

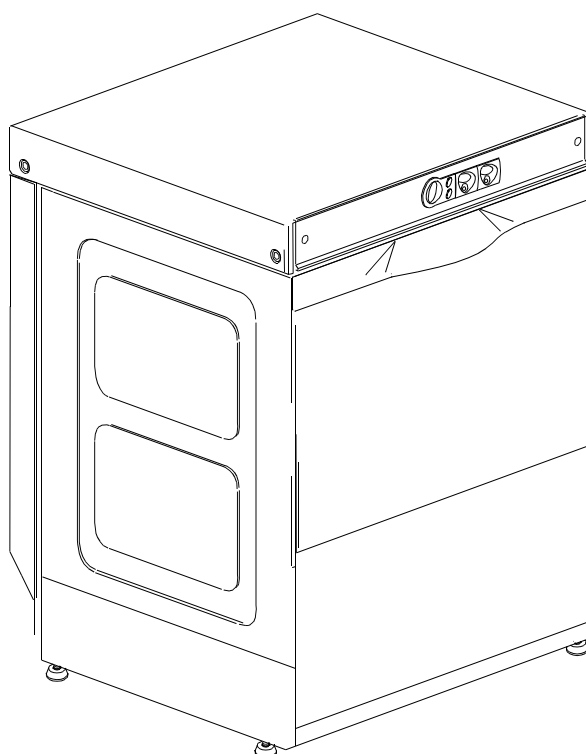
DISHWASHER

ELECTROMECHANICAL SWITCHES
LOWER WASHING

TYPE: 67U

Accessories
COLD RINSE
WATER SOFTNER
DETERGENT DISPENSER
DRAIN PUMP

Spare parts manual



S/N:

Valid from:..01/2003

Rev.: 1.0

1. Spare parts

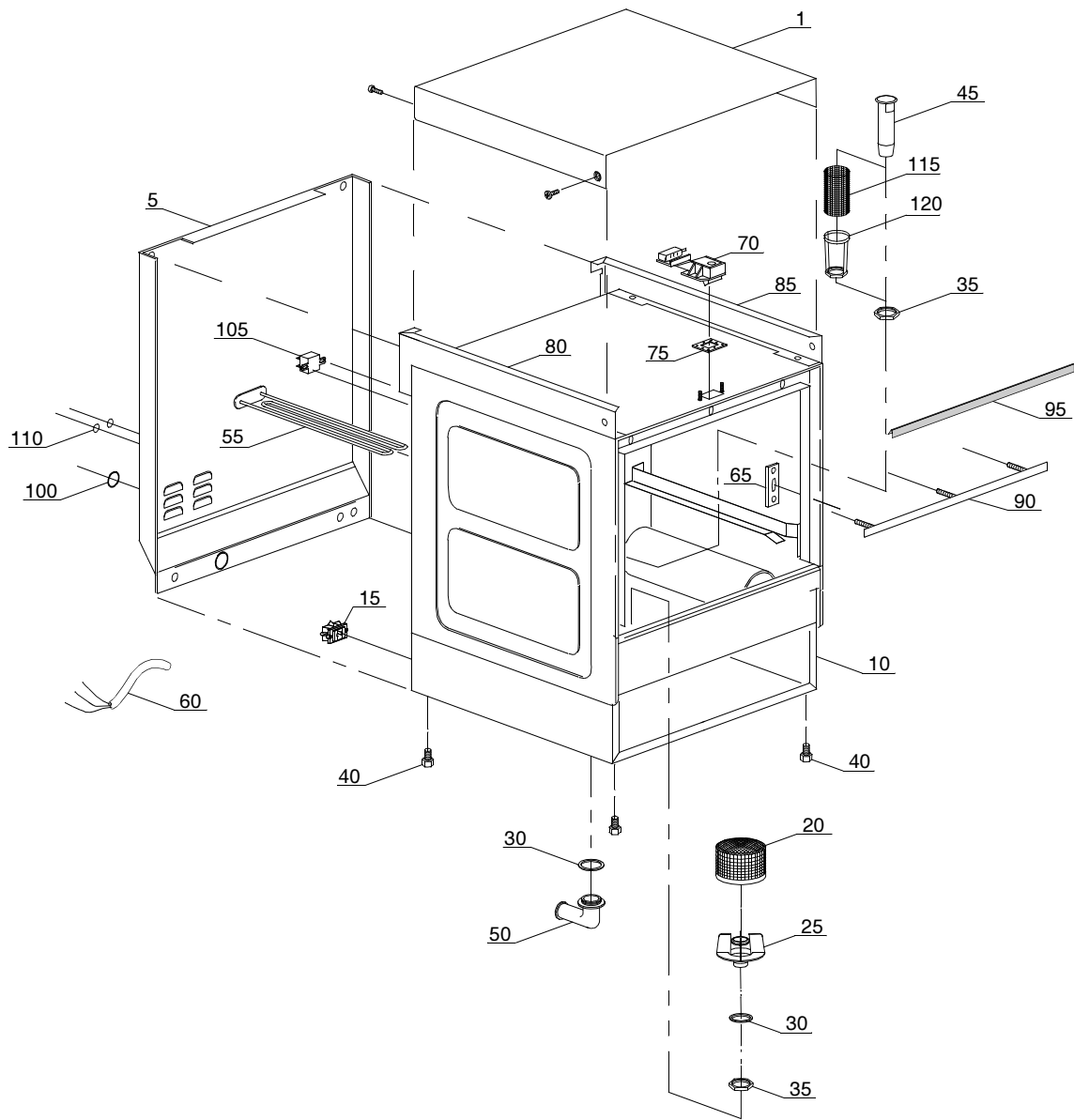
General body parts.....	7
Lockup system	9
Control panel	11
Control electric components.....	13
Solenoid valve group	15
Solenoid valve group	17
Water softner assembly	19
Shining product dosing device group .	21
Shining product dosing device group .	23
3 ways derivation.....	25
4 ways derivation	27
Wash pump	29
Dosing device group	31
Drain pump group.....	33
Pressure switch group with air trap ...	35
Turret group with rotating arms	37

1.1 Voltage codes

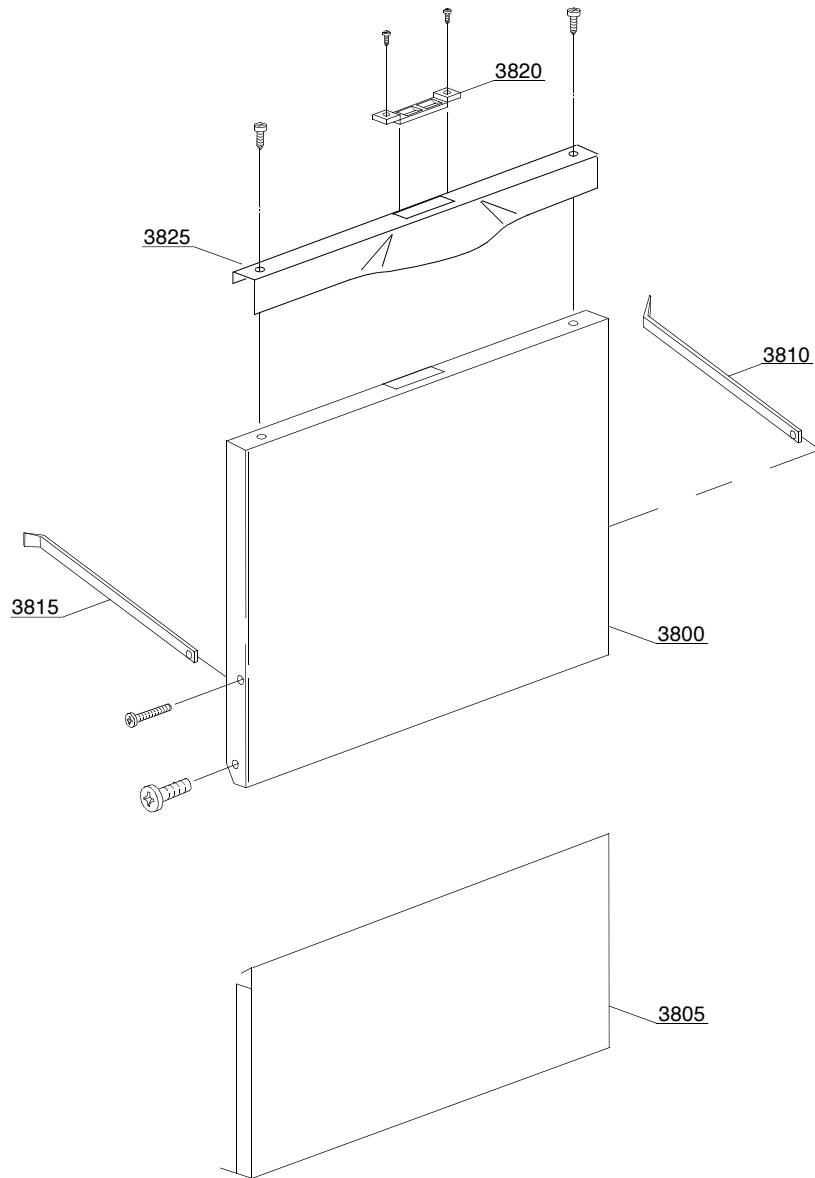
Voltage code	Voltage
A	3/N/PE~400/230V 50Hz
B	~250V 16A 50Hz
C	3/N/PE~380/220V 50Hz
D	3/PE~200V 50-60Hz
F	2/PE 220-240V 50Hz
G	3/N/PE~415/240V 50Hz
H	3/PE~230V 50Hz
I	3/PE~220V 60Hz
J	3/PE~380 50Hz
K	3/PE~400V 50Hz
L	3/PE~415V 50Hz
M	3/PE~440V 60Hz
N	3/PE~460V 60Hz
O	3/PE~480V 60Hz
P	1/N/PE~220-240V 50Hz
R	2/PE~220-230V 60Hz
S	3/N/PE~400/230V 50Hz
T	3/PE~230V 60Hz

1.2 Product codes

Product code	Full name
Model codes	
em	ELECTROMECHANICAL SWITCHES
cf	LOWER WASHING
Type codes	
67U	67U
Accessory codes	
fs	COLD RINSE
d	WATER SOFTNER
dde	DETERGENT DISPENSER
ps	DRAIN PUMP



01_005_e

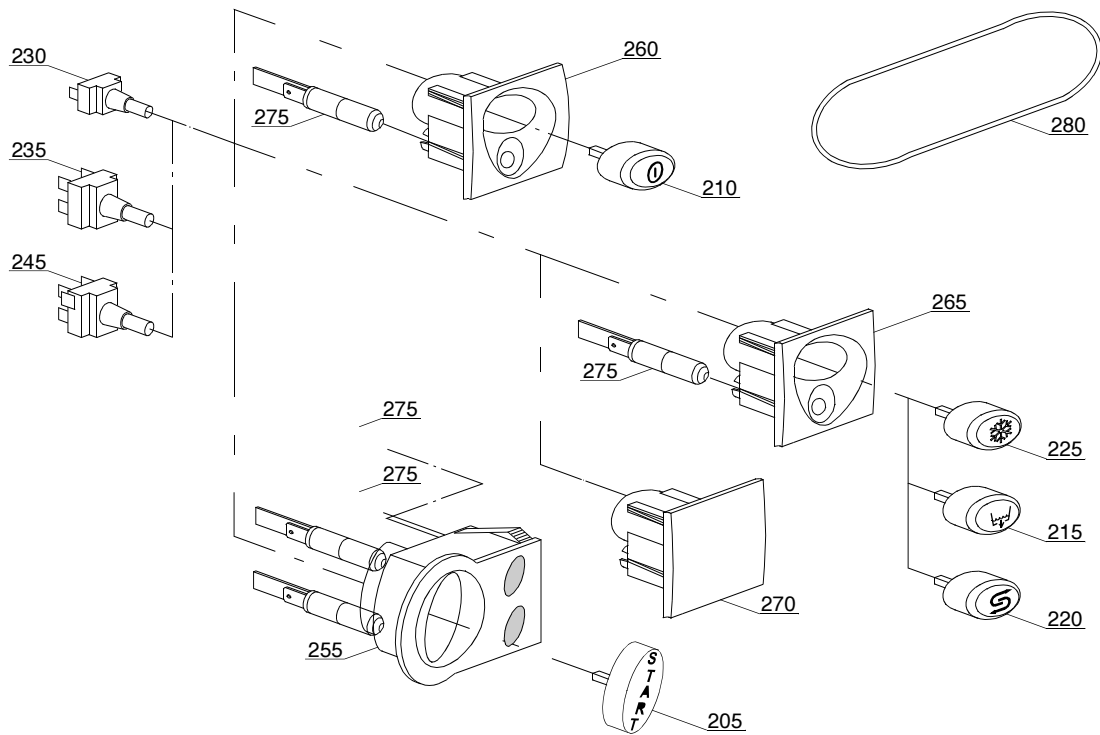
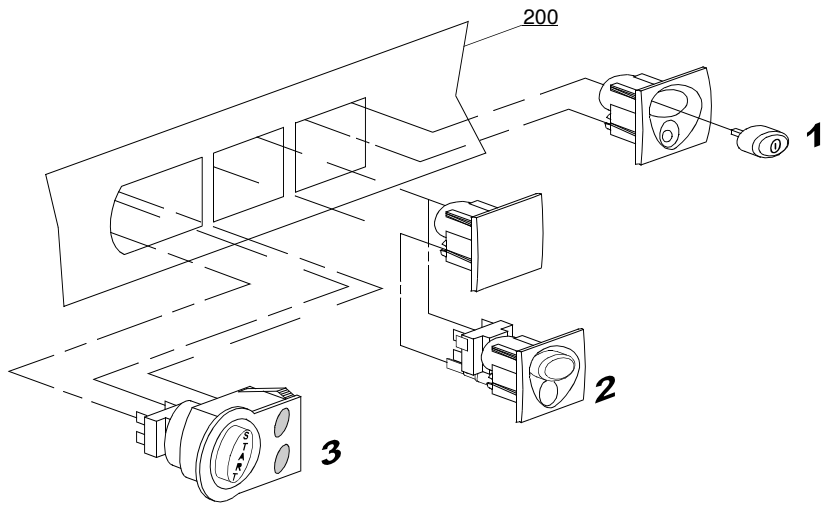


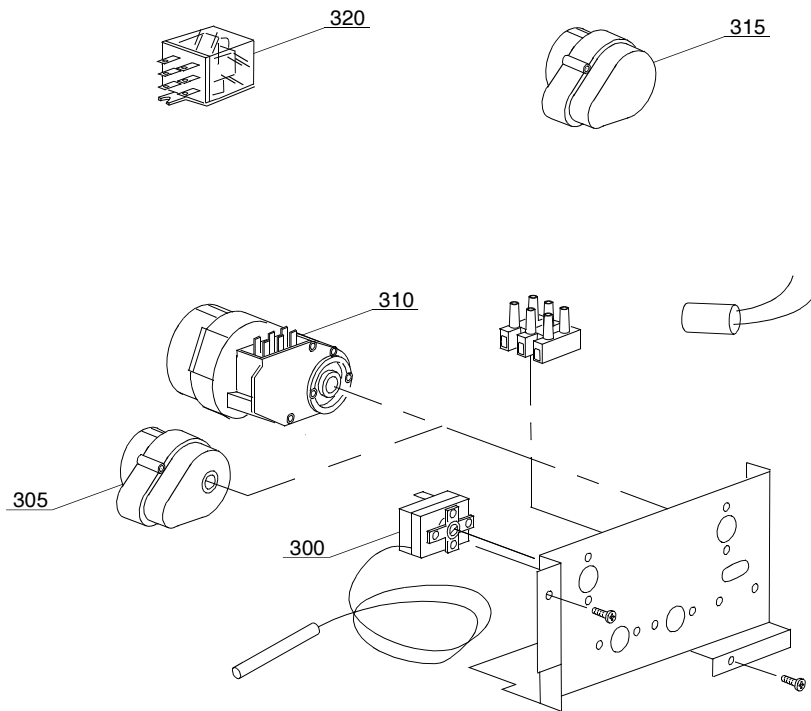
02_103_e

Spare parts

ID	P-code	Model	Type	Accessory	Voltage	Description
MODULE:Lockup system						
3800	250005		67U			Door
3805	250016		67U			Lower door
3810	250006		67U			Right door rod
3815	250007		67U			Left door rod
3820	150402/D		67U			Door jack
3825	250008		67U			Stainless steel handle

03_009_e

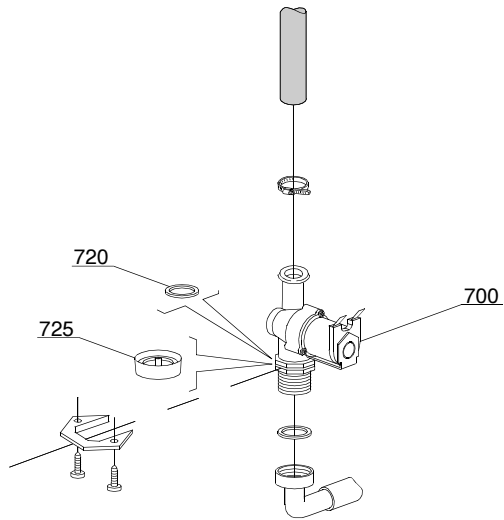




04_007_e

Spare parts

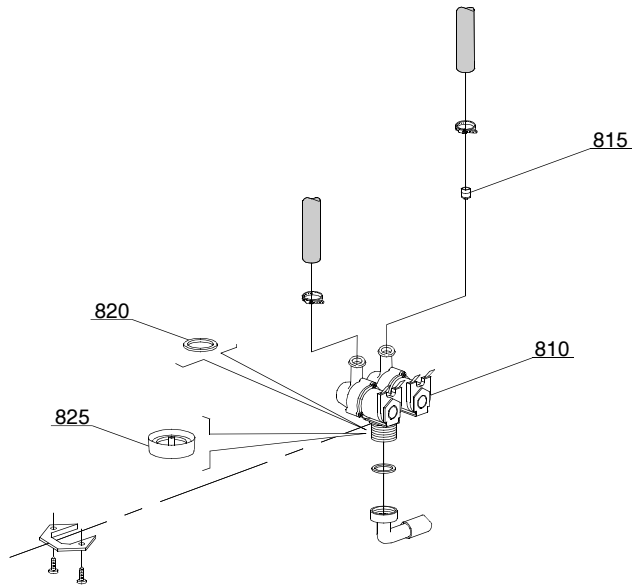
ID	P-code	Model	Type	Accessory	Voltage	Description
MODULE:Control electric components						
300	10707/1		67U			0-90°C thermostat
305	10708/L		67U			"120"" timer"
310	10708/B		67U			"120"" timer - 220Vac 60Hz"
310	10708/T		67U			"Timer 120"" with thermostop"
315	16064/A		67U	ws		Regeneration timer
320	15620		67U	dp		Bipolar relay in deviation



05_002_e

Spare parts

ID	P-code	Model	Type	Accessory	Voltage	Description
MODULE:Solenoid valve group						
700	10703		67U			Single solenoid valve
720	N.C.		67U			Pression reducing valve
725	15315		67U			Red pression reducing valve

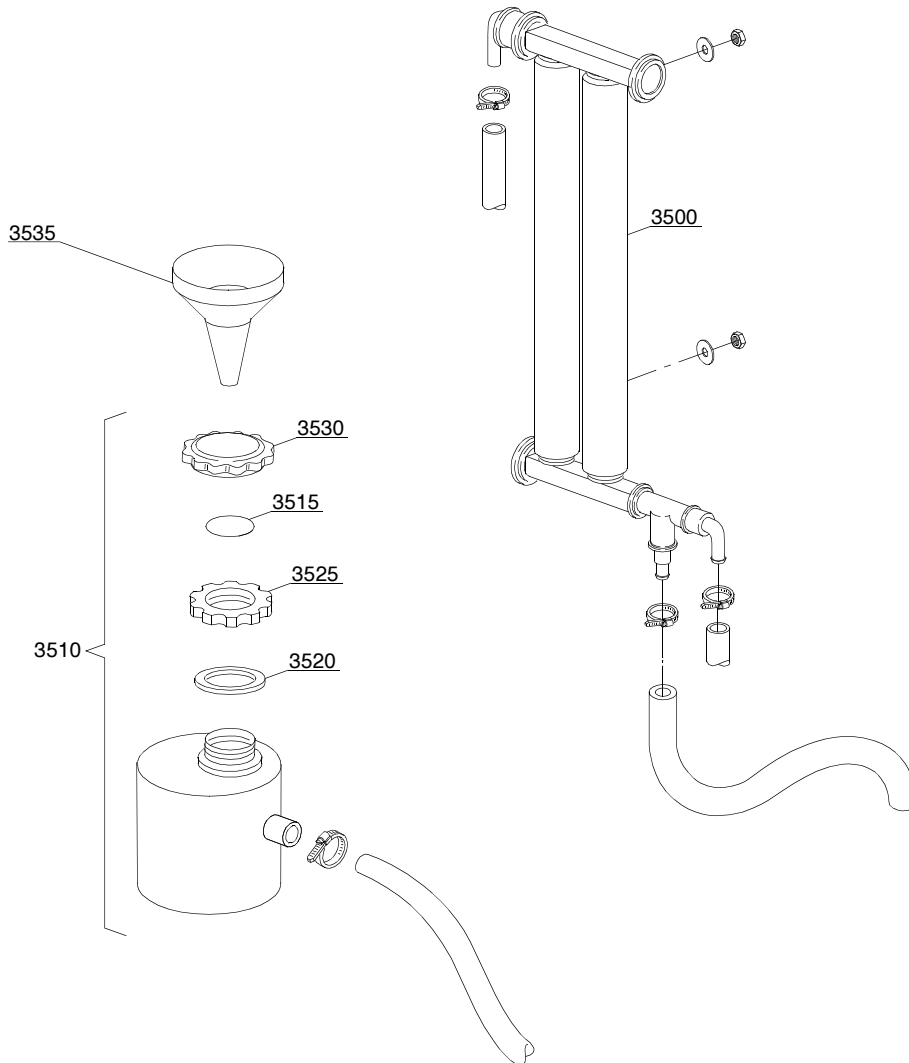


05_003_e

Spare parts

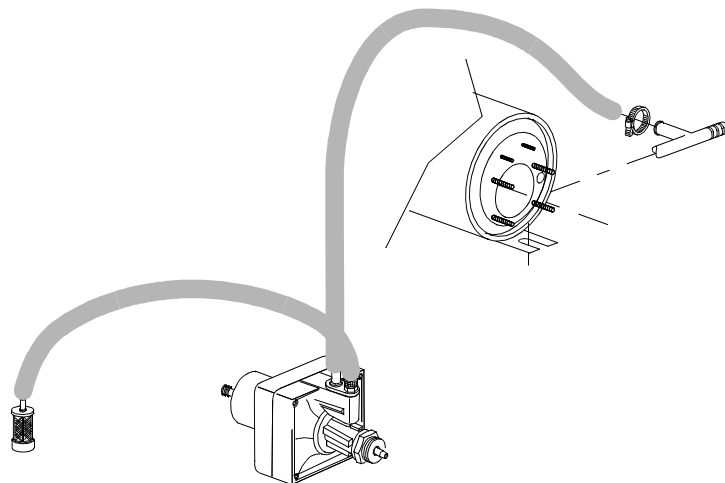
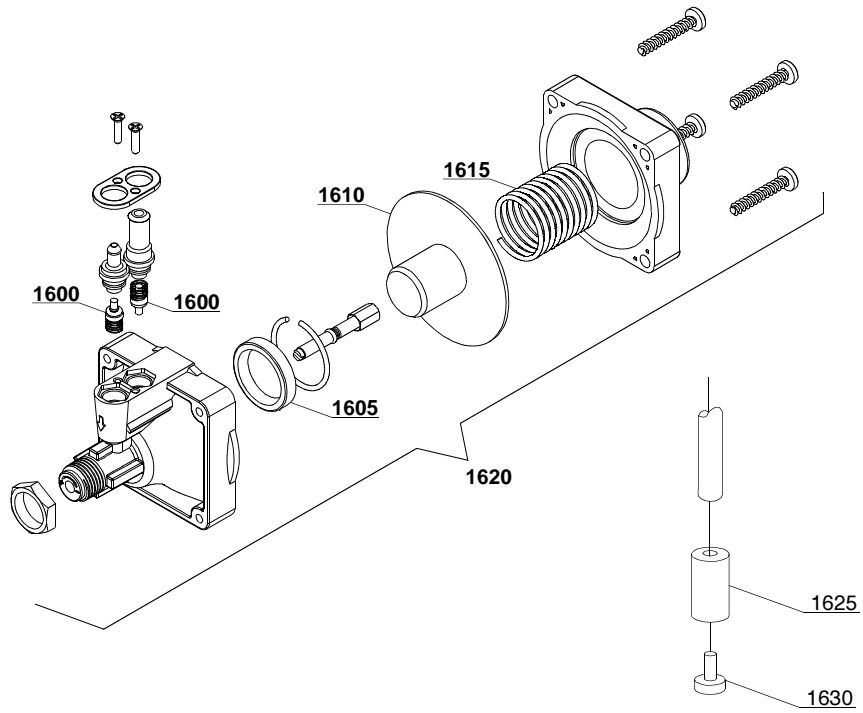
ID	P-code	Model	Type	Accessory	Voltage	Description
MODULE:Solenoid valve group						
810	15098		67U	cr,ws		Double solenoid valve - O10
815	15115		67U	cr,ws		Green pression solenoid valve
820	N.C.		67U	cr,ws		Pression reducing valve
825	15315		67U	cr,ws		Red pression reducing valve

09_004_e



Spare parts

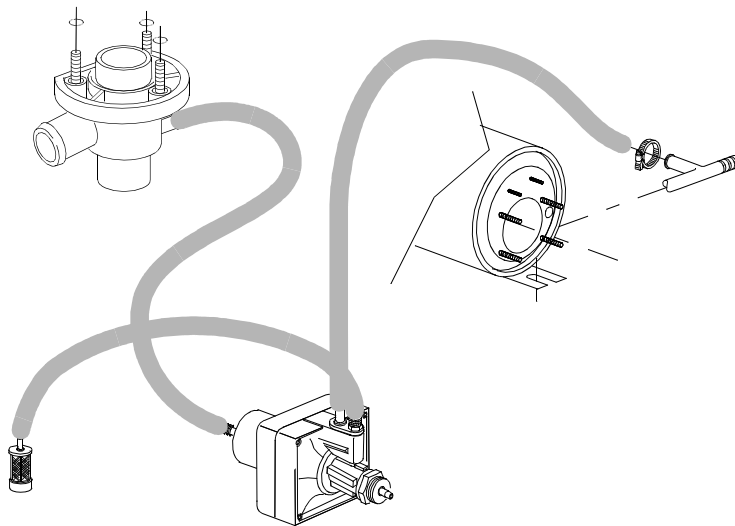
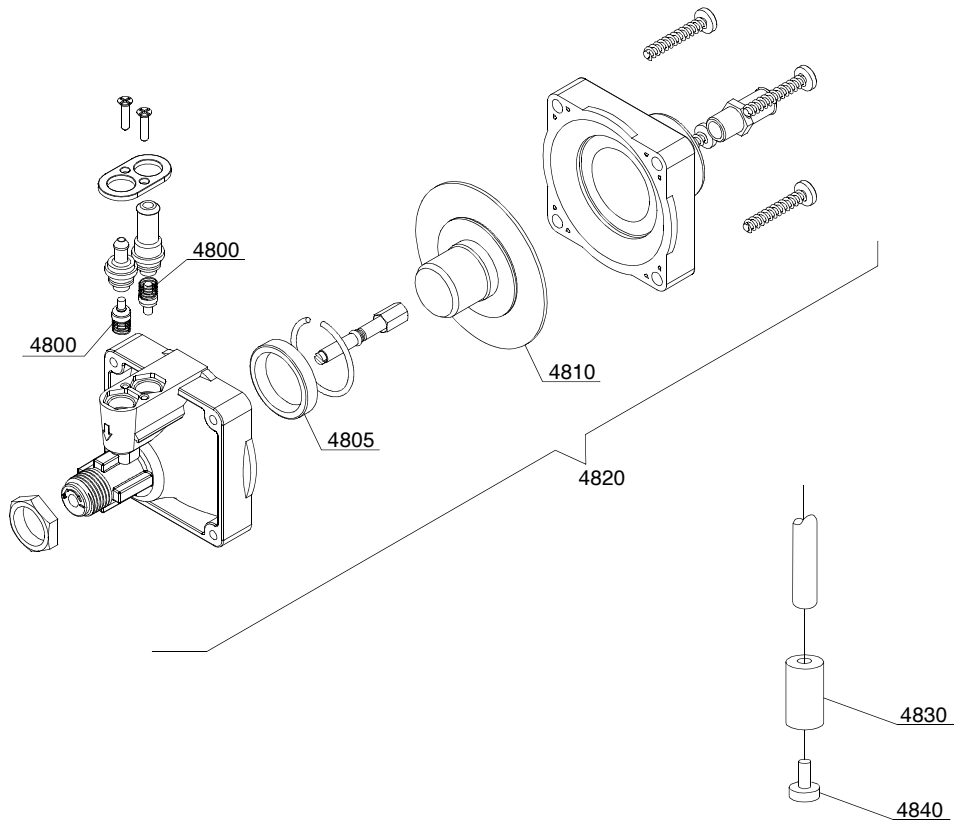
ID	P-code	Model	Type	Accessory	Voltage	Description
MODULE:Water softner assembly						
3500	16066/A		67U	ws		2 elements water softner
3510	16065		67U	ws		Salt container
3515	16067/A		67U	ws		OR gasket
3520	16067/B		67U	ws		Gasket
3525	16067/C		67U	ws		Ring nut
3530	16067/D		67U	ws		Plug
3535	16082		67U	ws		Funnel



10_003_e

Spare parts

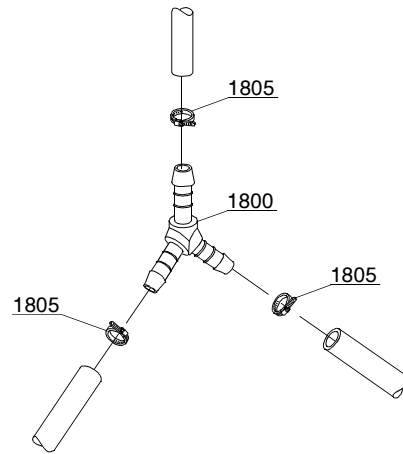
ID	P-code	Model	Type	Accessory	Voltage	Description
MODULE:Shining product dosing device group						
1600	10805		67U			Tecnopro dosing valve
1605	10806		67U			O22 gasket
1610	10807		67U			Membrane
1615	10808		67U			Spring
1620	10599999		67U			Shining product dosing device
1625	12525		67U			Counter-weight
1630	15058		67U			Small filter



10_004_e

Spare parts

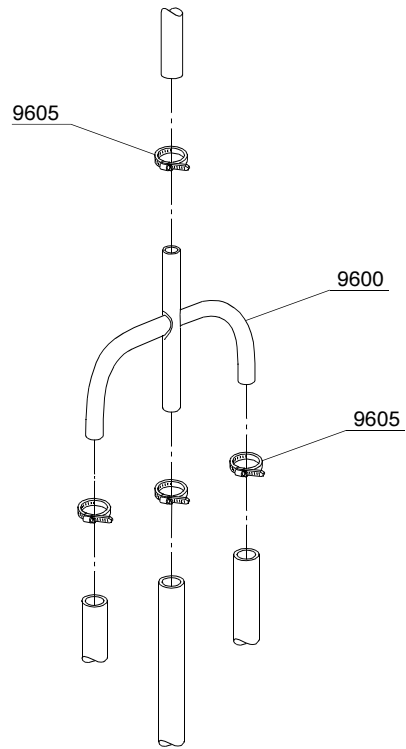
ID	P-code	Model	Type	Accessory	Voltage	Description
MODULE:Shining product dosing device group						
4800	10805		67U			Tecnopro dosing valve
4805	10806		67U			O22 gasket
4810	10807		67U			Membrane
4820	10799		67U			Shining product dosing device
4830	12525		67U			Counter-weight
4840	15058		67U			Small filter



12_003_e

Spare parts

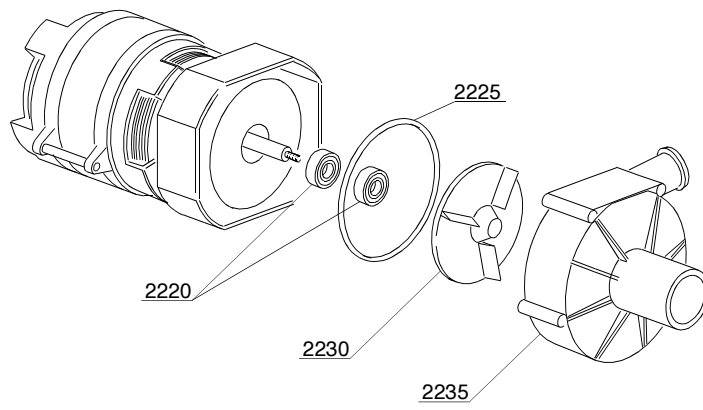
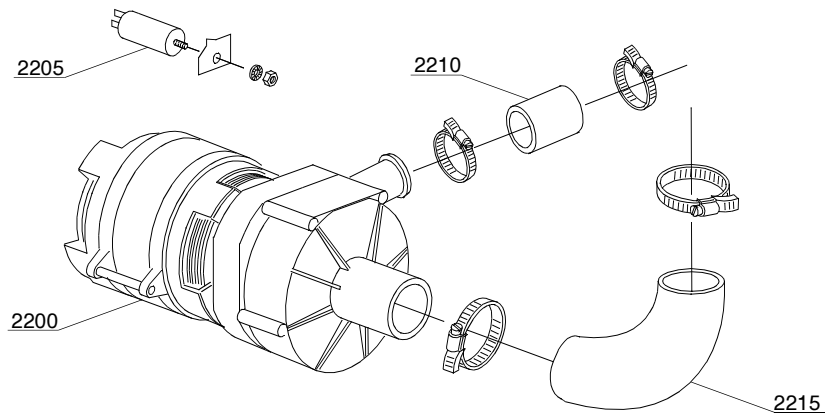
ID	P-code	Model	Type	Accessory	Voltage	Description
MODULE:3 ways derivation						
1800	540090		67U			O10 mm plastic 3 ways derivation
1805	11807		67U			12/22 clamp



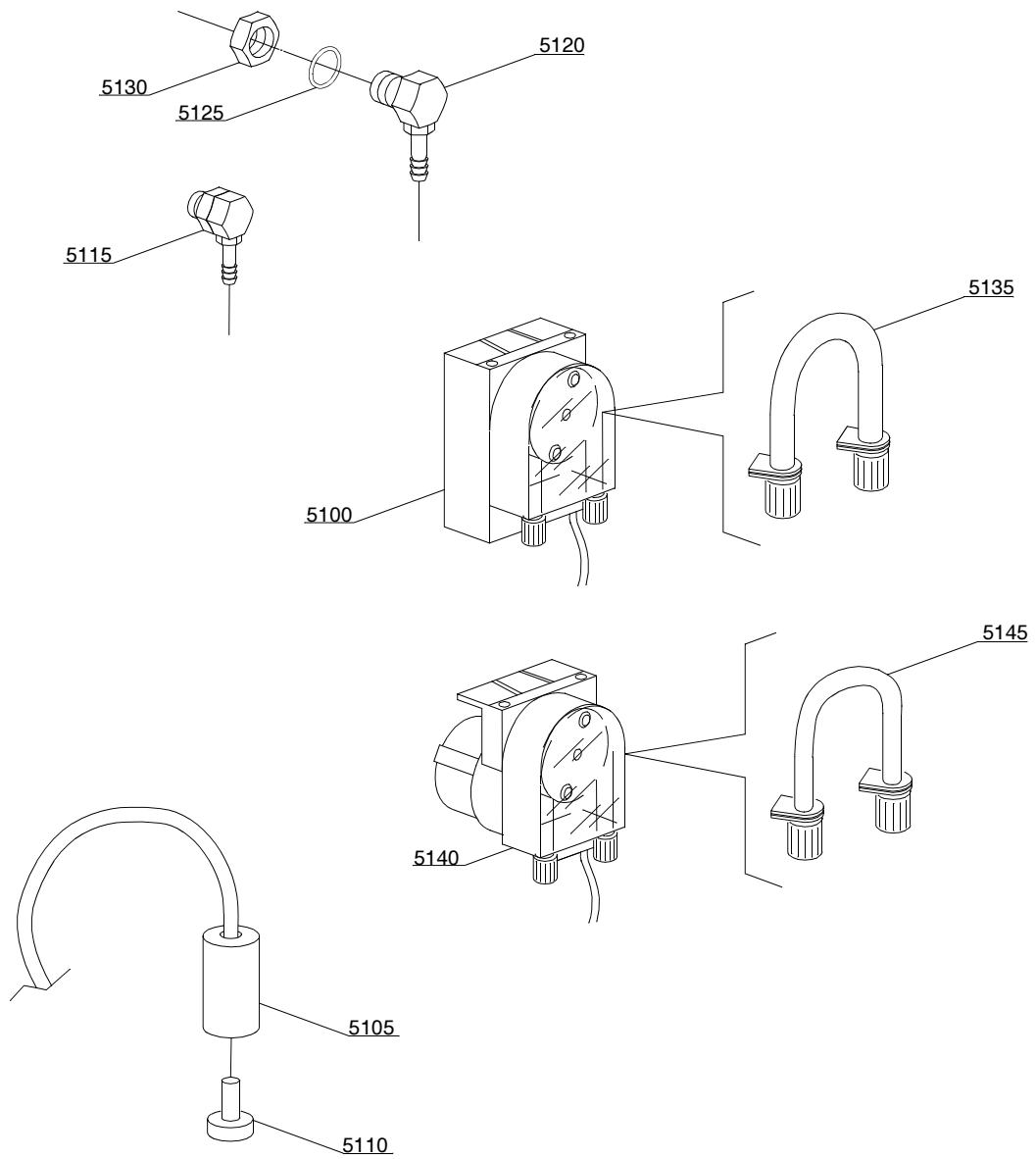
12_004_e

Spare parts

ID	P-code	Model	Type	Accessory	Voltage	Description
MODULE:4 ways derivation						
9600	15151		67U			O10 mm 4 ways derivation
9605	11807		67U			12/22 clamp



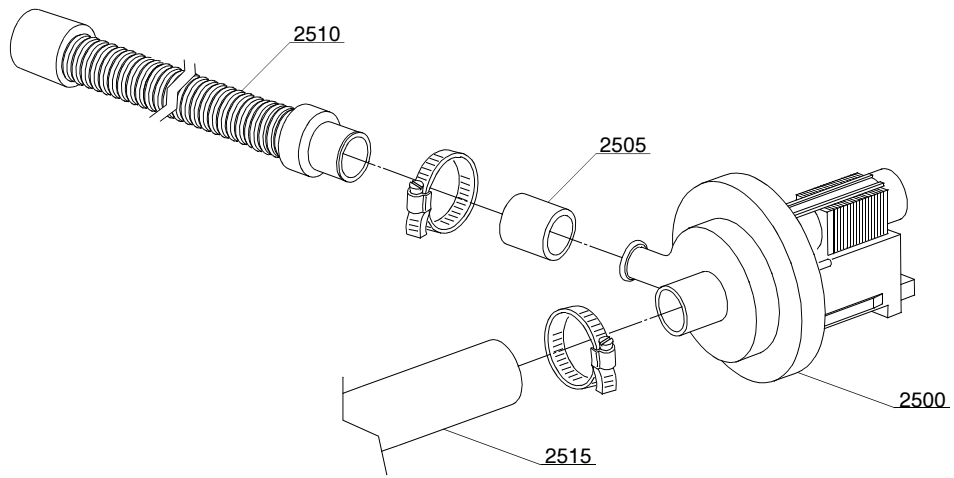
13_002_e



14_004_e

Spare parts

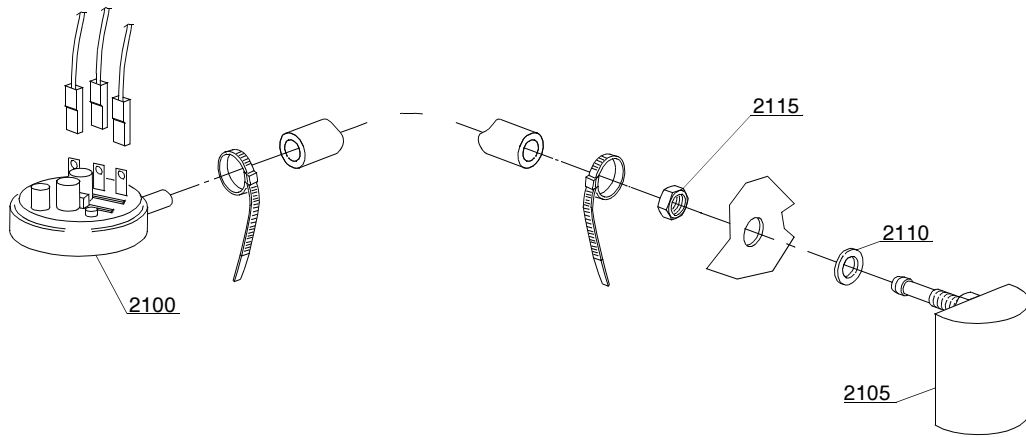
ID	P-code	Model	Type	Accessory	Voltage	Description
MODULE:Dosing device group						
5100	15985		67U	dd		Seko dosing device
5105	12525		67U	dd		Counter-weight
5110	15058		67U	dd		Small filter
5115	15123		67U	dd		Complet plastic injector
5120	15148		67U	dd		Steel injector
5125	15159		67U	dd		OR gasket
5130	10200205		67U	dd		M12x1 stainless steel nut
5135	15185		67U	dd		Seko thermoplastic pipe
5140	15985		67U	dd		Germac dosing device
5145	15108/E		67U	dd		Germac thermoplastic pipe



15_004_e

Spare parts

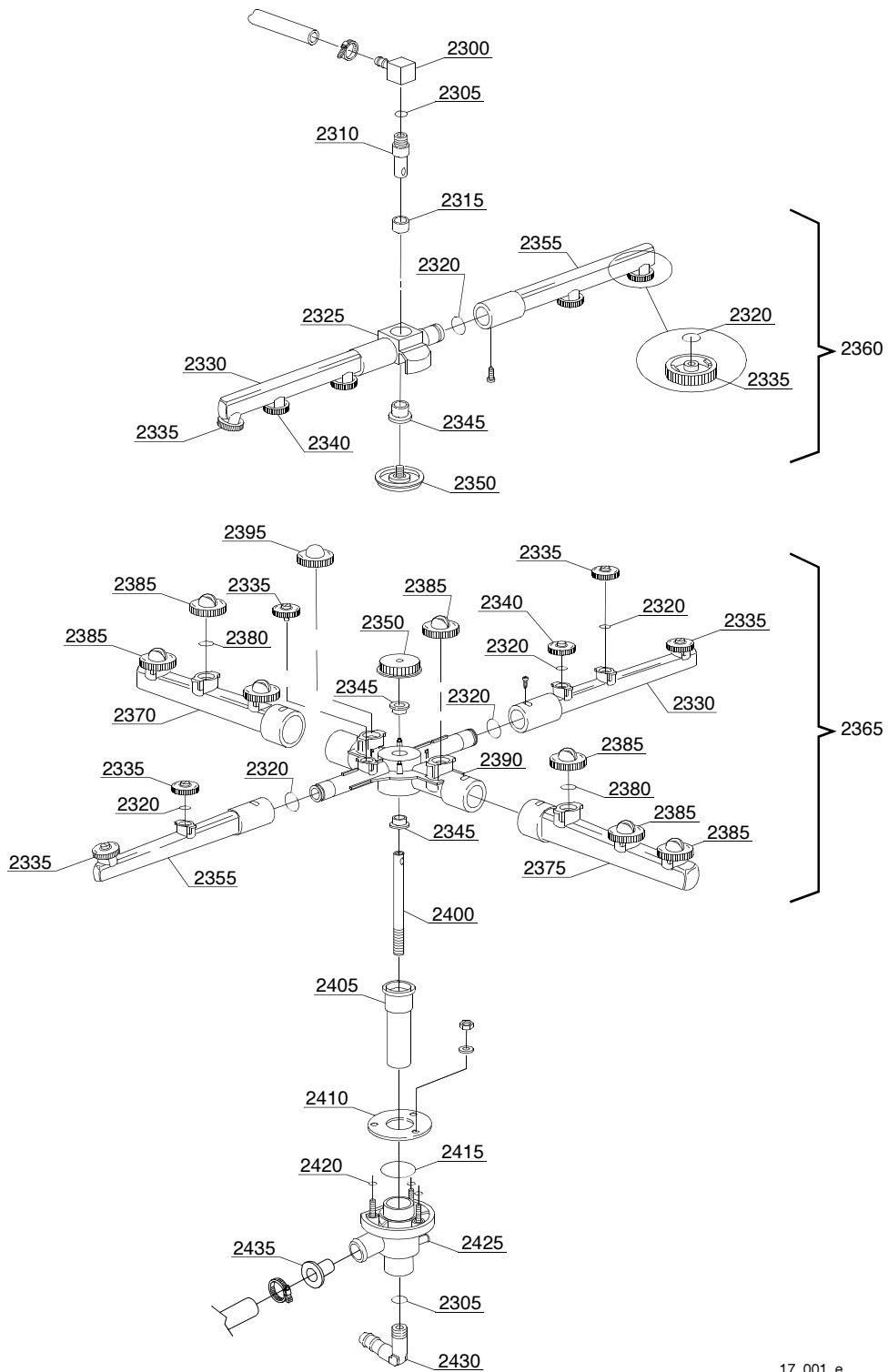
ID	P-code	Model	Type	Accessory	Voltage	Description
MODULE:Drain pump group						
2500	15101		67U	dp		Drain pump
2505	15101/D		67U	dp		Pipe fitting
2510	10727		67U	dp		Drain pipe
2515	10718		67U	dp		Drain coude/pump connection pipe



16_001_e

Spare parts

ID	P-code	Model	Type	Accessory	Voltage	Description
MODULE:Pressure switch group with air trap						
2100	10706/A		67U			47-27 pressure switch
2105	10911/C		67U			Air trap assembly
2110	13301		67U			Gasket
2115	11702		67U			M8 stainless steel nut



17_001_e

