

DISHWASHER

ELECTROMECHANICAL SWITCHES
LOWER AND UPPER WASHING

TYPE: 66U

Accessories

BREAK TANK

BOOSTER PUMP

DVGW

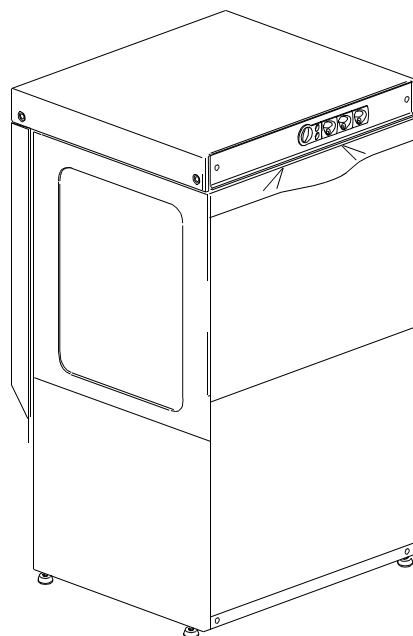
COLD RINSE

WATER SOFTNER

DETERGENT DISPENSER

DRAIN PUMP

Spare parts manual



1. Spare parts

General body parts.....	7
Lockup system	9
Control panel	11
Control electric components.....	13
Solenoid valve group	15
Solenoid valve group	17
Break Tank	19
DVGW	21
Water softner group.....	23
Shining product dosing device group .	25
Boiler group	27
3 ways derivation.....	29
Wash pump	31
Dosing device group	33
Drain pump group.....	35
Pressure switch group with air trap ...	37

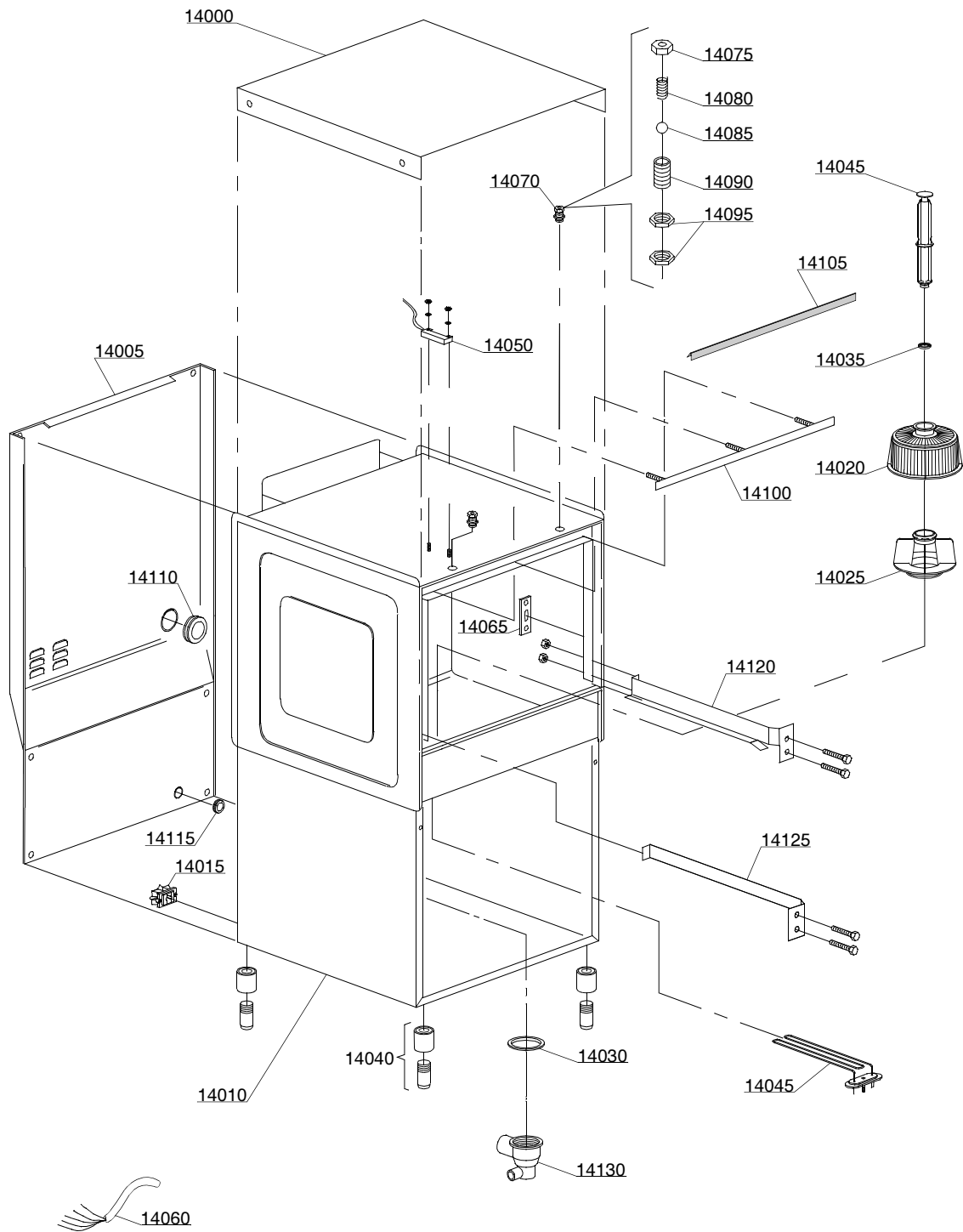
Turret group with rotating arms39

1.1 Voltage codes

Voltage code	Voltage
A	3/N/PE~400/230V 50Hz
B	~250V 16A 50Hz
C	3/N/PE~380/220V 50Hz
D	3/PE~200V 50-60Hz
F	2/PE 220-240V 50Hz
G	3/N/PE~415/240V 50Hz
H	3/PE~230V 50Hz
I	3/PE~220V 60Hz
J	3/PE~380 50Hz
K	3/PE~400V 50Hz
L	3/PE~415V 50Hz
M	3/PE~440V 60Hz
N	3/PE~460V 60Hz
O	3/PE~480V 60Hz
P	1/N/PE~220-240V 50Hz
R	2/PE~220-230V 60Hz
S	3/N/PE~400/230V 50Hz
T	3/PE~230V 60Hz

1.2 Product codes

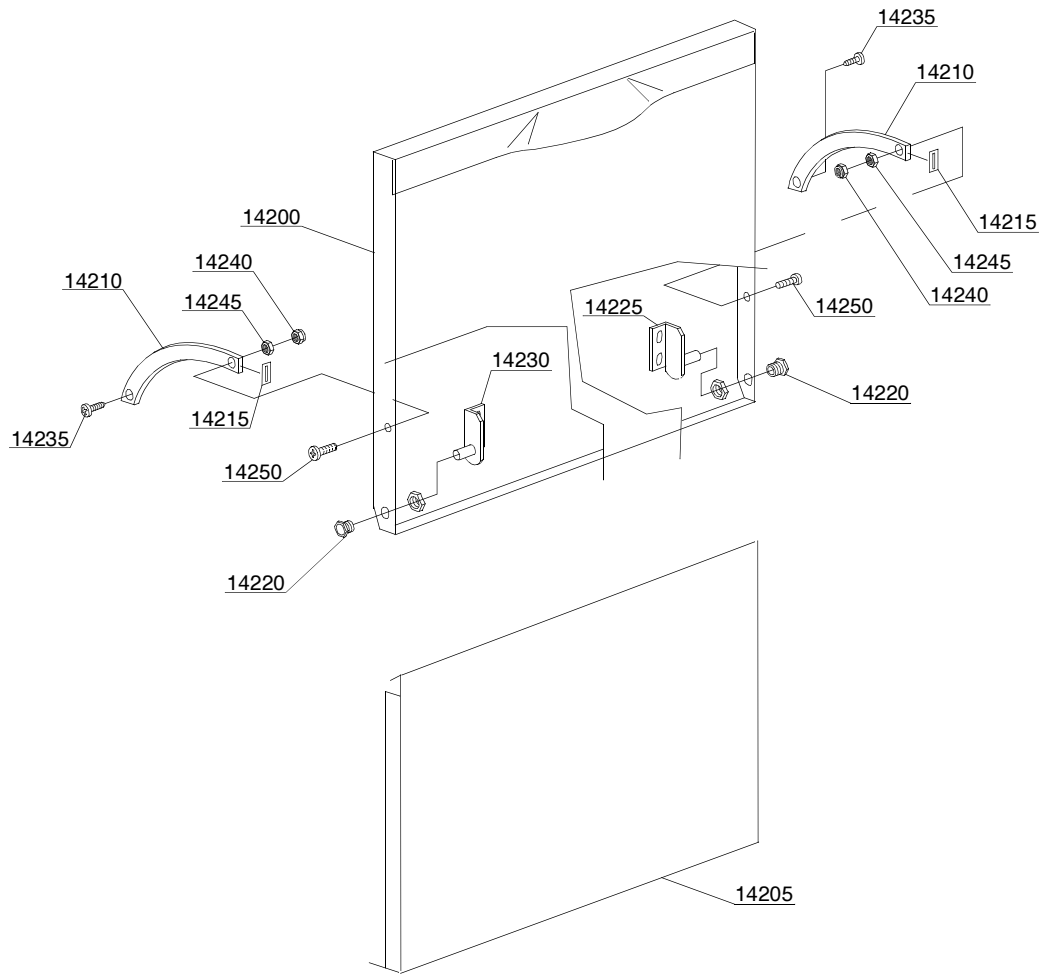
Product code	Full name
Model codes	
em	ELECTROMECHANICAL SWITCHES
ls	LOWER AND UPPER WASHING
Type codes	
66U	66U
Accessory codes	
bt	BREAK TANK
pap	BOOSTER PUMP
dvgw	DVGW
fs	COLD RINSE
d	WATER SOFTNER
dde	DETERGENT DISPENSER
ps	DRAIN PUMP



01_016_e

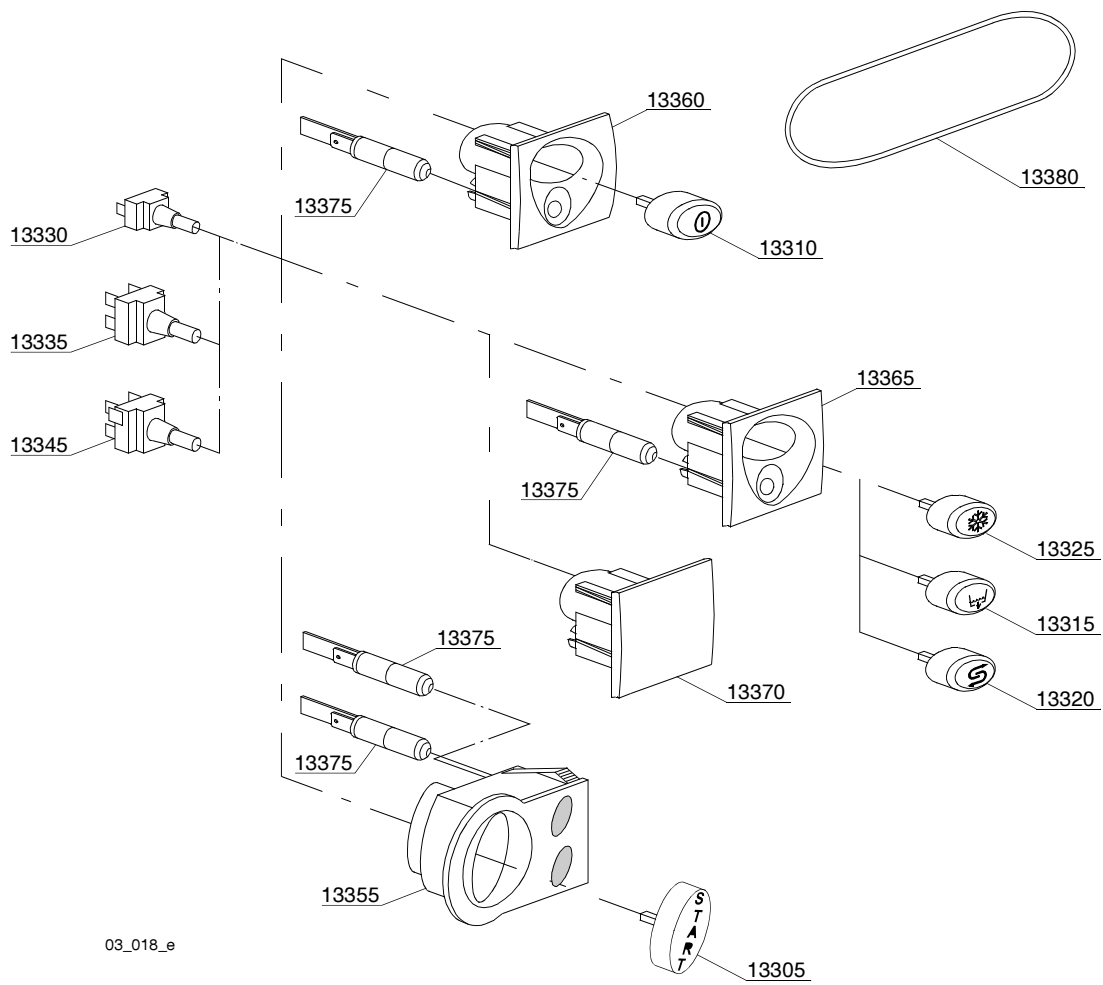
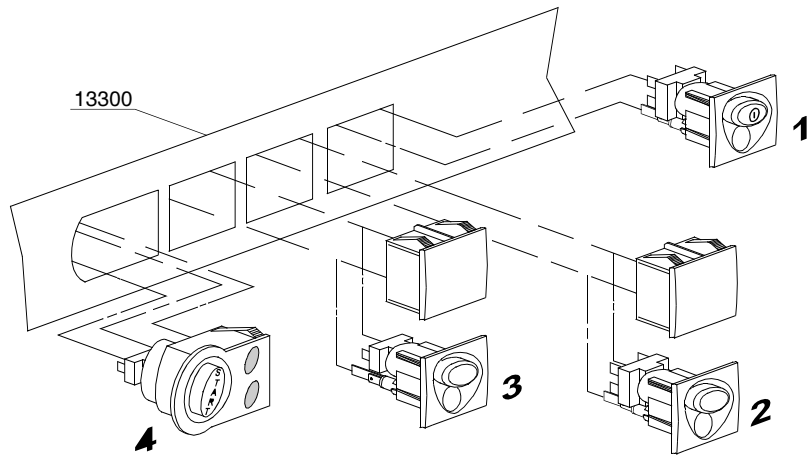
Spare parts

ID	P-code	Model	Type	Accessory	Voltage	Description
MODULE:General body parts						
14000	500904		66U			Cover
14005	152600		66U			Back panel
14010	152900		66U			Body
14015	15065/A		66U			Cable-fastener with screw
14020	500616		66U			Suction filter
14025	500615		66U			Ferrule with filter
14030	80208		66U			95x75x3 gasket
14035	13021		66U			DEM 40 gasket
14040	15116		66U			Foot
14045	500618		66U			Overflow pipe
14050	10778		66U			Reed magnet
14055	150047		66U			2,7KW heating element
14060	15118		66U			5x2,5x2500 cable
14065	150401		66U			Door rod slide
14070	10775		66U			Door jack assembly
14075	10802		66U			Door jack locknut
14080	10777		66U			Spring for door hook
14085	10776		66U			Sphere
14090	10803		66U			Door jack body
14095	10801		66U			Door jack nut
14100	150921		66U			Door gasket angular
14105	135202		66U			Door gasket
14110	13317		66U			Ø40mm fairlead
14115	13323		66U			Ø13mm fairlead
14120	150114/A		66U			Right internal slide
14125	150114/B		66U			Left internal slide
14130	500606		66U			Right side scrap tray



02_113_e

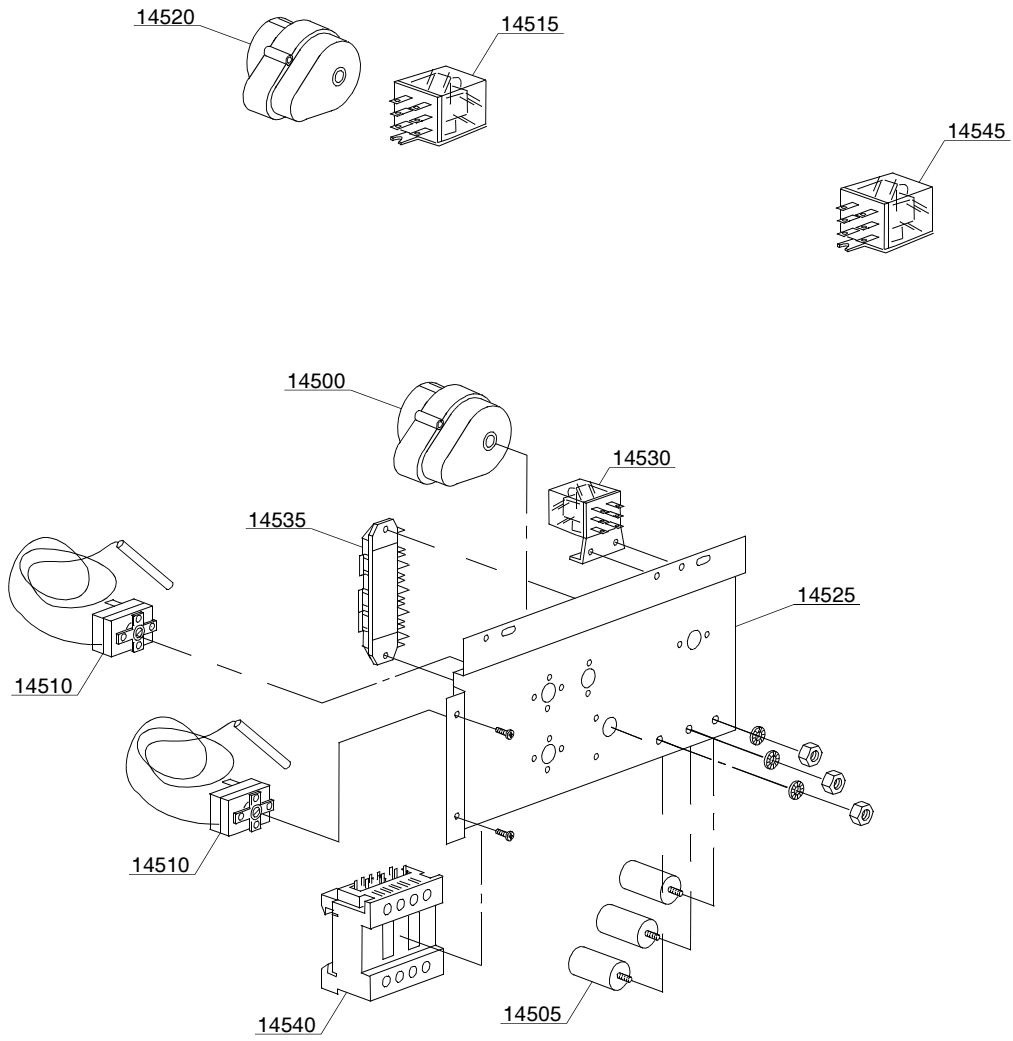
ID	P-code	Model	Type	Accessory	Voltage	Description
MODULE:Lockup system						
14200	152906		66U			Door
14205	152604		66U			Lower door
14210	150221		66U			Right/left door rod
14215	135222		66U			Hinge door seal
14220	11835/A		66U			Brass bush
14225	150210		66U			Right hinge door
14230	150211		66U			Left hinge door
14235	11212		66U			Self-tapping screw
14240	11721		66U			M6 self-locking nut
14245	11706		66U			M6 stainless steel nut
14250	11111		66U			Stainless steel screw



03_018_e

Spare parts

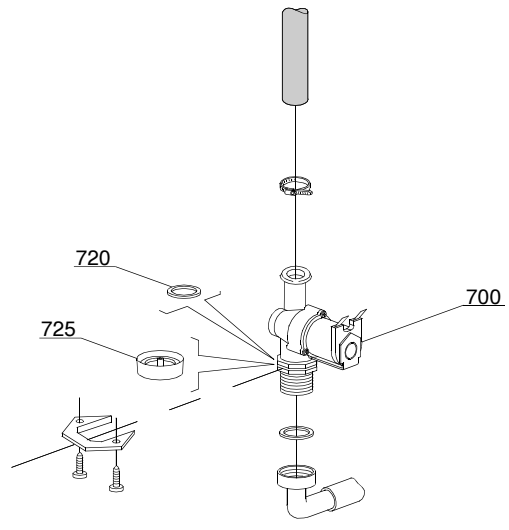
ID	P-code	Model	Type	Accessory	Voltage	Description
MODULE:Control panel						
13300	500936		66U			Control panel GS 85
13305	89347		66U			Start key
13310	89340		66U			ON-OFF key
13315	89343		66U	dp		Drain pump key
13320	89345		66U	ws		Regeneration key
13325	89344		66U	cr		Hot/cold key
13330	15813		66U			16A unipolar push button
13335	15812		66U			16A switch
13335	15800		66U			16A bipolar push button
13345	15811		66U			16A bipolar switch
13345	15811/A		66U			16A bipolar switch push button
13355	89301		66U			Start key support
13360	89304		66U			Key support
13365	89302		66U	dp,ws,cr		Key support
13370	89303		66U			Closed support
13375	15826		66U			Pilot light
13380	89333		66U			OR gasket



04_014_e

Spare parts

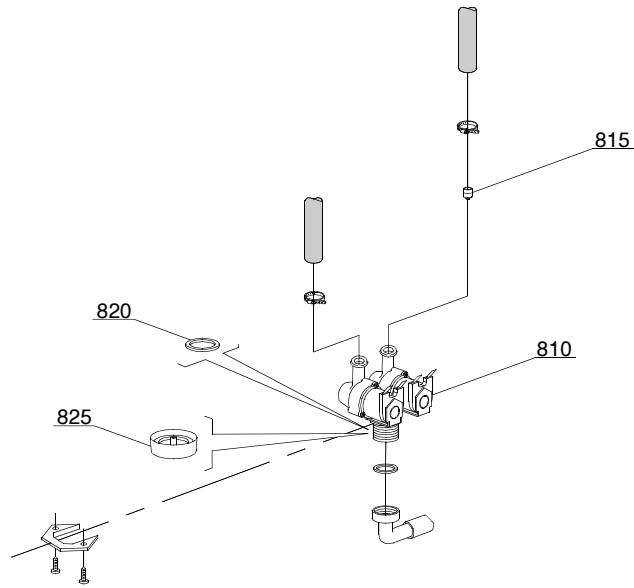
ID	P-code	Model	Type	Accessory	Voltage	Description
MODULE:Control electric components						
14500	10708/N		66U		A	"90"" timer with thermostop"
14505	15149		66U			Low noise filter
14510	10707/1		66U			0-90°C thermostat
14515	16037/D		66U	ws		16A bipolar relay
14520	16064/A		66U	ws		Regeneration timer
14525	150201		66U			Electric components panel
14530	15620		66U			Bipolar relay in deviation
14535	500551		66U			6 poles terminal board
14540	15086		66U			Remote control switch 230V 50/60Hz 4C
14545	16047		66U	dp		16A tripolar relay



05_002_e

Spare parts

ID	P-code	Model	Type	Accessory	Voltage	Description
MODULE:Solenoid valve group						
700	10703		66U			Single solenoid valve
720	N.C.		66U			Pression reducing valve
725	15115		66U			Green pression solenoid valve

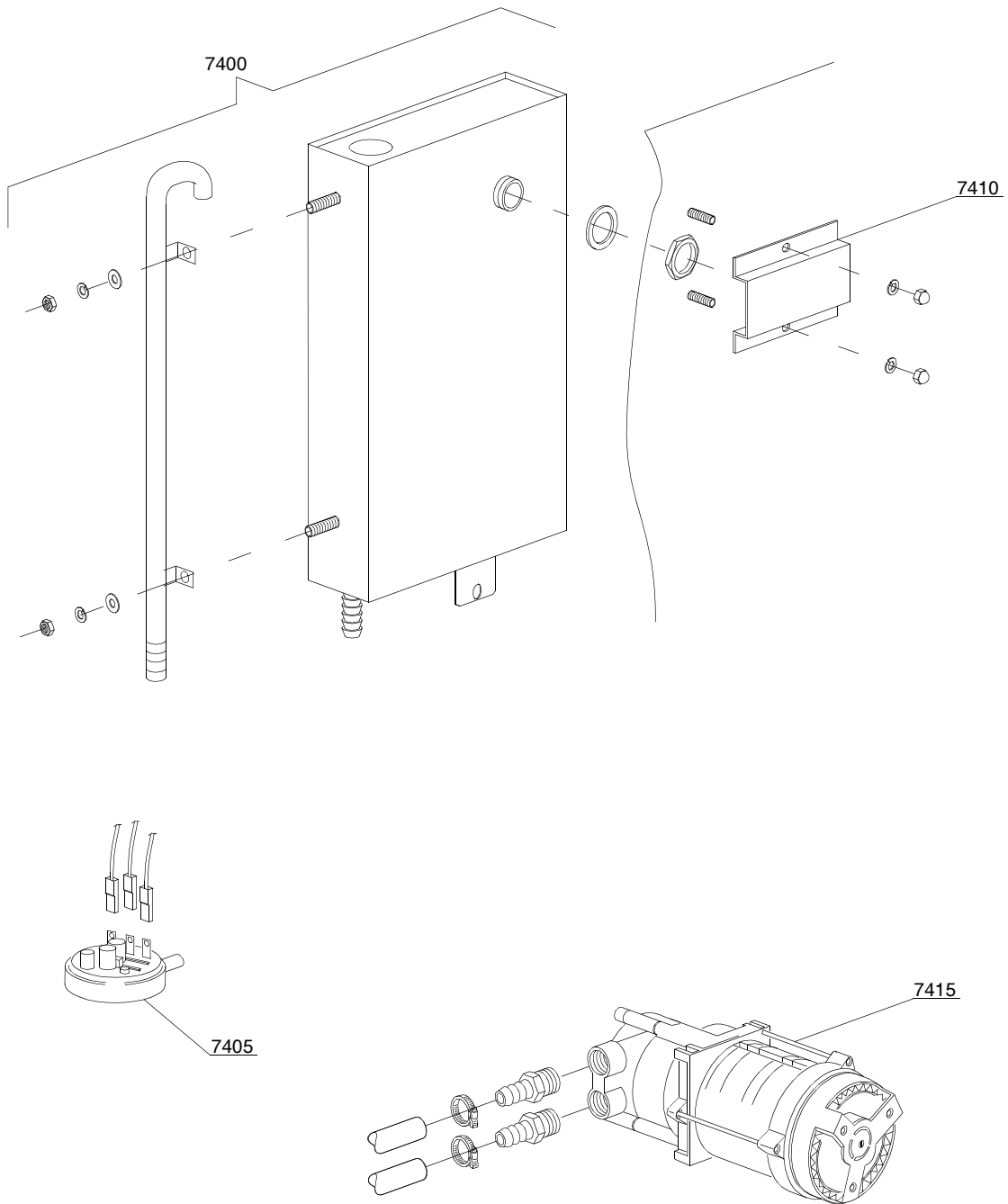


05_003_e

Spare parts

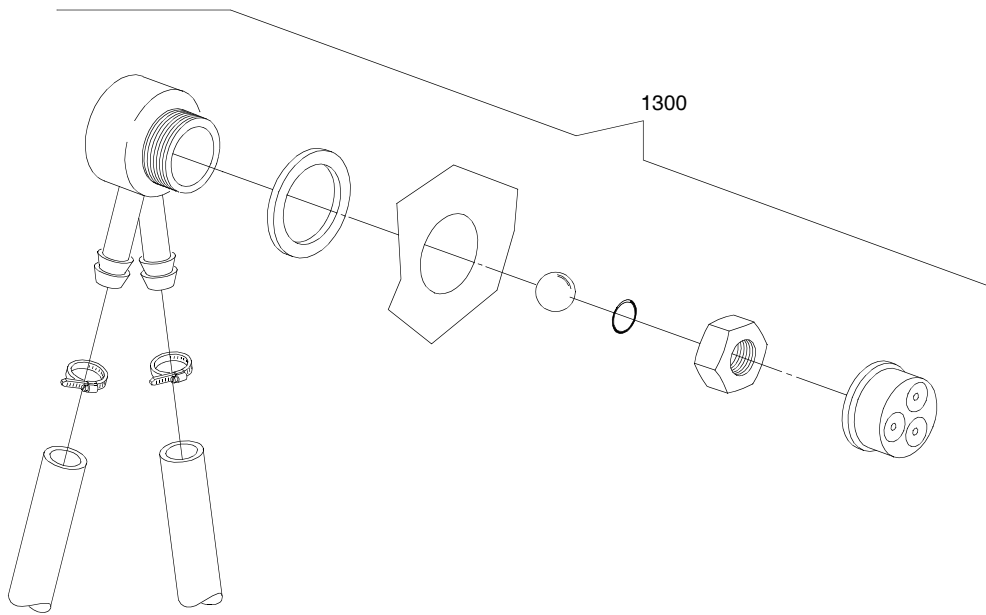
ID	P-code	Model	Type	Accessory	Voltage	Description
MODULE:Solenoid valve group						
810	15098		66U	cr,ws		Double solenoid valve - Ø10
815	15115		66U	cr,ws		Green pression solenoid valve
820	N.C.		66U	cr,ws		Pression reducing valve

06_002_e



Spare parts

ID	P-code	Model	Type	Accessory	Voltage	Description
MODULE:Break Tank						
7400	15735		66U	bt		Break tank assembly
7405	10706/A		66U	bt		47-27 pressure switch
7410	15738		66U	bt		Hole protection
7415	15100/D		66U	bt		Booster pump

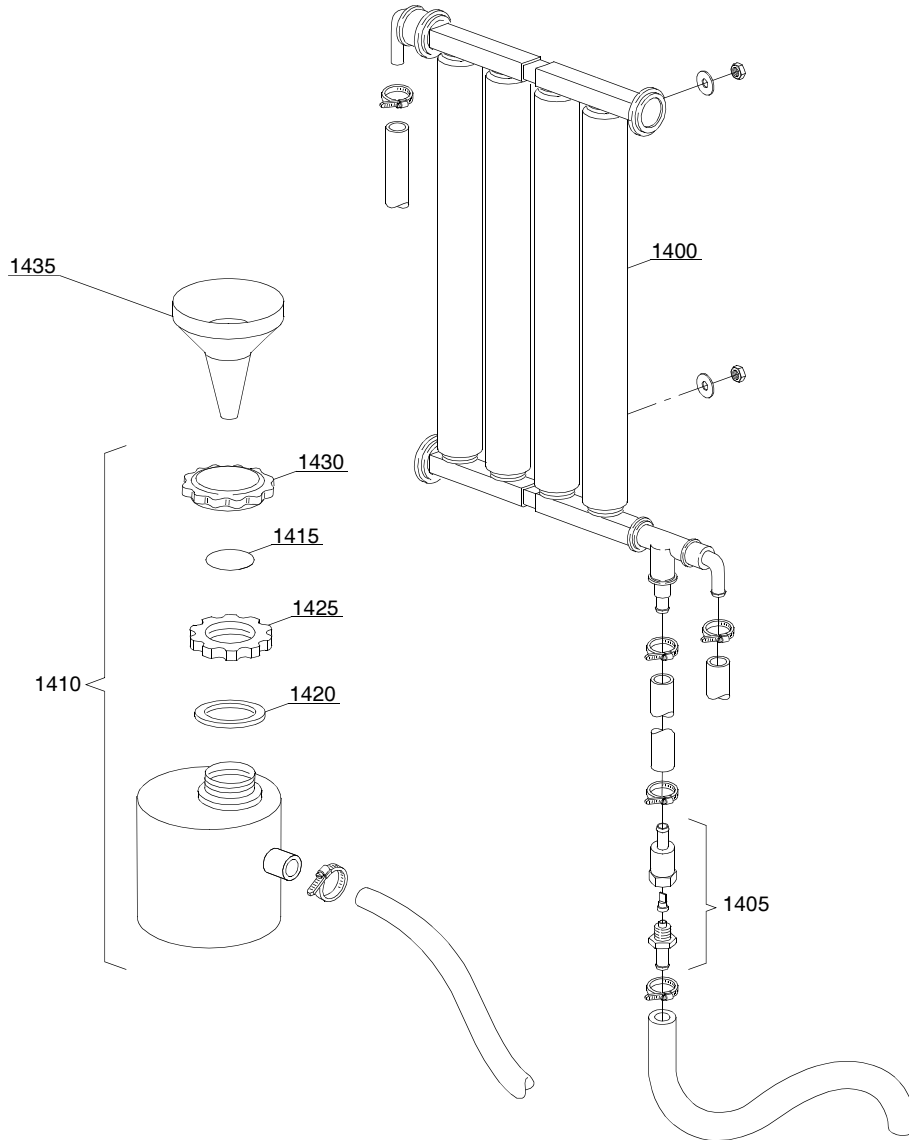


08_005_e

Spare parts

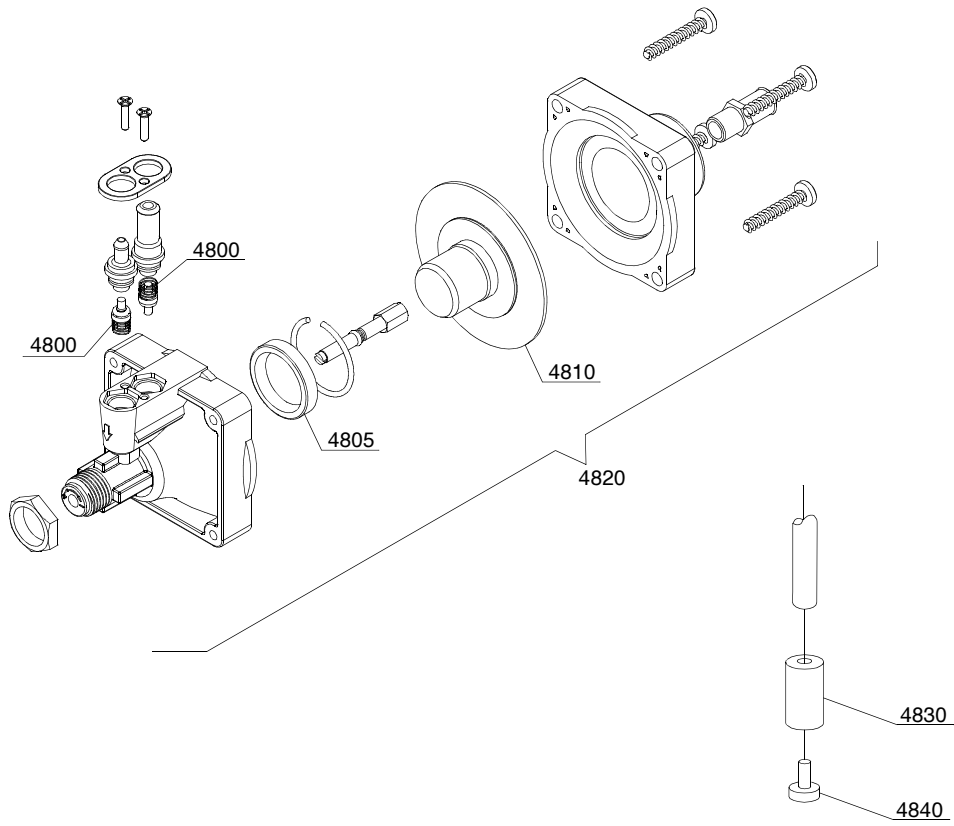
ID	P-code	Model	Type	Accessory	Voltage	Description
MODULE:DVGW						
1300	999900006		66U	dvgw		DVGW assembly

09_001_e



Spare parts

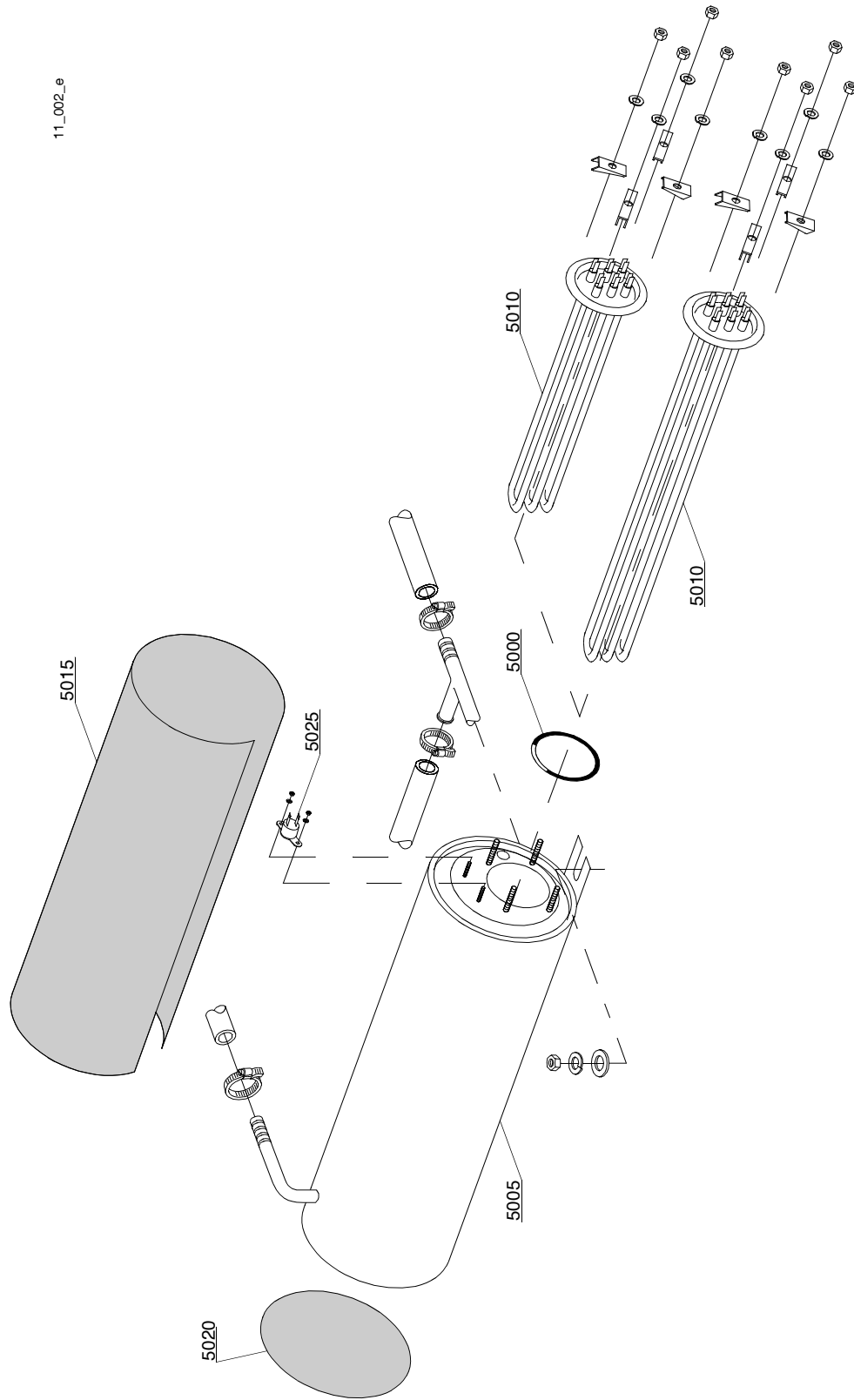
ID	P-code	Model	Type	Accessory	Voltage	Description
MODULE:Water softner group						
1400	16066		66U	ws		4 elements water softner
1405	16070		66U	ws		Nonreturn valve
1410	16065		66U	ws		Salt container
1415	16067/A		66U	ws		OR gasket
1420	16067/B		66U	ws		Gasket
1425	16067/C		66U	ws		Ring nut
1430	16067/D		66U	ws		Plug
1435	16082		66U	ws		Funnel



10_004_e

Spare parts

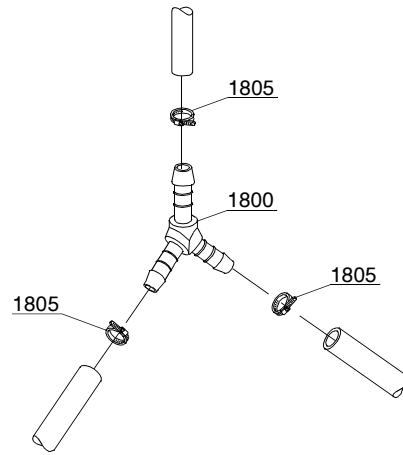
ID	P-code	Model	Type	Accessory	Voltage	Description
MODULE:Shining product dosing device group						
4800	10805		66U			Tecnopro dosing valve
4805	10806		66U			Ø22 gasket
4810	10807		66U			Membrane
4820	10799		66U			Shining product dosing device
4830	12525		66U			Counter-weight
4840	15058		66U			Small filter



11_002_e

Spare parts

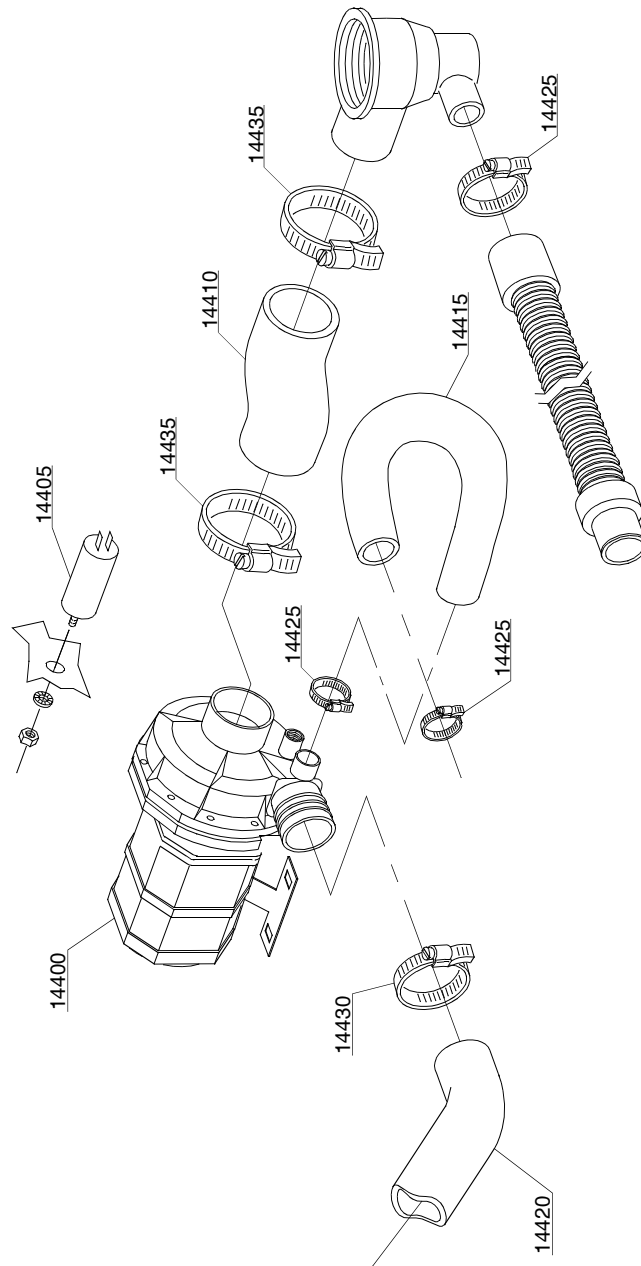
ID	P-code	Model	Type	Accessory	Voltage	Description
MODULE:Boiler group						
5000	13005		66U			OR 151 NBR gasket
5005	150905		66U			Boiler
5010	15089		66U			4,5KW heating element
5010	15089/E		66U			6KW - 230V heating element
5010	15046		66U			3KW heating element
5015	15066		66U			Insulating boiler
5020	15205		66U			Ø160 bottom
5025	15550		66U			Safety thermostat



12_003_e

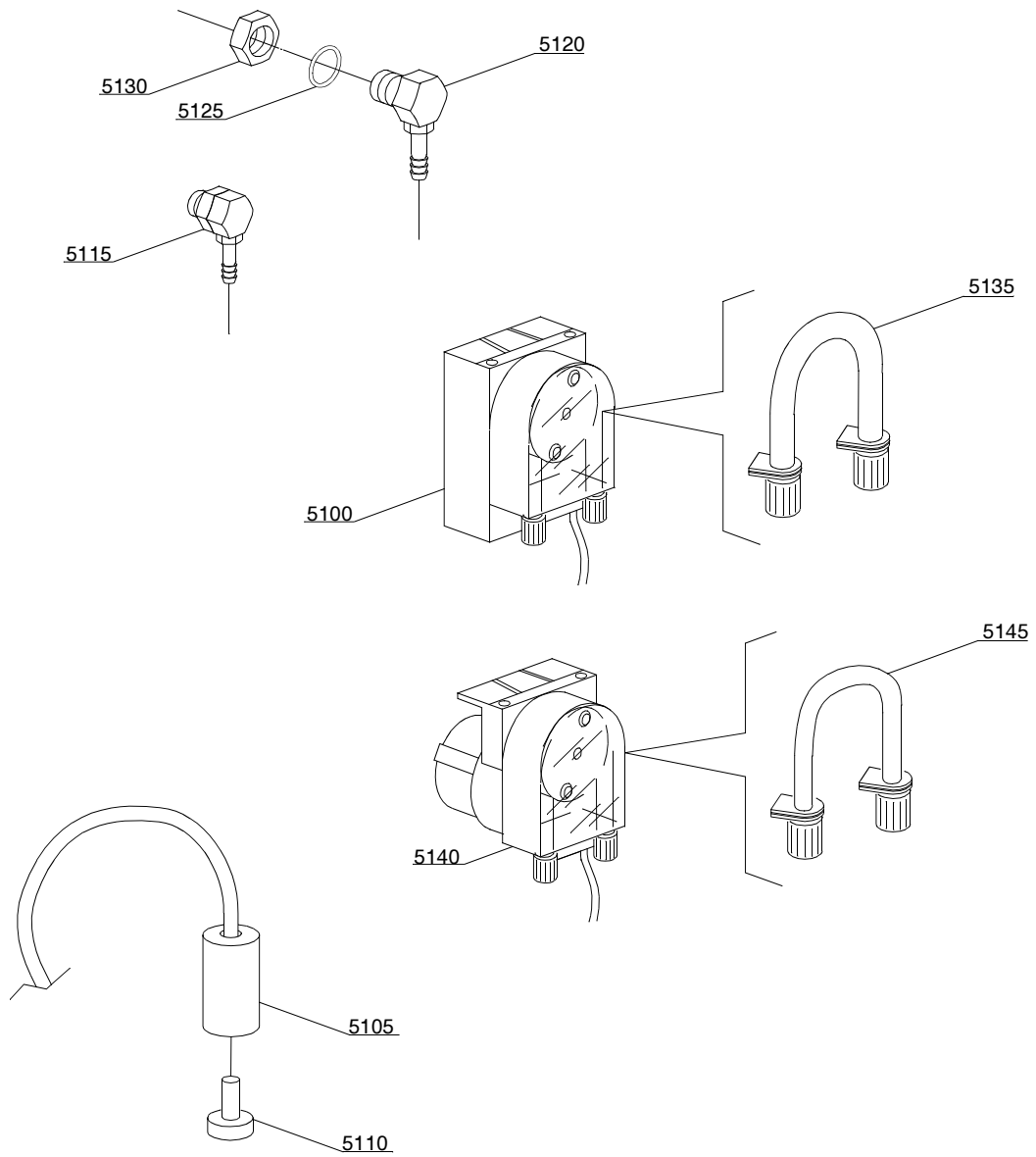
Spare parts

ID	P-code	Model	Type	Accessory	Voltage	Description
MODULE:3 ways derivation						
1800	540091		66U			Ø12 mm plastic 3 ways derivation
1805	11807		66U			12/22 clamp



13_111_e

ID	P-code	Model	Type	Accessory	Voltage	Description
MODULE:Wash pump						
14400	15913		66U			1,2Hp wash pump
14405	15081		66U			12,5 uF condenser
14410	25032		66U			Suction pipe coupling
14415	150049		66U			Lower wash pipe coupling
14420	560008		66U			Top delivery pipe
14425	11806		66U			25/40 clamp
14430	11810		66U			40/60 clamp
14435	11824		66U			50/70 clamp

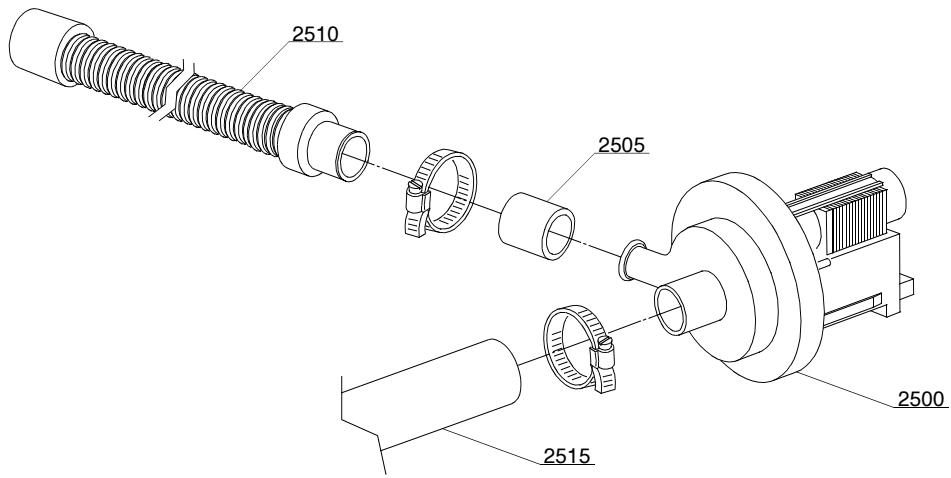


14_004_e

Spare parts

ID	P-code	Model	Type	Accessory	Voltage	Description
MODULE:Dosing device group						
5100	15985		66U	dd		Seko dosing device
5105	12525		66U	dd		Counter-weight
5110	15058		66U	dd		Small filter
5115	15123		66U	dd		Compleat plastic injector
5120	15148		66U	dd		Steel injector
5125	15159		66U	dd		OR gasket
5130	10200205		66U	dd		M12x1 stainless steel nut
5135	15185		66U	dd		Seko thermoplastic pipe
5140	15985		66U	dd		Germac dosing device
5145	15108/E		66U	dd		Germac thermoplastic pipe

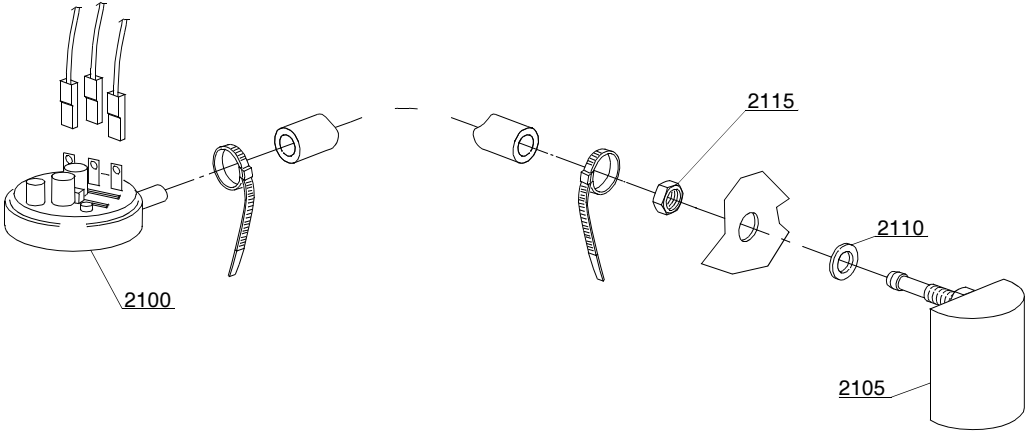
Spare parts



15_004_e

Spare parts

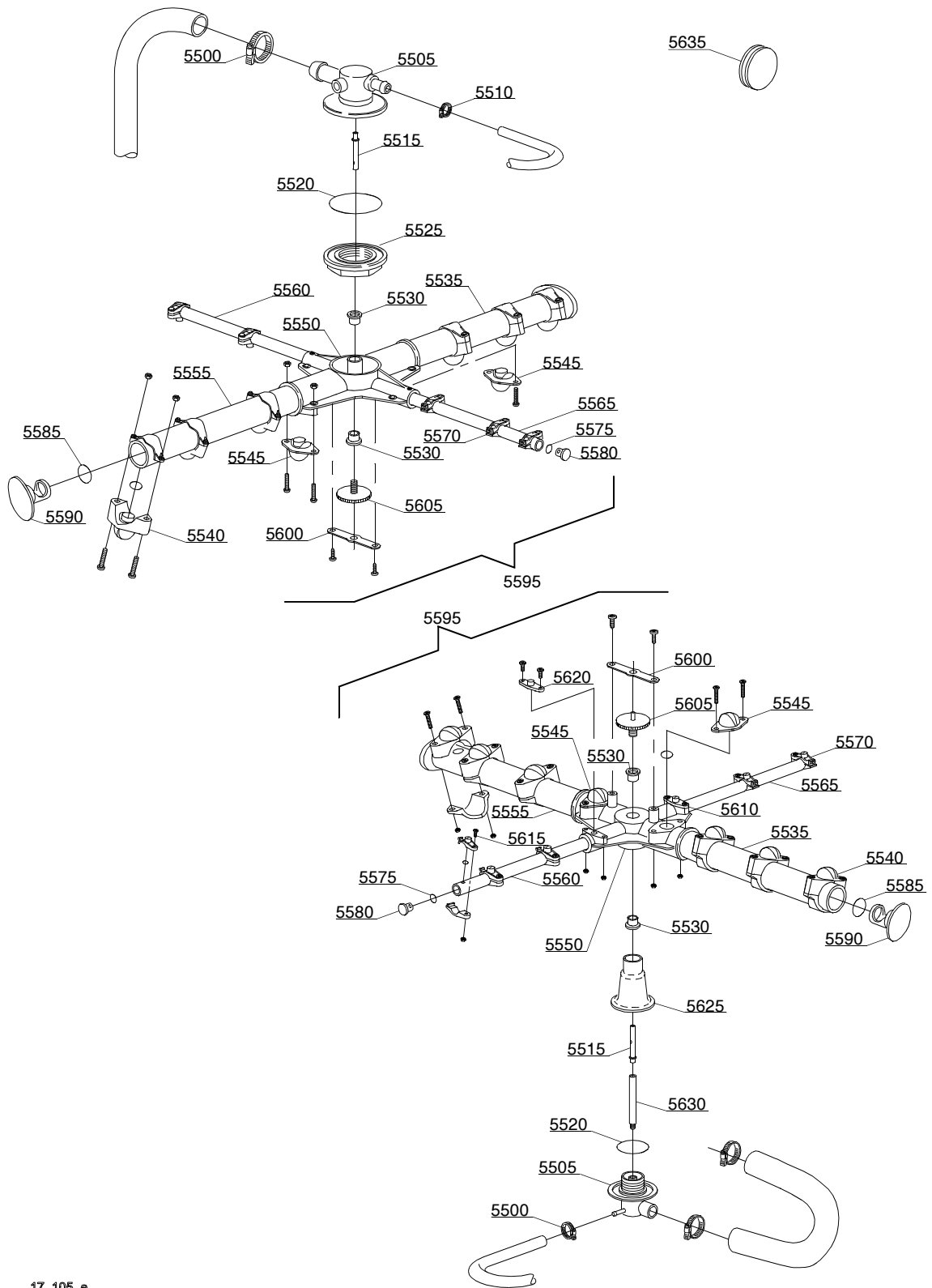
ID	P-code	Model	Type	Accessory	Voltage	Description
MODULE:Drain pump group						
2500	15101		66U	dp		Drain pump
2505	15101/D		66U	dp		Pipe fitting
2510	10727		66U	dp		Drain pipe
2515	15131		66U	dp		Drain coude/pump connection pipe



16_001_e

Spare parts

ID	P-code	Model	Type	Accessory	Voltage	Description
MODULE:Pressure switch group with air trap						
2100	10706/A		66U			47-27 pressure switch
2105	10911		66U			Air trap assembly
2110	13301		66U			Gasket
2115	11702		66U			M8 stainless steel nut



17_105_e

Spare parts

ID	P-code	Model	Type	Accessory	Voltage	Description
MODULE:Turret group with rotating arms						
5500	11806		66U			25/40 clamp
5505	500612		66U			Top/lower turret
5510	11807		66U			12/22 clamp
5515	15300		66U			Ø10x51 lower/top rinse axle
5520	13015		66U			6225 OR 160 NBR gasket
5525	500610		66U			Ring nut for fixing turret
5530	13319		66U			Sliding washer
5535	15571		66U			Ø28 right wash pipe
5540	10211		66U			Ø28 raised nozzle
5545	10218		66U			Ø28 opened plane nozzle
5550	10209		66U			4 ways big rotor
5555	15572		66U			Ø28 left wash pipe
5560	15575		66U			Right rinse pipe
5565	15576		66U			Left rinse pipe
5570	12528		66U			Ø10 complet rinse nozzle
5575	13016		66U			2018 OR 103 NBR gasket
5580	12532		66U			Ø10 plastic plug
5585	13018		66U			OR 2087 NBR gasket
5590	10257		66U			Ø28 plastic plug
5595	15956		66U			Ø28 wash/rinse group
5600	10210		66U			Blocking ring nut rotor plaque
5605	11101/I		66U			Stainless steel group fixing screw
5610	10217		66U			Ø10 closed plane nozzle
5615	11004		66U			4x10 TCB Ø8 spax toothed screw
5620	10213		66U			Ø10 opened plane nozzle
5625	550223		66U			Lower pipe coupling
5630	550226		66U			Lower rinse axle
5635	13316/A		66U			DVGW hole gasket