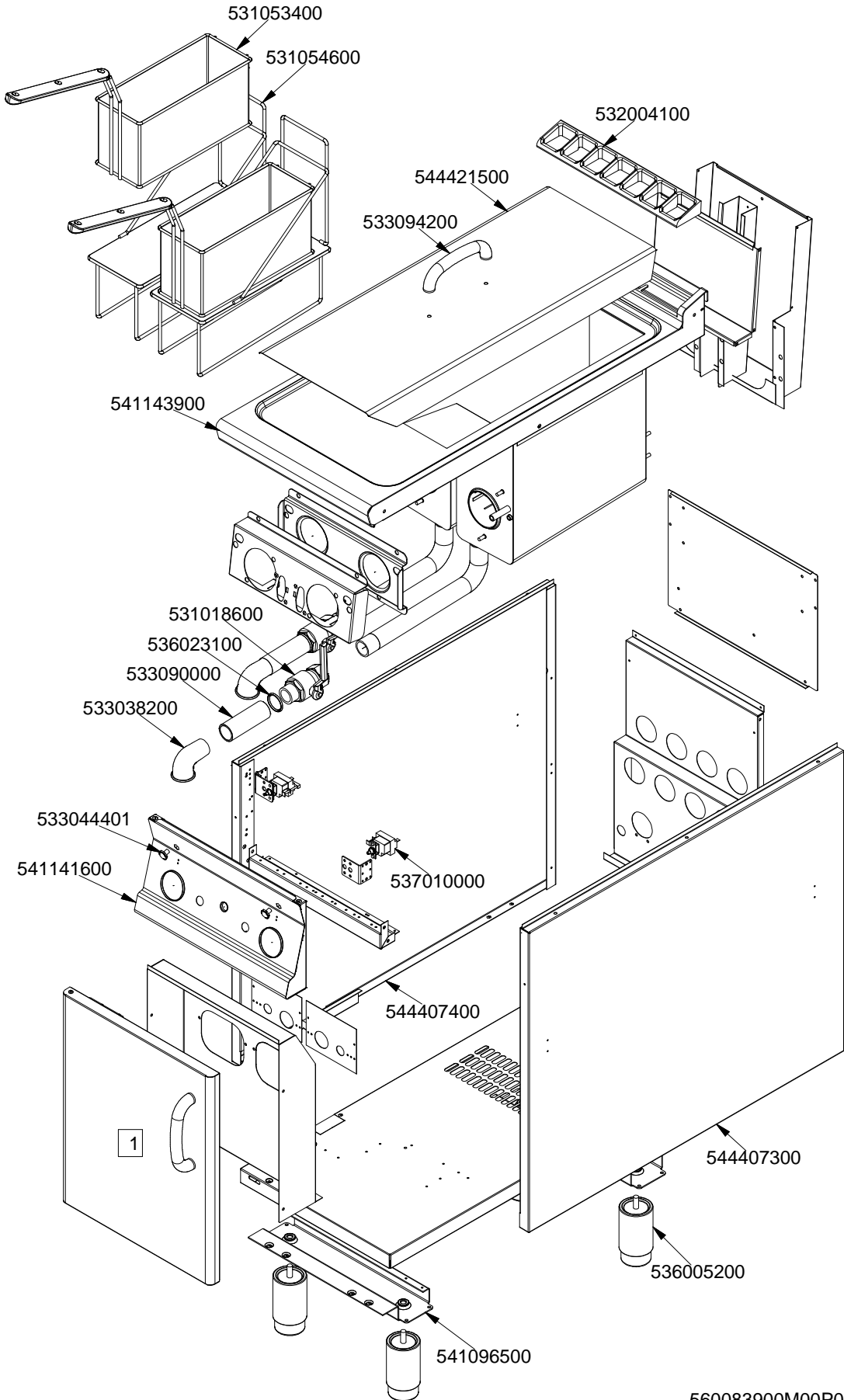


IPERLOTUS 90

GAS / GAS / GAS / GAZ

F2/8-94G

	1
Vedi Pagina See Page Siehe Seite Voir Page Ver Página	130

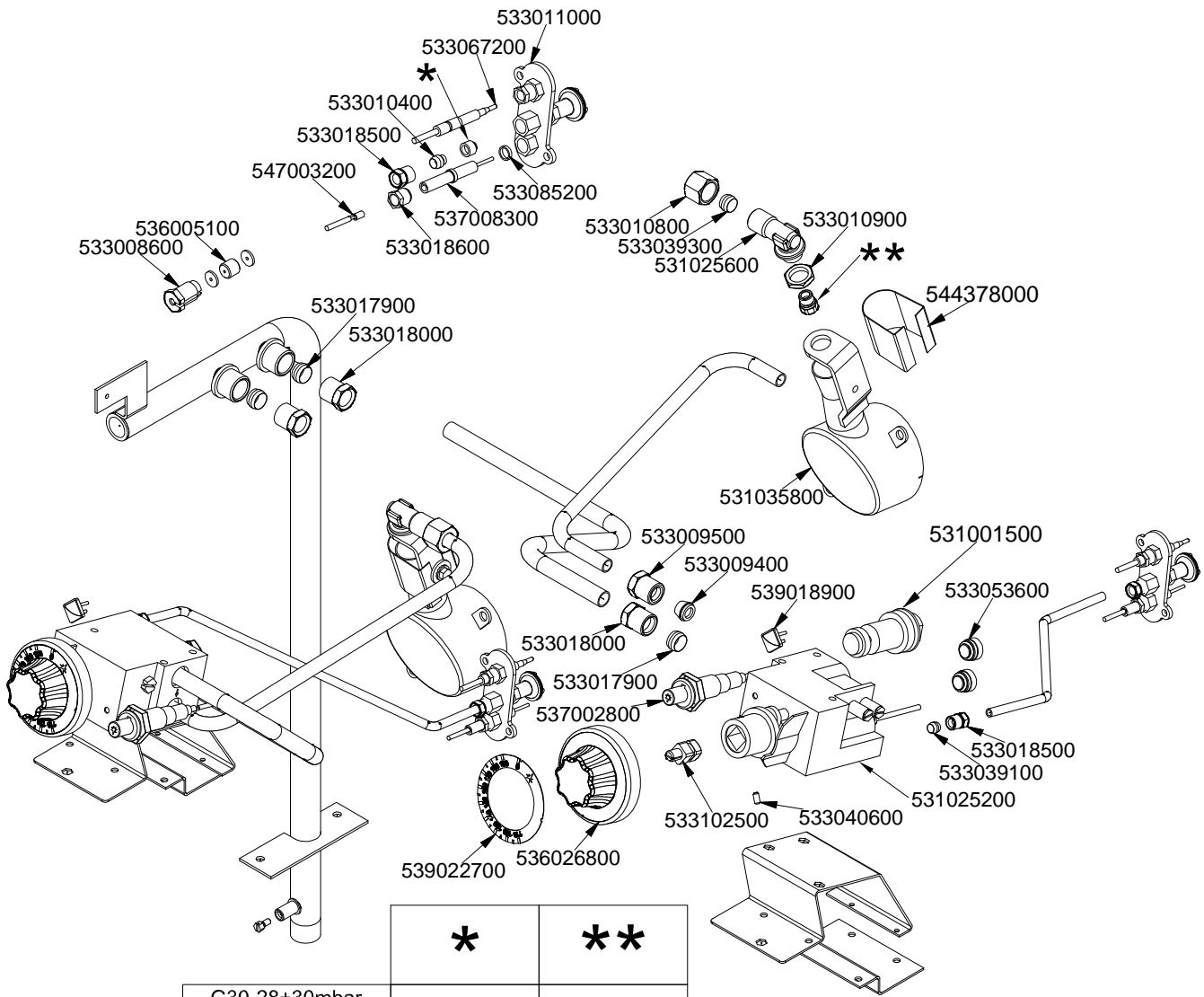


560083900M00P00

IPERLOTUS 90

GAS / GAS / GAS / GAZ

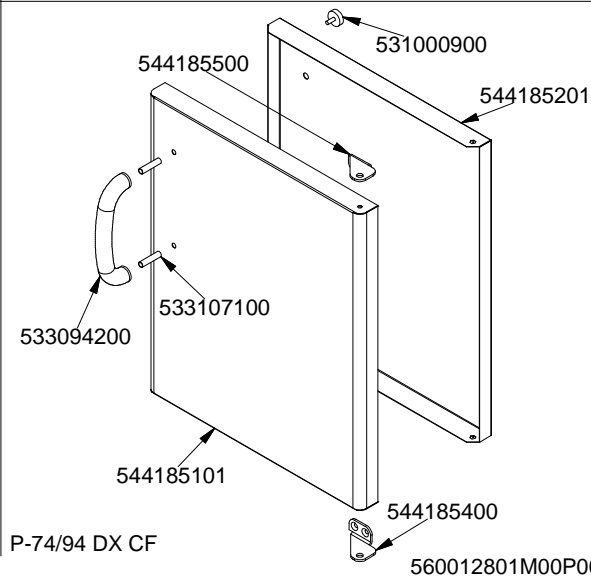
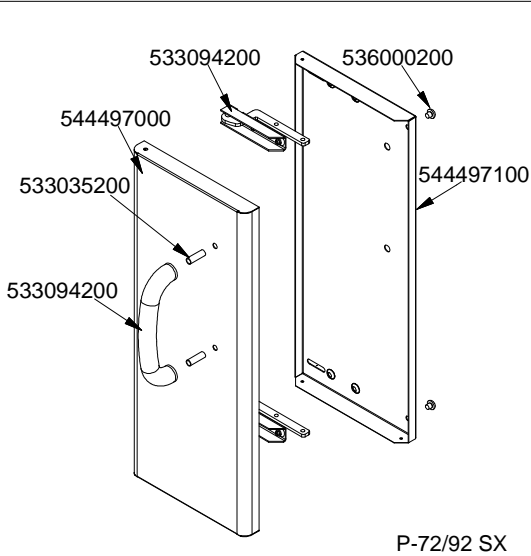
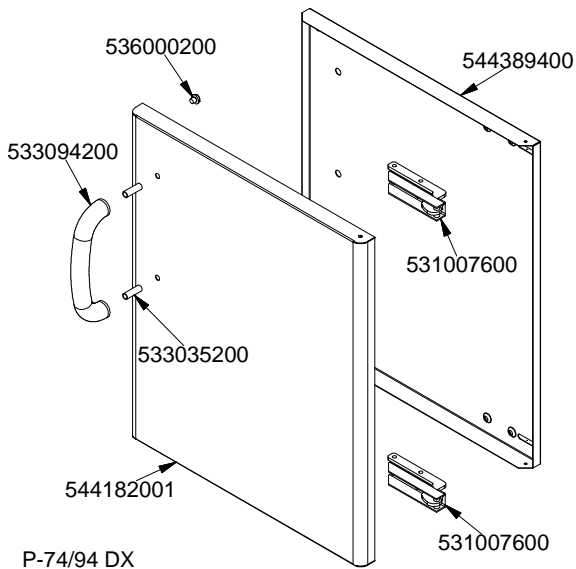
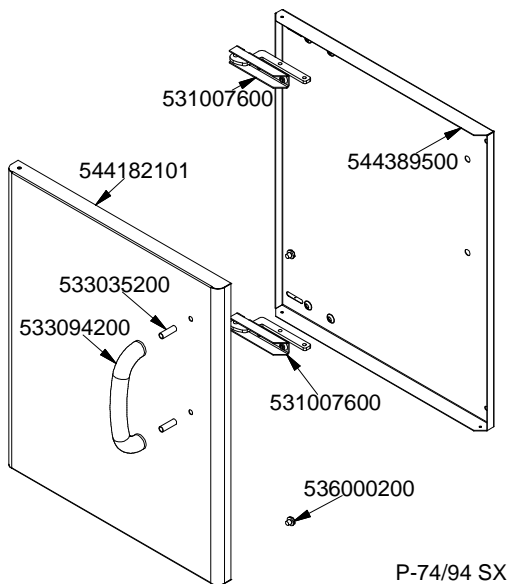
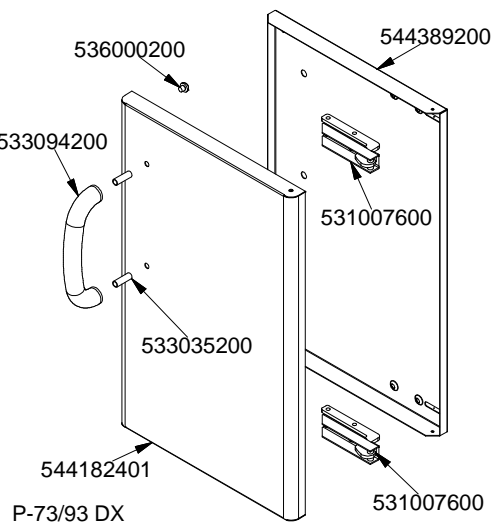
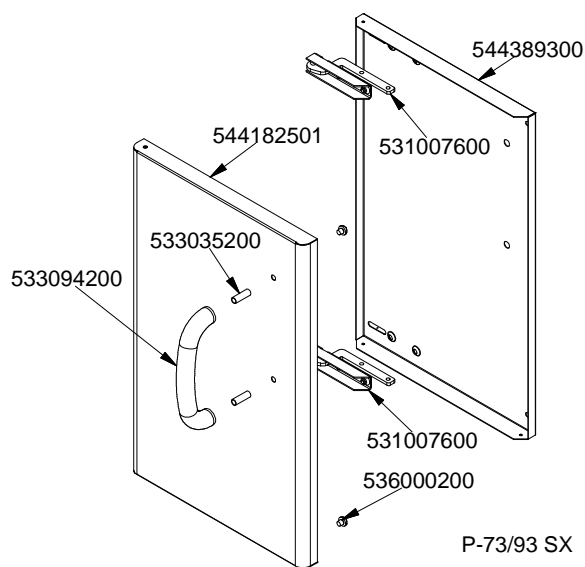
F2/8-94G



	*	**
G30-28+30mbar G31- 37mbar	533020200	533043200
G30- 50mbar	533020200	533043700
G20- 20mbar G25- 25mbar	533020400	533030900
G20- 20mbar DE-AT	533020400	533030900
G25- 20mbar	533020400	533019400
G25- 25mbar NL	533020400	533030200

560084000M00P00.

PORTE / DOORS / FLÜGELÜREN / PORTES N°≥0602



560012801M00P00

Page	Pos	Code	Description
001		536005200	INOX LEG 2" 120-180 M10
001		541141600	
001		533044401	M8 THREADED CAP FOR SEC.THERMOSTAT
001		537010000	SAFETY THERMOSTAT 220°C SINGLEPHASE
001		544421500	
001		533094200	S/S HANDLE FOR 70/90 SERIES
001		531053400	
001		531054600	
001		544407400	LEFT SIDE PANEL 70 LINE
001		531018600	BALL VALVE 1"G M-F CPM-62G
001		536023100	O-RING GASKET 31,34X3,53 VITON
001		533090000	
001		533038200	1" G M-F ELBOW FITTING
001		541143900	
001		541096500	
001		544407300	RIGHT SIDE PANEL 90 LINE
001		532004100	FLUE GRID L=370 70LINE (RAF)
002		547003200	HIGH-VOLTAGE CABLE TUBE.§2 L=500
002		533010800	TUBE NUT D.10 M16*1,5
002		533039300	BICONE §10
002		531025600	ELBOW 90° NOZZLE-HOLDER §10 PIPE
002		533010900	NUT M14*1 H.4
002		531035800	BURNER FOR FRYER F13T
002		533008600	STUFFING BOX M9*1
002		536005100	GRAPHITE §07,4 GASKET
002		533017900	BICONE D.12
002		533018000	ELBOW FOR BICONE D.12 3/8 RS L20
002		539022700	ADHESIVE GRADUATED DISC FOR KNOB
002		536026800	BLACK KNOB §70 8 P.Ø08X6,5 FR.Ø3
002		533009500	NIPPLE FOR BICONE 10S
002		533009400	BICONE 10S
002		537002800	PIEZOELECTRIC IGNITION M18
002		539018900	INDEX FOR KNOB
002		533102500	
002		533040600	HEADLESS SCREW M4*8
002		531025200	EUROSIT VALVE FQ 110-190°C
002		533011000	PILOT BURNER 3 FLAMES 320
002		533018500	FITTING FOR BICONE D.6 M10*1
002		533010400	BICONE D.6
002		533085200	
002		537008300	ROUND PLUG §2,4- LONG ELECTRODE
002		533018600	PLUG FITTING
002		533067200	THERMOCOUPLE 220+500 M9*1 CUT-OFF
002		533039100	BICONE §6
002		533053600	EUROSIT VALVE PLUG
002		533020200	PILOT JETS 0160 FOR LPG §30
002		533020400	NOZZLE 0160 (NATURAL GAS) 51
002		533043200	NOZZLE §110 G30 (LPG) CH12X14
002		533043700	NOZZLE §98 CH12*14 G-FQ/FP/CP65
002		533030900	NOZZLE §165 CH12X14 H-CW
002		533019400	NOZZLE §180 CH12*14 L-FQ5

Page	Pos	Code	Description
002		533030200	NOZZLE §170 CH12*14 MH-FG L-FP/CW
002		531001500	MAGNET FOR EUROSIT VALVE
002		544378000	
003		544389300	
003		531007600	DOOR HINGE
003		544182501	LEFT DOOR 73
003		533035200	
003		533094200	S/S HANDLE FOR 70/90 SERIES
003		536000200	D.12 H.4 BUMPER
003		544182401	RIGHT DOOR 73
003		544389200	
003		544182001	RIGHT DOOR 74
003		544389400	
003		544182101	LEFT DOOR 74
003		544389500	INNER-DOOR OF LHD 74
003		544497100	
003		544497000	
003		544185101	RIGHT DOOR 74 CF
003		544185400	LOWER DOOR HINGE FOR COMPARTME CF70
003		533107100	
003		544185500	UPPER DOOR HINGE FOR COMPARTME CF70
003		531000900	MAGNET §22 KG.3 WITH DISK
003		544185201	