

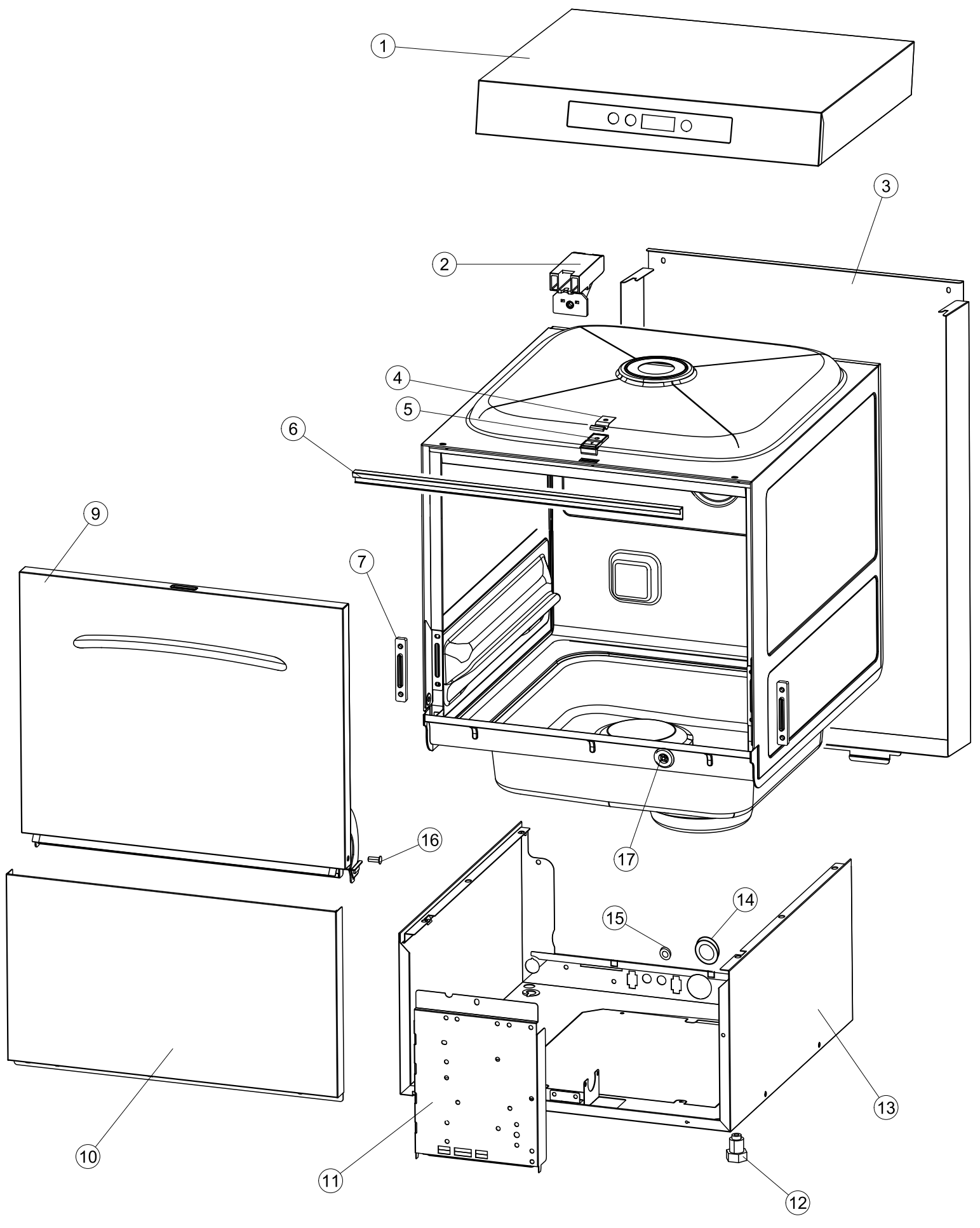
# ELETTROBAR

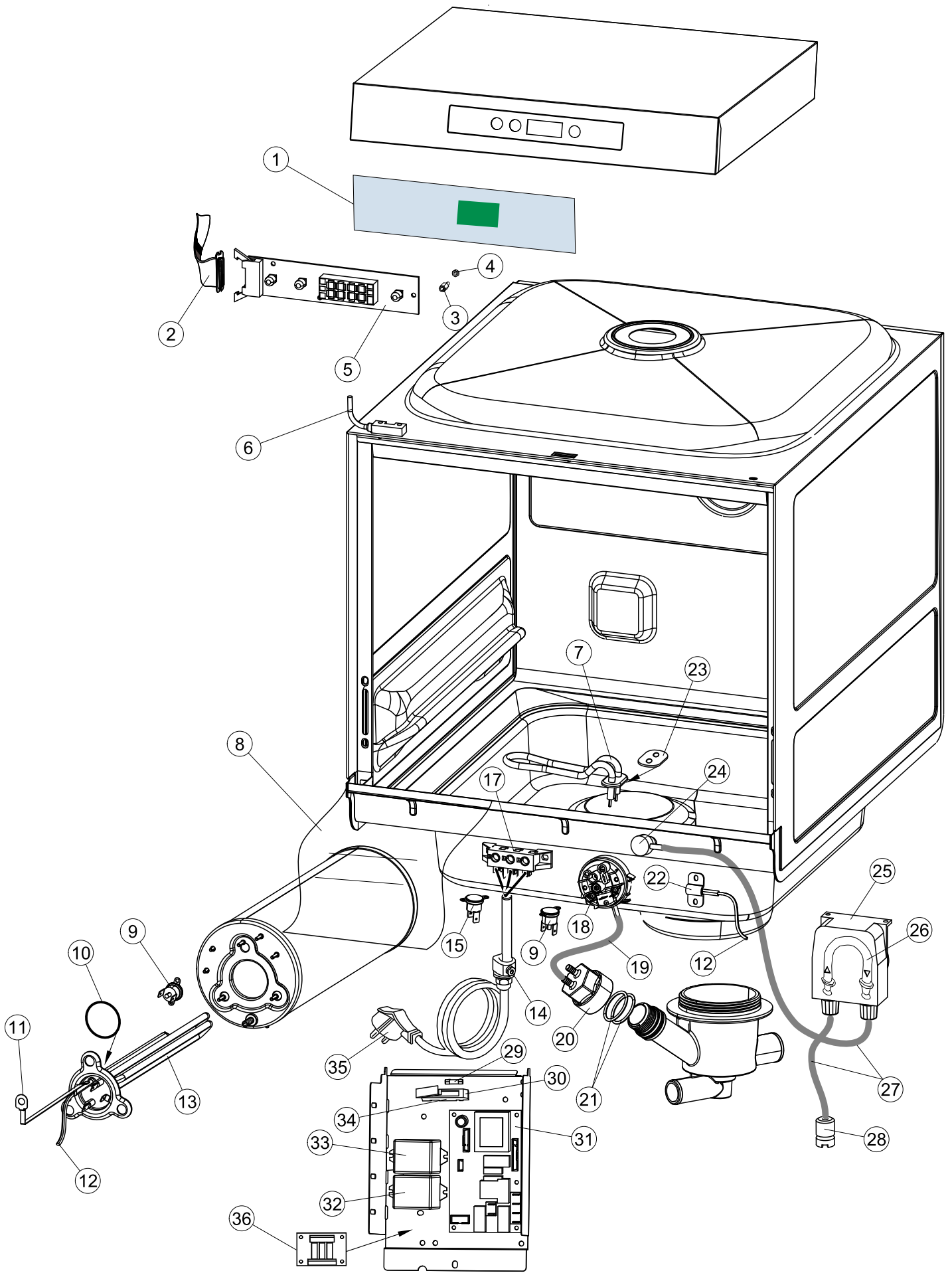
SPARE PARTS CATALOGUE  
ERSATZTEILKATALOG  
CATALOGUE PIECES DETACHEES  
CATALOGO PARTI RICAMBIO  
CATALOGO DE PIEZAS DE RECAMBIO  
CATALOGO PEÇAS DE REPOSIÇÃO

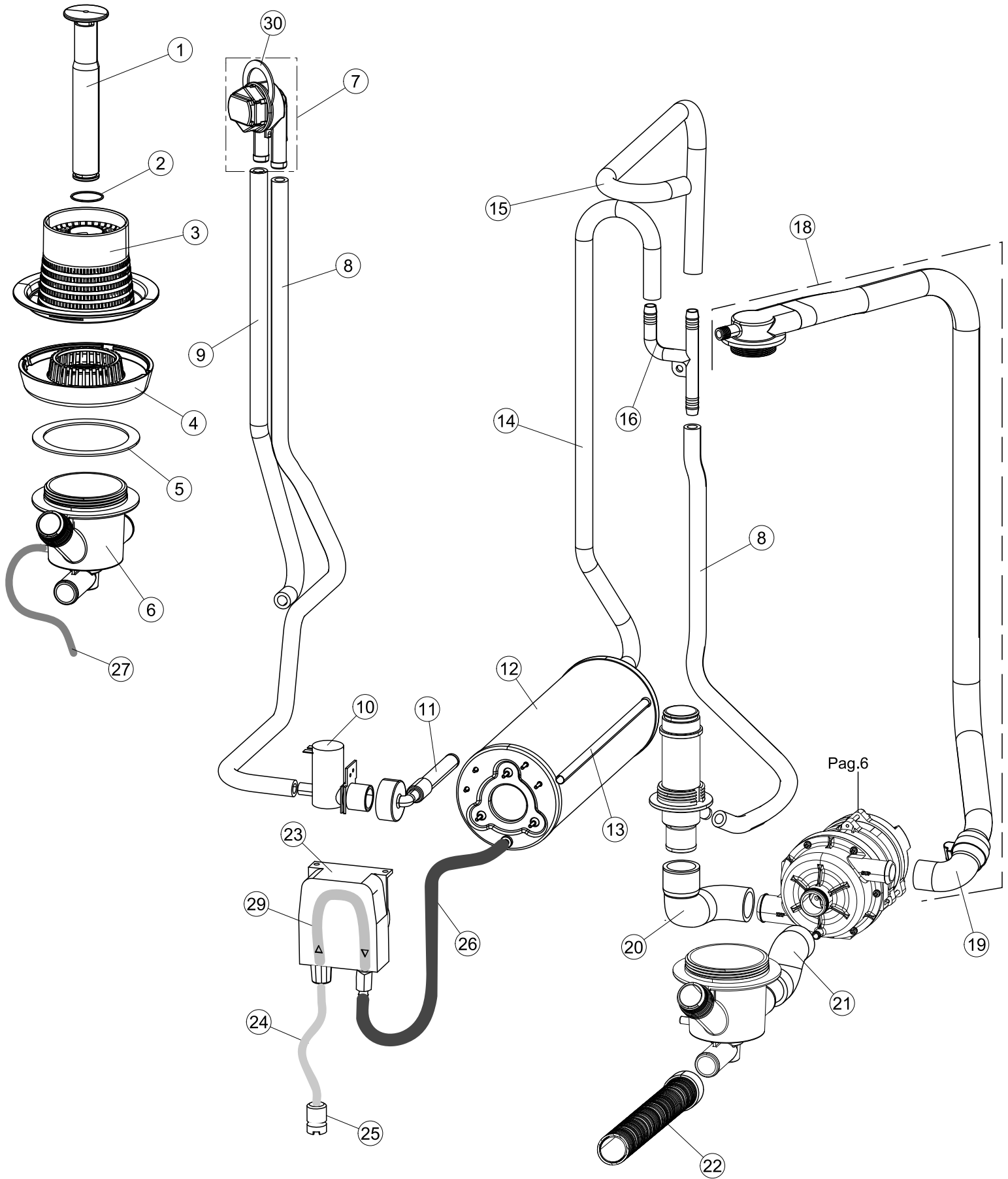
## Niagara-341

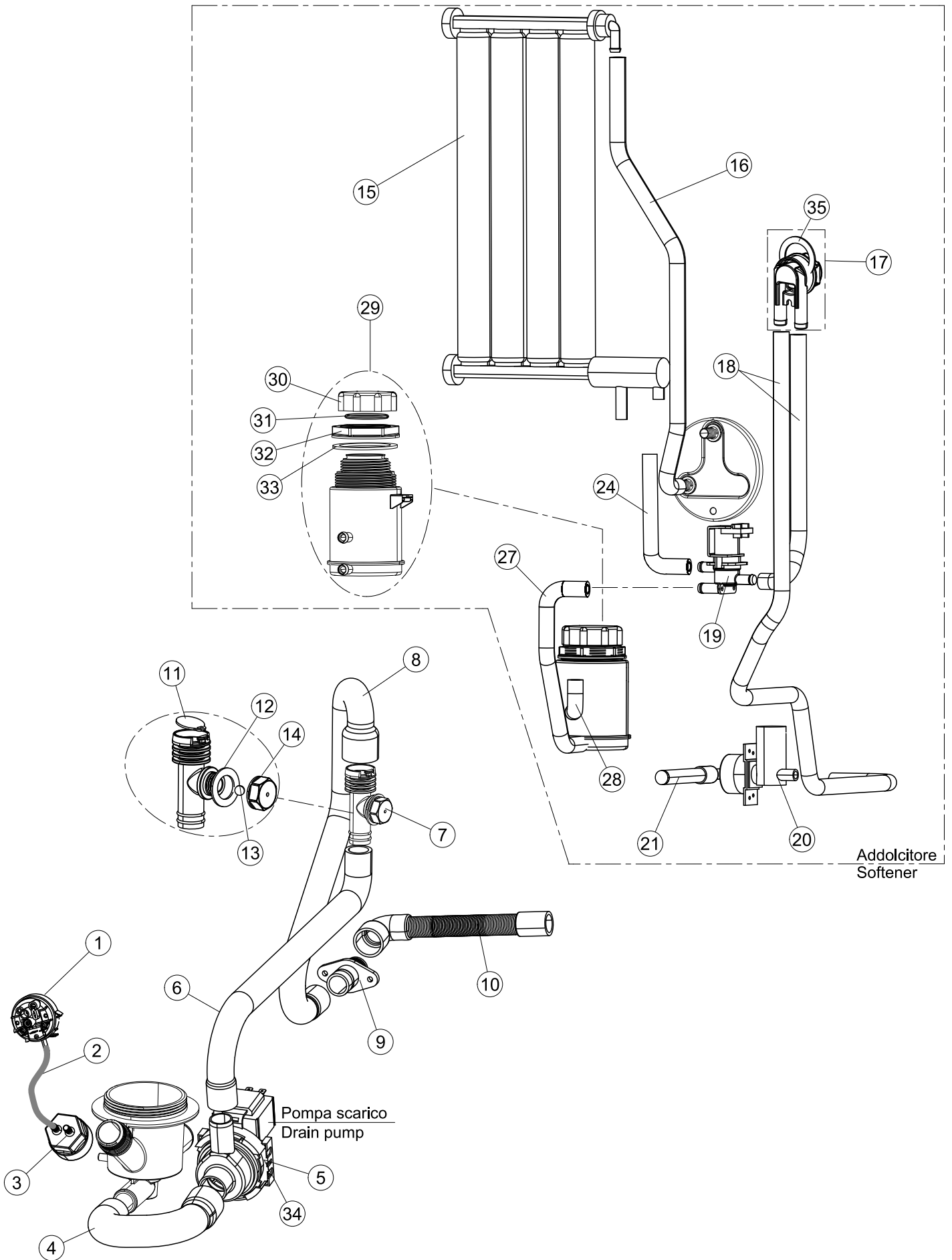
04-02-2015

# 1

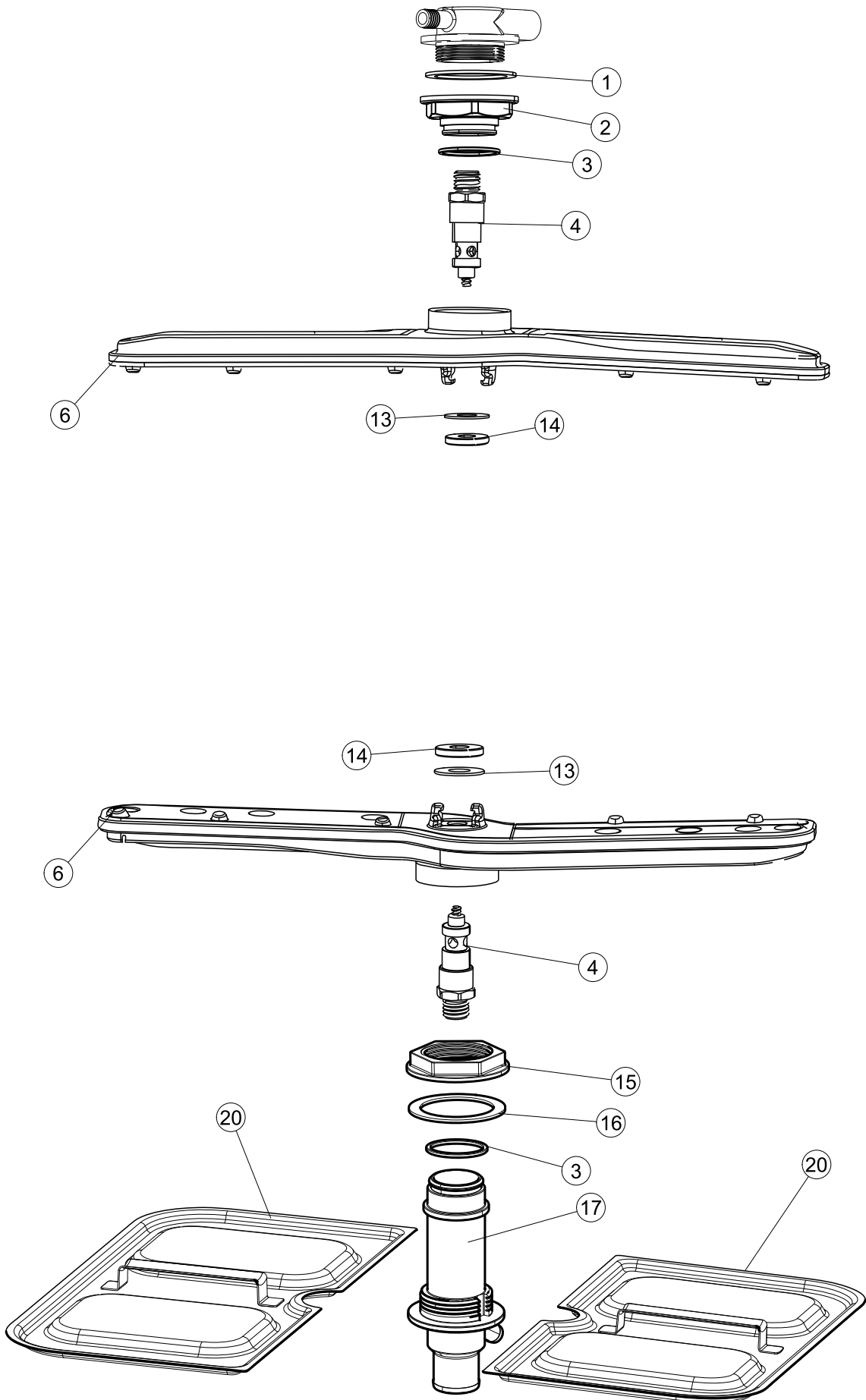


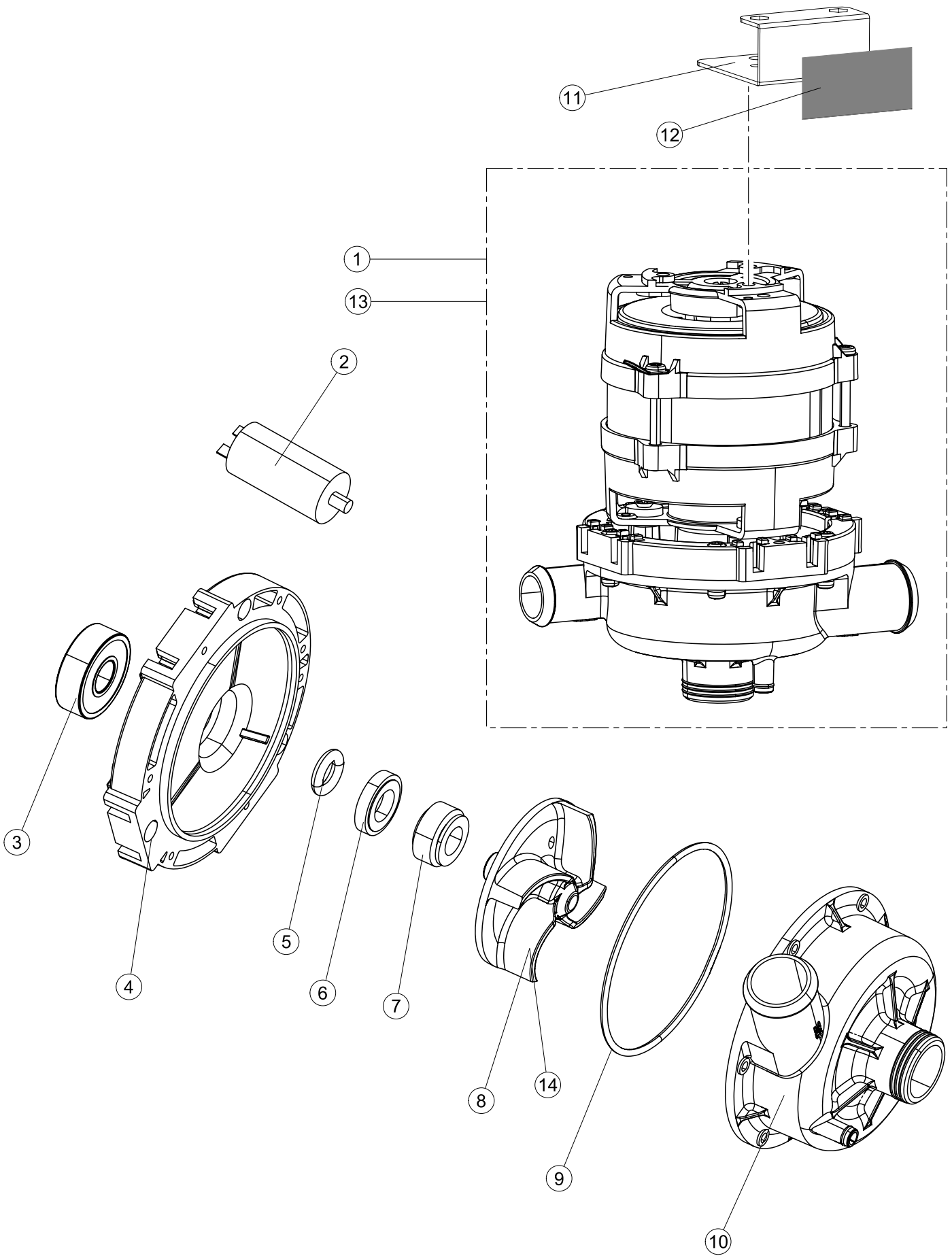






# 5





| Seite | Position | Code     | Alter Code | Beschreibung  |  |  |
|-------|----------|----------|------------|---|--|--|
| 1     | 1        | 004300   |            | GEHAUSEOBERTEIL   |  |  |
| 1     | 2        | 035092   |            | WINKEL  |  |  |
| 1     | 3        | 022156   |            | PANNELLO POSTERIORE LA40  |  |  |
| 1     | 4        | 449036   | REB449036  | FEDER, SCHLOSS 11   |  |  |
| 1     | 5        | 329012   | REB329012  | KEIL, TÜRSCHLOSS grossdimens. 11                                    |  |  |
| 1     | 6        | 437109   |            | TUERDICHTUNG FUER GLAESERSPUELER                                    |  |  |
| 1     | 7        | 307016   |            | BUEGELLAGER F. TUERSTANGE   |  |  |
| 1     | 8        | 328091   |            | PARASPRUZZI CM LA40   |  |  |
| 1     | 9        | 029657   |            | TUER  |  |  |
| 1     | 10       | 012325   |            | FRONTALINO LA40   |  |  |
| 1     | 11       | 035095   |            | BUEGEL ELEKTRISCHE KOMPONENTEN                                      |  |  |
| 1     | 12       | 461010   | REB461010  | STÜTZFUSS, SECHSK. S621-  |  |  |
| 1     | 13       | 040122   |            | ZOCCOLO LA40 ASSEMBLATO(RICAMBIO)                                   |  |  |
| 1     | 14       | 459022   |            | KABELDURCHFUEHRUNG  |  |  |
| 1     | 15       | 459006   | REB459006  | KABELDURCHGANG, Di9/De16 22   |  |  |
| 1     | 16       | 325034   | REB325034  | ZAPFEN, TÜRSCHARNIER - 40   |  |  |
| 1     | 17       | 480153   |            | VERSCHLUSS AUS GUMMI D.12   |  |  |
| 2     | 1        | 70704    |            | MASKE POLYESTERE  |  |  |
| 2     | 2        | 211017   |            | FLACHKABEL  |  |  |
| 2     | 3        | 419036   |            | ABSTANDSSTÜCK, M3   |  |  |
| 2     | 4        | 417119   |            | SCHRAUBENMUTTER, M3 KUNST. WEISS                                    |  |  |
| 2     | 5        | 80944    |            | BEDINGUNGEN-TESTENBRETT   |  |  |
| 2     | 6        | 80871    |            | TUERKONTAKTSCHALTER   |  |  |
| 2     | 7        | 230098   | REB230098  | WIDERSTAND, TANK 600W/230V  |  |  |
| 2     | 8        | 214112   |            | DURCHSICHTIGER SCHUETZ FUER ELEKTRISCHE ANLAGE DES GESCHIRRSPUELERS |  |  |
| 2     | 9        | 236047   | REB236047  | SICHERHEITSTHERMOSTAT   |  |  |
| 2     | 10       | 456075   |            | TORISCHE DICHTUNG 37,47X5,33 NBR                                    |  |  |
| 2     | 11       | 69871    |            | SONDENHALTER  |  |  |
| 2     | 12       | 231016   |            | TEMPERATURSONDE   |  |  |
| 2     | 13       | 230113   |            | HEIZUNG 2600W/230V FL.PICCOLA P/BULBO                               |  |  |
| 2     | 14       | 459005   | REB459005  | KABELKLIPPS, STEAB Art.5024   |  |  |
| 2     | 15       | 236048   | REB236048  | THERMOSTAT  |  |  |
| 2     | 16       | 236047   | REB236047  | SICHERHEITSTHERMOSTAT   |  |  |
| 2     | 17       | 220010   | REB220010  | KLEMMENB. FV 110 50f  |  |  |
| 2     | 18       | 224026   |            | ARBEITSDRUCKWAECHTER 120/95   |  |  |
| 2     | 19       | 143235   |            | SCHLAUCH 4X7 SILIKON DURCHS. CRP                                    |  |  |
| 2     | 20       | 107013   |            | LUFT-GLOCKE DES DRUCKSCHALTERS                                      |  |  |
| 2     | 21       | 456073   |            | O-RING  |  |  |
| 2     | 22       | 028105   |            | PLATCHEN  |  |  |
| 2     | 23       | 437086   | REB437086  | DICHTUNG, TANKWIDERSTAND  |  |  |
| 2     | 24       | 468151   | DZR150NT   | TANKEINLAUF CPL NM*   |  |  |
| 2     | 25       | 209039   |            | SPÜLMITTELBEHALTER  |  |  |
| 2     | 26       | 143267   |            | FLASCHEN 6X10   |  |  |
| 2     | 27       | 143194   | REB143194  | SCHLAUCH 4X6 CRISTAL, DURCHS.                                       |  |  |
| 2     | 28       | 121993   |            | FILTERANORDNUNG   |  |  |
| 2     | 29       | 228010   |            | SICHERUNG 5X20 T4A  |  |  |
| 2     | 30       | 210010   |            | SICHERUNGSHALTER  |  |  |
| 2     | 31       | 215034-1 |            | KARTE   |  |  |
| 2     | 32       | 229029   | REB229029  | RELAIS FINDER 65.31 230/50  |  |  |
| 2     | 33       | 229040   |            | RELAIS 62.83.8.230.0300   |  |  |
| 2     | 34       | 210011   |            | PLAETTCHEN  |  |  |



|   |    |          |           |   |  |  |
|---|----|----------|-----------|---|--|--|
| 2 | 35 | 299040   | REB299040 | ANSCHLUSSKABEL SCHUKO 230V                    |  |  |
| 2 | 36 | 215036   |           | KARTE   |  |  |
| 3 | 1  | 142059   |           | UEBERLAUFROHR LA40                            |  |  |
| 3 | 2  | 456080   |           | OR  |  |  |
| 3 | 3  | 121136   |           | FILTER  |  |  |
| 3 | 4  | 429077   |           | RING  |  |  |
| 3 | 5  | 437107   |           | DICHTUNG                                      |  |  |
| 3 | 6  | 136029   |           | ABSAUG/ABFLUSSKOERPER                         |  |  |
| 3 | 7  | 144030   |           | DVGW GERAT (LA500)                            |  |  |
| 3 | 8  | 143004   | REB143004 | ROHR, DRUCKSCHALTER TP 10X17 (CASER/15NL C4N) |  |  |
| 3 | 9  | 127107   |           | MANICOTTO CARICAMENTO BOILER LA40             |  |  |
| 3 | 10 | 240011   | REB240011 | ZUFLUSSVENTIL 1-WEG C.33290127                |  |  |
| 3 | 11 | 143270   |           | AHL FFC3/4 - WARMES WASSER WRAS               |  |  |
| 3 | 12 | 104056   |           | WARMWASSERBEREITER                            |  |  |
| 3 | 13 | 143228   |           | ROHR, BOILERWASSEREINLASS 8X9XL250            |  |  |
| 3 | 14 | 127108   |           | MANICOTTO MANDATA BOILER LA40                 |  |  |
| 3 | 15 | 127124   |           | MANICOTTO RISCIAQUO SUPERIORE LA40            |  |  |
| 3 | 16 | 143268   |           | Y-STUECK                                      |  |  |
| 3 | 18 | 115146   |           | VEREINTE WASHLEITUNG LA40                     |  |  |
| 3 | 19 | 127120   |           | MANICOTTO MANDATA SUPERIORE LA40              |  |  |
| 3 | 20 | 127106   |           | MANICOTTO MANDATA INF.LA40                    |  |  |
| 3 | 21 | 127105   |           | MANICOTTO ASPIRAZIONE LA40                    |  |  |
| 3 | 22 | 143120   | REB143120 | ABLASSROHR, Mt1.5 / D25                       |  |  |
| 3 | 23 | 209036   |           | KLARSPÜLER                                    |  |  |
| 3 | 24 | H.775601 |           | ROHR 4x6 CRISTAL BLAU PVC                     |  |  |
| 3 | 25 | 121993   |           | FILTERANORDNUNG                               |  |  |
| 3 | 26 | 143005   | SPG10     | SCHLAUCH TP 5X11 (CASER/15/NL C4N)            |  |  |
| 3 | 27 | H.165168 |           | PVC SCHLAUCH                                  |  |  |
| 3 | 29 | 143266   |           | FLASCHEN 5X10                                 |  |  |
| 3 | 30 | 437080   |           | DICHTUNG, VERBINDUNGSST., OB.SPÜL.E.40        |  |  |
| 4 | 1  | 224027   |           | ARBEITSDRUCKWAECHTER 155/130                  |  |  |
| 4 | 2  | 143235   |           | SCHLAUCH 4X7 SILIKON DURCHS. CRP              |  |  |
| 4 | 3  | 107014   |           | LUFT-GLOCKE DES DRUCKWAECHTERS LA50           |  |  |
| 4 | 4  | 127115   |           | MUFFE   |  |  |
| 4 | 5  | 130177   |           | ABFLUSSPUMPE 50HZ.                            |  |  |
| 4 | 6  | 127121   |           | MUFFE   |  |  |
| 4 | 7  | 144992   |           | LUFTLOCH-VENTIL DER ABFLUSSPUMPE              |  |  |
| 4 | 8  | 127122   |           | MANICOTTO VALVOLA SFIATO>FLANGIA ZH.LA40      |  |  |
| 4 | 9  | 468152   | REB468152 | VERBINDUNGSST., ABLAUF CLEAN.3                |  |  |
| 4 | 10 | 143137   | REB143137 | ABLASSROHR D18 GEBOG. ENDE                    |  |  |
| 4 | 11 | 499092   |           | BLLENDE                                       |  |  |
| 4 | 12 | 437083   |           | DICHTUNG, GUMMI D32D19.5S1.5                  |  |  |
| 4 | 13 | 476008   |           | KUGELHAHN                                     |  |  |
| 4 | 14 | 468199   |           | ANSCHLUSSSTUECK LA50                          |  |  |
| 4 | 15 | 117007   |           | WASSERENTKAECKER                              |  |  |
| 4 | 16 | 127129   |           | MANICOTTO ADDOLCITORE-BOILER LA40             |  |  |
| 4 | 17 | 144010   | REB144010 | RÜCKSCHLAGVORR.(EB                            |  |  |
| 4 | 18 | 143004   | REB143004 | ROHR, DRUCKSCHALTER TP 10X17 (CASER/15NL C4N) |  |  |
| 4 | 19 | 999288   |           | GRUPPO VALVOLA DEVIATR.CON RIDUTTORE          |  |  |
| 4 | 20 | 240016   | DEV3S16   | ZUFLUSSVENTIL 1-WEG 3/4 230V DROSS.16L        |  |  |
| 4 | 21 | 143270   |           | AHL FFC3/4 - WARMES WASSER WRAS               |  |  |
| 4 | 24 | 143246   |           | LEITUNG, -)ENTHARTER                          |  |  |
| 4 | 27 | 127126   |           | MANICOTTO VALVOLA SCAMB-BOCCIA SALE LA40      |  |  |
| 4 | 28 | 127128   |           | MANICOTTO ADDOLCITORE-BOCCIA SALE LA40        |  |  |
| 4 | 29 | 406998   | REB406998 | SALZBEHALTER NM                               |  |  |
| 4 | 30 | 480005   | REB480005 | PFPROPFEN, SALZBEHALTER                       |  |  |

|   |    |        |           |   |  |  |
|---|----|--------|-----------|---|--|--|
| 4 | 31 | 456052 | REB456052 | O-Ring 144  |  |  |
| 4 | 32 | 429011 | REB429011 | GEWINDERING, SALZBEH.                                   |  |  |
| 4 | 33 | 437034 | REB437034 | DICHTUNG, D68D81S3 GUMMI                                |  |  |
| 4 | 34 | 130181 |           | ABFLUSSPUMPE 60HZ.                                      |  |  |
| 5 | 1  | 437113 |           | DICHTUNG DES KOERPERS -UNTEN- FUER GLAES ERSPUELER      |  |  |
| 5 | 2  | 429078 |           | RING  |  |  |
| 5 | 3  | 303018 | REB303018 | DICHTUNGS- UND GLEITRING CL.3                           |  |  |
| 5 | 4  | 325109 |           | PERNO PETTINE ACCIAIO LA40-450-50-500                   |  |  |
| 5 | 6  | 990126 |           | GRUPPO BR.PARALLELI 40 EB.CPL.                          |  |  |
| 5 | 13 | 437117 |           | TEFLONRING 19.5X9.5X1                                   |  |  |
| 5 | 14 | 454006 |           | ZAPFEN  |  |  |
| 5 | 15 | 429079 |           | RING  |  |  |
| 5 | 16 | 437108 |           | DICHTUNG  |  |  |
| 5 | 17 | 115144 |           | ZENTRALLEITUNG UNTEN                                    |  |  |
| 5 | 20 | 121137 |           | FILTER  |  |  |
| 6 | 1  | 130166 |           | PUMPE   |  |  |
| 6 | 2  | 206013 |           | KONDENSATOR 4 MF FUER WASCHPUMPE                        |  |  |
| 6 | 3  | 314011 |           | WASCHPUMPLAGER FUER GLAESERSPUELER                      |  |  |
| 6 | 4  | 315028 |           | FLANSCH   |  |  |
| 6 | 5  | 456084 |           | TORISCHE DICHTUNG                                       |  |  |
| 6 | 6  | 141012 |           | MECHANISCHE DICHTUNG FUER WASCHPUMPE DER GLAESERSPUELER |  |  |
| 6 | 7  | 141013 |           | MECHANISCHE DICHTUNG FUER WASCHPUMPE DER GLAESERSPUELER |  |  |
| 6 | 8  | 124063 |           | UMPENFLUEGEL 50HZ                                       |  |  |
| 6 | 9  | 456083 |           | TORISCHE DICHTUNG                                       |  |  |
| 6 | 10 | 116035 |           | PUMPENGEHAEUSE  |  |  |
| 6 | 11 | 035097 |           | BEF.WINKEL  |  |  |
| 6 | 12 | 437111 |           | DICHTUNG X5   |  |  |
| 6 | 13 | 130168 |           | PUMPE 60HZ  |  |  |