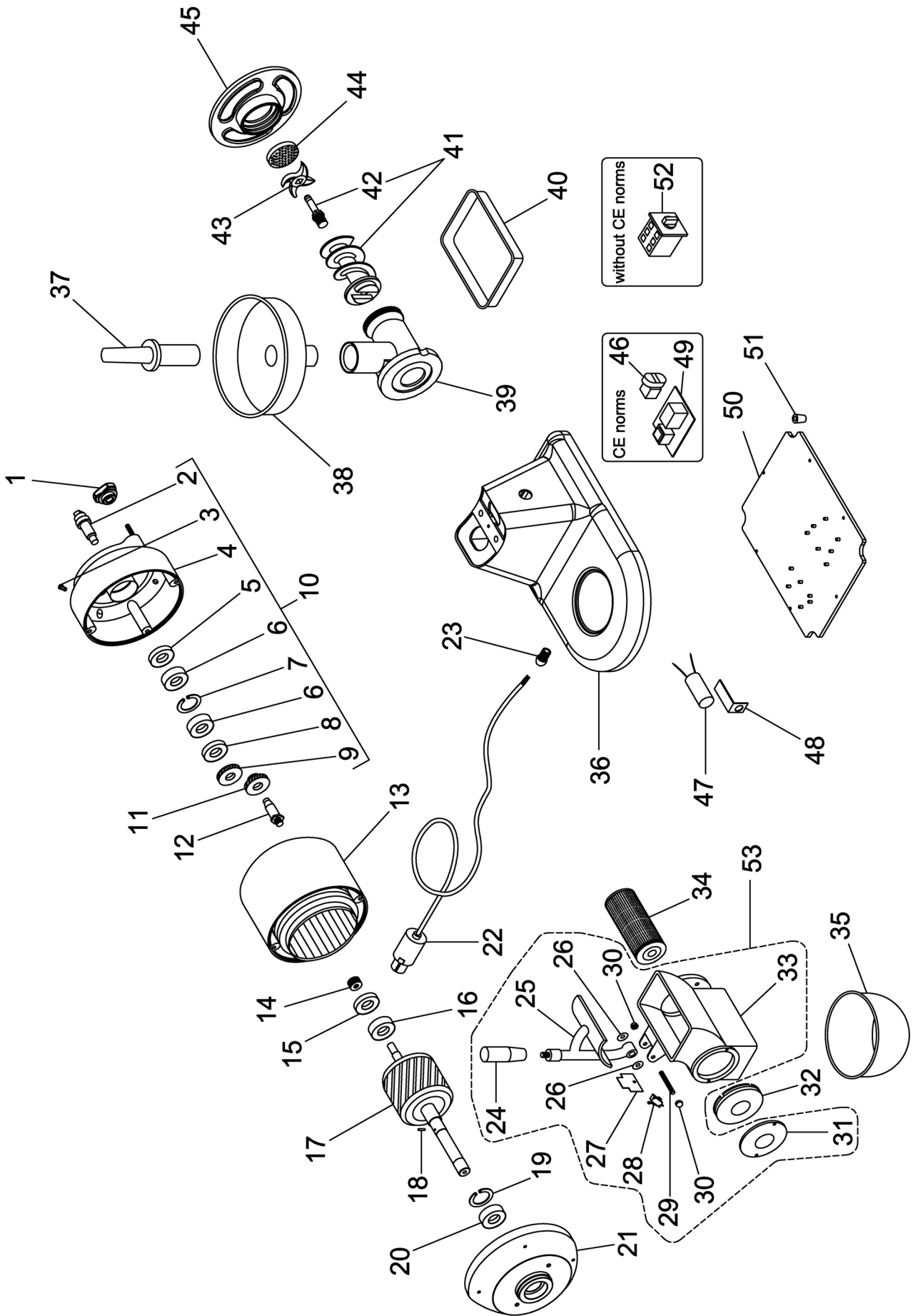


AB22AEQ0



AB22AEQ0

Pos. Ref.	Codice Code		Caratteristiche Features	Descrizione Description	
1	SL2924	●		Pomello	Knob
2	SL2528			Albero	Shaft
3	SL2917	●		Tappo	Tap
4	SL2526			Calotta	Calotte
5	SL2591		∅25x∅47x7	Paraolio	Oil seal
6	SL3125		6204 2RS	Cuscinetto	Bearing
7	SL0082		∅47	Seeger	Seeger
8	SL2593		∅20x∅47x7	Paraolio	Oil seal
9	SL0130			Ingranaggio	Gear
10	SA2200		Assembly	Calotta	Calotte
11	SL0125			Ingranaggio	Gear
12	SL2589			Albero	Shaft
13	SA1016		400V/3Ph/50Hz	Statore	Stator
13	SA1017		230V/1Ph/50Hz	Statore	Stator
14	SL0128			Ingranaggio	Gear
15	SL0127		∅17x∅40x7	Paraolio	Oil seal
16	SL0131		6203 2RS	Cuscinetto	Bearing
17	SL2598		400V/3Ph/50Hz	Rotore	Rotor
17	SL2599		230V/1Ph/50Hz	Rotore	Rotor
18	SL0121		∅5x10	Spina	Pin
19	SL0119		∅52	Seeger	Seeger
20	SL0118		6205 2RS	Cuscinetto	Bearing
21	SL0117			Calotta	Calotte
22	SL1841		3Ph+Gnd	Cavo elettrico	Electric cable
22	SL1671		1Ph+N+Gnd	Cavo elettrico	Electric cable
23	SL1668		PG11	Pressacavo	Cable clamp
24	SL0106	●		Impugnatura	Grip
25	SA1113			Pressore	Lever press
26	SL3140			Rosetta	Washer
27	SL3138			Copertura	Covering
28	SL0885	●		Microinterruttore	Microswitch
29	SL0258			Prigioniero	Stud
30	SL0108			Dado	Nut
31	SL2833			Coperchio	Cover
32	SL2573			Tappo	Tap
33	SA1012		Assembly	Bocca	Casing
34	SA2800			Rullo	Roller
35	SL0174			Recipiente	Container
36	SL2988			Base	Base
37	SL0134	●		Pestello	Pusher
38	SL0136			Tramoggia	Hopper
39	SL3986		Stainless-steel	Bocchettone	Sleeve
39	SL2523R0		Food stuff treated cast-iron (without CE norms)	Bocchettone	Sleeve
39	SL3987		Unger	Bocchettone	Sleeve
40	SL0180			Recipiente	Container
41	SA5500	●	Stainless-steel	Elica	Screw shaft
41	SA5400		Food stuff treated cast-iron (without CE norms)	Elica	Screw shaft
41	SA5700		Unger	Elica	Screw shaft
42	SL0823			Perno	Pivot
42	SL0824		Unger	Perno	Pivot
43	///////	●		Coltello	Cutter
44	///////	●		Piastra	Plate
45	SL0197		Stainless-steel	Volantino	Handwheel
45	SL3328R0		Aluminium (without CE norms)	Volantino	Handwheel
46	SL0891	●	Start-stop	Pulsante	Push button
47	SL0177		16µF	Condensatore	Condenser
48	SL0176			Staffa	Bracket
49	SL0883	●		Scheda elettronica	Electronic card
50	SL2651			Fondo	Bottom
51	SL0235			Piedino	Foot
52	SL0054			Interruttore	Switch
53	SA1119		Assembly	Bocca	Casing

(*): fuori produzione / out of production

● : ricambio consigliato / spare part suggested