

WAREWASHER

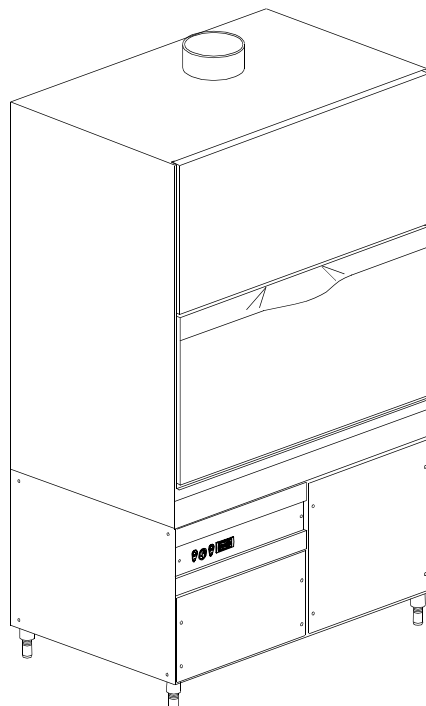
ELECTROMECHANICAL SWITCHES
SIMPLE BODY VERSION

TYPE: 35U

Accessories
BOOSTER PUMP
DVGW

DETERGENT DISPENSER

Spare parts



S/N:

Valid from:..11/2002

Rev.: 0.0

1. Spare parts

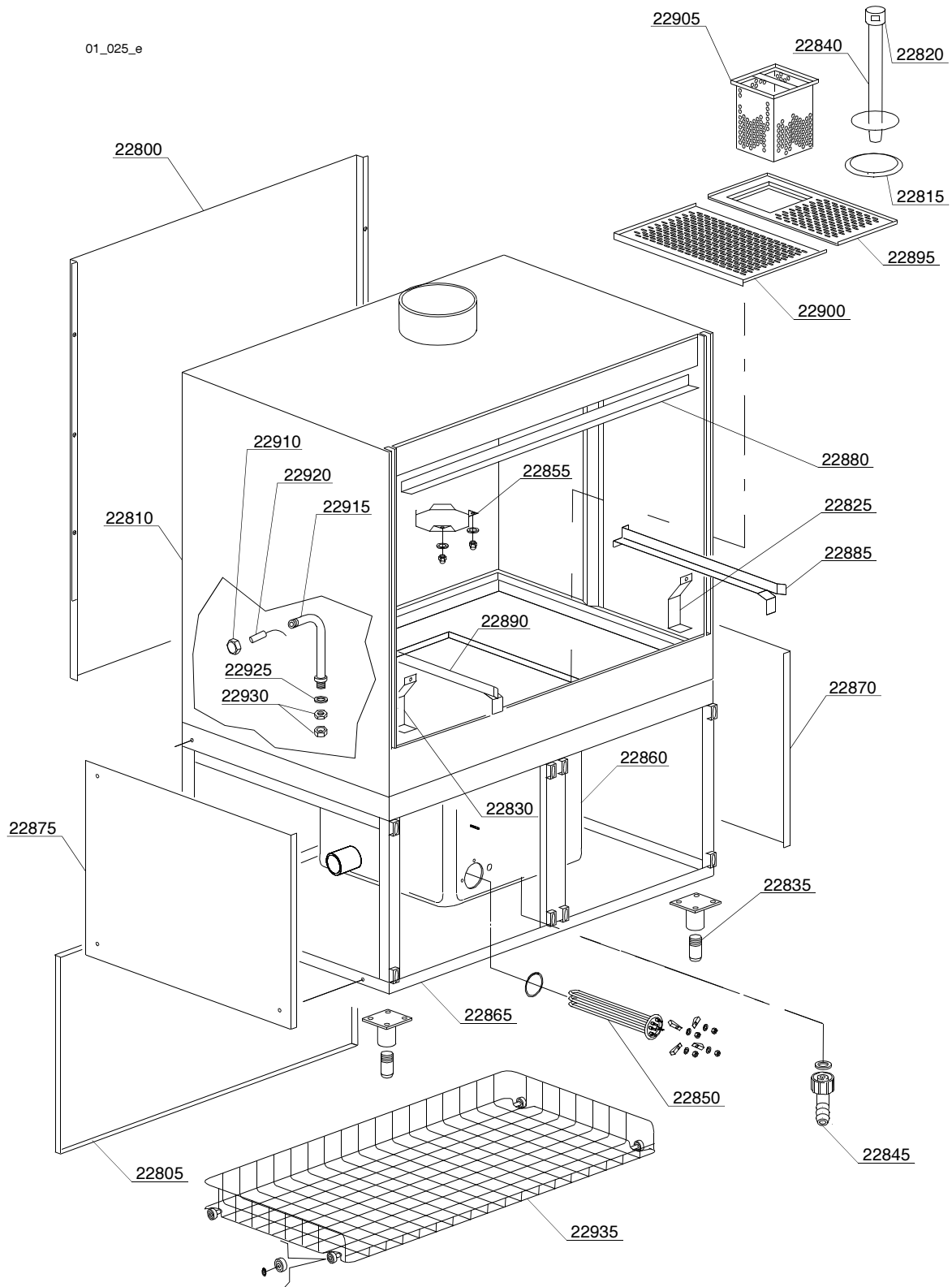
General body parts.....	7
Lockup system	9
Control panel	11
Control electric components.....	13
Solenoid valve group	15
Booster pump.....	17
DVGW	19
Shining product dosing device group .	21
Boiler group	23
3 ways derivation.....	25
Wash pump	27
Pressure switch group with air trap ...	29
Turret group with rotating arms	31

1.1 Voltage codes

Voltage code	Voltage
A	3/N/PE~400/230V 50Hz
B	~250V 16A 50Hz
C	3/N/PE~380/220V 50Hz
D	3/PE~200V 50-60Hz
F	2/PE 220-240V 50Hz
G	3/N/PE~415/240V 50Hz
H	3/PE~230V 50Hz
I	3/PE~220V 60Hz
J	3/PE~380 50Hz
K	3/PE~400V 50Hz
L	3/PE~415V 50Hz
M	3/PE~440V 60Hz
N	3/PE~460V 60Hz
O	3/PE~480V 60Hz
P	1/N/PE~220-240V 50Hz
R	2/PE~220-230V 60Hz
S	3/N/PE~400/230V 50Hz
T	3/PE~230V 60Hz

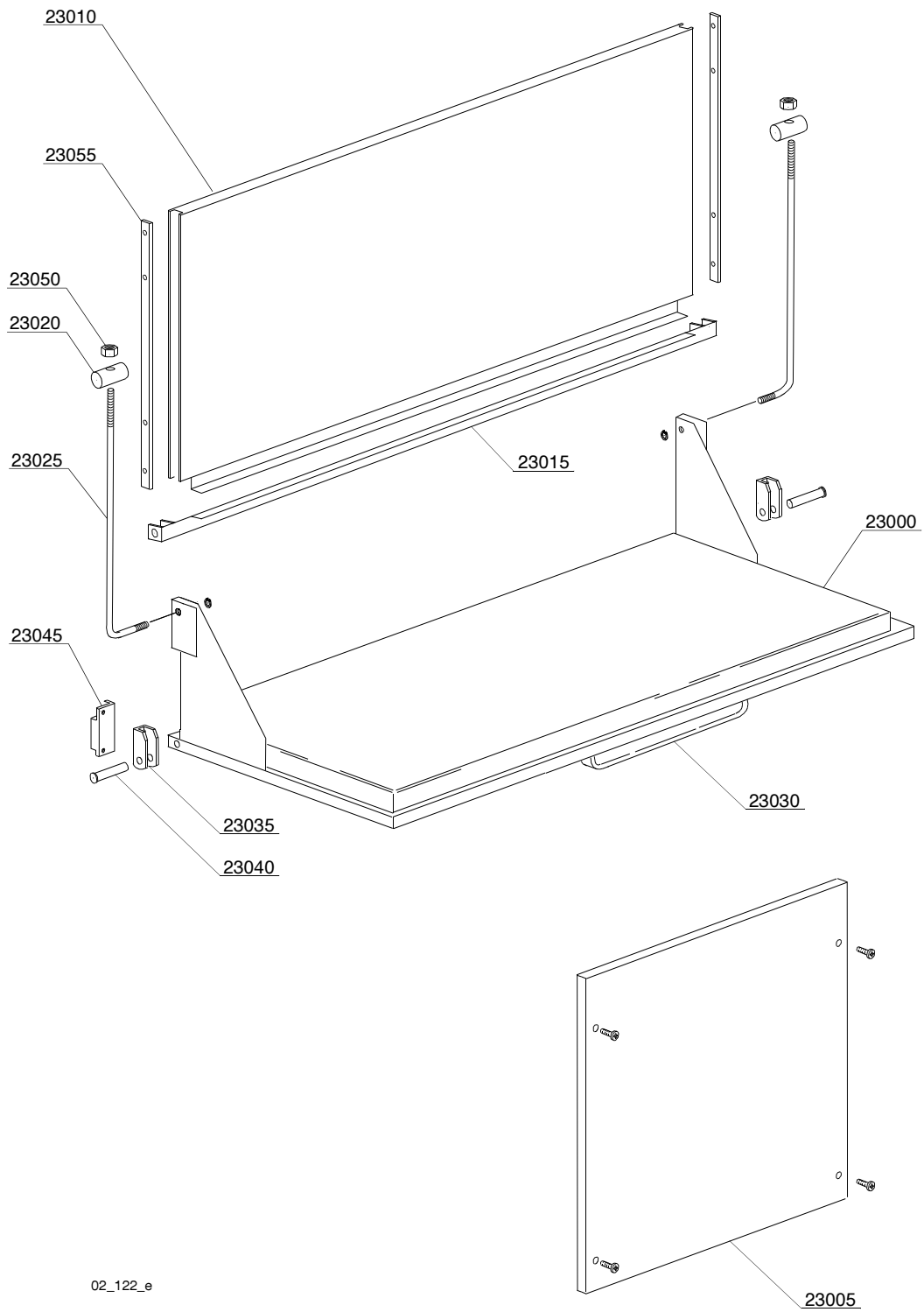
1.2 Product codes

Product code	Full name
Model codes	
em	ELECTROMECHANICAL SWITCHES
mc	SIMPLE BODY VERSION
Type codes	
35U	35U
Accessory codes	
pap	BOOSTER PUMP
dvgw	DVGW
dde	DETERGENT DISPENCER



Spare parts

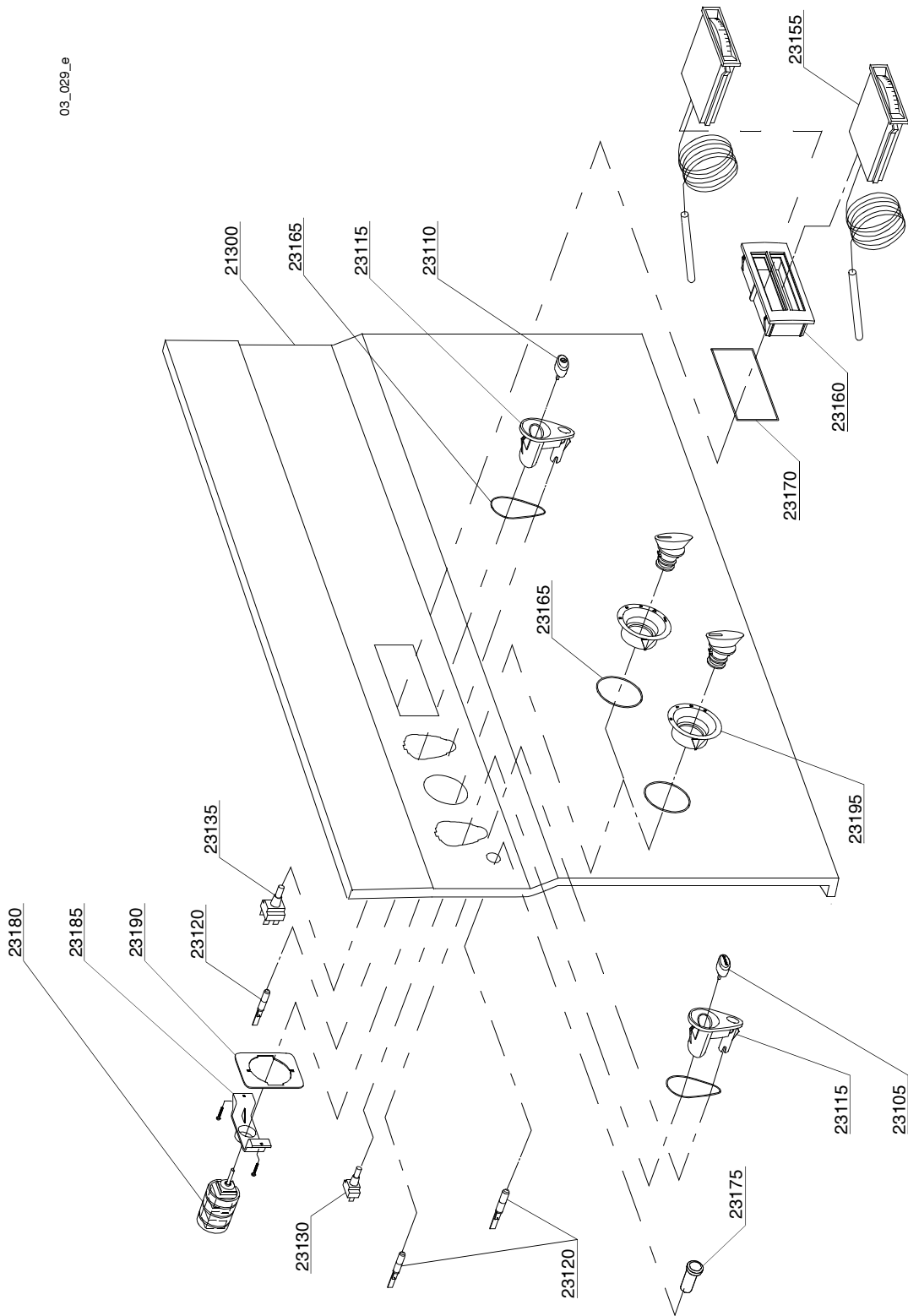
ID	P-code	Model	Type	Accessory	Voltage	Description
MODULE:General body parts						
22800	89909		35U			Back panel
22805	89910		35U			Lower back panel
22810	89902		35U			Body
22815	11600002		35U			Flange gasket
22820	11600019		35U			Terminal overflow pipe
22825	80936		35U			Right splash guard
22830	80937		35U			Left splash guard
22835	80116		35U			Foot
22840	89933		35U			Overflow pipe
22845	15613/A		35U			Drain elbow
22850	30001011		35U			9KW heating element
22855	80931		35U			Chimney splash guard
22860	89903		35U			Tank
22865	89904		35U			Base
22870	89905		35U			Right lower panel
22875	89906		35U			Left lower panel
22880	89926		35U			Upper chimney
22885	89911		35U			Right internal slide
22890	89912		35U			Left internal slide
22895	89916		35U			Front surface filter
22900	89915		35U			Back surface filter
22905	88302		35U			Trap filter
22910	88114		35U			Nut
22915	89006		35U			Reed-holder
22920	2000309		35U			Economizer reed
22925	10200171		35U			25x17x2 gasket
22930	22214		35U			Nut
22935	C118		35U			Stainless steel basket with wheels



02_122_e

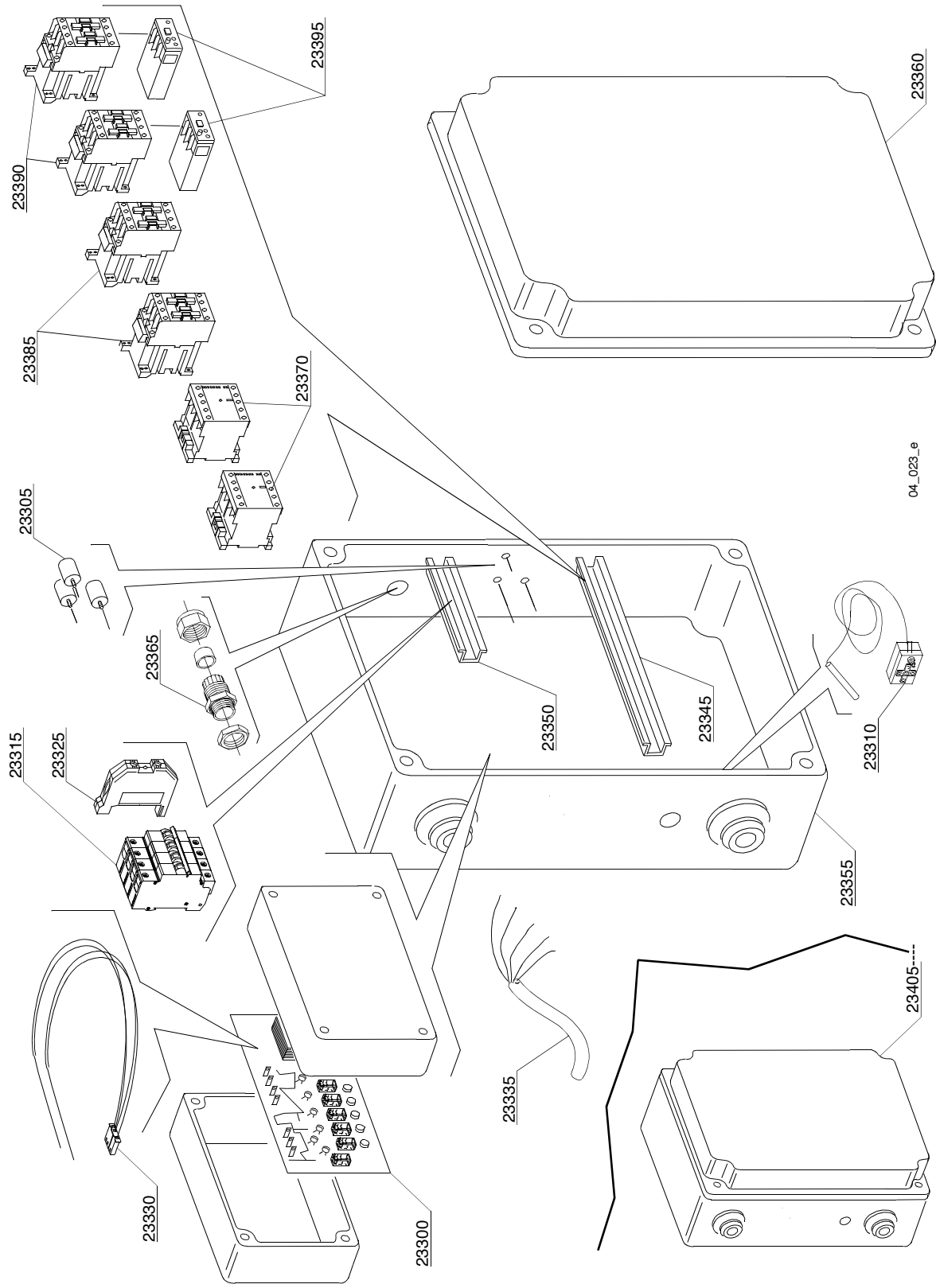
Spare parts

ID	P-code	Model	Type	Accessory	Voltage	Description
MODULE:Lockup system						
23000	89901		35U			Door with steel handle
23005	89907		35U			Lower door
23010	89900		35U			Upper door
23015	89922		35U			Levers support
23020	22219		35U			Small cylinders
23025	22220		35U			Door rod
23030	80750		35U			Stainless steel handle
23035	22206/B		35U			Door support
23040	22220/A		35U			Hinge door
23045	80232		35U			Reed magnet
23050	11721		35U			Nut
23055	80700		35U			Slide for door



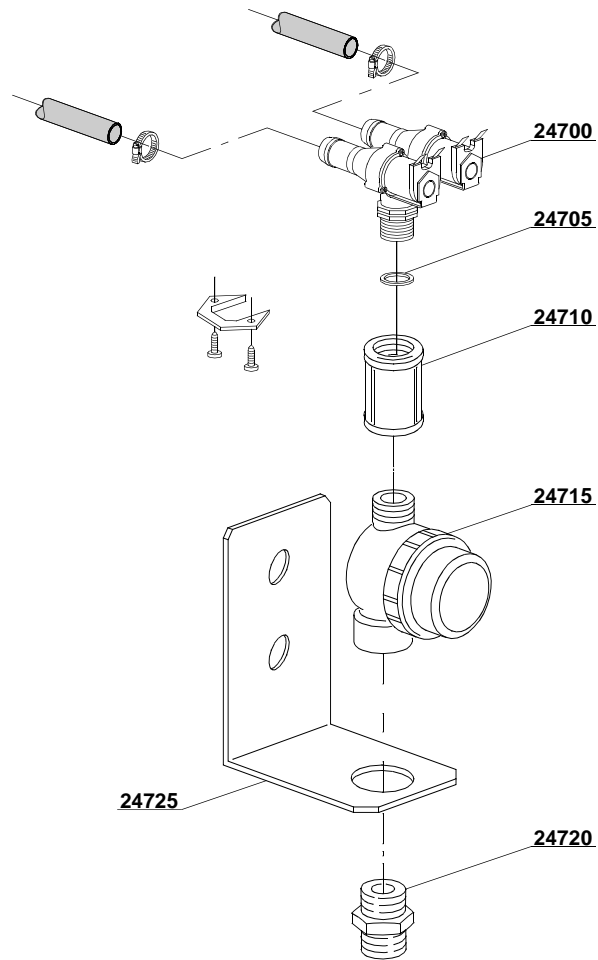
Spare parts

ID	P-code	Model	Type	Accessory	Voltage	Description
MODULE:Control panel						
23100	89932		35U			Control panel
23105	89341		35U			Start key
23110	89340		35U			ON-OFF key
23115	89300		35U			Key support
23120	15826		35U			Pilot lamp
23130	15813		35U			16A unipolar push button
23135	15812		35U			16A switch
23155	10500011		35U			Thermometer
23160	89306		35U			Double thermometer support
23165	89332		35U			OR gasket
23170	89331		35U			OR gasket
23175	15826/C		35U			Red gem
23180	80411		35U			5 position selector with knob
23185	89322		35U			Selector support
23190	89323		35U			Screw holder
23195	89320		35U			Push selector switch support



Spare parts

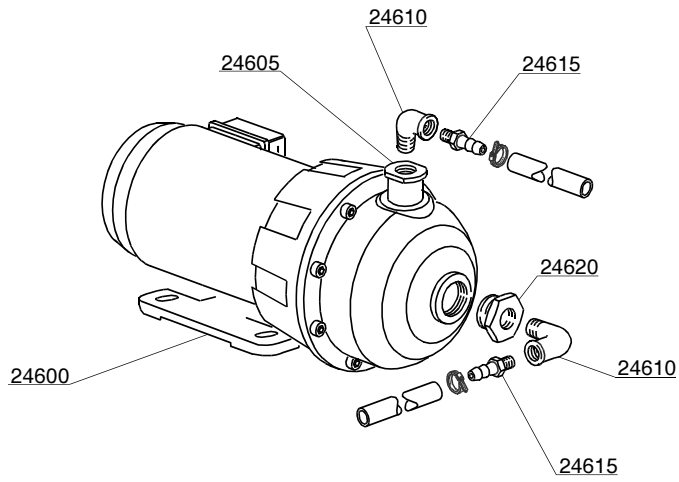
ID	P-code	Model	Type	Accessory	Voltage	Description
MODULE:Control electric components						
23300	50556		35U		A	3/6/9 min. electronic timer
23305	15149		35U			Low noise filter
23310	2000430		35U			Safety thermostat
23315	2000411		35U			Automatic fuse C32
23325	10300401		35U			6/8mm ² yellow/green terminal
23330	50563		35U			Thermostat probe
23335	80200		35U			5x4x3400 cable
23345	80408		35U			L=345mm slide
23350	80409		35U			L=140mm slide
23355	80417		35U			Fairlead
23360	80407		35U			Proof box
23365	80414		35U			Cable-press
23370	15086		35U			Remote control switch 230V 50/60Hz 4C
23385	10300050		35U			25A/12A remote control switch
23390	10300054		35U			25A/16A remote control switch
23395	2907080		35U			6-10A temperature relay
23405	89100		35U			400Vac 3N complet electric box



05_006_e

Spare parts

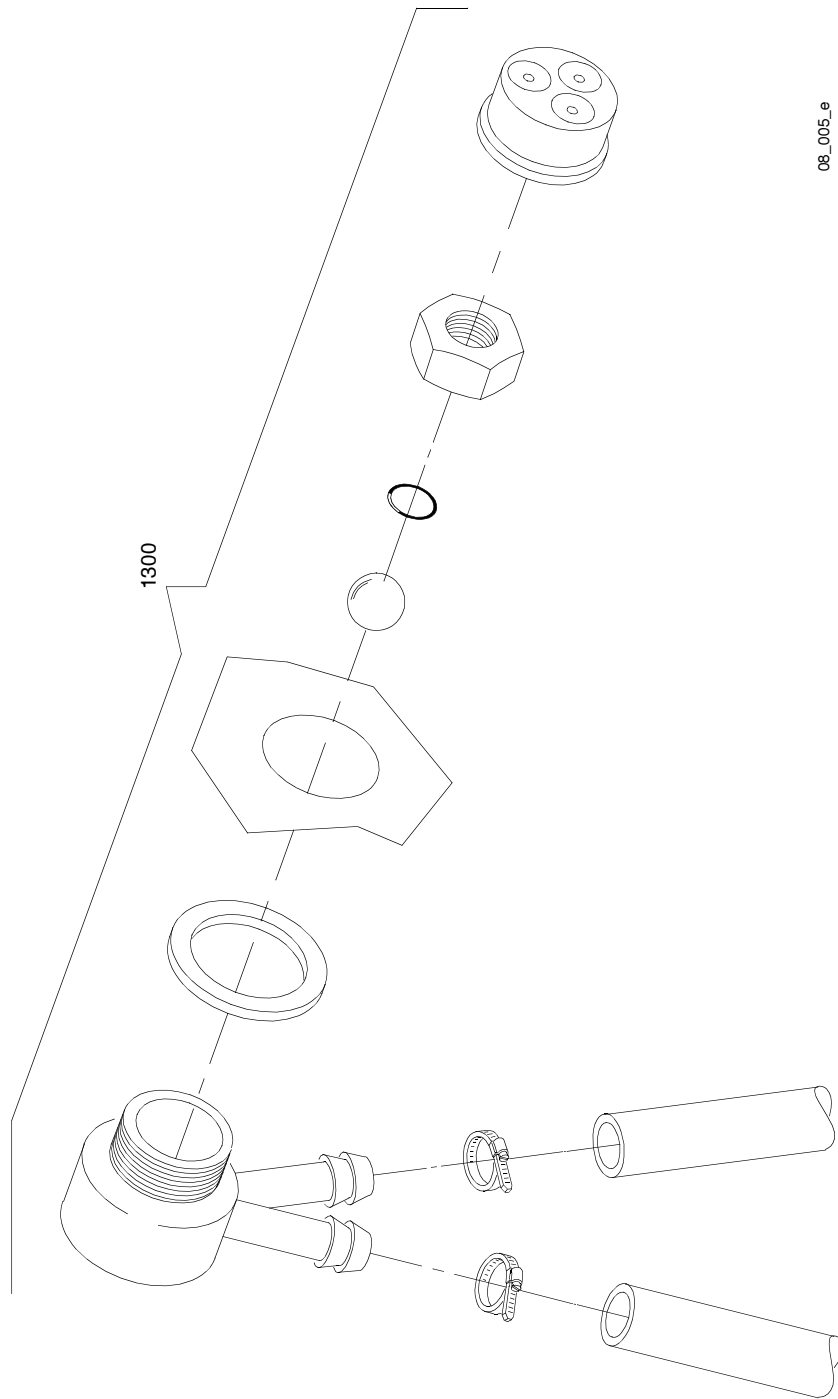
ID	P-code	Model	Type	Accessory	Voltage	Description
MODULE:Solenoid valve group						
24700	30001001		35U			Single solenoid valve
24705	N.C.		35U			Pression reducing valve
24710	80275		35U			Pipe coupling
24715	2000121		35U			Filter
24720	12025		35U			Nipple
24725	22236		35U			Support



07_004_e

Spare parts

ID	P-code	Model	Type	Accessory	Voltage	Description
MODULE:Booster pump						
24600	15100/L		35U	bp		Booster pump
24605	80273		35U	bp		1 - 3/8 pipe fitting
24610	12017		35U	bp		Elbow
24615	10221311		35U	bp		Rubber-holder
24620	80272		35U	bp		1 1/4 - 3/8 pipe fitting

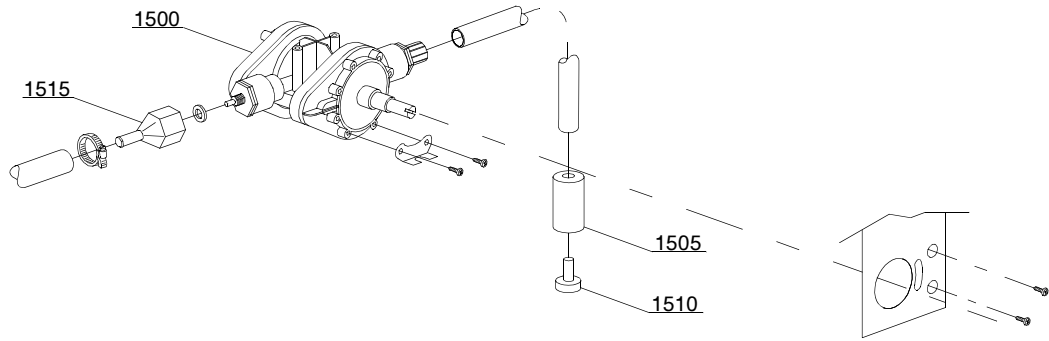


08_005_e

Spare parts

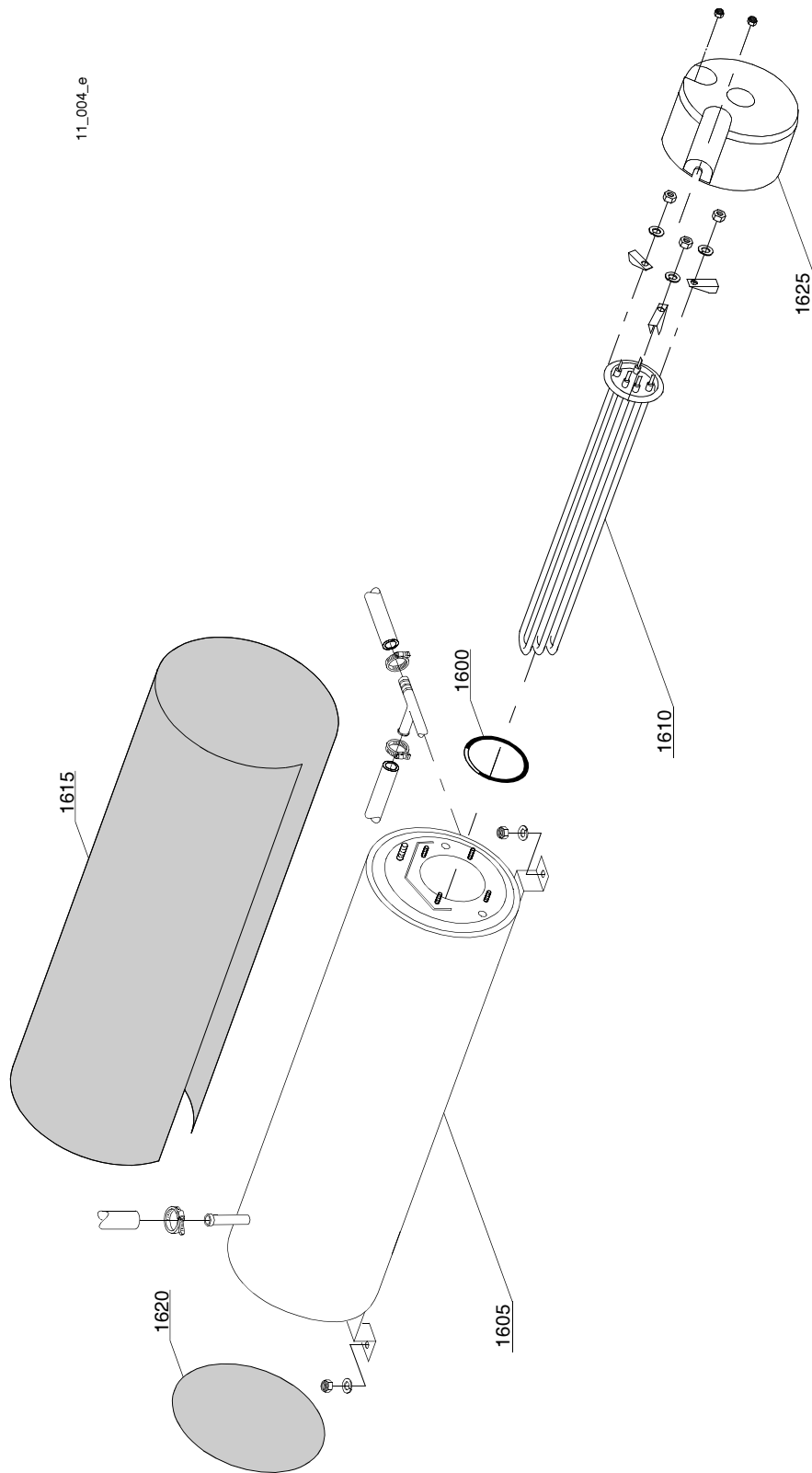
ID	P-code	Model	Type	Accessory	Voltage	Description
MODULE:DVGW						
1300	999900006		35U	dvgw		DVGW assembly

10_002_e



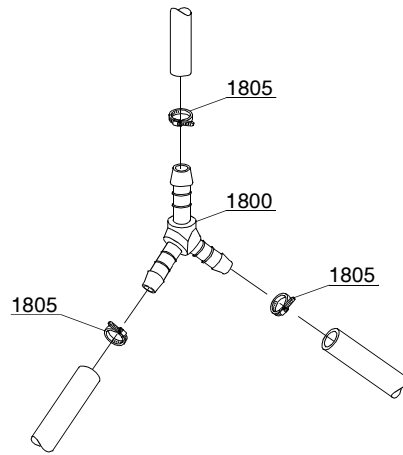
Spare parts

ID	P-code	Model	Type	Accessory	Voltage	Description
MODULE:Shining product dosing device group						
1500	10798		35U			Shining product dosing device
1505	12525		35U			Counter-weight
1510	15058		35U			Small filter
1515	10798/B		35U			Brass pipe fitting



Spare parts

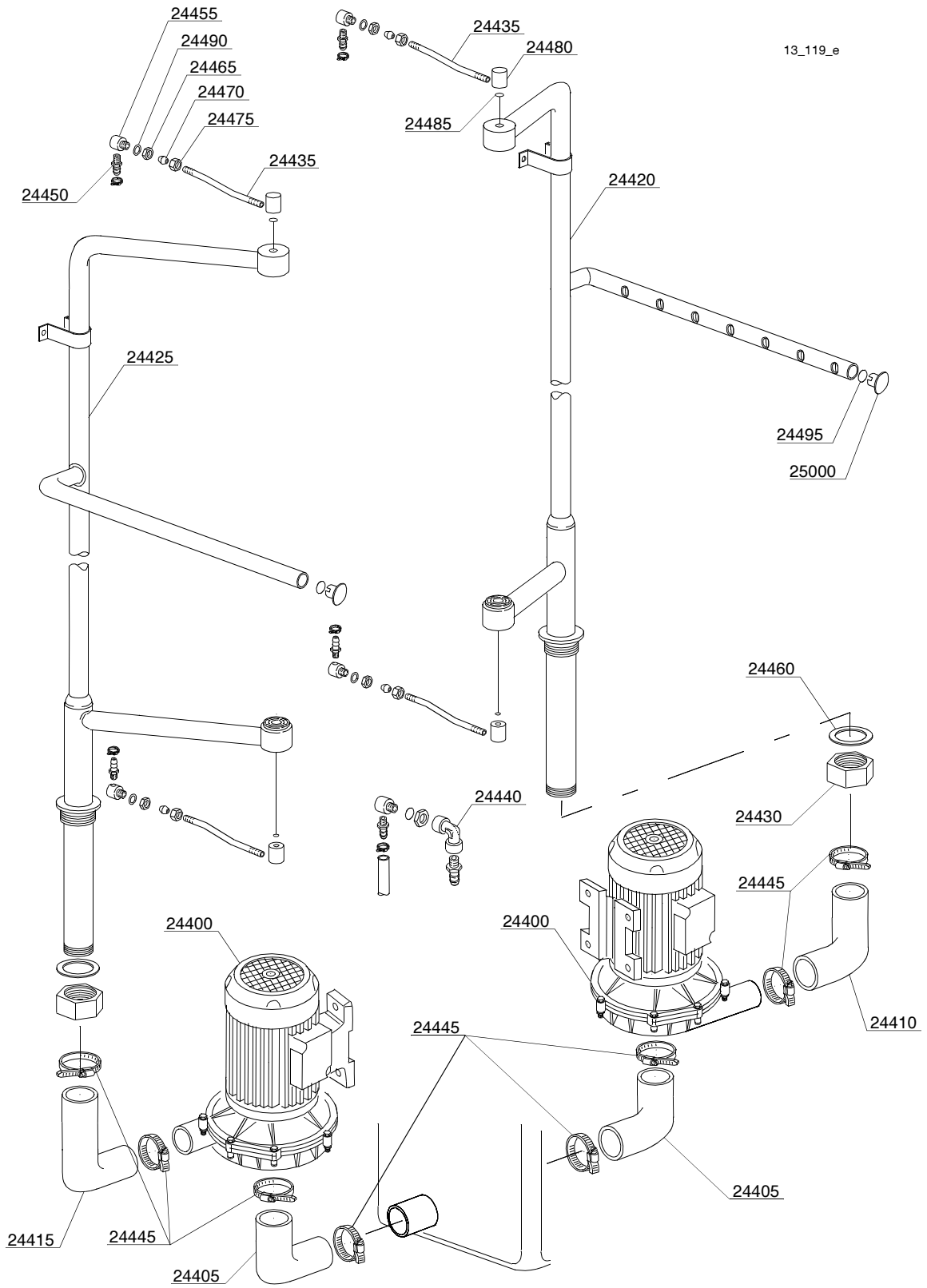
ID	P-code	Model	Type	Accessory	Voltage	Description
MODULE:Boiler group						
1600	13015		35U			6225 OR 160 NBR gasket
1605	89005		35U			Boiler
1610	30001011		35U			9KW heating element
1610	30001011/B		35U			14KW heating element
1615	30002030		35U			Insulating boiler
1620	75205		35U			Ø160 bottom
1625	75311		35U			Heating element guard



12_003_e

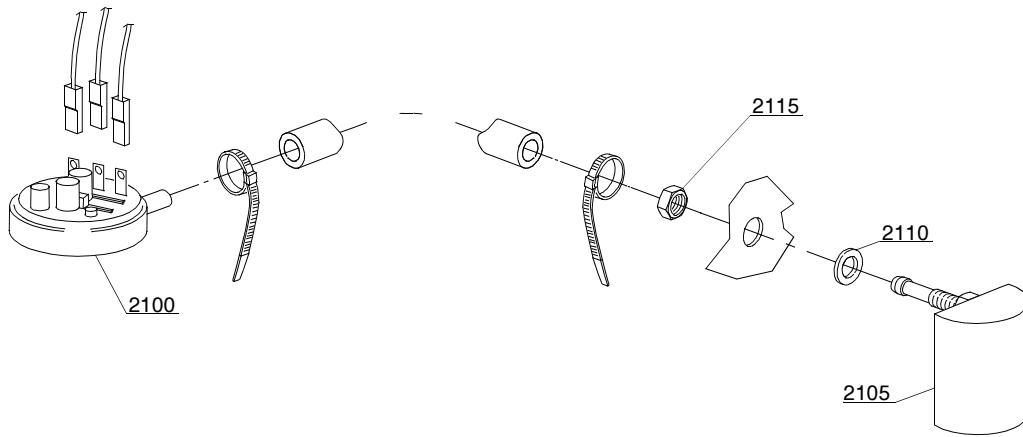
Spare parts

ID	P-code	Model	Type	Accessory	Voltage	Description
MODULE:3 ways derivation						
1800	540091		35U			Ø12 mm plastic 3 ways derivation
1805	11807		35U			12/22 clamp



Spare parts

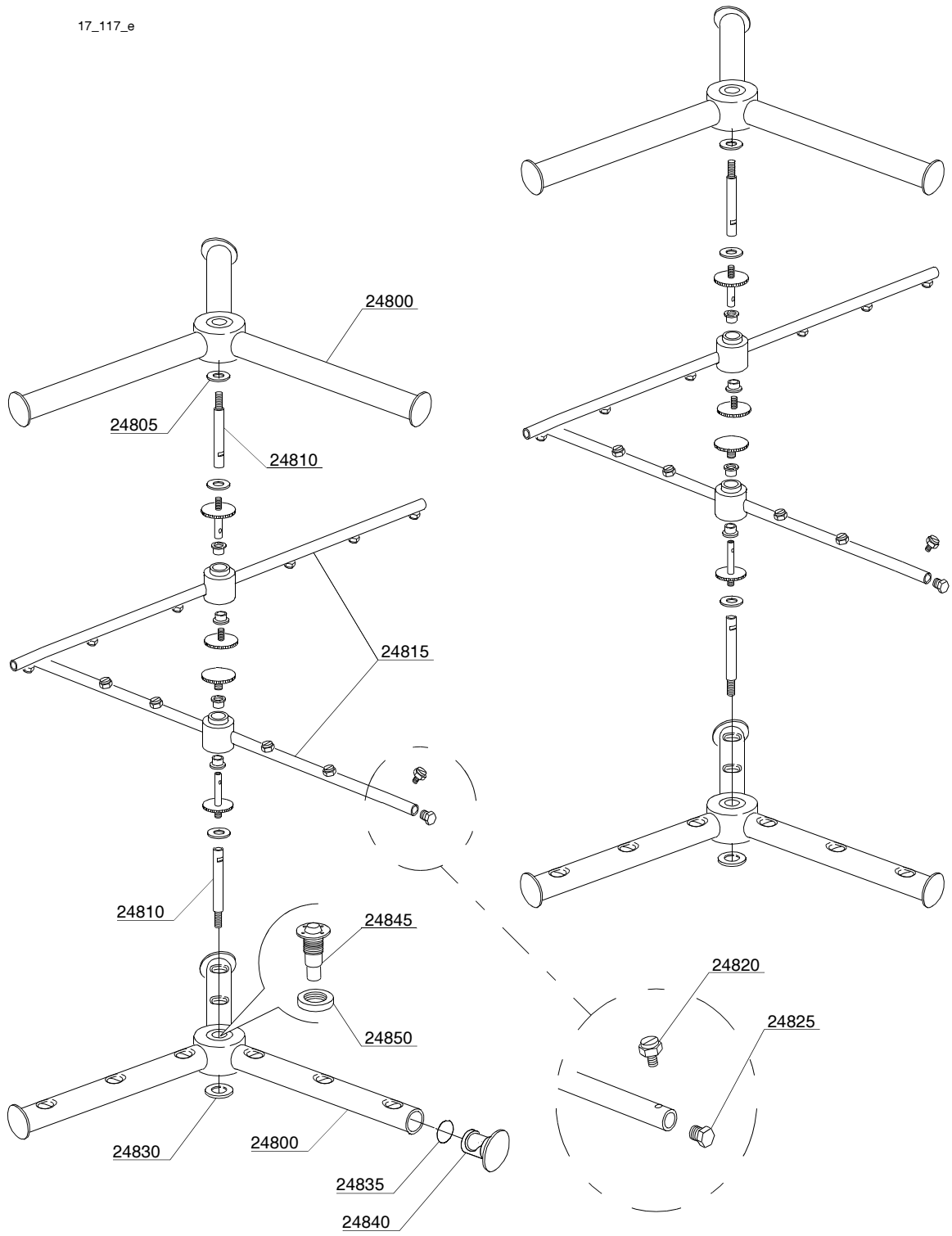
ID	P-code	Model	Type	Accessory	Voltage	Description
MODULE:Wash pump						
24400	80912		35U			3,6Hp wash pump
24405	3002020		35U			Suction pipe coupling
24410	10200124/A		35U			Right top delivery pipe
24415	550221		35U			Left top delivery pipe
24420	89001		35U			Right wash ramp
24425	89002		35U			Left wash ramp
24430	88127		35U			Ramp fixing nut
24435	89004		35U			Rinse pipe
24440	12018		35U			Elbow
24445	2902491		35U			60/80 clamp
24450	12005		35U			Rubber-holder
24455	80231		35U			Rinse pipe fitting
24460	10200173/A		35U			75x58x3 gasket
24465	10200101		35U			Nut
24470	10200182		35U			Bicone washer
24475	10600016		35U			Nut
24480	10600202		35U			Rinse elbow
24485	13009		35U			OR 2050 NBR gasket
24490	10200171		35U			25x17x2 gasket



16_001_e

ID	P-code	Model	Type	Accessory	Voltage	Description
MODULE:Pressure switch group with air trap						
2100	88110		35U			260-30 pressure switch
2105	80106		35U			Air trap assembly
2110	13301		35U			Gasket
2115	11702		35U			M8 stainless steel nut

17_117_e



Spare parts

ID	P-code	Model	Type	Accessory	Voltage	Description
MODULE:Turret group with rotating arms						
24800	90004		35U			Upper/lower complet wash rotor
24805	13009		35U			OR 2050 NBR gasket
24810	80321		35U			Top axle
24815	90003		35U			Rinse group
24820	560018		35U			Stainless steel rinse nozzle
24825	560017		35U			Rinse arm plug
24830	11600033		35U			Flux reducer
24835	13023		35U			OR 131 (4093) NBR gasket
24840	3003029		35U			Plastic plug
24845	88975		35U			Hub for rotor
24850	75317		35U			Nut for hub