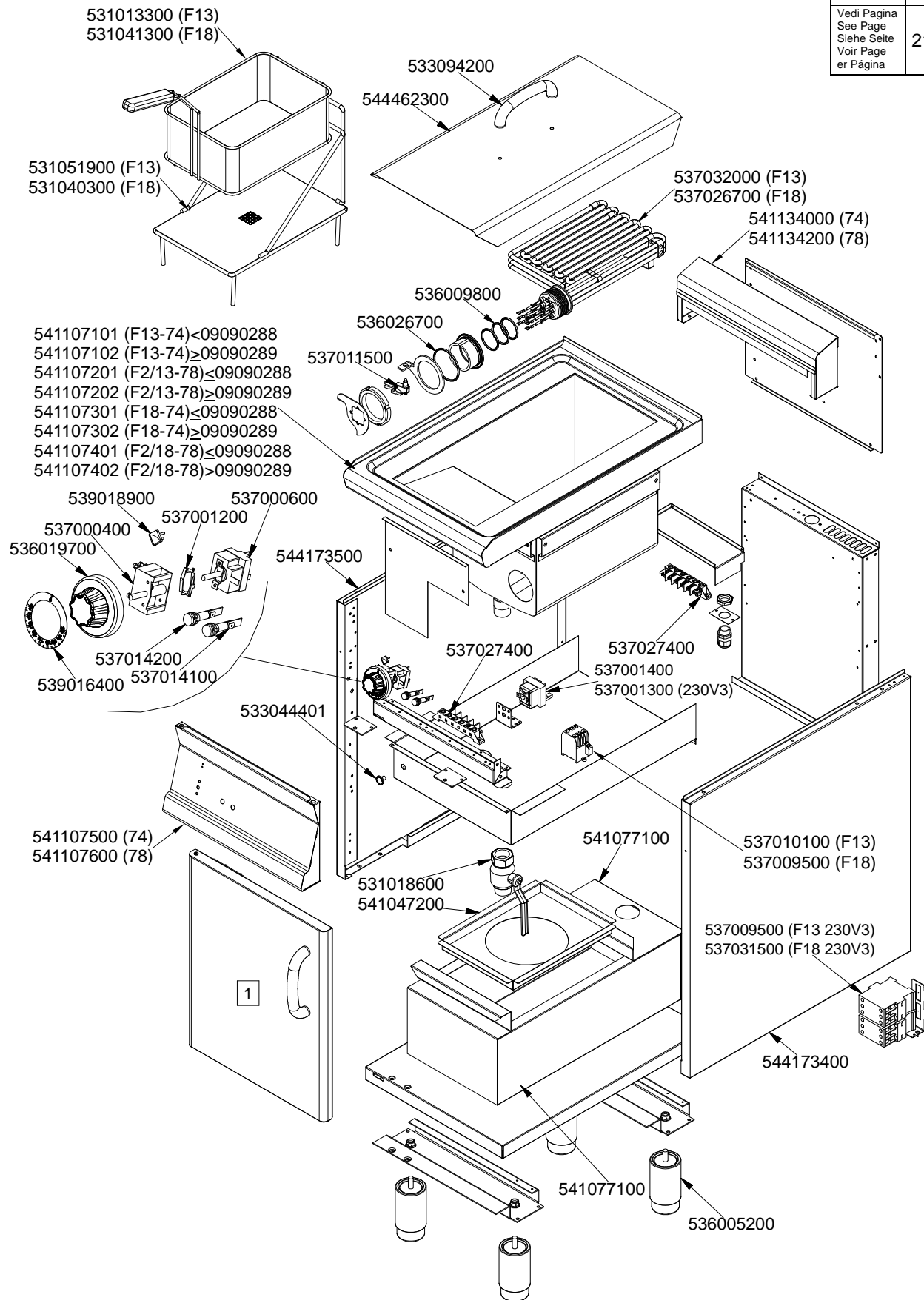


# SUPERLOTUS 70≥0602

ELETTRICO / ELECTRIC / ELEKTRO / ELECTRIQUE

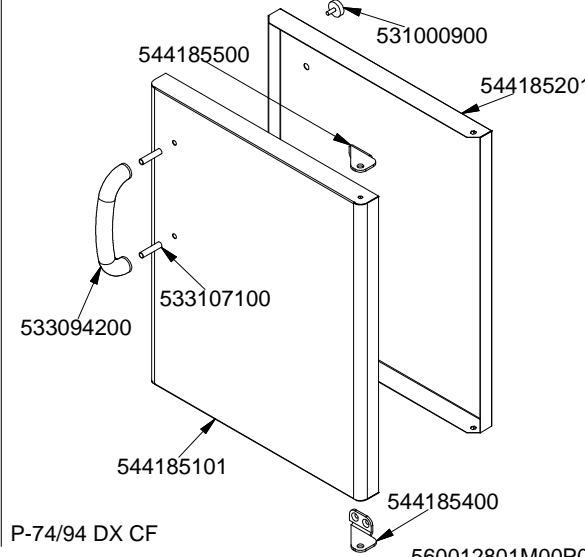
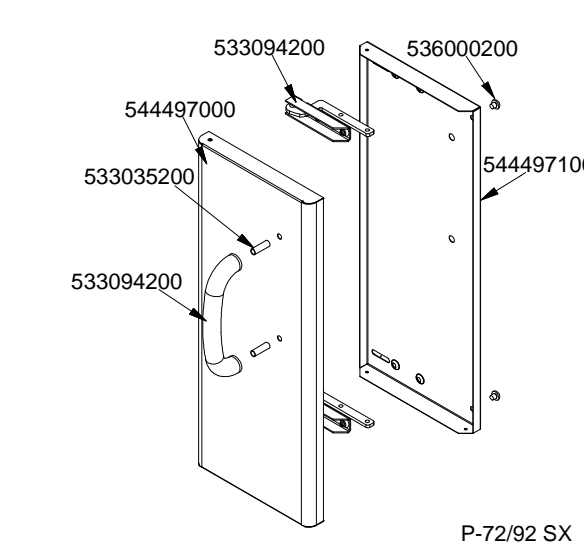
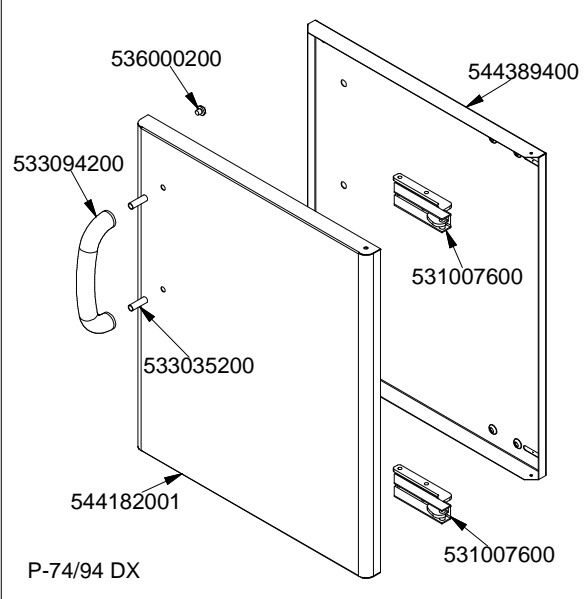
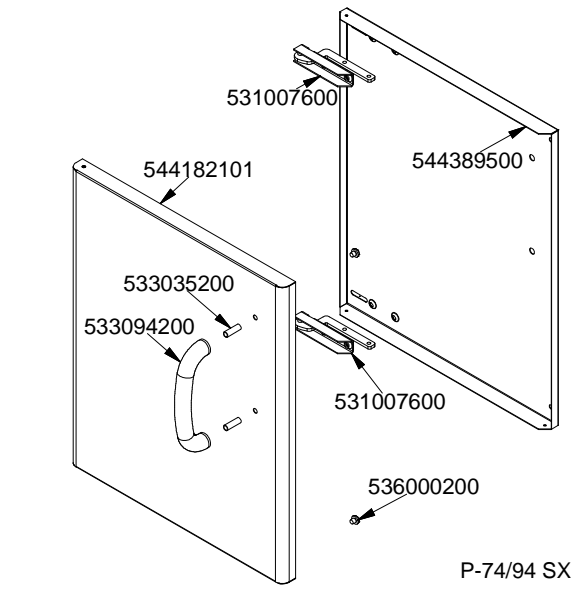
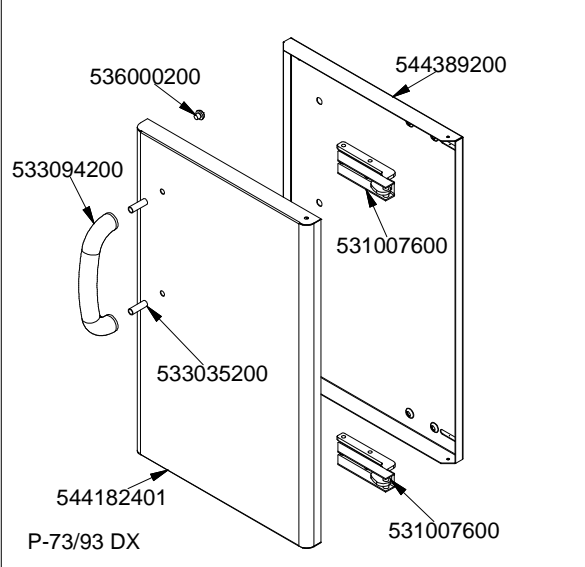
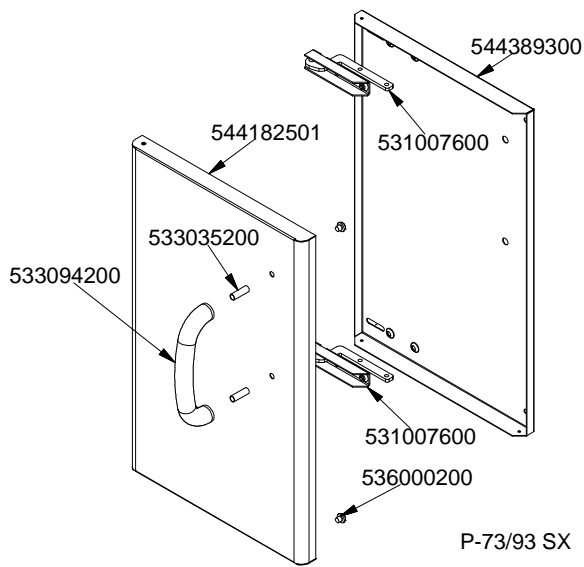
**F13-74ET F2/13-78ET F18-74ET F2/18-78ET≥07040724**

|  |     |
|--|-----|
|  | 1   |
| Vedi Pagina<br>See Page<br>Siehe Seite<br>Voir Page<br>er Pagina | 216 |



560011302M00P00

**PORTE / DOORS / FLÜGELÜREN / PORTES**



| Page | Pos | Code      | Description                         |
|------|-----|-----------|-------------------------------------|
| 001  |     | 531041300 | BASKET FOR F18-94E 280X290X150      |
| 001  |     | 533094200 | S/S HANDLE FOR 70/90 SERIES         |
| 001  |     | 544462300 | TANK LID FOR F-70                   |
| 001  |     | 531040300 | TANK FILTER/BASKET SUPPORT F18-94E  |
| 001  |     | 537026700 | HEATING EL.13500W 230V 3 ROTAT.EL.  |
| 001  |     | 541134000 | NEUTRAL LOW SPACER 74               |
| 001  |     | 536009800 | GASKET O-RING 47,22X3,53 VITON      |
| 001  |     | 536026700 | GASKET O-RING 74,61X3,53 VITON      |
| 001  |     | 537011500 | MICRO-SWITCH 16A                    |
| 001  |     | 541107301 | UPPER PLATE F18-74E                 |
| 001  |     | 541107302 | UPPER PLATE F18-74E                 |
| 001  |     | 539018900 | INDEX FOR KNOB                      |
| 001  |     | 537000600 | THERMOSTAT 90-180°C SINGLEPHASE     |
| 001  |     | 537000400 | COMMUTATOR 1POS.SINGLEPHASE S49 16A |
| 001  |     | 537001200 | FIXING BRACKET FOR THERMOSTAT/COMM. |
| 001  |     | 536019700 | BLACK KNOB §70 PIN §6*5             |
| 001  |     | 544173500 | LEFT SIDE PANEL S.70                |
| 001  |     | 537014200 | GREEN WARNING LIGHT 250V            |
| 001  |     | 539016400 | ADHESIVE GRADUATED DISC FOR KNOB    |
| 001  |     | 537014100 | WHITE WARNING LIGHT 250V            |
| 001  |     | 533044401 | M8 THREADED CAP FOR SEC.THERMOSTAT  |
| 001  |     | 537027400 | TERMINAL BLOCK THREEPHASE 40A       |
| 001  |     | 537001400 | SAFETY THERMOSTAT 235°C THREEPHASE  |
| 001  |     | 537001300 | SAFETY THERMOST.235°C SINGLEPH+NUT  |
| 001  |     | 541107500 | CONTROL PANEL F13/18-74E            |
| 001  |     | 531018600 | BALL VALVE 1"G M-F CPM-62G          |
| 001  |     | 541047200 | FILTER FOR DRIP TRAY                |
| 001  |     | 541077100 | FILTER FOR DRIP TRAY 23L            |
| 001  |     | 537009500 | REMOTE CONTROL SWITCH 3RT102 35A 23 |
| 001  |     | 537031500 | REMOTE CONTROL SWITCH 3RT102 35A 23 |
| 001  |     | 544173400 | RIGHT SIDE PANEL S.70               |
| 001  |     | 536005200 | INOX LEG 2" 120-180 M10             |
| 002  |     | 544389300 |                                     |
| 002  |     | 531007600 | DOOR HINGE                          |
| 002  |     | 544182501 | LEFT DOOR 73                        |
| 002  |     | 533035200 |                                     |
| 002  |     | 533094200 | S/S HANDLE FOR 70/90 SERIES         |
| 002  |     | 536000200 | D.12 H.4 BUMPER                     |
| 002  |     | 544389200 |                                     |
| 002  |     | 544182401 | RIGHT DOOR 73                       |
| 002  |     | 544389500 | INNER-DOOR OF LHD 74                |
| 002  |     | 544182101 | LEFT DOOR 74                        |
| 002  |     | 544389400 |                                     |
| 002  |     | 544182001 | RIGHT DOOR 74                       |
| 002  |     | 544497100 |                                     |
| 002  |     | 544497000 |                                     |
| 002  |     | 531000900 | MAGNET §22 KG.3 WITH DISK           |
| 002  |     | 544185500 | UPPER DOOR HINGE FOR COMPARTME CF70 |
| 002  |     | 544185201 |                                     |
| 002  |     | 533107100 |                                     |
| 002  |     | 544185101 | RIGHT DOOR 74 CF                    |

| <b>Page</b> | <b>Pos</b> | <b>Code</b> | <b>Description</b>                  |
|-------------|------------|-------------|-------------------------------------|
| 002         |            | 544185400   | LOWER DOOR HINGE FOR COMPARTME CF70 |