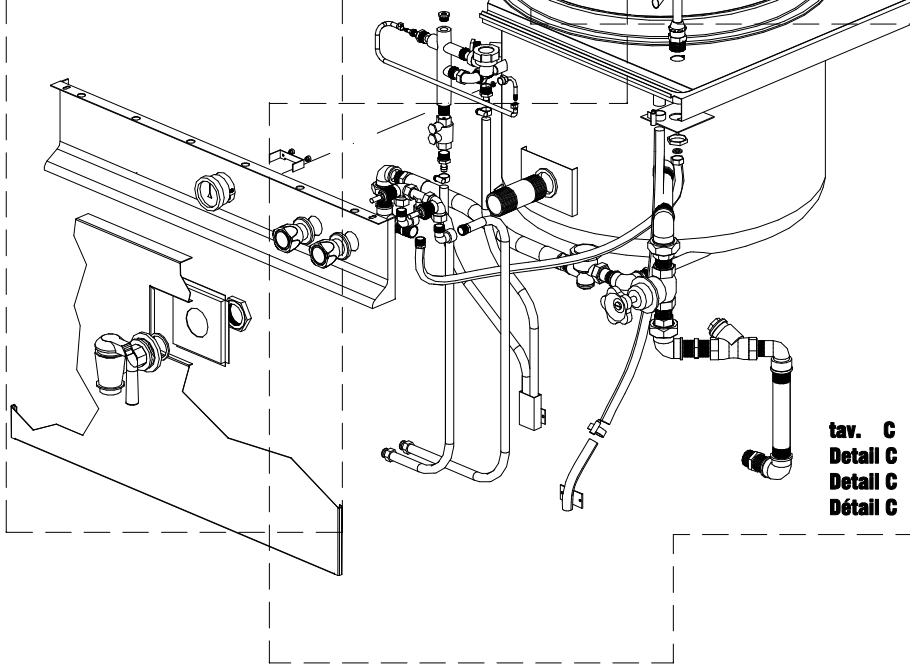
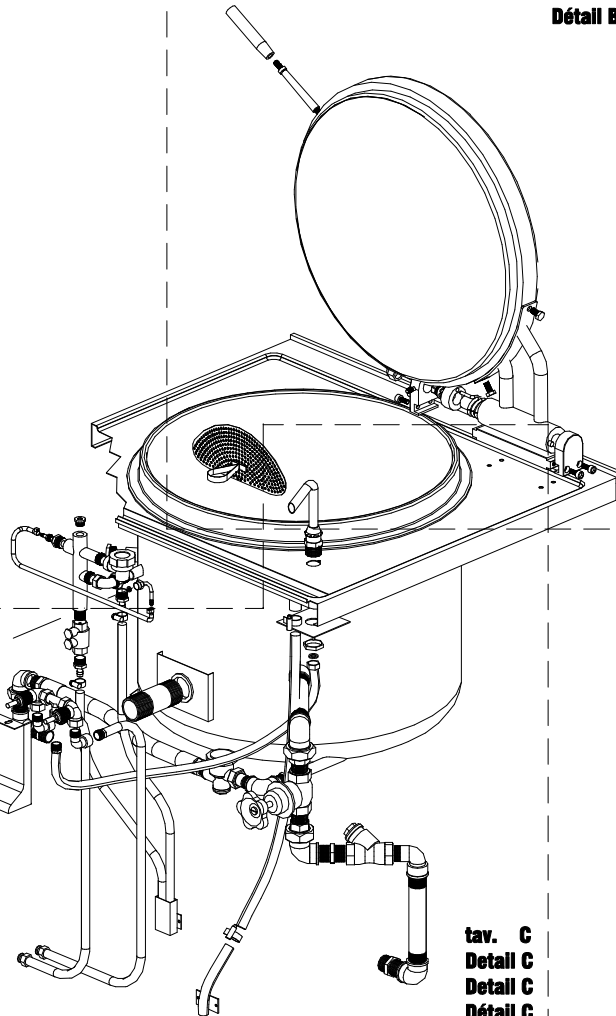


**tav. A**  
**Detail A**  
**Detail A**  
**Détail A**

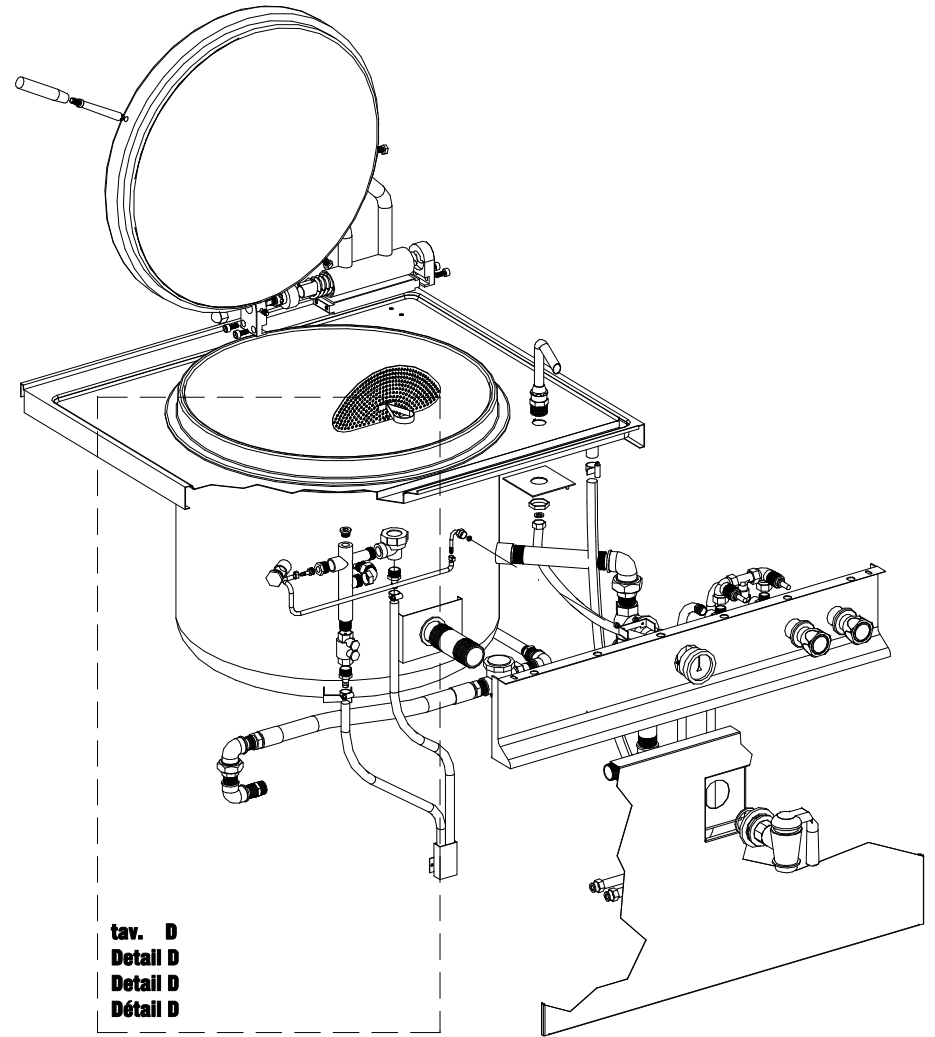


**tav. C**  
**Detail C**  
**Detail C**  
**Détail C**

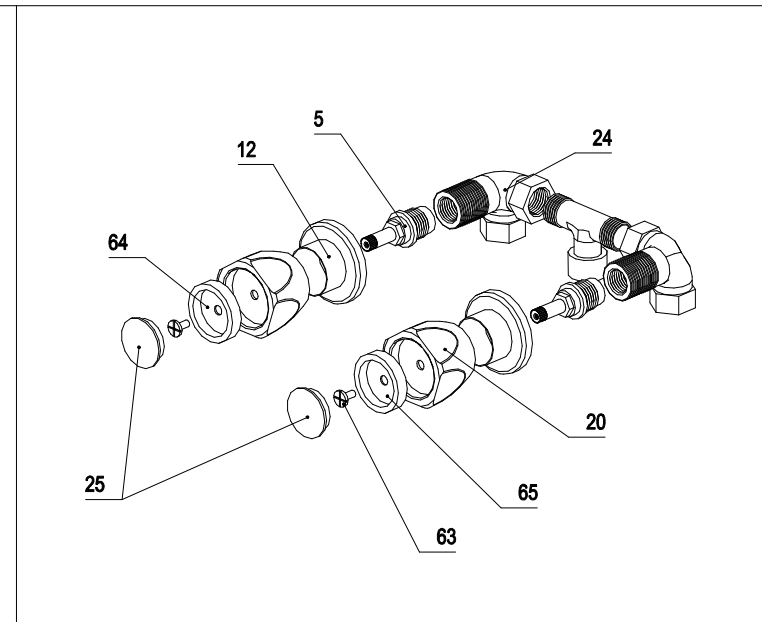
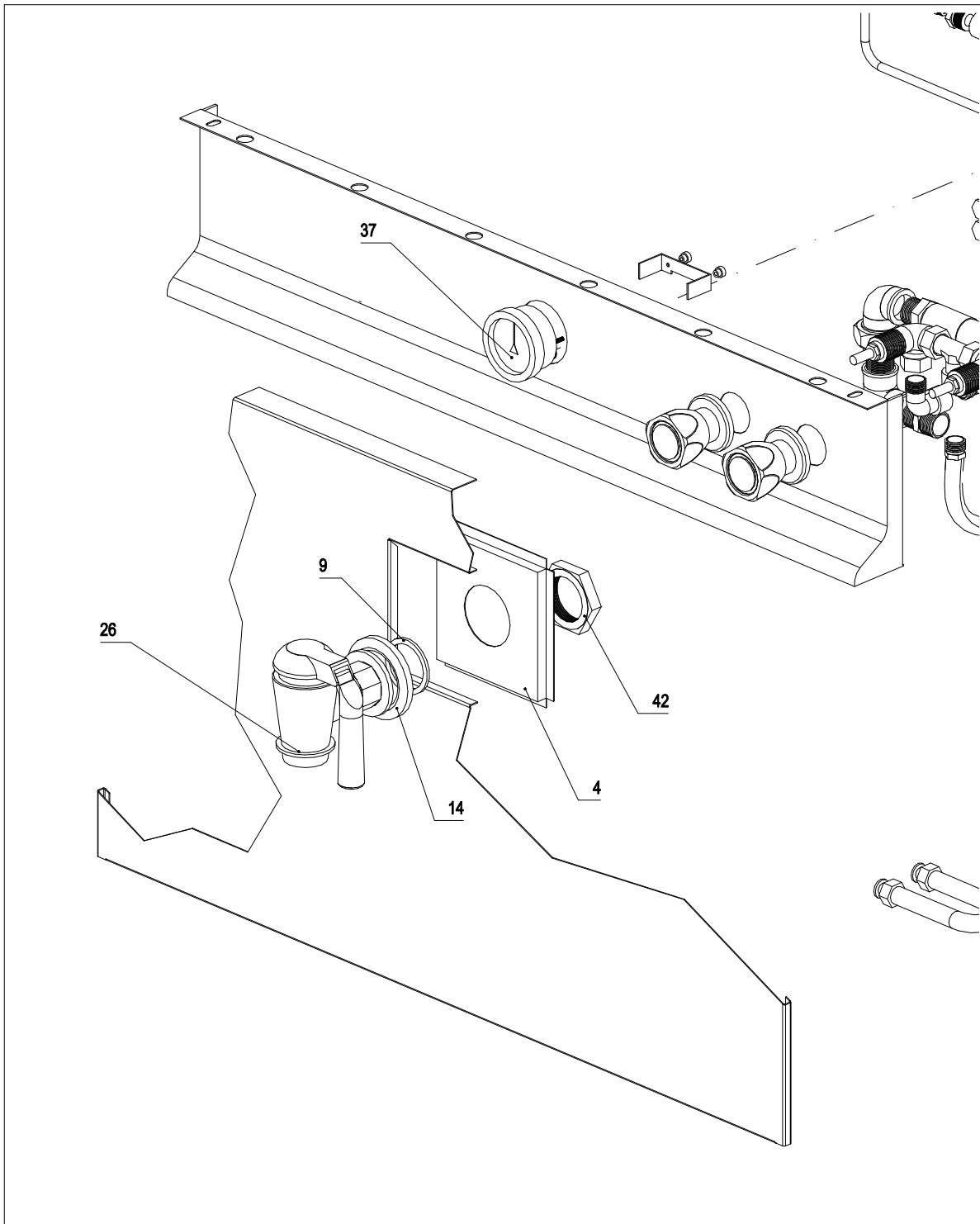
**tav. B**  
**Detail B**  
**Detail B**  
**Détail B**



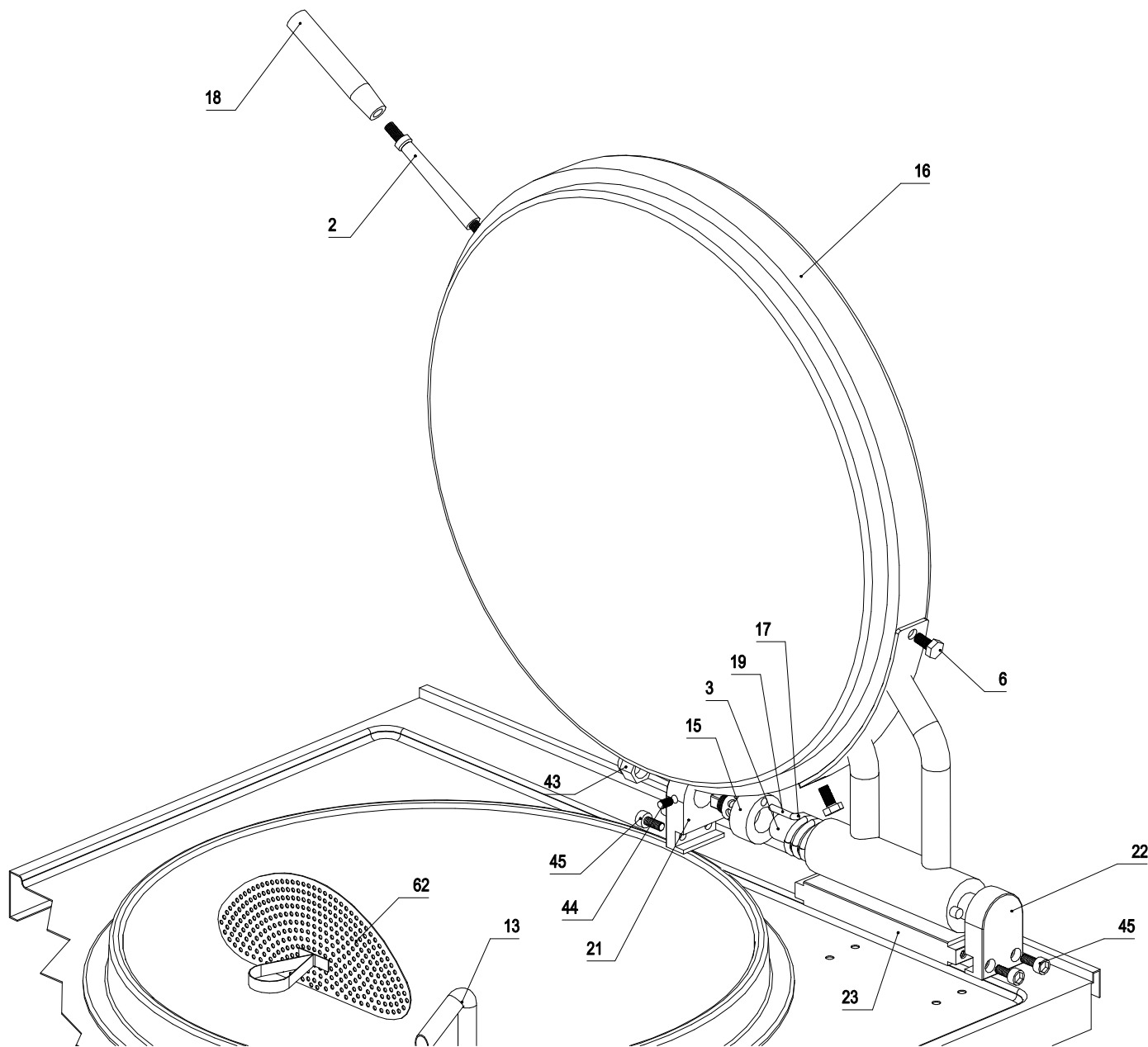
**tav. D**  
**Detail D**  
**Detail D**  
**Détail D**



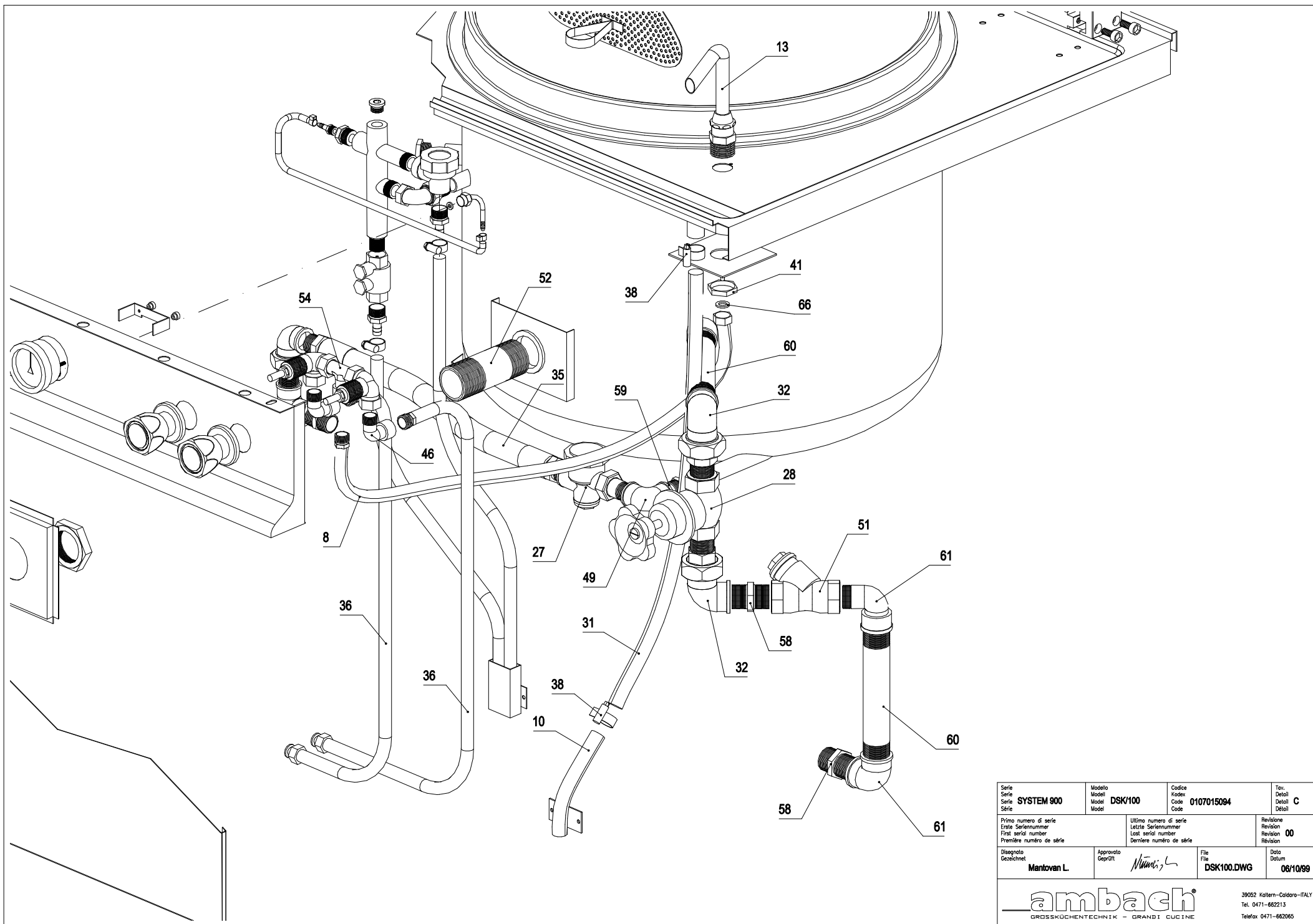
|  |   |                                   |  |
|--|---|-----------------------------------|--|
| Serie<br>Serie<br>Série  | Modello<br>Modell<br>Model  | Codice<br>Kodex<br>Code           | Tav.<br>Detail<br>Détail   |
| <b>SYSTEM 900</b>  | <b>DSK/100</b>  | <b>0107015094</b>                 |  |
| Primo numero di serie<br>Erste Seriennummer<br>First serial number<br>Première numéro de série | Ultimo numero di serie<br>Letzte Seriennummer<br>Last serial number<br>Dernière numéro de série | Revisione<br>Revision<br>Révision | <b>00</b>  |
| Disegnato<br>Gezeichnet  | Approvato<br>Geprüft  | File<br>File                      | Data<br>Datum  |
| <b>Mantovan L.</b>   | <i>Mantovan L.</i>  | <b>DSK100.DWG</b>                 | <b>06/10/99</b>  |
| <b>ambach</b><br>GROSSKÜCHENTECHNIK - GRANDI CUCINE  |   |                                   | 39052 Kallern-Caldaro-ITALY<br>Tel. 0471-862213<br>Telefax 0471-862085 |



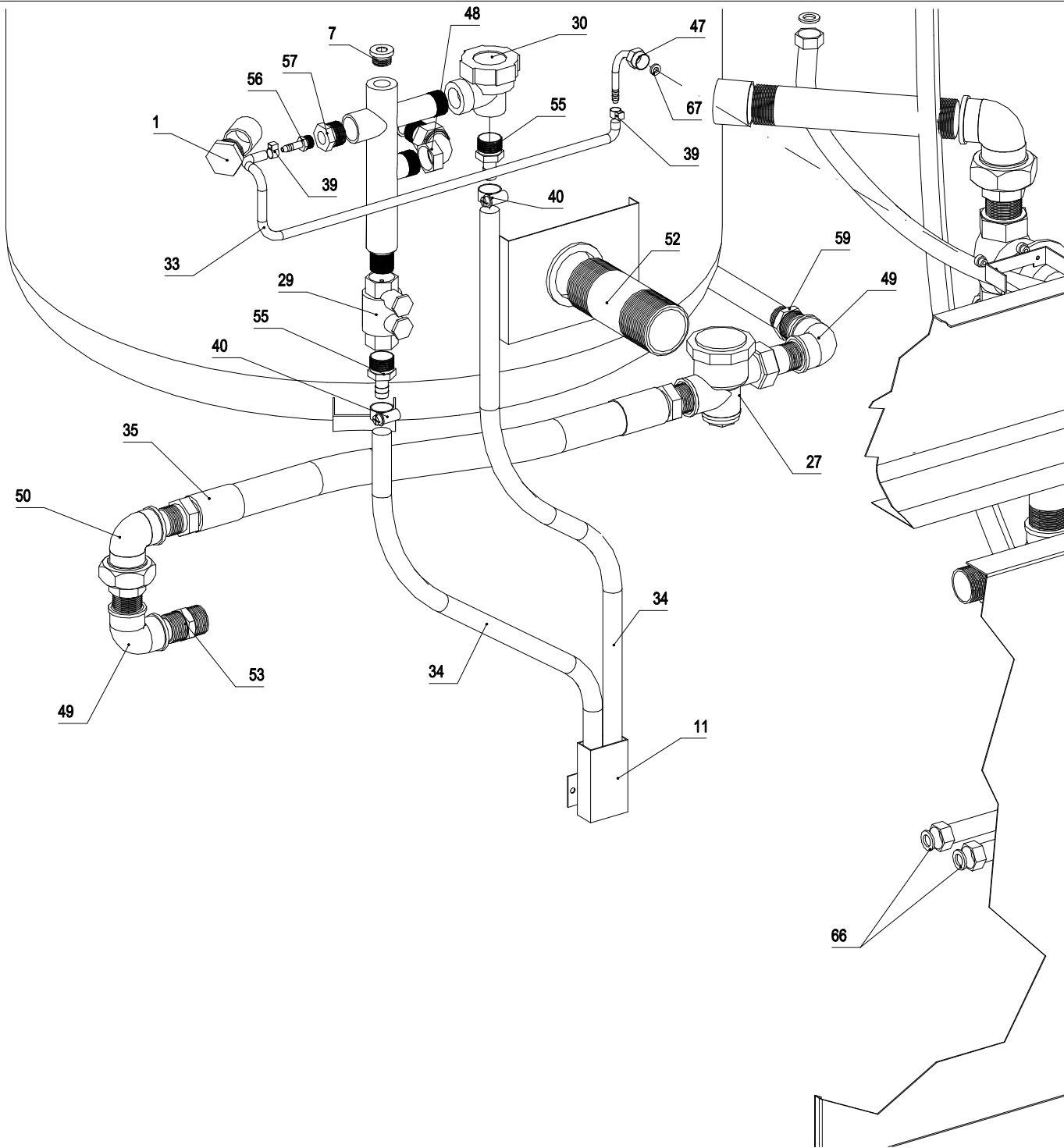
|  |   |  |                          |
|--|---|--|--------------------------|
| Serie<br>Modell<br>Model   | Serie<br>Modell<br>Model  | Codice<br>Kodex<br>Code  | Tov.<br>Detail<br>Détail |
| <b>SYSTEM 900</b>  | <b>DSK/100</b>  | <b>0107015094</b>  | <b>A</b>                 |
| Primo numero di serie<br>Erste Seriennummer<br>First serial number<br>Première numéro de série | Ultimo numero di serie<br>Letzte Seriennummer<br>Last serial number<br>Dernière numéro de série | Revisione<br>Revision<br>Revision                                      | <b>00</b>                |
| Disegnato<br>Gezeichnet  | Approvato<br>Geprüft  | File<br>Date   | Data<br>Datum            |
| <b>Mantovan L.</b>   | <i>Mantovan L.</i>  | <b>DSK100.DWG</b>  | <b>06/10/99</b>          |
| <b>ambach®</b><br>GROSSKÜCHENTECHNIK - GRANDI CUCINE   |   | 39052 Koltern-Caldaro-ITALY<br>Tel. 0471-662213<br>Telefax 0471-662065 |                          |



|  |   |  |                                    |
|--|---|--|------------------------------------|
| Serie<br>Serie<br>Serie<br>Serie   | Modello<br>Modell<br>Model<br>Model   | Codice<br>Kodex<br>Code<br>Code  | Tav.<br>Detail<br>Detail<br>Detail |
| <b>SYSTEM 900</b>  | <b>DSK/100</b>  | <b>0107015094</b>  | <b>B</b>                           |
| Primo numero di serie<br>Erste Seriennummer<br>First serial number<br>Première numéro de série | Ultimo numero di serie<br>Letzte Seriennummer<br>Last serial number<br>Dernière numéro de série | Revisione<br>Revision<br>Revision<br>Revision                          |                                    |
|  |   | <b>00</b>  |                                    |
| Disegnato<br>Gezeichnet  | Approvato<br>Geprüft  | File<br>File   | Data<br>Datum                      |
| <b>Mantovan L.</b>   | <i>Mantovan L.</i>  | <b>DSK100.DWG</b>  | <b>06/10/99</b>                    |
| <b>ambach®</b><br>GROSSKÜCHENTECHNIK - GRANDI CUCINE   |   | 39052 Kaltner-Caldaro-ITALY<br>Tel. 0471-862213<br>Telefax 0471-862085 |                                    |



|  |   |                                    |                           |
|--|---|------------------------------------|---------------------------|
| Serie<br>Serie<br>Série  | Modello<br>Modell<br>Model  | Codice<br>Kodex<br>Code            | Tav.<br>Detaill<br>Détail |
| <b>SYSTEM 900</b>  | <b>DSK/100</b>  | <b>0107015094</b>                  | <b>C</b>                  |
| Primo numero di serie<br>Erste Seriennummer<br>First serial number<br>Première numéro de série | Ultimo numero di serie<br>Letzte Seriennummer<br>Last serial number<br>Dernière numéro de série | Revisiione<br>Revision<br>Révision | <b>00</b>                 |
| Disegnato<br>Gezeichnet  | Approvato<br>Geprüft  | File<br>Datei                      | Data<br>Datum             |
| <b>Mantovan L.</b>   | <i>Mantovan L.</i>  | <b>DSK100.DWG</b>                  | <b>06/10/99</b>           |



|  |   |   |                                    |
|--|---|---|------------------------------------|
| Serie<br>Serie<br>Serie<br>Serie   | Modello<br>Modell<br>Model<br>Model   | Codice<br>Kodex<br>Code<br>Code               | Tav.<br>Detail<br>Detail<br>Detail |
| <b>SYSTEM 900</b>  | <b>DSK/100</b>  | <b>0107015094</b>                             | <b>D</b>                           |
| Primo numero di serie<br>Erste Seriennummer<br>First serial number<br>Première numéro de série | Ultimo numero di serie<br>Letzte Seriennummer<br>Last serial number<br>Dernière numéro de série | Revisione<br>Revision<br>Revision<br>Révision | <b>00</b>                          |
| Disegnato<br>Gezeichnet  | Approvato<br>Geprüft  | File<br>File                                  | Data<br>Datum                      |
| <b>Mantovan L.</b>   | <i>Mantovan L.</i>  | <b>DSK100.DWG</b>                             | <b>06/10/99</b>                    |

**ambach®**  
 GROSSKÜCHENTECHNIK - GRANDI CUCINE

39052 Kallern-Caldaro-ITALY  
 Tel. 0471-862213  
 Telefax 0471-862085

**0107015094 Model: DSK/100**  
**Dampf Kochkessel 100 Liter**  
**Steam kettle 100 litres**

**Pentola a vapore 100 litri**  
**Marmite à vapeur 100 litres**

|    | Code       | Beschreibung                   | Descrizione                   | Description                | Désignation                    | St/Qty            | Start | Finish   | Serialnr. |
|----|------------|--------------------------------|-------------------------------|----------------------------|--------------------------------|-------------------|-------|----------|-----------|
| 1  | 5050201366 | Blindstopfen Messing M         | Calotta ottone maschio        | Capscrew brass male        | Tampon borgne mâle laiton      | 3/4" Art. 452A    | 1     |          |           |
| 2  | 3001106215 | Welle Griff                    | Perno maniglia                | Switch shaft               | Tige de poignée                | KK                | 1     |          |           |
| 3  | 3001114687 | Welle Feder innen              | Asse molla interna            | Spring shaft inside        | Axe de ressort intérieur       | ESK/GSK           | 1     |          |           |
| 4  | 3001811891 | Blende Auslauf                 | Pannello scarico              | Drain panel                | Panneau de vidange             | DSK/100/150       | 1     |          |           |
| 5  | 5018007381 | Wasserhahn Oberteil            | Movimento incasso             | Water cock upper part      | Bec de robinet d'eau           | 1/2"              | 1     |          |           |
| 6  | 5041002641 | Schraube 6kt                   | Vite te esagonale             | Hexagon screw              | Vis hexagonale                 | 10x20 - Inox 18/8 | 2     |          |           |
| 7  | 5050201296 | Blindstopfen Messing M         | Calotta ottone maschio        | Capscrew brass male        | Tampon borgne mâle laiton      | 3/8" Art. 452     | 1     |          |           |
| 8  | 5024612524 | Flexibler Stahlschlauch        | Tubo flessibile               | Flexible steel tube        | Tuyau flexible en acier        | L=500             | 1     |          |           |
| 9  | 5017323620 | Dichtung Sicherheitsentleerha. | Guarnizione rubinetto scarico | Pet safety cock seal       | Joint de robinet de vidange    | 1 1/2"            | 1     |          |           |
| 10 | 3500515444 | Rohr Ablauf links              | Tubo scarico sinistro         | Left drain tube            | Tuyau de vidange gauche        | ESK/GSK           | 1     |          |           |
| 11 | 3500515570 | Rohr Ablauf Mitte              | Tubo scarico centrale         | Middle drain tube          | Tuyau de vidange central       | ECO/System        | 1     |          |           |
| 12 | 5022213783 | Rosette Wasserarmatur          | Ghiera rubinetto ad incasso   | Round plate water fitting  | Rosace pour robinet à eau      |                   | 2     |          |           |
| 13 | 5000508009 | Rohr Wassereinlauf             | Tubo erogazione acqua         | Water supply tube          | Tuyau d'alimentation d'eau     | 1/2" 90°          | 1     |          |           |
| 14 | 5022210634 | Rosette                        | Ghiera                        | Round plate                | Rosace                         |                   | 1     |          |           |
| 15 | 5001109945 | Welle Deckelhub links          | Asse alzacoperchio sinistro   | Left shaft cover lifting   | Axe levage du couvercle gauche | KKK/150-250       | 1     |          |           |
| 16 | 5003104149 | Deckel doppelwandig            | Coperchio + controbombato     | Double walled cover        | Couvercle à double paroi       | KK                | 1     |          |           |
| 17 | 5004714695 | Feder Deckelhub                | Molla alzacoperchio           | Spring cover lifting       | Ressort pour levage couvercle  | ESK/GSK/40        | 1     |          |           |
| 18 | 5005607080 | Griff Deckel                   | Maniglia coperchio            | Cover handle               | Poignée de couvercle           | M 10 KSK          | 1     |          |           |
| 19 | 5006315603 | Halter Feder                   | Supporto molla                | Spring holder              | Support de ressort             | SK/KS/40-60       | 1     |          |           |
| 20 | 5022913784 | Knebel Wasserarmatur           | Manopola rubinetto ad incasso | Knob water fitting         | Poignée robinetterie à eau     |                   | 2     |          |           |
| 21 | 5008914664 | Lager Deckelhub links          | Supporto coperchio sinistra   | Left cover bearing         | Palier de couvercle gauche     | ESK/GSK/100       | 1     |          |           |
| 22 | 5008914665 | Lager Deckelhub rechts         | Supporto coperchio destra     | Right cover bearing        | Palier de couvercle droite     | ESK/GSK/100       | 1     |          |           |
| 23 | 5012014661 | Scharnier Platte               | Piastra cerniera              | Plate hinge                | Charnière de plaque            | ESK/GSK/150       | 1     |          |           |
| 24 | 5018003416 | Wasserarmatur rot              | Rubinetto incasso rosso       | Red warm water tap         | Robinet d'eau rouge            | 1/2"              | 1     |          |           |
| 25 | 5018007357 | Wasserarmatur blau             | Rubinetto incasso blu         | Blue cold water tap        | Robinet d'eau bleu             | 1/2"              | 1     |          |           |
| 26 | 5018013159 | Sicherheitsentleerhahn         | Rubinetto scarico             | Pet safety cock            | Robinet de vidange             | 1 1/2"            | 1     |          |           |
| 27 | 5018116417 | Kondensabscheider              | Scaricatore di condensa       | Condense drainage          | Vidange condensât              | 3/4" BPT13US      | 1     |          |           |
| 28 | 5018107458 | Dampf-Durchgangsventil         | Valvola di passaggio vapore   | Two-way steam valve        | Soupape droite échapp. vapeur  | 1"                | 1     |          |           |
| 29 | 5018114399 | Rückschlagventil               | Valvola di ritegno            | Return valve               | Soupape de retenue             | Roma 1/2          | 1     |          |           |
| 30 | 5018117567 | Kondensabscheider              | Scaricatore di condensa       | Condense drainage          | Vidange condensât              | 1/2" BPT13AX-G    | 1     |          |           |
| 31 | 5024608002 | Wasserschlauch                 | Tubo acqua                    | Water tube                 | Tuyau d'eau                    | PE/PK1/40         | 1,5   |          |           |
| 32 | 5050820717 | Holländer MS + Bogen           | Bocchettone ottone maschio    | Elbow brass male           | Raccord coudé en laiton mâle   | 1" FIG 98         | 2     |          |           |
| 33 | 5024610547 | Silikonschlauch                | Tubo silicone                 | Silicone tube              | Tuyau en silicone              | ø5mm>ø8mm         | 0,6   |          |           |
| 34 | 5024610572 | Wasserschlauch                 | Tubo acqua                    | Water tube                 | Tuyau d'eau                    | ø10mm             | 1     |          |           |
| 35 | 5024617401 | Dampfschlauch                  | Tubo vapore                   | Steam tube                 | Tuyau vapeur                   | 3/4" 500mm        | 1     | 17/05/00 | 820013    |
|    | 5024611549 | Flexibler Schlauch Kond.       | Tubo flessibile raccordo      | Flexible tube condensation | Flexible vidange condensât     | 3/4" 500mm        | 1     | 17/05/00 |           |
| 36 | 5024612525 | Flexibler Stahlschlauch        | Tubo flessibile               | Flexible steel tube        | Tuyau flexible en acier        | L=900             | 2     |          |           |
| 37 | 5027210517 | Manometer                      | Manometro                     | Manometer                  | Manomètre                      | ESK/GSK           | 1     |          |           |
| 38 | 5028509493 | Rohrschelle                    | Fascetta per tubo             | Pipe clamp                 | Collier de serrage pour tuyau  | D=32-50/13        | 4     |          |           |
| 39 | 5028510548 | Schlauchschele                 | Fascetta stringitubo          | Pipe clamp                 | Collier de serrage de tuyau    | ø7,5>9mm          | 2     |          |           |
| 40 | 5028510569 | Rohrschelle                    | Fascetta per tubo             | Pipe clamp                 | Collier de serrage pour tuyau  | D=20/0 W1         | 2     | 25/01/99 | 702004    |
| 41 | 5040320713 | Gegenmutter Messing            | Controdado ottone             | Bass counter nut           | Contre-écrou laiton            | 1/2" FIG 310      | 1     |          |           |
| 42 | 5040320714 | Gegenmutter Messing            | Controdado ottone             | Bass counter nut           | Contre-écrou laiton            | 1/2" FIG 310      | 1     |          |           |

|    |            |                              |                             |                           |                                    |                   |                   |
|----|------------|------------------------------|-----------------------------|---------------------------|------------------------------------|-------------------|-------------------|
| 43 | 5040412194 | Hutmutter Inox               | Dado es. cieco inox         | Hexagonal nut inox        | Ecrou borgne en inox               | KSK/150 M20x1,5   | 1                 |
| 44 | 5040810578 | Gewindestift innen 6kt       | Perno filettato esagonale   | Hex-socket set screw      | Vis hexagonale sans tête           | Inox M8x16        | 1                 |
| 45 | 5041402628 | Zylinderschraube in. 6kt     | Vite tcei                   | Hexagon cylinder screw    | Vis cylindrique hexagonale         | Inox M8x20        | 4                 |
| 46 | 5050101267 | Bogen Messing M+W            | Angolo ottone M+F           | Elbow brass M+F           | Raccord coudé en laiton M+F        | 1/2" Art. 458     | 2                 |
| 47 | 5051212578 | Winkelanschluß               | Raccordo a gomito           | Angle fitting             | Raccord à vis coudé                | MS 1/4"           | 1                 |
| 48 | 5050120029 | Bogen + Holländer            | Gomito ottone               | Elbow brass               | Raccord coudé                      | R 19 - 1/2"       | 1                 |
| 49 | 5050120702 | Bogen Messing                | Gomito ottone               | Elbow brass               | Raccord coudé en laiton            | Fig. 90 3/4"      | 1                 |
| 50 | 5050820701 | Holländer MS + Bogen         | Bocchettone ottone maschio  | Elbow brass male          | Raccord coudé en laiton mâle       | 3/4"              | 2                 |
| 51 | 5050907399 | Filter 1" Bronze             | Filtro 1" bronzo            | Filter 1" bronze          | Filtre 1" en bronze                | KKD               | 1                 |
| 52 | 5051013253 | Nippel Auslauf               | Nipplo scarico              | Drain nipple              | Raccord fileté de vidange          | DSK/80-150        | 1                 |
| 53 | 5051011363 | Doppelnippel Messing         | Nipplo doppio ottone        | Double nipple brass       | Double raccord en laiton           | Art.441 3/4"      | 1                 |
| 54 | 5051101294 | T-Stück Messing 1/2" W+M/M   | T ottone 1/2" F+M/M         | T brass 1/2" F+M/M        | Pièce en T en laiton 1/2" F+M/M    | Art. 463          | 1                 |
| 55 | 5051210544 | Schlauchverschraubung        | Portagomma cilindrico       | Flexible tube connection  | Raccord fileté de flexible         | 1/2">ø12          | 2                 |
| 56 | 5051210546 | Schlauchverschraubung        | Portagomma cilindrico       | Flexible tube connection  | Raccord fileté de flexible         | 1/4">ø7           | 1                 |
| 57 | 5051310364 | Reduzierung Messing          | Riduzione ottone            | Brass adapter             | Douille de réduction en laiton     | 1/2">1/4" ART.448 | 1                 |
| 58 | 5050120715 | Doppelnippel Messing         | Nipplo doppio ottone        | Double nipple brass       | Double raccord en laiton           |                   | 2                 |
| 59 | 5051001287 | Doppelnippel Messing         | Nipplo doppio ottone        | Double nipple brass       | Double raccord en laiton           |                   | 1                 |
| 60 | 3000515466 | Rohr Ölablauf                | Tubo scarico olio           | Oil drain tube            | Tuyau de vidange d'huile           | GF1/45-BF         | 1                 |
| 61 | 5050120704 | Bogen Messing                | Gomito ottone               | Elbow brass               | Raccord coudé en laiton            | Fig. 92 1"        | 1                 |
| 62 | 5000804444 | Abdeckung Auslauf Kochkessel | Filtro scarico pentola      | Boiling pan drain filter  | Crépine de marmite                 | 1" 1/2 KK         | 1                 |
| 63 | 5040913785 | Schraube für Wasserarmatur   | Vite per rubinetto incasso  | Screw for water fitting   | Vis pour robinetterie à eau        | M5                | 2                 |
| 64 | 5031400109 | Ring Kunststoff rot          | Anello plastica rosso       | Red synthetic ring        | Rondelle plastique rouge           | "Mamoli"          | 1                 |
| 65 | 5031400110 | Ring Kunststoff blau         | Anello plastica blu         | Blue synthetic ring       | Rondelle plastique bleue           | "Mamoli"          | 1                 |
| 66 | 5017313786 | Dichtung Wasserschlauch      | Guarnizione tubo flessibile | Water flexible tube seal  | Joint d'étanch. tuyau flexible eau | 1/2"              | 3                 |
| 67 | 5017313787 | Dichtung Manometer           | Guarnizione manometro       | Manometer seal            | Joint d'étanchéité manomètre       |                   | 1                 |
|    | 5003012322 | Distanzstück Nippel Auslauf  | Distanziale nipplo scarico  | Spacer block drain nipple | Pièce interc. raccord fil. vidange | 1 1/2"            | 1 20/03/01 799564 |