

**Kaffee  
Espressomaschinen**

Artikel-Nr. 741001, 742002, 742003, 742004  
(15P1G29208(Pegaso EPU/1), 15P2G29208(Pegaso EPU/2),  
15V1G29208(Pegaso EVD/1),15V2G29208(Pegaso EVD/2))

---

**Explosionszeichnung**

---

## *Carrozzeria - Body parts - Carrosserie - Karosserie*

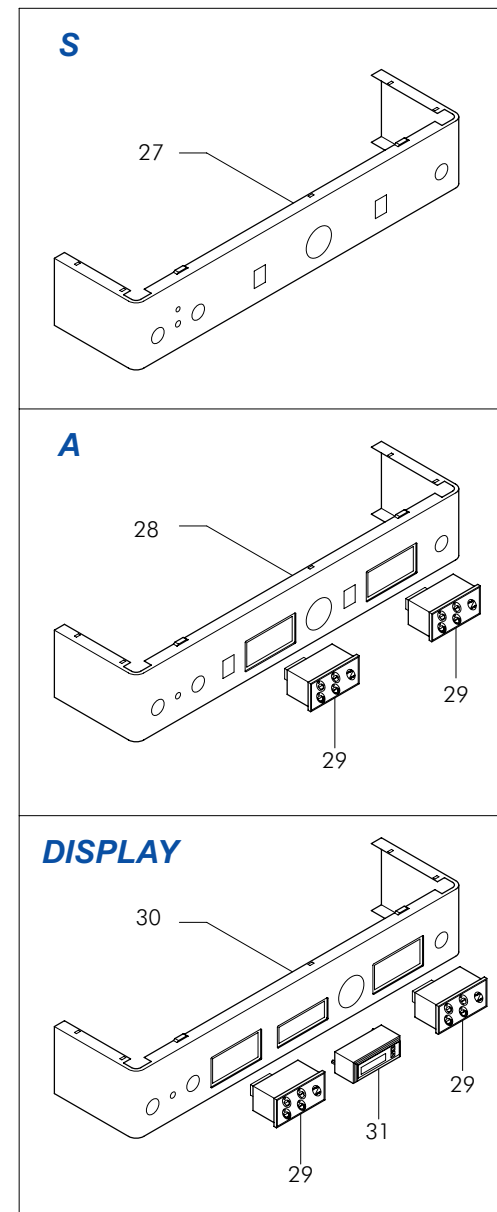
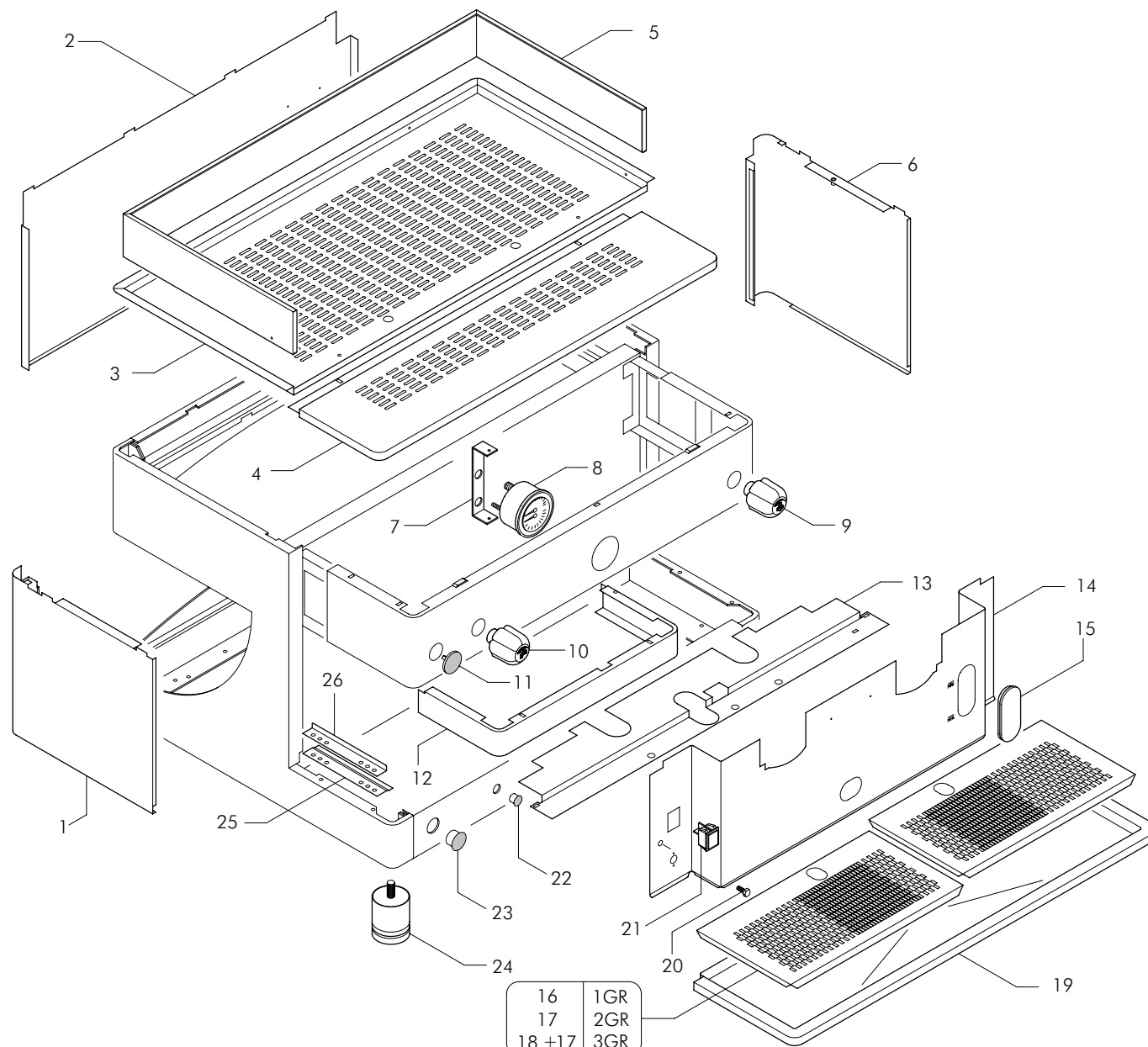
**CMAX-01**

rev.00

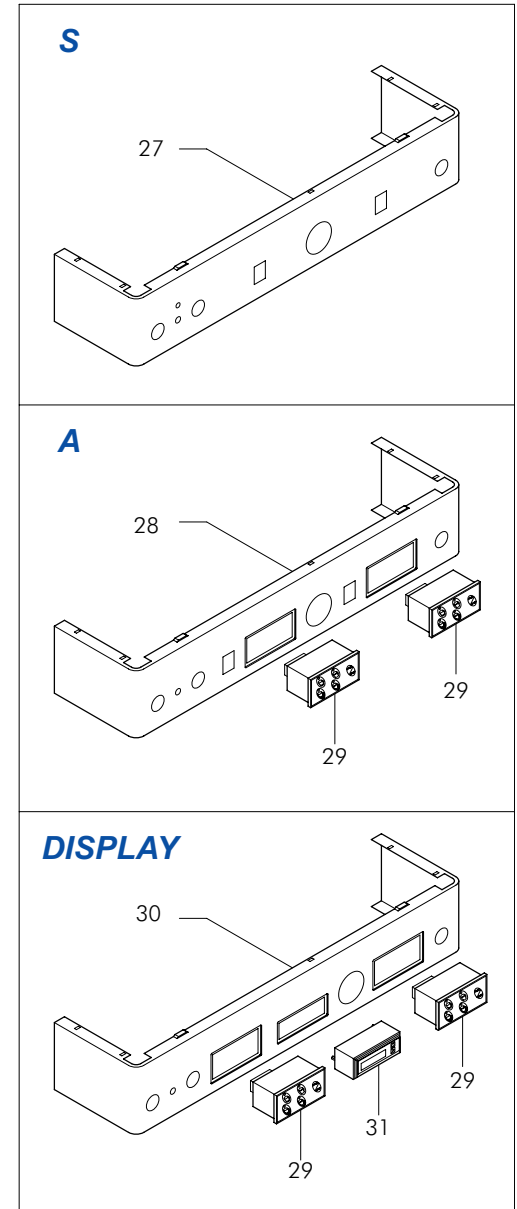
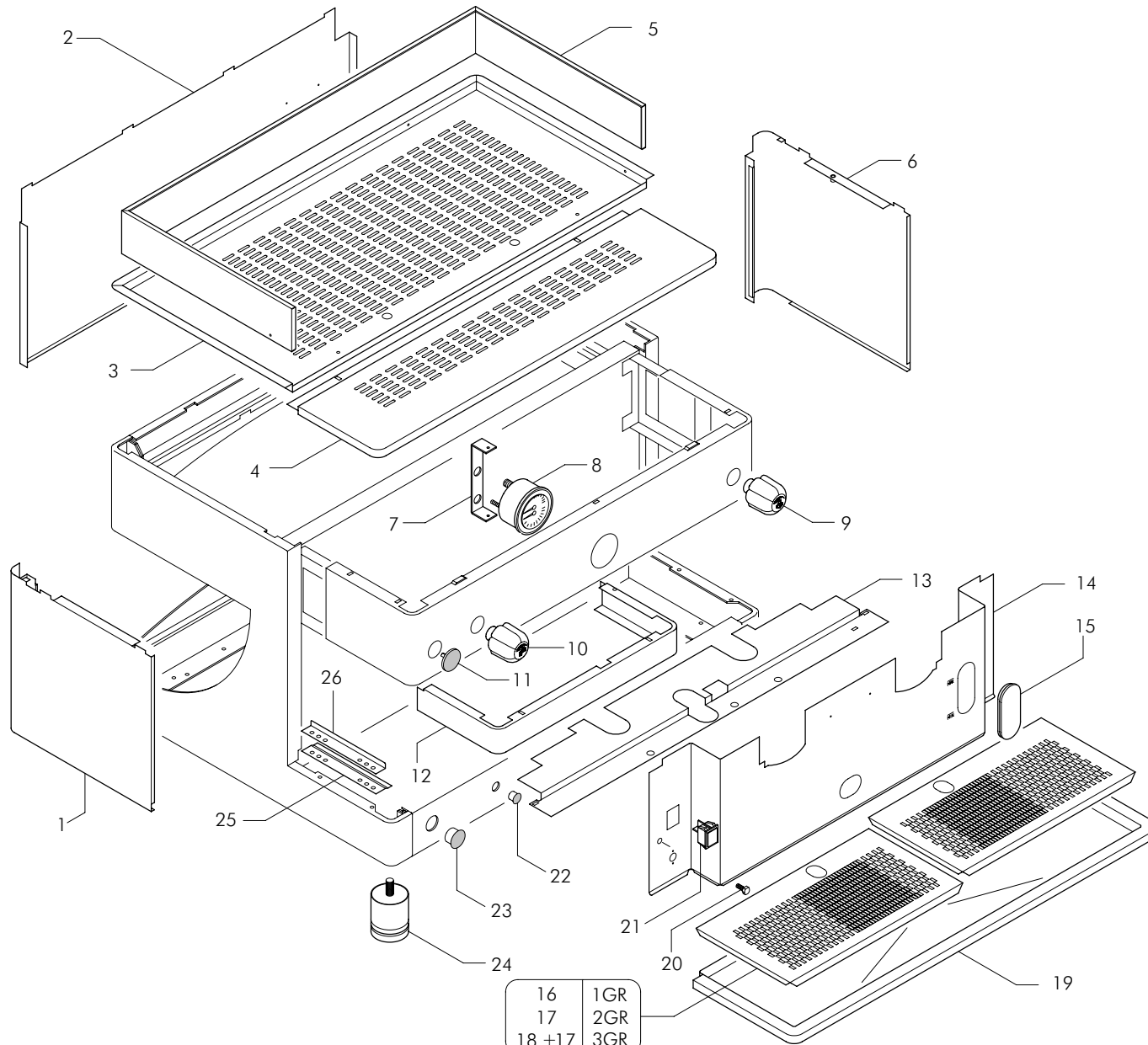
PLATINO - PLATINUM - PLATINE - PLATIN

**COOKMAX**

**CMAX**



Pos	Cod.	Denominazione - IT -	Denomination - GB -	Denomination - FR -	Denomination - DE -
1	WY75826001	PANNELLO SINISTRO CARROZZERIA INOX/L	LEFT PANEL S.STEEL	PANNEAU GAUCHE INOX	STAHL-LINKTAFEL
2	WY75826002	PANNELLO POSTERIORE CENTR.2GR INOX/L	CENTRAL PANEL 2GR S.STEEL	PANNEAU CENTRAL 2GR INOX	HINTERE MITTLERE TAFEL 2GR STAHL
2	WY75826004	PANNELLO POSTERIORE CENTR.1GR INOX/L	CENTRAL PANEL 1GR S.STEEL	PANNEAU CENTRAL 1GR INOX	HINTERE MITTLERE TAFEL 1GR STAHL
2	WY75826006	PANNELLO POSTERIORE CENTR.3GR INOX/L	CENTRAL PANEL 3GR S.STEEL	PANNEAU CENTRAL 3GR INOX	HINTERE MITTLERE TAFEL 3GR STAHL
3	WY76100096	GRIGLIA SUPERIORE 1GR INOX/L	TOP GRATE 1GR S.STEEL	GRILLE SUP.1GR INOX	OBERGITTER 1GR STAHL
3	WY76100097	GRIGLIA SUPERIORE 2GR INOX/L	TOP GRATE 2GR S.STEEL	GRILLE SUP.2GR INOX	OBERGITTER 2GR STAHL
3	WY76100098	GRIGLIA SUPERIORE 3GR INOX/L	TOP GRATE 3GR S.STEEL	GRILLE SUP.3GR INOX	OBERGITTER 3GR STAHL
4	WY72694021	COPRIGRUPPO 1GR START INOX INOX/L	S.STEEL GROUP-COVER 1GR	COUVRE-GROUPE INOX 1GR	STAHL-GRUPPENDECKEL 1GR
4	WY72694022	COPRIGRUPPO 2GR START INOX INOX/L	S.STEEL GROUP-COVER 2GR	COUVRE-GROUPE INOX 2GR	STAHL-GRUPPENDECKEL 2GR
4	WY72694023	COPRIGRUPPO 3GR START INOX INOX/L	S.STEEL GROUP-COVER 3GR	COUVRE-GROUPE INOX 3GR	STAHL-GRUPPENDECKEL 3GR
5	WY77169003	PROF.SUP.COMPLETO 1GR INOX/L	S.STEEL TOP SURROUND 1GR	PROFILS SUPERIEUR INOX 1GR	STAHL OBERUMRANDUNG 1GR
5	WY77169006	PROF.SUP.COMPLETO 2GR INOX/L	S.STEEL TOP SURROUND 2GR	PROFILS SUPERIEUR INOX 2GR	STAHL OBERUMRANDUNG 2GR
5	WY77169009	PROF.SUP.COMPLETO 3GR INOX/L	S.STEEL TOP SURROUND 3GR	PROFILS SUPERIEUR INOX 3GR	STAHL OBERUMRANDUNG 3GR
6	WY75826000	PANNELLO DESTRO CARROZZERIA INOX/L	RIGHT PANEL S.STEEL	PANNEAU DROIT INOX	STAHL-RECHTAFEL
7	WY78150051	SUPPORTO MANOMETRO ER	GAUGE SUPPORT 1>4GR	SUPPORT MANOMETRE 1>4GR	MANOMETERHALTER 1>4GR
8	WY21112	MANOMETRO TONDO D.SCALA	PRESSURE GAUGE	MANOMETRE	MANOMETER
9	WY15272	MANOPOLA RUBINETTO VAPORE	STEAM TAP KNOB	POIGNEE ROBINET VAPEUR	DAMPF-HAHNGRIFF
10	WY15273	MANOPOLA RUBINETTO ACQUA	WATER TAP KNOB	POIGNEE ROBINET EAU	WASSER-HAHNGRIFF
11	WY15486	TAPPO PLASTICA FORO 22>32.5 3586.AA01	PLASTIC CAP D24,7	BOUCHON PLASTIQUE D24,7	PLASTIKSTOPFEN D24,7
12	WY77691971	PROTEZIONE GRUPPI 1GR INOX/L	GROUP PROTECTION 1GR	PROTECTION GROUPE 1GR	GRUPPE SCHUTZGITTER 1GR
12	WY77691972	PROTEZIONE GRUPPI 2GR INOX/L	GROUP PROTECTION 2GR	PROTECTION GROUPE 2GR	GRUPPE SCHUTZGITTER 2GR
12	WY77691973	PROTEZIONE GRUPPI 3GR INOX/L	GROUP PROTECTION 3GR	PROTECTION GROUPE 3GR	GRUPPE SCHUTZGITTER 3GR
13	WY77308011	COPRIMPIANTO 1GR	CABLE-COVER 1GR	COUVRE-CABLAGE 1GR	VERDRAHTUNGDECKEL 1GR
13	WY77308012	COPRIMPIANTO 2GR	CABLE-COVER 2GR	COUVRE-CABLAGE 2GR	VERDRAHTUNGDECKEL 2GR
13	WY77308013	COPRIMPIANTO 3GR	CABLE-COVER 3GR	COUVRE-CABLAGE 3GR	VERDRAHTUNGDECKEL 3GR
14	WY77053105	COPRICALDAIA 1GR INOX/L	S.STEEL BOILER COVER 1GR	COUVRE-CHAUDIERE 1GR INOX	KESSELDECKEL 1GR STAHL
14	WY77053106	COPRICALDAIA 2GR INOX/L	S.STEEL BOILER COVER 2GR	COUVRE-CHAUDIERE 2GR INOX	KESSELDECKEL 2GR STAHL
14	WY77053107	COPRICALDAIA 3GR INOX/L	S.STEEL BOILER COVER 3GR	COUVRE-CHAUDIERE 3GR INOX	KESSELDECKEL 3GR STAHL
15	WY21202	SEGNALIVELLO OVE TUV INCOLORE	COLOURLESS LEVEL INDICATOR OVE-TUV	SIGNAL NIVEAU OVE-TUV	FARBLOSER NIVEAUANZEIGER OVE-TUV
16	WY76153000	GRIGLIA INF.WN01 INOX LUC.456X201	LOWER GRILL 456X201 SHINY S.STEEL	GRILLE INF.INOX 456X201	STAHL-UNTERGITTER 456X201
17	WY76154000	GRIGLIA INF.DX WN01 IN/LUC.338.5X201	RIGHT LOWER GRILL -SHINY S.STEEL	GRILLE INF.DROIT INOX 338,5X201	STAHL-UNTER-RECHTEGITTER 338,5X201
17	WY76155000	GRIGLIA INF.SX WN01 IN/LUC.338.5X201	LEFT LOWER GRILL - SHINY S.STEEL	GRILLE INF.GAUCHE INOX 338,5X201	STAHL-UNTER-LINKEGITTER 338,5X201
18	WY76156000	GRIGLIA INF.WN01 INOX LUC. 253X201	LOWER GRILL 253X201 - SHINY S.STEEL	GRILLE INF.INOX 253X201	STAHL-UNTERGITTER 253X201
19	WY76095	BACINELLA 1GR INOX LUCIDO	1GR GLOSSY STAINLESS STEEL TRAY	CUVE 1GR INOX BRILLANT	STAHLSCHALE 1GR
19	WY76096	BACINELLA 2GR INOX LUCIDO	2GR GLOSSY STAINLESS STEEL TRAY	CUVE 2GR INOX BRILLANT	STAHLSCHALE 2GR
19	WY76097	BACINELLA 3GR INOX LUCIDO	3GR GLOSSY STAINLESS STEEL TRAY	CUVE 3GR INOX BRILLANT	STAHLSCHALE 3GR



Pos	Cod.	Denominazione - IT -	Denomination - GB -	Denomination - FR -	Denomination - DE -
20	WY23420	VITE TE OTTONE M6X12 NICHELATA	M6X12NICKEL-PLATED BRASS HEX.HEAD SCREW	VIS TH LAITON M6X12 NICKELÉE	SECHSKANTSCHRAUBE AUS MESSING M6X12
21	WY15486002	TAPPO FORO INTERRUPTORE	SWITCH HOLE PLUG	CAPUCHON TROU INTERRUPT.	ABDECKUNG SCHALTERLOCH
22	WY15483	TAPPO PLASTICA D12 DP/500	PLASTIC CAP D12 DP/500	BOUCHON PLASTIQUE D12 DP/500	PLASTIKSTOPFEN D12 DP/500
23	WY15482	TAPPO PLASTICA D22 DP/875	PLASTIC CAP D22 DP/875	BOUCHON PLASTIQUE D22 DP/875	PLASTIKSTOPFEN D22 DP/875
24	WY15318	PIEDINO REGOLABILE INOX/SAT H55/69	ADJUSTABLE FOOT H55/69	PIED REGLABLE H55/69	REGELBARER FUSS H55/69
24	WY15321	PIEDINO REGOLABILE INOX/SAT H88/102	ADJUSTABLE FOOT H88/102	PIED REGLABLE H88/102	REGELBARER FUSS H88/102
25	WY77742014	DISTANZIALE BACINELLA	SPACER GLOSSY	ENTRETOISE CUVE	DISTANZSTÜCK
26	WY77742015	GUIDA DESTRA-SINISTRA BACINELLA	RH-LH BASIL GUIDE FOR FRAMES	GUIDE DR-GO CUVE X CHASSIS	FUHRUNG RECHTS-LINKS SCHALE
27	WY70664110	FRONTONE EPU/1 INOX/L	FRONT PANEL EPU/1 S.STEEL	PANNEAU EPU/1 INOX	STIRNTAFEL EPU/1 STAHL
27	WY70664120	FRONTONE EPU/2 INOX/L	FRONT PANEL EPU/2 S.STEEL	PANNEAU EPU/2 INOX	STIRNTAFEL EPU/2 STAHL
27	WY70664130	FRONTONE EPU/3 INOX/L	FRONT PANEL EPU/3 S.STEEL	PANNEAU EPU/3 INOX	STIRNTAFEL EPU/3 STAHL
28	WY70664160	FRONTONE EVD/1 INOX/L	FRONT PANEL EVD/1 S.STEEL	PANNEAU EVD/1 INOX	STIRNTAFEL EVD/1 STAHL
28	WY70664170	FRONTONE EVD/2 INOX/L	FRONT PANEL EVD/2 S.STEEL	PANNEAU EVD/2 INOX	STIRNTAFEL EVD/2 STAHL
28	WY70664180	FRONTONE EVD/3 INOX/L	FRONT PANEL EVD/3 S.STEEL	PANNEAU EVD/3 INOX	STIRNTAFEL EVD/3 STAHL
29	WY18371049	PULSANTIERA 5T	TOUCH PAD 5T	CLAVIER A TOUCHES 5T	DRUCKKNOPFTAFEL 5T
30	WY70664161	FRONTONE EVD/1 DISPLAY INOX/L	FRONT PANEL EVD/1 S.STEEL	PANNEAU EVD/1 INOX	STIRNTAFEL EVD/1 STAHL
30	WY70664171	FRONTONE EVD/2 DISPLAY INOX/L	FRONT PANEL EVD/2 S.STEEL	PANNEAU EVD/2 INOX	STIRNTAFEL EVD/2 STAHL
30	WY70664181	FRONTONE EVD/3 DISPLAY INOX/L	FRONT PANEL EVD/2 S.STEEL	PANNEAU EVD/2 INOX	STIRNTAFEL EVD/2 STAHL
31	WY26020	CONTABATTUTE CON DISPLAY 01.43.0021	DISPLAY 01.43.0021	DISPLAY 01.43.0021	DISPLAY 01.43.0021

***Tubetti acqua / vapore - Taps water / steam  
Robinets eau / vapeur - Wasserhahn / Dampfhahn***

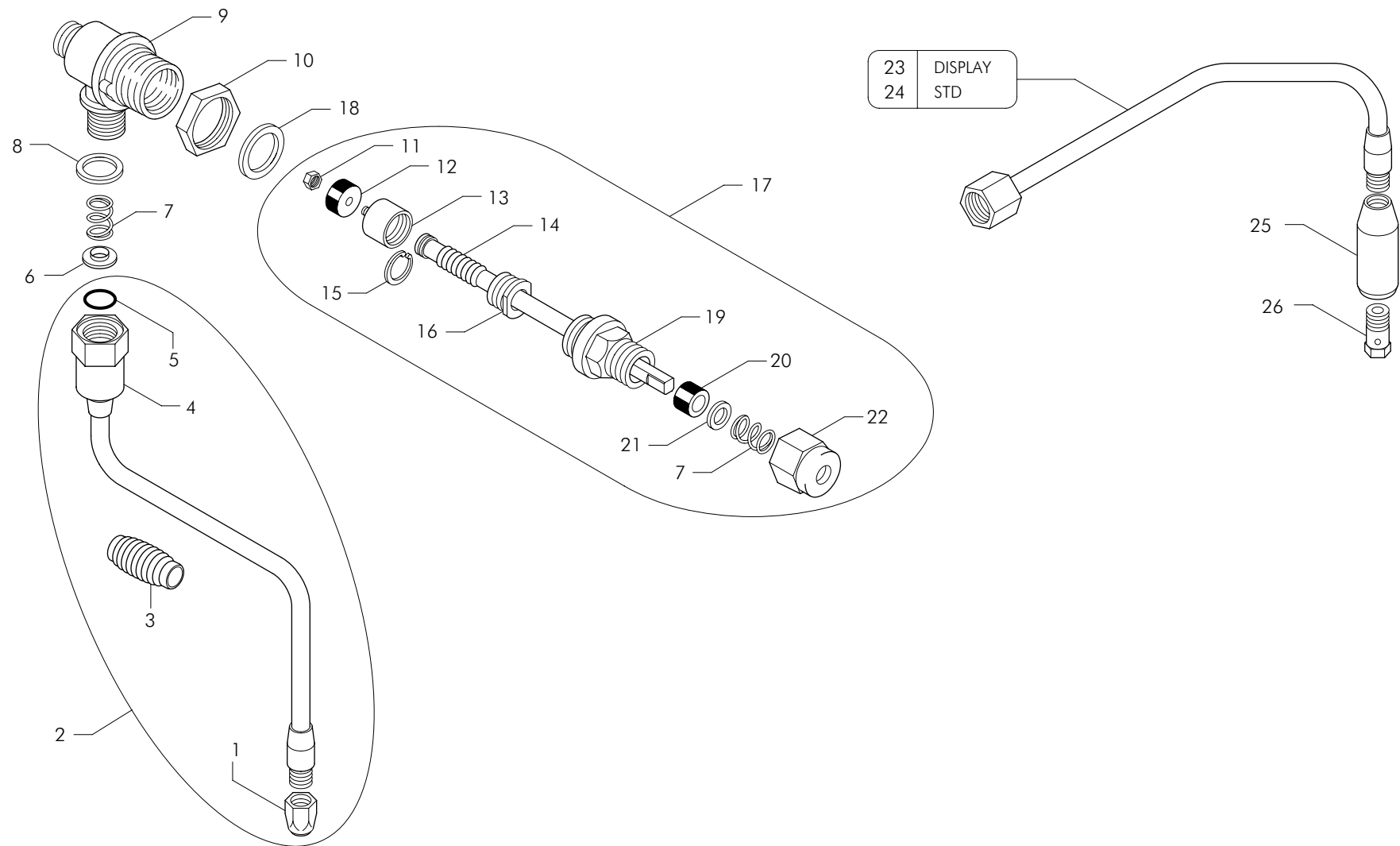
**CMAX-11**

rev.00

Tubetti ACQUA / VAPORE - Taps WATER / STEAM - Robinets EAU / VAPEUR - WASSERHAHN / DAMPFHAHN

**COOKMAX**

**CMAX**





Pos	Cod.	Denominazione - IT -	Denomination - GB -	Denomination - FR -	Denomination - DE -
1	WY25762	SPRUZZATORE VAPORE CROMATO	STEAM NOZZLE - CHROMED	ATOMISEUR VAPEUR - CHROME'	DAMPFDUSE - CHROM
2	WY56119001	ASSIEME TUBO VAP.CR. A56/W	STEAM TUBE A56/W	TUYAU VAPEUR A56/W	DAMPF ROHR A56/W
3	WY15296000	GOMMINO ANTISCOT.RA X TUBO VAP.D8	ANTI-BURNING RUBBER EL. FOR STEAM PIPE	ELEMENT ANTI-BRULURE POUR TUYAU VAP.	GUMMI GEGEN VERBRENNUNGEN F. DAMPFROHR D
4	WY25391	DADO CANNA VAP/H2O X MOLLA CROMATO	NUT PIPE WATER/STEAM FOR SPRING	ECROU TUYAU VAPEUR/EAU POUR RESSORT	WASSER/DAMPF ROHRMUTTER FUR FEDER
5	WY12300	GUARNIZIONE OR 113 NBR/70	O RING GASKET 113 NBR/70	JOINT OR 113 NBR/70	OR-DICHTUNG 113 NBR/70
6	WY25657	RONDELLA MOLLA VAPORE	STEAM SPRING WASHER	RONDELLE RESSORT VAPEUR	SCHEIBE FÜR DAMPFFEDER
7	WY10452	MOLLA RUBINETTO H20/VAPORE N4	WATER/STEAM TAP SPRING N4	RESSORT DE ROBINET EAU-VAPEUR N4	WASSER/DAMPF HAHNFEDER N4
8	WY12010	GUARNIZIONE TEFLON X H20/VAP 21X17X2	W/S PIPE GASKET TEFLON 21X17X2	JOINT TUYAU TEFLON EAU/VAP TEFLON	TEFLON-DICHTUNG X H20/VAP 21X17X2 CNN
9	WY53003	CORPO RUBINETTO	TAP BODY	CORPS DE ROBINET	HAHNKÖRPER
10	WY25384	DADO OTTONE M26X1.5	BRASS NUT 26X1.5	ECROU LAITON 26X1.5	MESSING-MUTTER 26X1.5
11	WY23050	DADO OTTONE M3 UNI 5587	BRASS NUT M3 UNI 5587	ECROU LAITON M3 UNI 5587	MESSING-MUTTER M3 UNI 5587
12	WY12203	GUARNIZIONE GOMMA 15X4X4	RUBBER GASKET 15X4X4	JOINT EN CAOUTCHOUC 15X4X4	GUMMIDICHTUNG 15X4X4
13	WY25616	PISTONCINO RUBINETTO	TAP JUMPER	PISTON ROBINET	HAHNKOLBEN
14	WY25309	ASTA RUBINETTO CROMATA	CHROMED TAP SHAFT	TIGE ROBINET CHROME	HAHNSTANGE CHROM
15	WY10001	ANELLO ARRESTO D6 INOX 316 DIN 6799	STEEL CIRCLIP 316 DIN 6799	CIRCLIP INOX 316 DIN 6799	STAHLHALTENRING 316 DIN 6799
16	WY25461	GHIERA RUBINETTO	TAP RING NUT	EMBOUT ROBINET	HAHNZWINGE
17	WY561001	ASSIEME RUBINETTO H20/VAPORE	WATER/STEAM TAP UNIT	ENSEMBLE ROBINET EAU/VAPEUR	WASSER/DAMPF ROHRSATZ
18	WY12158	GUARNIZIONE CU RUB.26X20.5X2	26X20.5X2 COPPER SEAL	JOINT CUIVRE 3/8 22X17X1.5	KUPFERDICHTUNG 3/8 22X17X1.5
19	WY25678001	RACCORDO RUBINETTO	TAP FITTING	RACCORD ROBINET	HAHNANSCHLUSSTUCK
20	WY12204	GUARNIZIONE GOMMA RUBINETTO H20/VAP	W/S TAP RUBBER GASKET 12.5X7.5X9	JOINT CAOUTCHOUC ROB. EAU/VAP 12.5	HAHNDICHTUNG W/D 12.5X7.5X9
21	WY25655	RONDELLA RUBINETTO	TAP WASHER	RONDELLE ROBINET	HAHNSCHEIBE
22	WY25385	DADO PREMISTOPPA RUBINETTO	TAP STUFFING NUT	ECROU DE PRESSE-ETOUPE ROBINET	STOPFBUCHSE MUTTER - HAHN
23	WY56119026	ASS.TUBO H20 FISSA 4GR A/54D	WATER PIPE 4GR A54/D	TUYAU EAU 4GR A54/D	ROHR WASSER 4GR A54/D
24	WY56119003	ASS.TUBO H20 FISSA A/54C	WATER PIPE A54/C	TUYAU EAU A54/C	ROHR WASSER A54/C
25	WY30250	SPRUZZATORE ESTERNO H20 OTT CROMATO	EXTERNAL SPRAYER H20 CHROMIUM PLATE	PULVERISATEUR EXTERNE H20 LAITON CH	AUSSENSPRITZDÜSE H20 MESSING, VERCH
26	WY25761	SPRUZZATORE INTERNO H20	INTERNAL SPRAY H20	PULVERISATEUR INT. H20	H20 - INNENSPRITZDÜSE

*Gruppo - Group - Groupe - Gruppe*

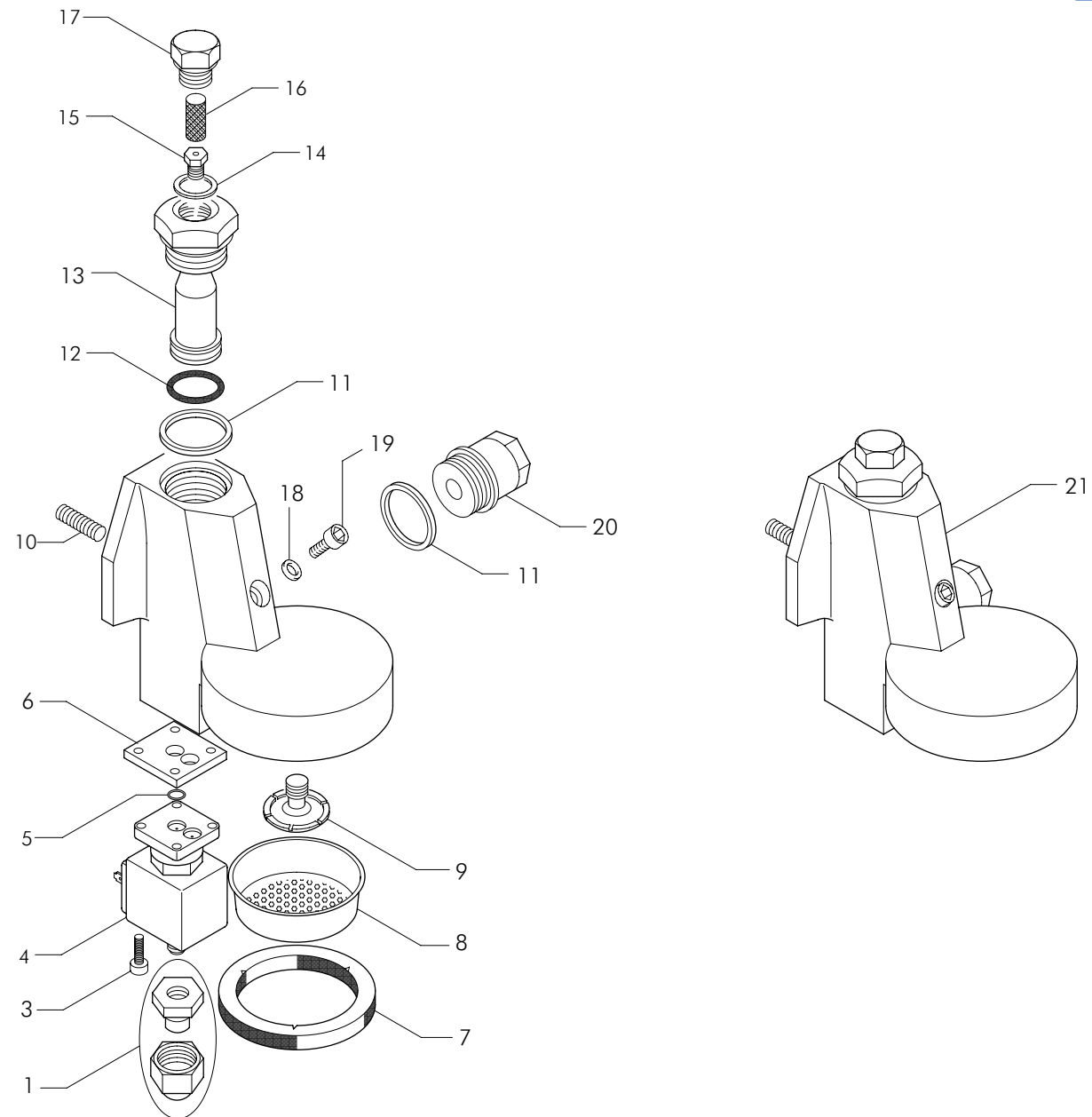
**CMAX-21**

rev.00

**GRUPPO - GROUP - GROUPE - GRUPPE**

**COOKMAX**

**CMAX**



Pos	Cod.	Denominazione - IT -	Denomination - GB -	Denomination - FR -	Denomination - DE -
1	WY23510	VITE TPS INOX 5X14 TAGLIO CACC.	5X14 STAINLESS STEEL FLATHEAD SCREW	VIS TPS INOX 5X14 DE TOURNEVIS	SCHRAUBE TPS ROSTFREI5X14 SCHRAUBEN
2	WY27100	DOCETTA GRUPPO ER 51.9	GROUP SHOWER PLATE 51.9	DOUCHETTE GROUPE ER 51.9	DUSCHE VERTEILEREINHEIT 51.9
3	WY12227	GUARNIZIONE SOTTOCOPPA 73,5X57,5X8	GROUP UNDERCUP SEAL 73,5X57,5X8	JOINT SOUCOUBE 73,5X57,5X8	FILTERGRIFFDICHTUNG 73,5X57,5X8
3	WY12228	GUARNIZIONE SOTTOCOPPA 73,5X57,5X8,5	GROUP UNDERCUP SEAL 73,5X57,8X8,5	JOINT SOUCOUBE 73,5X57,5X8,5	FILTERGRIFFDICHTUNG 73,5X57,5X8,5
4	WY27105000	DIFFUSORE GRUPPO X ADATTATORE	SPRAIER GROUP	DIFFUSEUR GROUPE	DIFFUSOR VERTEILEREINHEIT
5	WY23055	DADO ROMPIGETTO M + F COMPACT	COMPACT SPOUT-CUTTING NUT	ECROU COMPACT	COMPACT SCHRAUBENMUTTER
6	WY23560	VITE TCEI INOX 4X16	SCREW TCCE S.STEEL 4X16	VIS TCCE INOX 4X16	STAHLSCRAUBE TCCE 4X16
7	WY18150	ELETTRIVALVOLA GRUPPO 110V 50-60HZ	GROUP SOLENOID VALVE 110/50-60	ELECTROVANNE GROUPE 110/50-60	GRUPPENMAGNETVENTIL 110/50-60
7	WY18151	ELETTRIVALVOLA GRUPPO 220/240V 50-60HZ	GROUP SOLENOID VALVE 220/240 50-60	ELECTROVANNE GROUPE 220/240 50-60	GRUPPENMAGNETVENTIL 220/240 50-60
8	WY12305	GUARNIZIONE OR 105 GR.ELETT.VITON	O RING SEAL 105 GREEN VITON SOLENOI	JOINT OR 105 GR. ELECT. VITON VERT 70SH	O-RINGDICHT. 105 EKELTR. EINHEIT VITON G
9	WY12013	GUARNIZIONE PTFE LV 2030 ELETTRIVALV.	GASKET FOR SOLENOID VALVE GR PTFE	JOINT POUR ELECTROVANNE GR PTFE	MAGNETVENTILDICHT.GR PTFE LV 2030
10	WY23134	PRIGIONIERO INOX 8X26	STAINLESS STEEL BOLT 8X26	VIS INOX 8X26	STAHLSCRAUBE 8X26
11	WY12023	GUARNIZIONE TEFLON CAMME FUNGO GRUPPO	TEFLON GASKET	JOINT TEFLON	TEFLON DICHTUNG
12	WY12024	GUARNIZIONE OR 125 VITON X FUNGO GR	VITON O RING GASKET	JOINT OR	OR DICHTUNG
13	WY27119	FUNGO GRUPPO W530	DISTRIBUTION GROUP MUSHROOM	FONGUS GROUPE DEBIT	AUSGABEGRUPPE FUNGUS
14	WY12025	GUARNIZIONE TEFLON TAPPO GRUPPO W529	TEFLON GASKET	JOINT TEFLON	TEFLON DICHTUNG
15	WY10300C	GIGLER OTT. X GRUPPO D 0.7	BRASS GROUP JET D-0.7	GICLEUR LAITON D-0.7	VERMESSIN GTE GRUPPE DUSE 0.7
16	WY10253	FILTRO GIGLER GRUPPO W527	JET FILTER	FILTRE GICLEUR	DUSE FILTER
17	WY27118	TAPPO GIGLER W526	JET CAP	BOUCHON GICLEUR	STOPFEN DUSE
18	WY12103	GUARNIZIONE CU/ALIM AT.MAN.10.8X6X2	GAUGE CU GASKET 10.8X6X2	JOINT CU DE MANOMETRE 10.8X6X2	MANOMETER CU DICHTUNG 10.8X6X2
19	WY23558	VITE TCEI INOX 6X8	STEEL SCREW TCCE 6X8	VIS INOX TCCE 6X8	STAHLSCRAUBE TCCE 6X8
20	WY27120	TAPPO GRUPPO CROMATO W615	DISTRIBUTION GROUP CAP	BOUCHON GROUPE DEBIT	STOPFEN DER ABGABEGRUPPE
21	WY26102003	GRUPPO EROGAZIONE WEGA SC-60	DISTRIBUTION GROUP	GROUPE DEBIT	AUSGABEGRUPPE

# *Caldaia - Boiler - Chaudiere - Kessel*

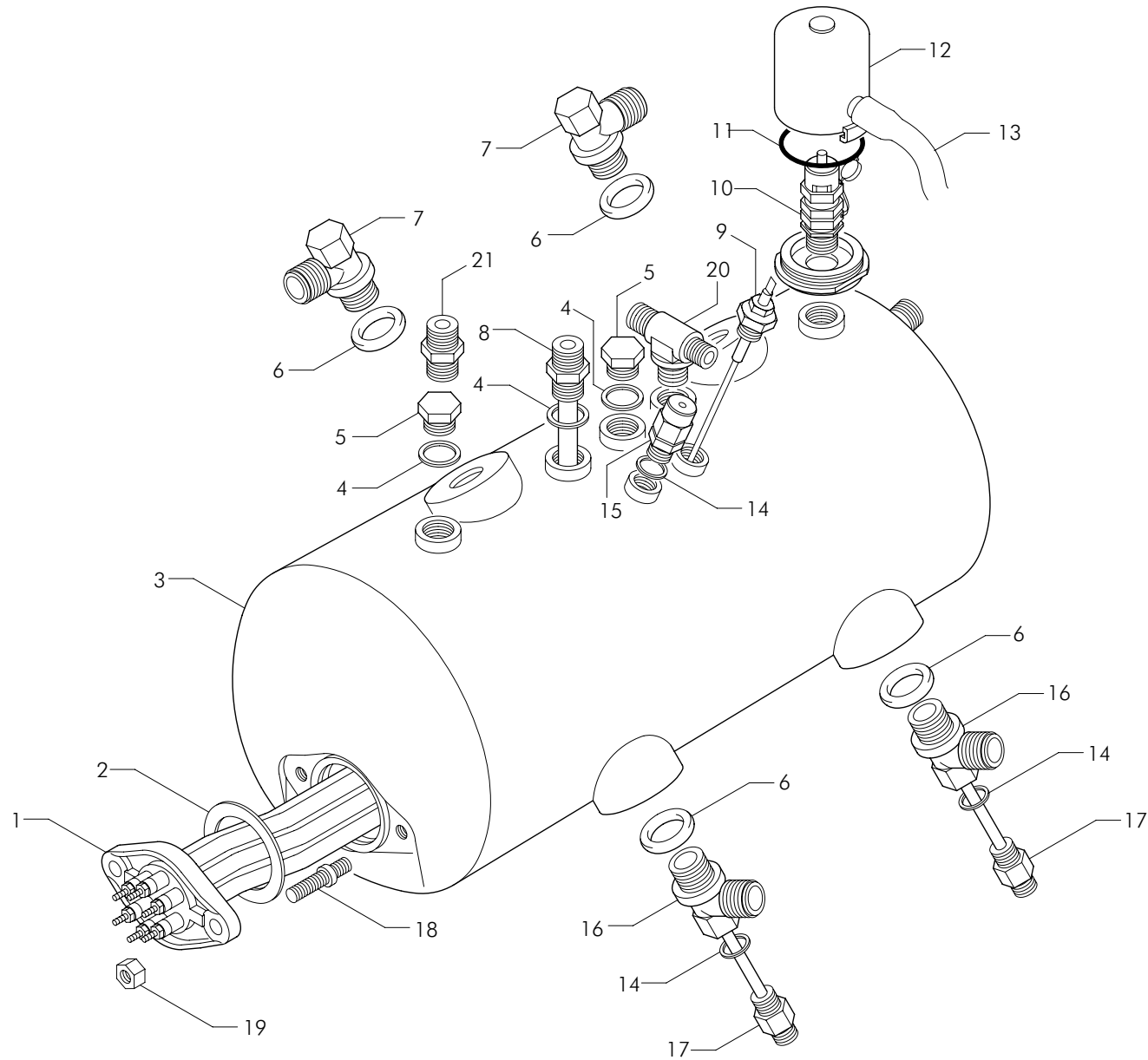
**CMAX-31**

rev.00

**CALDAIA - BOILER - CHAUDIERE - KESSEL**

**COOKMAX**

**CMAX**



Pos	Cod.	Denominazione - IT -	Denomination - GB -	Denomination - FR -	Denomination - DE -
1	WY17051	RESISTENZA 2GR 4P 230/240V 2600W	HEATING ELEMENT 2GR 220V/240V-2600W	RESISTANCE ELEC.2GR 220V/240V-2600W	HEIZKORPER 2GR 220V/240V 2600W
1	WY17059	RESISTENZA 2GR 6P 230/380V 3400W	HEATING EL.2GR 220/380V-3400W 6POLE	RESISTANCE 2GR 220/380V-3400W 6POLE	HEIZKORPER 2GR 220/380V-3400W 6P
2	WY12001	GUARNIZIONE TEFLON VERGINE X RES/SCA	TEFLON GASKET ELEMENT/EXCH. 58X43X2	JOINT TEFLON RESIST/ECHANG. 58X43X2	TEFLON DICHTUNG 58X23X2
3	WY62203	CALDAIA 2GR ER ECO	BOILER 2GR ECO	CHAUDIERE 2GR ECO	KESSEL 2GR ECO
4	WY12154	GUARNIZIONE CU 3/8 22X17X1.5	3/8 22X17X1.5 COPPER SEAL	JOINT CUIVRE 3/8 22X17X1.5	KUPFERDICHTUNG 3/8 22X17X1.5
5	WY25785	TAPPO MASCHIO 3/8	MALE CAP 3/8	BOUCHON MALE 3/8	STOPFEN 3/8
6	WY12105	GUARNIZIONE CU/ALIM 1/2 GAS	CU GASKET 1/2 GAS	JOINT CU 1/2 GAZ	CU DICHTUNG 1/2 GAS
7	WY23214	RACCORDO 1/2 L	CONNECTOR 1/2 L	RACCORD 1/2 L	FITTING 1/2 L
8	WY52001612	TBS.D-10 L.115 1>4GR DE 13	TUBE D-10 L.115 1>4GR DE 13	TUYAU D-10 L.115 1>4GR DE 13	ROHR D-10 L.115 1>4GR DE 13
9	WY20251	SONDA LIVELLO TL 10/B L125 908600	TL 10/B L125 900000 LEVEL PROBE	JAUGE TL 10/B L125 900000	PEGELFÜHLER TL 10/B L125 900000
10	WY20352	VALVOLA DI SICUREZZA *CE*	*CE* SAFETY VALVE	SOUPAPE DE SECURITE *CE*	SICHERHEITSVENTIL *CE*
11	WY12300000	GUARNIZIONE OR 3156 VITON X PISTONI	O RING VITON	JOINT OR VITON	OR DICHTUNG VITON
12	WY56009980	ASSIEME PROTEZIONE VALVOLE SICUREZZA	UNIT PROTECTION VALVE	ENSEMBLE PROTECTION VANNE	SATZ-SCHUTZGITTER VENTIL
13	WY15478002	TUBO SILICONE 8X11 L.70CM	SILICONE TUBE 8X11 L.70CM	TUYAU SILICONE 8X11 L.70CM	SILIKONROHR 8X11 L.70CM
14	WY12153	GUARNIZIONE CU 1/4 17X13.3X1.5	1/4 17X13.3X1.5 COPPER SEAL	JOINT CUIVRE 1/4 17X13.3X1.5	KUPFERDICHTUNG 1/4 17X13.3X1.5
15	WY56150	VALVOLA ANTIRISUCCHIO V.A.R.	ANTI-EDDY VALVE V.A.R.	SOUPAPE ANTI-DEPRESSION V.A.R.	VENTIL UNTERDRUCKFREI V.A.R.
16	WY23215	RACCORDO 1/2 T	CONNECTOR 'T' 1/2	RACCORD 1/2 "T"	FITTING 1/2 "T"
17	WY52002788	TBS.D-6 L.85 1-4GR W 67 INIETTORE	DRAIN TUBE D6 L85 1-4GR	TUYAU A VIDANGER D6 L85 1-4GR	ROHR D-6 L.85
18	WY23135	PRIG.INOX MEM ASTM-A193 B8 10X32 CT	STEEL BOLT ASTM-A193 B8 10X32 CT	VIS INOX ASTM-A193 B8 10X32 CT	STAHLSCHRAUBE ASTM-A193 B8 10X32 CT
19	WY23049	DADO OTTONE M8 UNI 5587	BRASS NUT M8 UNI 5587	ECROU LAITON M8 UNI 5587	MESSING-SCHRAUBENMUTTER M8 UNI 5587
20	WY43033	RACCORDO "T" 3/8X3/8X1/4	3/8X3/8X1/4 T FITTING	RACCORD "T" 3/8X3/8X1/4	ANSCHLUSS 3/8X3/8X1/4 T
21	WY25687	RACCORDO 3/8X3/8 GAS	3/8X3/8 GAS FITTING	RACCORD 3/8X3/8 GAZ	ANSCHLUSS 3/8X3/8 GAS

*Impianto Idraulico - Hydraulic Circuit - Circuit Hydraulique - Wasser-anlage*

**CMAX-41**

rev.00

**S1 CMAX**

**CMAX-42**

rev.00

**A1 CMAX**

**CMAX-43**

rev.00

**S2 CMAX**

**CMAX-44**

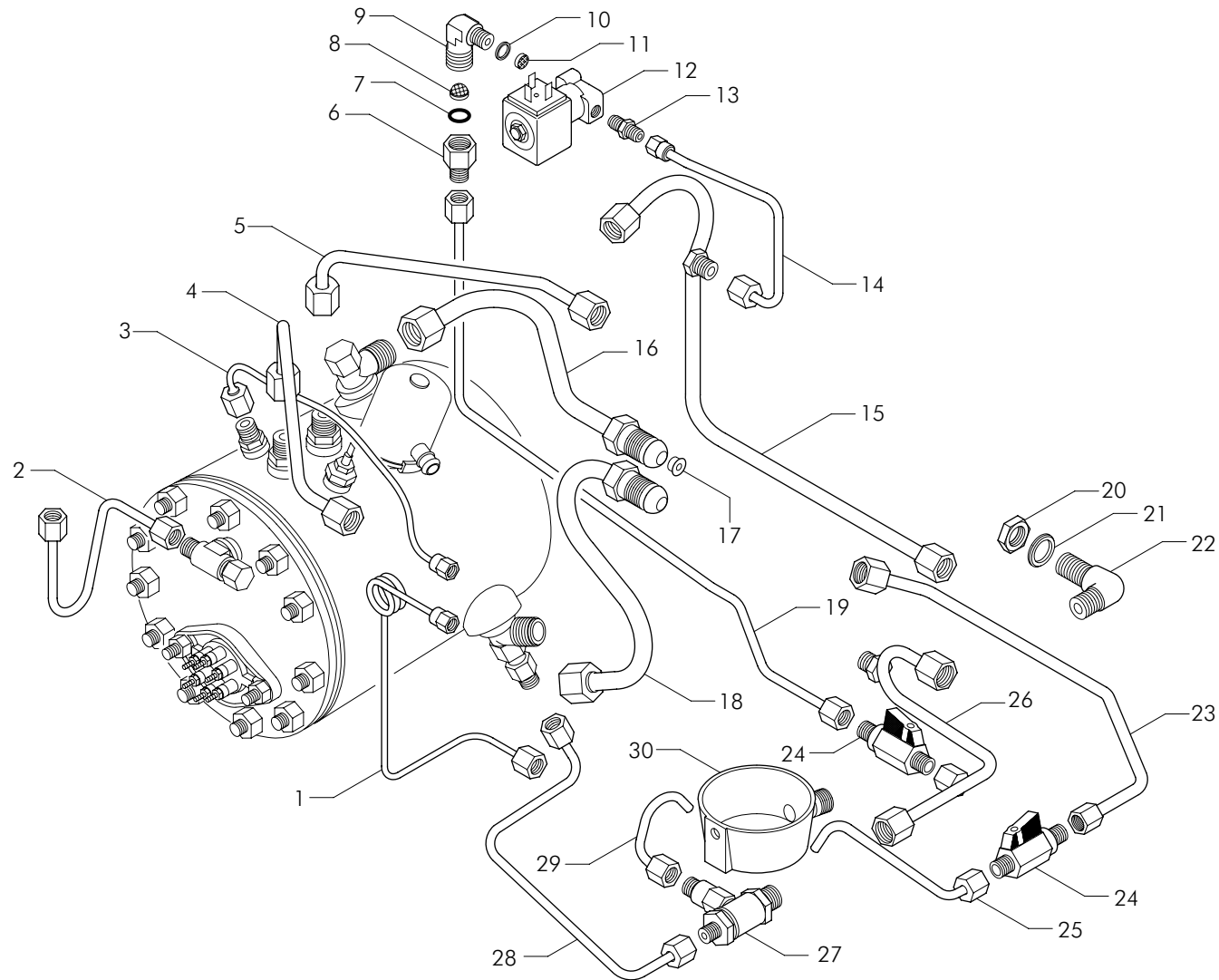
rev.00

**A2 CMAX**

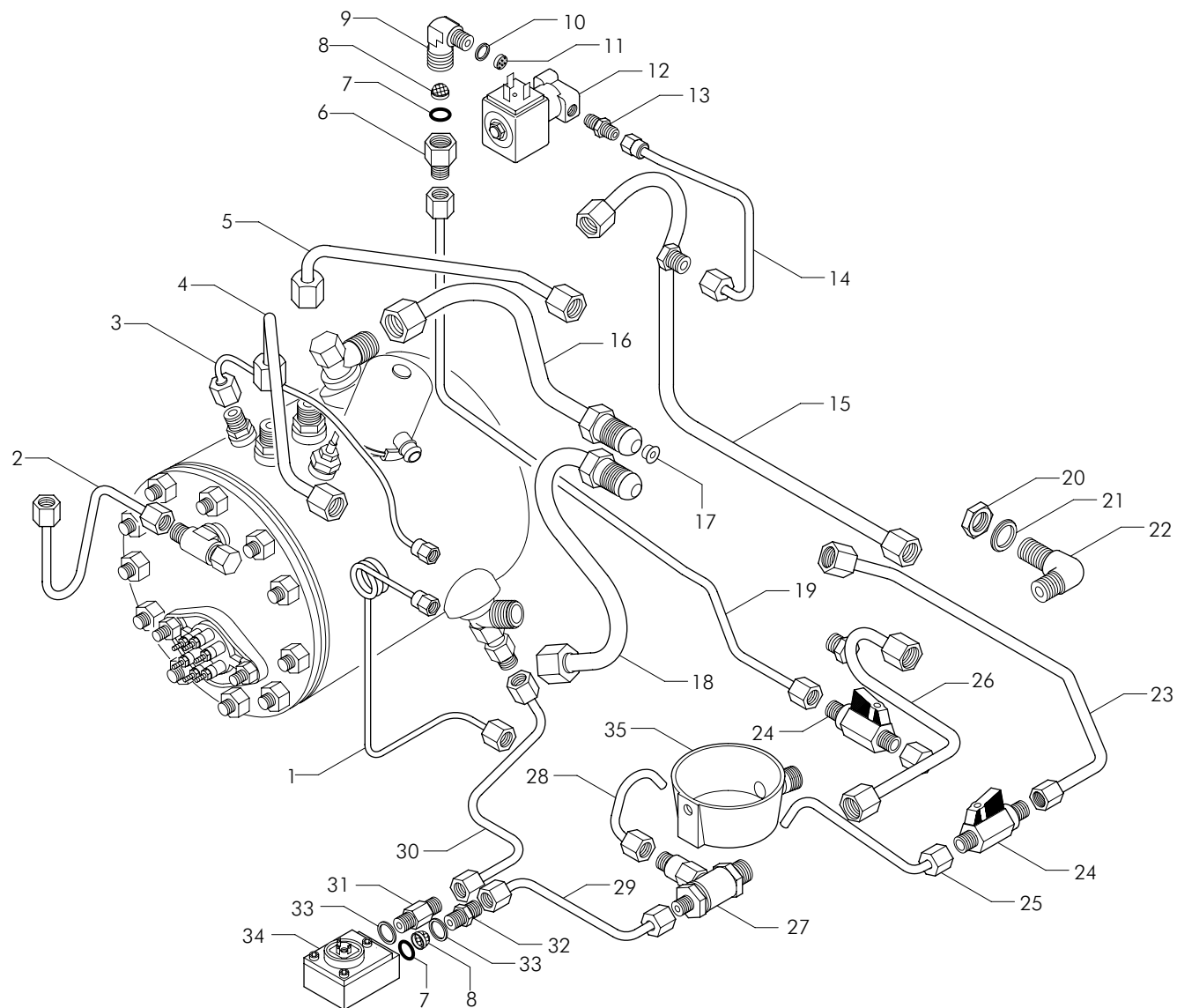
**COOKMAX**

**CMAX**

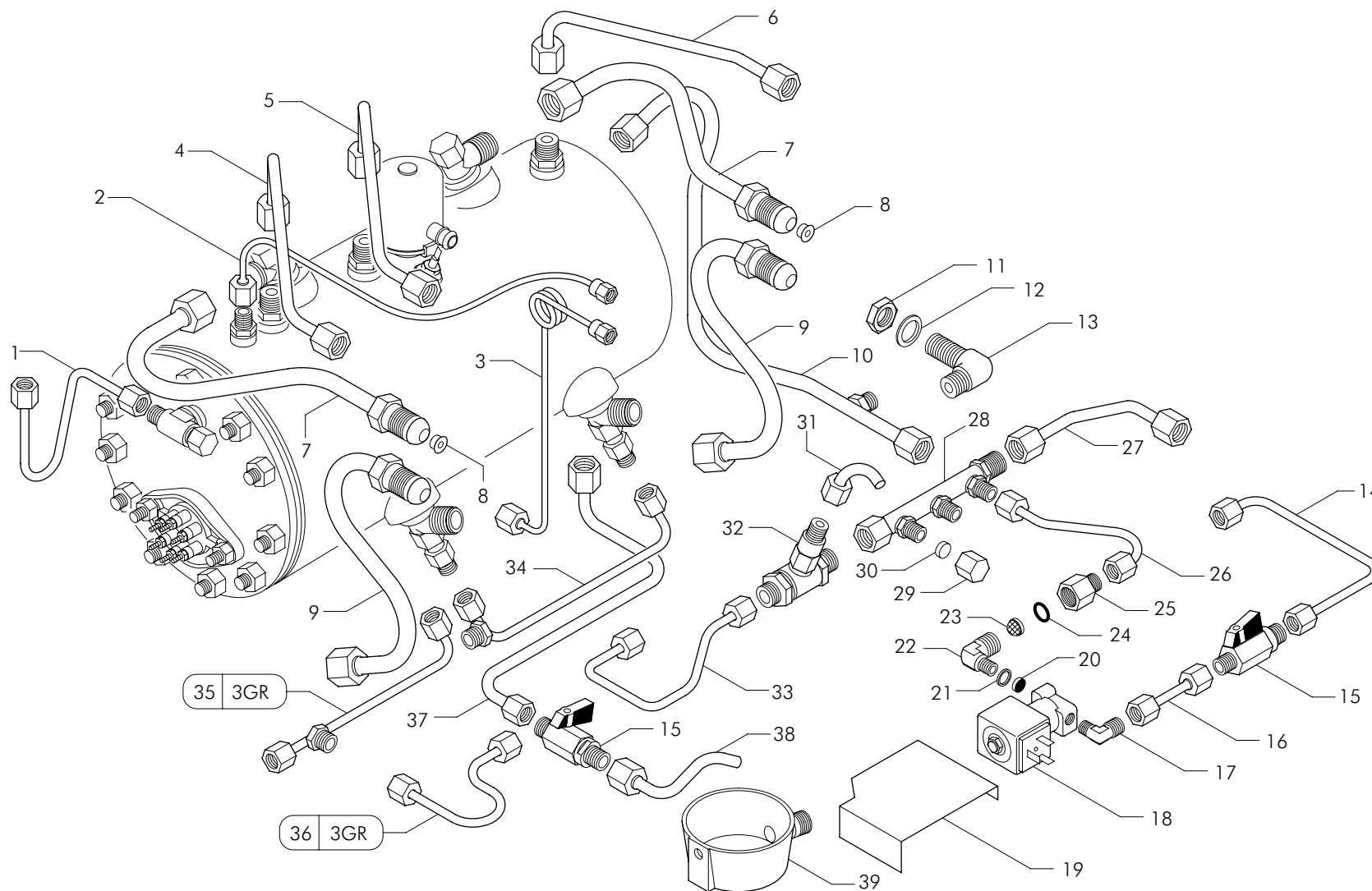




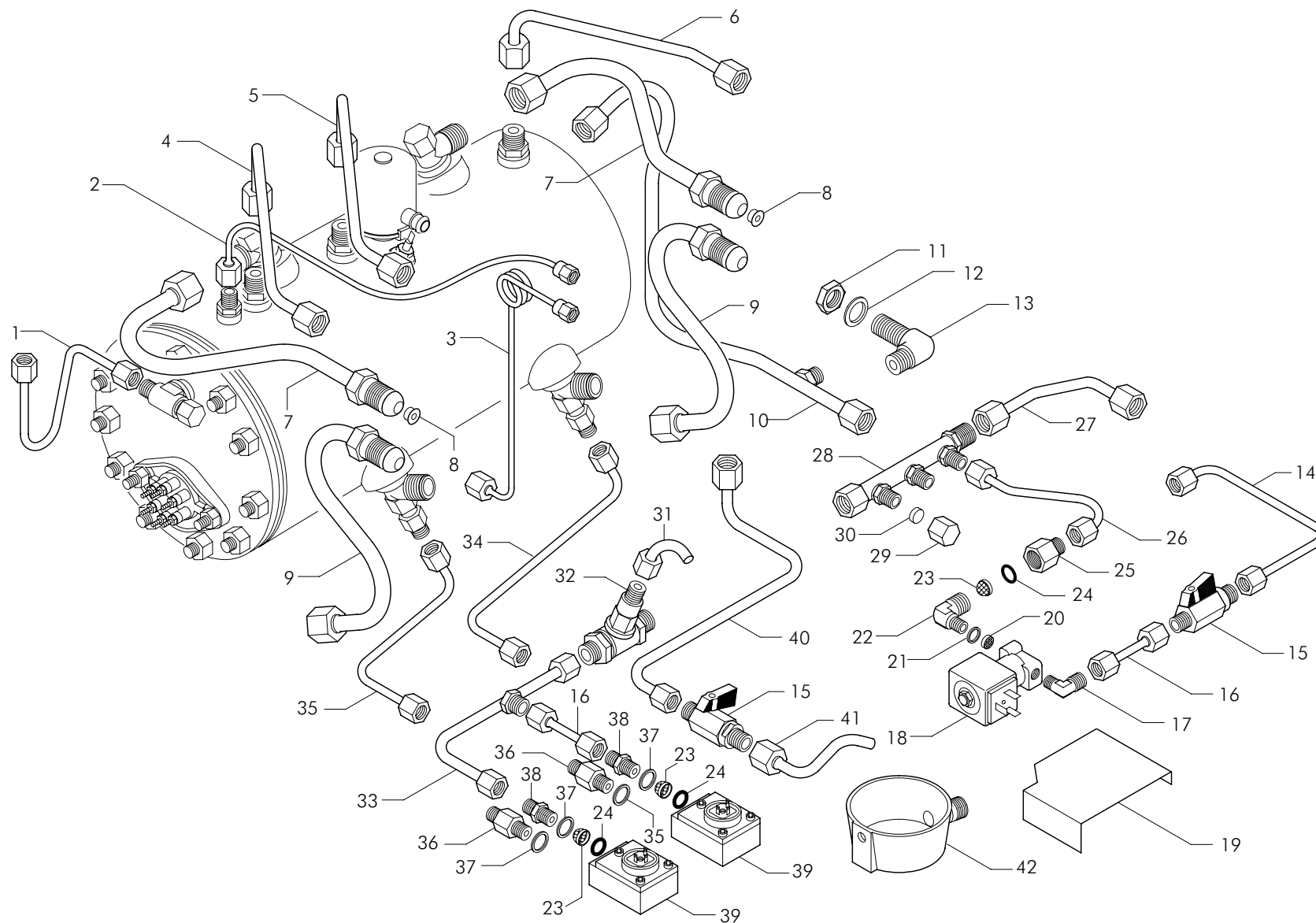
Pos	Cod.	Denominazione - IT -	Denomination - GB -	Denomination - FR -	Denomination - DE -
1	WY52000110	TBS.D-4 L.730 1-4GR A 44	TUBE D-4 L.730 1-4 GR A 44	TUYAU D-4 L.730 1-4GR A 44	ROHR D-4 L.730 1-4GR A 44
2	WY52002886	TUBO D-6 L.215 2/3 W146/A	TUBE D-6 L.215 W146/A	TUYAU D-6 L.215 W146/A	ROHR D-6 L.215 W146/A
3	WY52001433	TBS.D-4 L.310 2-3GR CTS AR 56 CALDAIA	TUBE D-4 L.310	TUYAU D-4 L.310	ROHR D-4 L.310
4	WY52002732	TUBO D-8 L.265 4GR W 21CALDAIA	TUBE D-8 L.265 W21	TUYAU D-8 L.265 W21	ROHR D-8 L.265 W21
5	WY52003209	TUBO D-8 L.340 '99 WO 10 CALDAIA	TUBE D-8 L.340 W010	TUYAU D-8 L.340 W010	ROHR D-8 L.340 W010
6	WY25705	RACCORDO FILTRO AEA	AUT.WATER REFILL FILTER CONNECTOR	RACCORD FILTRE REM.EAU.AUT.	FILTERFITTING AUT.WASSERFULLUNG
7	WY12312	GUARNIZIONE OR FILTRO AEA 10X2	O RING FOR WATER REFILL FILTER 10X2	JOINT OR FILTRE AUT.REM.EAU 10X2	OR DICHTUNG FUR WASSERFULLUNGFILTER
8	WY10254	FILTRO ACCIAIO 160-200 MESH	STEEL FILTER 160-200 MESH	FILTRE EN ACIER 160-200 MESH	STAHLFILTER 160-200 MESH
9	WY23217	RACCORDO GOMITO D10 3/8X1/8 CON AEA	FITTING D10 3/8X1/8 WITH AWI F 1.2	RACCORD GOMME D10 3/8X1/8 AEE F 1.2	FITTING D10 3/8X1/8 MIT A.W.F. 1.2
10	WY12155	GUARNIZIONE CU 8.5X5X1	COPPER GASKET 8.5X5X1	JOINT CU 8.5X5X1	CU DICHTUNG 8.5X5X1
11	WY10251001	FILTRO IN ACCIAIO D-8 SP.0,3	STEEL FILTER D-8 - 0.3 THICK	FILTRE EN ACIER D-8 EP.0,3	STAHLFILTER D-8 SP.0,3
12	WY18162002	ELETTROVALVOLA 230V AEA VDE	SOL.VALVE WATER REFILL 230V PARKER	ELECTROVANNE REA 230V PARKER	ELEKTROVENTIL AWZ 230V PARKER
12	WY18195	ELETTROVALVOLA 120V VE140.2IR VDE/UL	SOLENOID VALVE SCEM 2/2 110V 60HZ	ELECTROVANNE SCEM 2/2 110V 60HZ	MAGNETVENTIL SCEM 2/2 110V 60HZ
13	WY23210	RACCORDO DIRITTO D4 1/8X1/8 CON L.5	STRAIGHT FITTING D4 1/8X1/8 CONICAL	RACC. DROIT D4 1/8X1/8 CONIQUE L.5	GERADER ANSCHLUSS D4 1/8X1/8 MIT L.5 110
14	WY52002831	TUBO D-6 L.210 W 145ELETTROVALVOLA	TUBE D-6 L.210 W145	TUYAU D-6 L.210 W145	ROHR D-6 L.210 W145
15	WY52002535	TBS.D-10 L.450 H 32/CRPOMPA	TUBE D-10 L.450 H32	TUYAU D-10 L.450 H32	ROHR D-10 L.450 H32
16	WY52002707	TBS.D-12 L.310 1GR W 4CALDAIA	TUBE D-12 L.310 1GR	TUYAU D-12 L.310 1GR	ROHR D-12 L.310 1GR
17	WY23293	STROZZATURA RICIRCOLO GR D 4	REDUCED CONNECTOR OF GROUP D4	RACCORD REDUIT DU GROUPE D4	VERKLEINERTE FITTING DER GRUPPE D4
18	WY52002893	TBS.D-12 L.245 JUNIOR W7/JGRUPPO INF.	TUBE D-12 L.245 W7/J	TUYAU D-12 L.245 W7/J	ROHR D-12 L.245 W7/J
19	WY52003303	TUBO D-6 L.600 CW 4	TUBE D-6 L.600 CW 4	TUYAU D-6 L.600 CW 4	ROHR D-6 L.600 CW 4
20	WY25356	CONTRODADO OTTONE 3/8	BRASS LOCK NUT 3/8	CONTRE-ECROU LAITON 3/8	MESSING-GEGENMUTTER 3/8
21	WY25651	RONDELLA OTTONE 3/8	BRASS WASHER 3/8	RONDELLE LAITON 3/8	MESSINGSCHIEBE 3/8
22	WY43067	RACCORDO "L" 3/8 GASX3/8 GAS L.30	3/8 GAS X 3/8 GAS L FITTING L.30	RACCORD L 3/8 GAZX3/8 GAZ L.30	ANSCHLUSS L 3/8 GAS X 3/8 GAS L. 30
23	WY52002947	TBS.D-8 L.430 W 180/A WO/AT	TUBE D-8 L.430 W180/A	TUYAU D-8 L.430 W180/A	ROHR D-8 L.430 W180/A
24	WY20354	VALVOLA CHIUSURA AEA	PRESSURE RELEASE TAP BULK UNIT	CLAPET FERMETURE AUT.ARRIVEE EAU	ABSPERRVENTIL X AUT.WASSERZUFUHR
25	WY52001351	TUB.D-6 L.170 2GR SAE LD 42	TUBE D-6 L.170 2GR SAE LD 42	TUYAU D-6 L.170 2GR SAE LD 42	ROHR D-6 L.170 2GR SAE LD 42
26	WY52003302	TBS.D-8 L.265	TUBE D-8 L.265	TUYAU D-8 L.265	ROHR D-8 L.265
27	WY20361	VALVOLA S.C.N.R. REGOLABILE	ADJUSTABLE S.C.N.R. VALVE	SOUPAPE S.C.N.R. REGLABLE	EINSTELLBARES VENTIL S.N.C.R.
28	WY52003004	TBS.D-6 L.390 SP 5 SCNR > INIETTORE	TUBE D-6 L.390 SP5	TUYAU D-6 L.390 SP5	ROHR D-6 L.390 SP5
29	WY52001350	TUB.D-6 L.105 2GR SAE LD 41	D-6 105 L PIPE 2GR SAE LD 41	TUYAU D-6 L.105 2GR SAE LD 41	ROHR D-6 L.105 2GR SAE LD 41
30	WY15502	VASCETTA SCARICO ROTONDA D 80	ROUND DRAIN BASIN D.80MM	CUVE A VIDANGER RONDE D.80MM	RUNDE ABFLUSSCHALE D.80MM



Pos	Cod.	Denominazione - IT -	Denomination - GB -	Denomination - FR -	Denomination - DE -
1	WY52000110	TBS.D-4 L.730 1-4GR A 44	TUBE D-4 L.730 1-4 GR A 44	TUYAU D-4 L.730 1-4GR A 44	ROHR D-4 L.730 1-4GR A 44
2	WY52002886	TUBO D-6 L.215 2/3 W146/A	TUBE D-6 L.215 W146/A	TUYAU D-6 L.215 W146/A	ROHR D-6 L.215 W146/A
3	WY52001433	TBS.D-4 L.310 2-3GR CTS AR 56 CALDAIA	TUBE D-4 L.310	TUYAU D-4 L.310	ROHR D-4 L.310
4	WY52002732	TUBO D-8 L.265 4GR W 21CALDAIA	TUBE D-8 L.265 W21	TUYAU D-8 L.265 W21	ROHR D-8 L.265 W21
5	WY52003209	TUBO D-8 L.340 '99 WO 10 CALDAIA	TUBE D-8 L.340 W010	TUYAU D-8 L.340 W010	ROHR D-8 L.340 W010
6	WY25705	RACCORDO FILTRO AEA	AUT.WATER REFILL FILTER CONNECTOR	RACCORD FILTRE REM.EAU.AUT.	FILTERFITTING AUT.WASSERFULLUNG
7	WY12312	GUARNIZIONE OR FILTRO AEA 10X2	O RING FOR WATER REFILL FILTER 10X2	JOINT OR FILTRE AUT.REM.EAU 10X2	OR DICHTUNG FUR WASSERFULLUNGFILTER
8	WY10254	FILTRO ACCIAIO 160-200 MESH	STEEL FILTER 160-200 MESH	FILTRE EN ACIER 160-200 MESH	STAHLFILTER 160-200 MESH
9	WY23217	RACCORDO GOMITO D10 3/8X1/8 CON AEA	FITTING D10 3/8X1/8 WITH AWI F 1.2	RACCORD GOMME D10 3/8X1/8 AEE F 1.2	FITTING D10 3/8X1/8 MIT A.W.F. 1.2
10	WY12155	GUARNIZIONE CU 8.5X5X1	COPPER GASKET 8.5X5X1	JOINT CU 8.5X5X1	CU DICHTUNG 8.5X5X1
11	WY10251001	FILTRO IN ACCIAIO D-8 SP.0,3	STEEL FILTER D-8 - 0.3 THICK	FILTRE EN ACIER D-8 EP.0,3	STAHLFILTER D-8 SP.0,3
12	WY18162002	ELETTROVALVOLA 230V AEA VDE	SOL.VALVE WATER REFILL 230V PARKER	ELECTROVANNE REA 230V PARKER	ELEKTROVENTIL AWZ 230V PARKER
12	WY18195	ELETTROVALVOLA 120V VE140.2IR VDE/UL	SOLENOID VALVE SCEM 2/2 110V 60HZ	ELECTROVANNE SCEM 2/2 110V 60HZ	MAGNETVENTIL SCEM 2/2 110V 60HZ
13	WY23210	RACCORDO DIRITTO D4 1/8X1/8 CON L.5	STRAIGHT FITTING D4 1/8X1/8 CONICAL	RACC. DROIT D4 1/8X1/8 CONIQUE L.5	GERADER ANSCHLUSS D4 1/8X1/8 MIT L.5 110
14	WY52002831	TUBO D-6 L.210 W 145ELETTROVALVOLA	TUBE D-6 L.210 W145	TUYAU D-6 L.210 W145	ROHR D-6 L.210 W145
15	WY52002535	TBS.D-10 L.450 H 32/CRPOMPA > CALDAIA	TUBE D-10 L.450 H32	TUYAU D-10 L.450 H32	ROHR D-10 L.450 H32
16	WY52002707	TBS.D-12 L.310 1GR W 4CALDAIA	TUBE D-12 L.310 1GR	TUYAU D-12 L.310 1GR	ROHR D-12 L.310 1GR
17	WY23293	STROZZATURA RICIRCOLO GR D 4	REDUCED CONNECTOR OF GROUP D4	RACCORD REDUIT DU GROUPE D4	VERKLEINERTE FITTING DER GRUPPE D4
18	WY52002893	TBS.D-12 L.245 JUNIOR W7/JGRUPPO INF.	TUBE D-12 L.245 W7/J	TUYAU D-12 L.245 W7/J	ROHR D-12 L.245 W7/J
19	WY52003303	TUBO D-6 L.600 CW 4	TUBE D-6 L.600 CW 4	TUYAU D-6 L.600 CW 4	ROHR D-6 L.600 CW 4
20	WY25356	CONTRODADO OTTONE 3/8	BRASS LOCK NUT 3/8	CONTRE-ECROU LAITON 3/8	MESSING-GEGENMUTTER 3/8
21	WY25651	RONDELLA OTTONE 3/8	BRASS WASHER 3/8	RONDELLE LAITON 3/8	MESSINGSCHEIBE 3/8
22	WY43067	RACCORDO "L" 3/8 GASX3/8 GAS L.30	3/8 GAS X 3/8 GAS L FITTING L.30	RACCORD L 3/8 GAZX3/8 GAZ L.30	ANSCHLUSS L 3/8 GAS X 3/8 GAS L. 30
23	WY52002947	TBS.D-8 L.430 W 180/A WO/AT	TUBE D-8 L.430 W180/A	TUYAU D-8 L.430 W180/A	ROHR D-8 L.430 W180/A
24	WY20354	VALVOLA CHIUSURA AEA	PRESSURE RELEASE TAP BULK UNIT	CLAPET FERMETURE AUT.ARRIVEE EAU	ABSPERRVENTIL X AUT.WASSERZUFUHR
25	WY52001351	TUB.D-6 L.170 2GR SAE LD 42	TUBE D-6 L.170 2GR SAE LD 42	TUYAU D-6 L.170 2GR SAE LD 42	ROHR D-6 L.170 2GR SAE LD 42
26	WY52003302	TBS.D-8 L.265	TUBE D-8 L.265	TUYAU D-8 L.265	ROHR D-8 L.265
27	WY20361	VALVOLA S.C.N.R. REGOLABILE	ADJUSTABLE S.C.N.R. VALVE	SOUPAPE S.C.N.R. REGLABLE	EINSTELLBARES VENTIL S.N.C.R.
28	WY52001350	TUB.D-6 L.105 2GR SAE LD 41	D-6 105 L PIPE 2GR SAE LD 41	TUYAU D-6 L.105 2GR SAE LD 41	ROHR D-6 L.105 2GR SAE LD 41
29	WY52000243	TUB.D-6 L.145 DV 44	D-6 145 L PIPE DV 44	TUYAU D-6 L.145 DV 4	ROHR D. 6 L.145 DV 4
30	WY52003000	TBS.D-6 L.230 SP 1 DOSATORE	TUBE D-6 L.230 SP1	TUYAU D-6 L.230 SP1	ROHR D-6 L.230 SP1
31	WY25708	RACCORDO 1/4X1/4	1/4X1/4 FITTING	RACCORD 1/4X1/4	ANSCHLUSS 1/4X1/4
32	WY25686	RACCORDO 1/4X1/4 FLANGIA	CONNECTOR 1/4 X 1/4 FLANGE	RACCORD 1/4 X 1/4 BRIDE	ANSCHLUSS 1/4X1/4 FLANSCH
33	WY12153	GUARNIZIONE CU 1/4 17X13.3X1.5	1/4 17X13.3X1.5 COPPER SEAL	JOINT CUIVRE 1/4 17X13.3X1.5	KUPFERDICHTUNG 1/4 17X13.3X1.5
34	WY18126	DOSATORE FLOWMETER FH 12 909602	FH 12 907613 FLOWMETER DOSER	DOSEUR FLOWMETER FH 12 907613	DOSIERER FLOWMETER FH 12 907613
35	WY15502	VASCHETTA SCARICO ROTONDA D 80	ROUND DRAIN BASIN D.80MM	CUVE A VIDANGER RONDE D.80MM	RUNDE ABFLUSSCHALE D.80MM

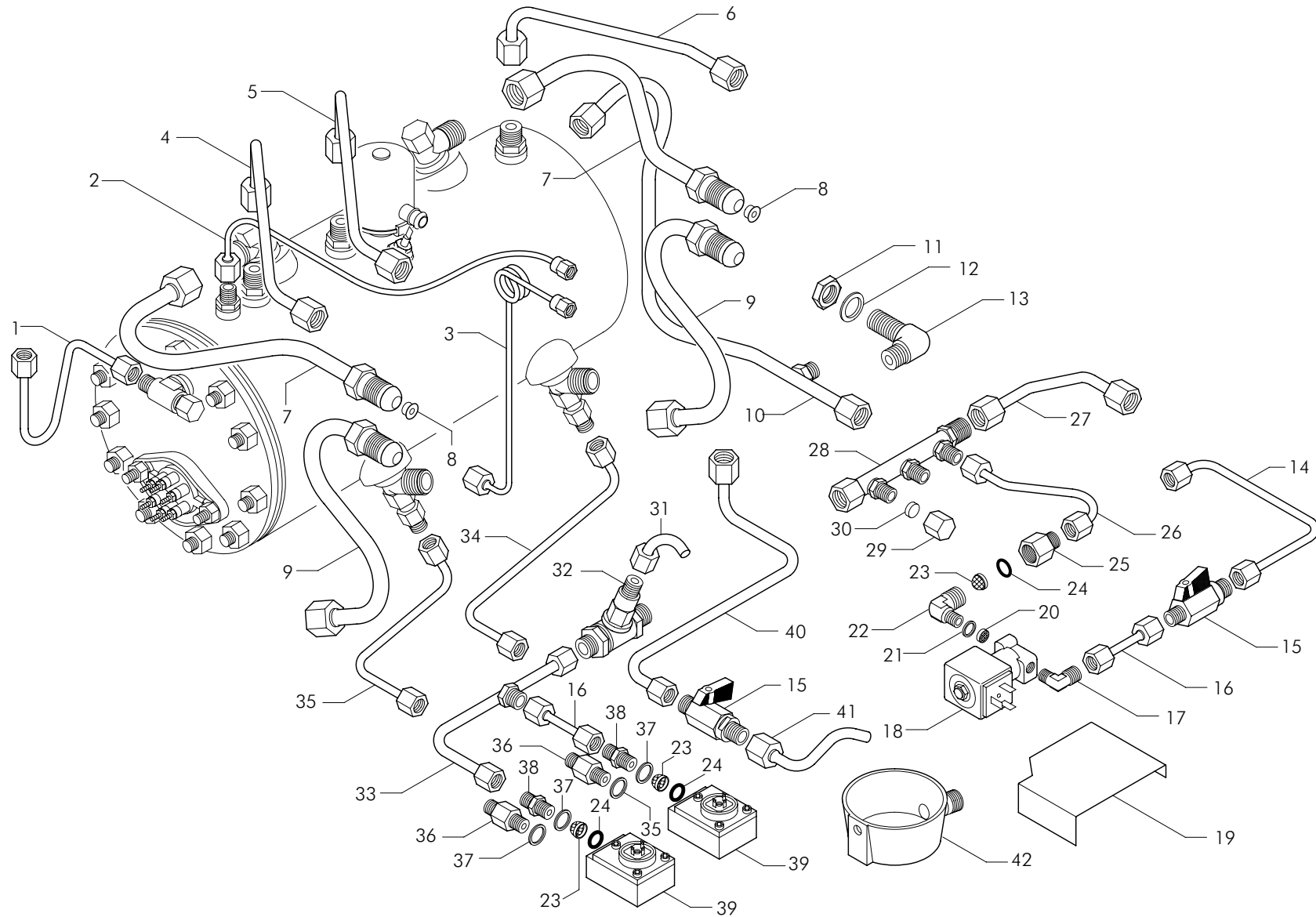


Pos	Cod.	Denominazione - IT -	Denomination - GB -	Denomination - FR -	Denomination - DE -
1	WY52002886	TUBO D-6 L.215 2/3 W146/A	TUBE D-6 L.215 W146/A	TUYAU D-6 L.215 W146/A	ROHR D-6 L.215 W146/A
2	WY52001437	TBS.D-4 L.435 1GR CTS AR 60	D-4 435 L PIPE 1GR CTS AR 60	TUYAU D-4 L.435 1GR CTS AR 60	ROHR D-4 L.435 1GR CTS AR 60
3	WY52000110	TBS.D-4 L.730 1-4GR A 44	TUBE D-4 L.730 1-4 GR A 44	TUYAU D-4 L.730 1-4GR A 44	ROHR D-4 L.730 1-4GR A 44
4	WY52002841	TUBO D-8 L.290 W 154 CALDAIA	TUBE D-8 L.290 W154	TUYAU D-8 L.290 W154	ROHR D-8 L.290 W154
5	WY52002842	TUBO D-8 L.300 W 155CALDAIA	TUBE D-8 L.300 W155	TUYAU D-8 L.300 W155	ROHR D-8 L.300 W155
6	WY52002840	TUBO D-8 L.285 W 153CALDAIA	TUBE D-8 L.285 W153	TUYAU D-8 L.285 W153	ROHR D-8 L.285 W153
7	WY52002708	TBS.D-12 L.295 2-4GR W 5CALDAIA	TUBE D-12 L.295 2-4GR	TUYAU D-12 L.295 2-4GR	ROHR D-12 L.295 2-4GR
8	WY23293	STROZZATURA RICIRCOLO GR D 4	REDUCED CONNECTOR OF GROUP D4	RACCORD REDUIT DU GROUPE D4	VERKLEINERTE FITTING DER GRUPPE D4
9	WY52002893	TBS.D-12 L.245 JUNIOR W7/JGRUPPO INF.	TUBE D-12 L.245 W7/J	TUYAU D-12 L.245 W7/J	ROHR D-12 L.245 W7/J
10	WY52002840	TUBO D-8 L.285 W 153CALDAIA	TUBE D-8 L.285 W153	TUYAU D-8 L.285 W153	ROHR D-8 L.285 W153
11	WY25356	CONTRDADO OTTONE 3/8	BRASS LOCK NUT 3/8	CONTRE-ECROU LAITON 3/8	MESSING-GEGENMUTTER 3/8
12	WY25651	RONDELLA OTTONE 3/8	BRASS WASHER 3/8	RONDELLE LAITON 3/8	MESSINGSCHLEIBE 3/8
13	WY43067	RACCORDO "L" 3/8 GASX3/8 GAS L.30	3/8 GAS X 3/8 GAS L FITTING L.30	RACCORD L 3/8 GAZX3/8 GAZ L.30	ANSCHLUSS L 3/8 GAS X 3/8 GAS L. 30
14	WY52000205	TUB.D-6 L.230 DV 6	D-6 230 L PIPE DV 6	TUYAU D-6 L.230 DV	ROHR D. 6 L.230 DV
15	WY20354	VALVOLA CHIUSURA AEA	PRESSURE RELEASE TAP BULK UNIT	CLAPET FERMETURE AUT.ARRIVEE EAU	ABSPERRVENTIL X AUT.WASSERZUFUHR
16	WY52000202	TBS.D-6 L.65 DV 3	D-6 65 L PIPE DV 3	TUYAU D-6 L.65 DV	ROHR D. 6 L.65 DV
17	WY23201	RACCORDO OTT.GOM.D6.2 1/4X1/8-AEA	ELBOW BRASS CONNECTOR D6.2 1/4X1/8	RACCORD COUDE LAITON D6.2 1/4X1/8	MESSING-ANSCHLUSS D6.2 1/4X1/8
18	WY18162002	ELETTRIVALVOLA 230V AEA VDE	SOL.VALVE WATER REFILL 230V PARKER	ELECTROVANNE REA 230V PARKER	ELEKTROVENTIL AWZ 230V PARKER
18	WY18195	ELETTRIVALVOLA 120V VE140.2IR VDE/UL	SOLENOID VALVE SCEM 2/2 110V 60HZ	ELECTROVANNE SCEM 2/2 110V 60HZ	MAGNETVENTIL SCEM 2/2 110V 60HZ
19	WY77604	COPRIELETTRIVALVOLA AEA WO/WN	AEA SOLENOID VALVE COVER	COUVRE-ELECTROVANNE AEA	ABDECKUNG ELEKTROVENTIL AEA
20	WY10251001	FILTRO IN ACCIAIO D-8 SP.0,3	STEEL FILTER D-8 - 0.3 THICK	FILTRE EN ACIER D-8 EP.0,3	STAHLFILTER D-8 SP.0,3
21	WY12155	GUARNIZIONE CU 8.5X5X1	COPPER GASKET 8.5X5X1	JOINT CU 8.5X5X1	CU DICHTUNG 8.5X5X1
22	WY23217	RACCORDO GOMITO D10 3/8X1/8 CON AEA	FITTING D10 3/8X1/8 WITH AWI F 1.2	RACCORD GOMME D10 3/8X1/8 AEE F 1.2	FITTING D10 3/8X1/8 MIT A.W.F. 1.2
23	WY10254	FILTRO ACCIAIO 160-200 MESH	STEEL FILTER 160-200 MESH	FILTRE EN ACIER 160-200 MESH	STAHLFILTER 160-200 MESH
24	WY12312	GUARNIZIONE OR FILTRO AEA 10X2	O RING FOR WATER REFILL FILTER 10X2	JOINT OR FILTRE AUT.REM.EAU 10X2	OR DICHTUNG FUR WASSERFULLUNGFILTER
25	WY25705	RACCORDO FILTRO AEA	AUT.WATER REFILL FILTER CONNECTOR	RACCORD FILTRE REM.EAU.AUT.	FILTERFITTING AUT.WASSERFULLUNG
26	WY52003202	TBS.D-6 L.130 WO 3 BLOCCHETTO > EV	TUBE D-6 L.130 WO 3	TUYAU D-6 L.130 WO 3	ROHR D-6 L.130 WO 3
27	WY52003201	TBS.D-8 L.155 WO 2 POMPA > BLOCCHETTO	TUBE D-8 L.155	TUYAU D-8 L.155	ROHR D-8 L.155
28	WY56136004	ASSIEME BLOCCO DISTRIBUZ.2-3-4GR	DISTRIBUTION BLOCK 2-3-4GR	BLOC DISTRIBUTION 2-3-4GR	BLOCK VERTEILER 2-3-4GR
29	WY25782	TAPPO FEMMINA 1/4 GAS	1/4 GAS FEMALE TAP	BOUCHON FEMELLE 1/4 GAZ	INNENANSCHLUSSSTÖPSEL 1/4 GAS
30	WY12007	GUARNIZIONE KLINGERSIL4400	KLINGERSIL4400 COPPER SEAL	JOINT KLINGERSIL4400 POUR BOUCHON	DICHTUNG KLINGER SIL4400 X DECKEL
31	WY52001351	TUB.D-6 L.170 2GR SAE LD 42	TUBE D-6 L.170 2GR SAE LD 42	TUYAU D-6 L.170 2GR SAE LD 42	ROHR D-6 L.170 2GR SAE LD 42
31	WY52002898	TUBO D-6 L.50 3 W169	D-6 50 L3 PIPE W169	TUYAU D-6 L.50 3 W1	ROHR D. 6 L.50 3 W1
32	WY20361	VALVOLA S.C.N.R. REGOLABILE	ADJUSTABLE S.C.N.R. VALVE	SOUPAPE S.C.N.R. REGLABLE	EINSTELLBARES VENTIL S.N.C.R.
33	WY52003203	TUBO D-6 L.245 '99 WO 4 SCNR > TUB.	TUBE D-6 L.250 W04	TUYAU D-6 L.250 W04	ROHR D-6 L.250 W04
34	WY52003014	TBS.D-6 L.245 2>4GR SP 15 INIETTORE	TUBE D-6 L.245 SP15	TUYAU D-6 L.245 SP15	ROHR D-6 L.245 SP15
35	WY52003022	TBS.D-6 L.250 3GR SP 23 SP 15	TUBE D-6 L.250	TUYAU D-6 L.250	ROHR D-6 L.250
36	WY52003207	TUBO D-6 L.175 WO 8 SCNR > TUBETTO	TUBE D-6 L.175	TUYAU D-6 L.175	ROHR D-6 L.175
37	WY52000215	TBS.D-8 L.370 2GR DV 16 SCARICO CALD.	D-8 370 L PIPE DV 16	TUYAU D-8 L.370 DV 1	ROHR D. 8 L.370 DV 1
37	WY52000321	TBS.D-6 L.255 DV 5/A	D-6 255 L PIPE DV 5/A	TUYAU D-6 L.255 DV 5/	ROHR D. 6 L.255 DV 5/
38	WY52000267	TBS.D-8 L.100 DV 68 RUBINETTO DI	D-8 100 L PIPE DV 68	TUYAU D-8 L.100 DV 6	ROHR D. 8 L.100 DV 6
39	WY15502	VASCHETTA SCARICO ROTONDA D 80	ROUND DRAIN BASIN D.80MM	CUVE A VIDANGER RONDE D.80MM	RUNDE ABFLUSSCHALE D.80MM



Pos	Cod.	Denominazione - IT -	Denomination - GB -	Denomination - FR -	Denomination - DE -
1	WY52002886	TUBO D-6 L.215 2/3 W146/A	TUBE D-6 L.215 W146/A	TUYAU D-6 L.215 W146/A	ROHR D-6 L.215 W146/A
2	WY52001437	TBS.D-4 L.435 1GR CTS AR 60	D-4 435 L PIPE 1GR CTS AR 60	TUYAU D-4 L.435 1GR CTS AR 60	ROHR D-4 L.435 1GR CTS AR 60
3	WY52000110	TBS.D-4 L.730 1-4GR A 44	TUBE D-4 L.730 1-4 GR A 44	TUYAU D-4 L.730 1-4GR A 44	ROHR D-4 L.730 1-4GR A 44
4	WY52002841	TUBO D-8 L.290 W 154 CALDAIA	TUBE D-8 L.290 W154	TUYAU D-8 L.290 W154	ROHR D-8 L.290 W154
5	WY52002842	TUBO D-8 L.300 W 155CALDAIA	TUBE D-8 L.300 W155	TUYAU D-8 L.300 W155	ROHR D-8 L.300 W155
6	WY52002840	TUBO D-8 L.285 W 153CALDAIA	TUBE D-8 L.285 W153	TUYAU D-8 L.285 W153	ROHR D-8 L.285 W153
7	WY52002708	TBS.D-12 L.295 2-4GR W 5CALDAIA	TUBE D-12 L.295 2-4GR	TUYAU D-12 L.295 2-4GR	ROHR D-12 L.295 2-4GR
8	WY23293	STROZZATURA RICIRCOLO GR D 4	REDUCED CONNECTOR OF GROUP D4	RACCORD REDUIT DU GROUPE D4	VERKLEINERTE FITTING DER GRUPPE D4
9	WY52002893	TBS.D-12 L.245 JUNIOR W7/JGRUPPO INF.	TUBE D-12 L.245 W7/J	TUYAU D-12 L.245 W7/J	ROHR D-12 L.245 W7/J
10	WY52003200	TBS.D-10 L.440 WO 1 POMPA > CALDAIA	TUBE D-10 L.440	TUYAU D-10 L.440	ROHR D-10 L.440
11	WY25356	CONTRODADO OTTONE 3/8	BRASS LOCK NUT 3/8	CONTRE-ECROU LAITON 3/8	MESSING-GEGENMUTTER 3/8
12	WY25651	RONDELLA OTTONE 3/8	BRASS WASHER 3/8	RONDELLE LAITON 3/8	MESSINGSCHLEIBE 3/8
13	WY43067	RACCORDO "L" 3/8 GASX3/8 GAS L.30	3/8 GAS X 3/8 GAS L FITTING L.30	RACCORD L 3/8 GAZX3/8 GAZ L.30	ANSCHLUSS L 3/8 GAS X 3/8 GAS L. 30
14	WY52000205	TUB.D-6 L.230 DV 6	D-6 230 L PIPE DV 6	TUYAU D-6 L.230 DV	ROHR D. 6 L.230 DV
15	WY20354	VALVOLA CHIUSURA AEA	PRESSURE RELEASE TAP BULK UNIT	CLAPET FERMETURE AUT.ARRIVEE EAU	ABSPERRVENTIL X AUT.WASSERZUFUHR
16	WY52000202	TBS.D-6 L.65 DV 3	D-6 65 L PIPE DV 3	TUYAU D-6 L.65 DV	ROHR D. 6 L.65 DV
17	WY23201	RACCORDO OTT.GOM.D6.2 1/4X1/8-AEA	ELBOW BRASS CONNECTOR D6.2 1/4X1/8	RACCORD COUDE LAITON D6.2 1/4X1/8	MESSING-ANSCHLUSS D6.2 1/4X1/8
18	WY18162002	ELETTRIVALVOLA 230V AEA VDE	SOL.VALVE WATER REFILL 230V PARKER	ELECTROVANNE REA 230V PARKER	ELEKTROVENTIL AWZ 230V PARKER
18	WY18195	ELETTRIVALVOLA 120V VE140.2IR VDE/UL	SOLENOID VALVE SCEM 2/2 110V 60HZ	ELECTROVANNE SCEM 2/2 110V 60HZ	MAGNETVENTIL SCEM 2/2 110V 60HZ
19	WY77604	COPRIELETTRIVALVOLA AEA WO/WN	AEA SOLENOID VALVE COVER	COUVRE-ELECTROVANNE AEA	ABDECKUNG ELEKTROVENTIL AEA
20	WY10251001	FILTRO IN ACCIAIO D-8 SP.0,3	STEEL FILTER D-8 - 0.3 THICK	FILTRE EN ACIER D-8 EP.0,3	STAHLFILTER D-8 SP.0,3
21	WY12155	GUARNIZIONE CU 8.5X5X1	COPPER GASKET 8.5X5X1	JOINT CU 8.5X5X1	CU DICHTUNG 8.5X5X1
22	WY23217	RACCORDO GOMITO D10 3/8X1/8 CON AEA	FITTING D10 3/8X1/8 WITH AWI F 1.2	RACCORD GOMME D10 3/8X1/8 AEE F 1.2	FITTING D10 3/8X1/8 MIT A.W.F. 1.2
23	WY10254	FILTRO ACCIAIO 160-200 MESH	STEEL FILTER 160-200 MESH	FILTRE EN ACIER 160-200 MESH	STAHLFILTER 160-200 MESH
24	WY12312	GUARNIZIONE OR FILTRO AEA 10X2	O RING FOR WATER REFILL FILTER 10X2	JOINT OR FILTRE AUT.REM.EAU 10X2	OR DICHTUNG FUR WASSERFULLUNGFILTER
25	WY25705	RACCORDO FILTRO AEA	AUT.WATER REFILL FILTER CONNECTOR	RACCORD FILTRE REM.EAU.AUT.	FILTERFITTING AUT.WASSERFULLUNG
26	WY52003202	TBS.D-6 L.130 WO 3 BLOCCHETTO > EV	TUBE D-6 L.130 WO 3	TUYAU D-6 L.130 WO 3	ROHR D-6 L.130 WO 3
27	WY52003201	TBS.D-8 L.155 WO 2 POMPA > BLOCCHETTO	TUBE D-8 L.155	TUYAU D-8 L.155	ROHR D-8 L.155
28	WY56136004	ASSIEME BLOCCO DISTRIBUZ.2-3-4GR	DISTRIBUTION BLOCK 2-3-4GR	BLOC DISTRIBUTION 2-3-4GR	BLOCK VERTEILER 2-3-4GR
29	WY25782	TAPPO FEMMINA 1/4 GAS	1/4 GAS FEMALE TAP	BOUCHON FEMELLE 1/4 GAZ	INNENANSCHLUSSSTÖPSEL 1/4 GAS
30	WY12007	GUARNIZIONE KLINGERSIL4400	KLINGERSIL4400 COPPER SEAL	JOINT KLINGERSIL4400 POUR BOUCHON	DICHTUNG KLINGER SIL4400 X DECKEL
31	WY52001351	TUB.D-6 L.170 2GR SAE LD 42	TUBE D-6 L.170 2GR SAE LD 42	TUYAU D-6 L.170 2GR SAE LD 42	ROHR D-6 L.170 2GR SAE LD 42
31	WY52002898	TUBO D-6 L.50 3 W169	D-6 50 L3 PIPE W169	TUYAU D-6 L.50 3 W1	ROHR D. 6 L.50 3 W1
32	WY20361	VALVOLA S.C.N.R. REGOLABILE	ADJUSTABLE S.C.N.R. VALVE	SOUPAPE S.C.N.R. REGLABLE	EINSTELLBARES VENTIL S.N.C.R.
33	WY52000320	TBS.D-8 L.215 DV 2/A	D-8 215 L PIPE DV 2/A	TUYAU D-8 L.215 DV 2/	ROHR D. 8 L.215 DV 2/
33	WY52000322	TBS.D-8 L.440 DV 29/A	D-8 445 L PIPE DV 29/A	TUYAU D-8 L.445 DV 29/	ROHR D. 8 L.445 DV 29/
34	WY52003204	TBS.D-6 L.320 '99 WO 5 DOS.DX	TUBE D-6 L.320 W05	TUYAU D-6 L.320 W05	ROHR D-6 L.320 W05
34	WY52003206	TBS.D-6 L.475 WO 7 DOSATORE DX	TUBE D-6 L.475	TUYAU D-6 L.475	ROHR D-6 L.475
35	WY52003205	TBS.D-6 L.230 '99 WO 6 DOS.SX	TUBE D-6 L.230 W06	TUYAU D-6 L.230 W06	ROHR D-6 L.230 W06





Pos	Cod.	Denominazione - IT -	Denomination - GB -	Denomination - FR -	Denomination - DE -
36	WY25708	RACCORDO 1/4X1/4	1/4X1/4 FITTING	RACCORD 1/4X1/4	ANSCHLUSS 1/4X1/4
37	WY12153	GUARNIZIONE CU 1/4 17X13.3X1.5	1/4 17X13.3X1.5 COPPER SEAL	JOINT CUIVRE 1/4 17X13.3X1.5	KUPFERDICHTUNG 1/4 17X13.3X1.5
38	WY25686	RACCORDO 1/4X1/4 FLANGIA	CONNECTOR 1/4 X 1/4 FLANGE	RACCORD 1/4 X 1/4 BRIDE	ANSCHLUSS 1/4X1/4 FLANSCH
39	WY18126	DOSATORE FLOWMETER FH 12 909602	FH 12 907613 FLOWMETER DOSER	DOSEUR FLOWMETER FH 12 907613	DOSIERER FLOWMETER FH 12 907613
40	WY52000215	TBS.D-8 L.370 2GR DV 16 SCARICO CALD.	D-8 370 L PIPE DV 16	TUYAU D-8 L.370 DV 1	ROHR D. 8 L.370 DV 1
40	WY52000231	TBS.D-8 L.500 3GR DV 32 SCARICO	D-8 500 L PIPE DV 32	TUYAU D-8 L.500 DV 3	ROHR D. 8 L.500 DV 3
41	WY52000267	TBS.D-8 L.100 DV 68 RUBINETTO DI	D-8 100 L PIPE DV 68	TUYAU D-8 L.100 DV 6	ROHR D. 8 L.100 DV 6
42	WY15502	VASCHETTA SCARICO ROTONDA D 80	ROUND DRAIN BASIN D.80MM	CUVE A VIDANGER RONDE D.80MM	RUNDE ABFLUSSCHALE D.80MM

## *Carico Acqua - Manual Water Refill - Chargement Eau - Wasser-einfullung*

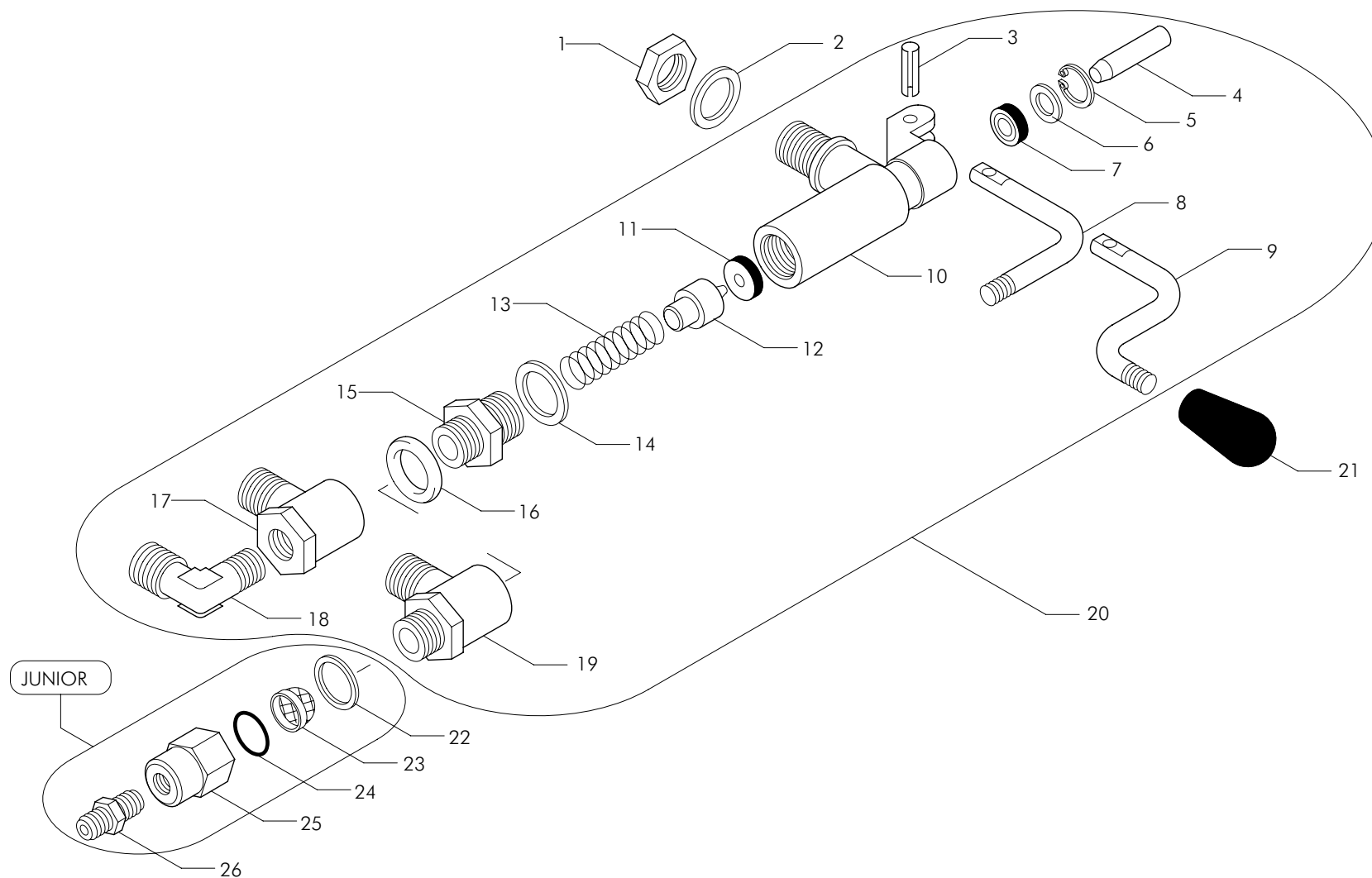
**CMAX-51**

rev.00

Carico acqua - Manual water refill - Chargement eau - Wasser-Einfullung

**COOKMAX**

**CMAX**



Pos	Cod.	Denominazione - IT -	Denomination - GB -	Denomination - FR -	Denomination - DE -
1	WY25356	CONTRODADO OTTONE 3/8	BRASS LOCK NUT 3/8	CONTRE-ECROU LAITON 3/8	MESSING-GEGENMUTTER 3/8
2	WY25651	RONDELLA OTTONE 3/8	BRASS WASHER 3/8	RONDELLE LAITON 3/8	MESSINGSCHEIBE 3/8
3	WY10701	SPINA ELASTICA BRUNITA 5X20	BURNISHED ROLL PIN 5X20	FICHE ELASTIQUE BRUNIE 5X20	BRÜNIERTER ELASTISCHER STECKER 5X20
4	WY25315	ASTINA X POMPA H2O 8X35.6	WATER PUMP SPINDLE 8X35.6	TIGE POMPE EAU 8X35.6	STANGE FÜR WASSERPUMPE 8X35.6
5	WY10002	ANELLO DI ARRESTO INOX J 16 DIN472	STAINLESS CIRCLIP J 16	CIRCLIP INOX J 16	STAHLHALTERING J 16 DIN472
6	WY25653	RONDELLA X ASTINA D.EST. 15.4	SPINDLE WASHER 15.4	RONDELLE POUR TIGE 15.4	SCHEIBE F. STANGE 15.4
7	WY12205	GUARNIZIONE GOMMA GACO DE 056	GACO RUBBER GASKET DE 056	JOINT EN CAOUTCHOUC GACO DE 056	GACO GUMMIDICHTUNG DE 056
8	WY25201	LEVA POMPA FINITA CURVA 8X110	BENT MANUAL FILL LEVER 8X110	LEVIER POMPE EMBOUT COUDE 8X110	KRUMMER PUMPENHEBEL 8X110
9	WY25202	LEVA POMPA ENTRATA H2O AD "S"FINITA	PUMP LEVER WATER REFILL	LEVIER POMPE REMPLISSAGE EAU	PUMPENHEBEL WASSERFULLUNG
10	WY53004	CORPO POMPA	PUMP BODY	CORPS POMPE	PUMPENKORPER
11	WY12203	GUARNIZIONE GOMMA 15X4X4	RUBBER GASKET 15X4X4	JOINT EN CAOUTCHOUC 15X4X4	GUMMIDICHTUNG 15X4X4
12	WY25615	PISTONCINO POMPA H2O	WATER PUMP JUMPER	PISTON POMPE EAU	KOLBEN FÜR WASSERPUMPE
13	WY10451	MOLLA PIST POMPA VALVOLA SC N2 (C)	PUMP-VALVE S.C.PISTON SPRING N2 (C)	RESSORT PISTON POMPE-VALVE S.C.N2 C	PUMPENVENTIL S.C.KOLBENFEDER N2 (C)
14	WY12150	GUARNIZIONE CU POMPA / VALV.ESP.	PUMP COPPER GASKET 25X18.2X2	JOINT CU DE POMPE 25X18.2X2	PUMPENDICHTUNG 25X18.2X2
15	WY25680	RACCORDO POMPA 3/8XM18X1.5	PUMP CONNECTOR 3/8 X M18 X 1.5	RACCORD POMPE 3/8 X M18 X 1.5	PUMPENANSCHLUSS 3/8XM18X1.5
16	WY12101	GUARNIZIONE CU/ALIM 3/8 22X17X3	3/8 22X17X3 FEEDER/COPPER SEAL	JOINT CUIVRE/ALIM 3/8 22X17X3	KUPFERDICHTUNG/SPEIS. 3/8 22X17X3
17	WY43030001	RACCORDO INIETTORE ITALIA 3/8F	3/8FX3/8MX14F INJECTOR FITTING	RACC. INJECTEUR 3/8FX3/8MX14F	ANSCHLUSS EINSPRITZER 3/8FX3/8MX14F
18	WY23202	RACCORDO GOM.D8.2 3/8X1/4 CON	ELBOW BRASS CONNECTOR D8.2 3/8X1/4	RACCORD COUDE LAITON D8.2 3/8X1/4	MESSING-ANSCHLUSS D8.2 3/8X1/4
19	WY43020	DISTANZIALE POMPA	PUMP SPACER	ENTRETOISE POMPE	PUMPENENTFERNUNGSSTÜCK
20	WY61013	ASS.POMPA H2O ER/AL+AEA WE98 (S.P.)	WATER PUMP ASSEMBLY ER/AL+AEA WE98	ENSEMBLE POMPE A EAU ER/AL+AEA WE98	SET WASSERPUMPE ER/AL+AEA WE98
20	WY61015	ASS.POMPA H2O ER+AEA SPH (-POMELLO)	WATER PUMP ASSEMBLY ER+AEA SPH (-KNOB)	ENS. POMPE A EAU ER+AEA SPH (-BOUTON)	SET WASSERPUMPE ER+AEA SPH (-KNAUF)
21	WY15400	POMELLO LEVETTA POMPA I.147/40-M8	MANUAL FILL LEVER KNOB I.147/40-M8	BOUTON LEVIER POMPE I.147/40-M8	KNAUF PUMPENHEBEL I.147/40-M8
22	WY12154	GUARNIZIONE CU 3/8 22X17X1.5	3/8 22X17X1.5 COPPER SEAL	JOINT CUIVRE 3/8 22X17X1.5	KUPFERDICHTUNG 3/8 22X17X1.5
23	WY10254	FILTRO ACCIAIO 160-200 MESH	STEEL FILTER 160-200 MESH	FILTRE EN ACIER 160-200 MESH	STAHLFILTER 160-200 MESH
24	WY12312	GUARNIZIONE OR FILTRO AEA 10X2	O RING FOR WATER REFILL FILTER 10X2	JOINT OR FILTRE AUT.REM.EAU 10X2	OR DICHTUNG FÜR WASSERFULLUNGFILTER
25	WY25744	RIDUZIONE 1/8FX3/8F V.N.R.	REDUCTION 1/8FX3/8F	REDUCTION 1/8FX3/8F	REDUKTION 1/8FX3/8F
26	WY23210	RACCORDO DIRITTO D4 1/8X1/8 CON L.5	STRAIGHT FITTING D4 1/8X1/8 CONICAL	RACC. DROIT D4 1/8X1/8 CONIQUE L.5 11006	GERADER ANSCHLUSS D4 1/8X1/8 MIT L.5 110

*Livello Acqua - Water Level - Niveau Eau - Wasser Niveau*

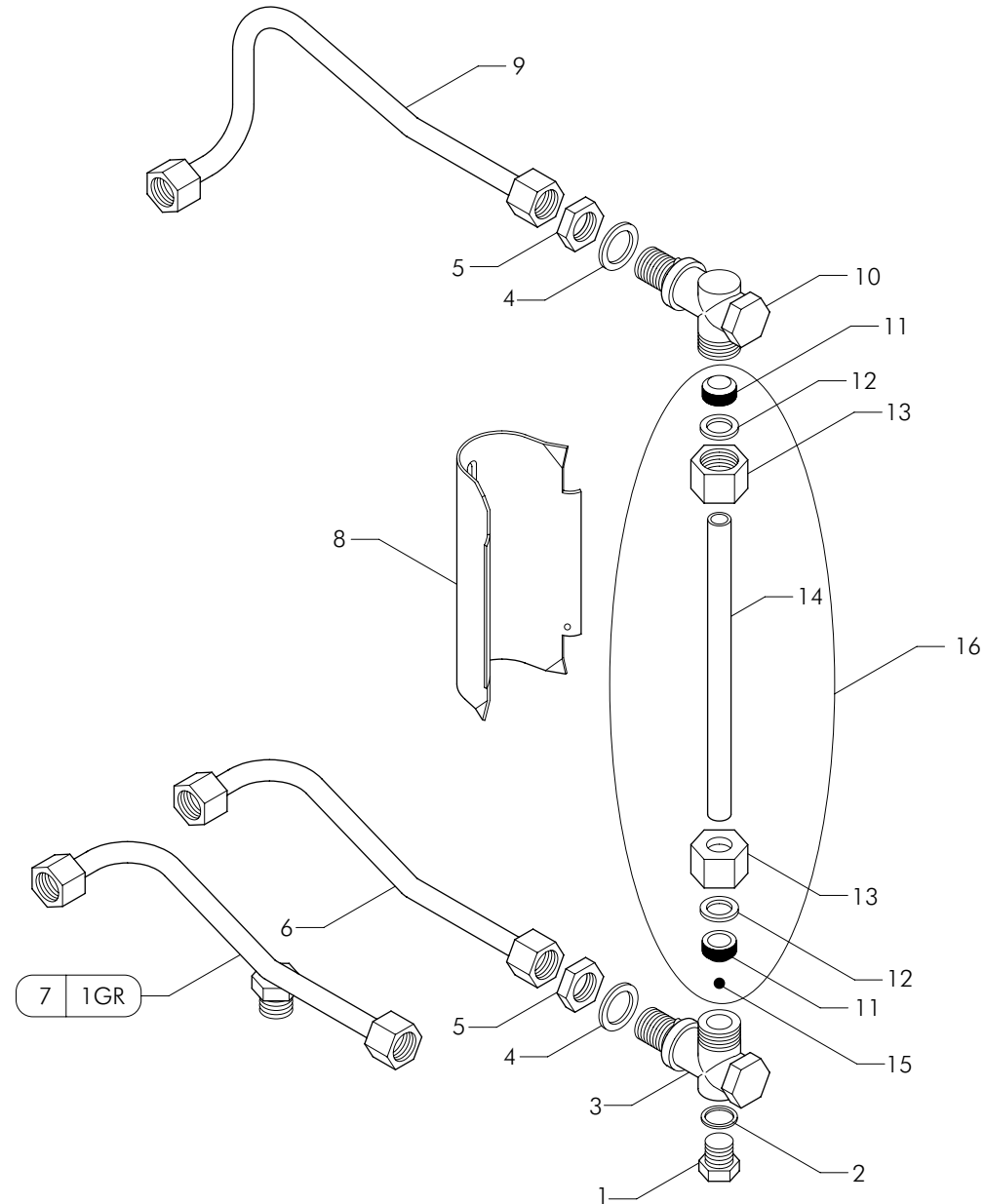
**CMAX-52**

rev.00

Livello acqua - Water level - Niveau eau - Wasser-Niveau

**COOKMAX**

**CMAX**



Pos	Cod.	Denominazione - IT -	Denomination - GB -	Denomination - FR -	Denomination - DE -
1	WY25780	TAPPO MASCHIO OTTONE 1/4	BRASS MALE CAP 1/4	BOUCHON MALE LAITON 1/4	MESSING-STOPFEN 1/4
2	WY12153	GUARNIZIONE CU 1/4 17X13.3X1.5	1/4 17X13.3X1.5 COPPER SEAL	JOINT CUIVRE 1/4 17X13.3X1.5	KUPFERDICHTUNG 1/4 17X13.3X1.5
3	WY53001	CORPO LIVELLO INFERIORE	LOWER LEVEL CONNECTOR	CORPS DE NIVEAU INFERIEUR	UNTERNIVEAUKORPER
4	WY25651	RONDELLA OTTONE 3/8	BRASS WASHER 3/8	RONDELLE LAITON 3/8	MESSINGSCHEIBE 3/8
5	WY25356	CONTRODADO OTTONE 3/8	BRASS LOCK NUT 3/8	CONTRE-ECROU LAITON 3/8	MESSING-GEGENMUTTER 3/8
6	WY52002699	TBS.D-10 L.250 W 1/C CALDAIA	TUBE D-10 L.250 W1/C	TUYAU D-10 L.250 W1/C	ROHR D-10 L.250 W1/C
7	WY52003222	TBS.D-10 L.250 WO 9/A CALDAIA	TUBE D-10 L.250	TUYAU D-10 L.250	ROHR D-10 L.250
8	WY44002	COPRILIVELLO VERNICIATO BIANCO	LEVEL INDICATOR COVER PAINTED WHITE	COUVRE-NIVEAU LAQUE BLANC	NIVEAUDECKEL
9	WY52002698	TBS.D-10 L.300 W 1/B CALDAIA	TUBE D-10 L.300 W1/B	TUYAU D-10 L.300 W1/B	ROHR D-10 L.300 W1/B
10	WY53002	CORPO LIVELLO SUPERIORE	UPPER LEVEL BODY	CORPS DE NIVEAU SUPERIEUR	OBERNIVEAUKORPER
11	WY12200	GUARNIZIONE GOMMA X LIVELLO 16X10X8	SIGHT GLASS RUBBER GASKET 16X10X8	JOINT CAOUTCHOUC DE NIVEAU 16X10X8	GUMMIDICHTUNG FÜR NIVEAU 16X10X8 ABGEKAN
12	WY25652	RONDELLA OTTONE D17.8	BRASS WASHER D.17.8	RONDELLE LAITON D.17.8	MESSING-SCHEIBE D.17.8
13	WY25383	DADO OTTONE M20X1.5	BRASS NUT 20X1.5	ECROU LAITON 20X1.5	MESSING-MUTTER 20X1.5
14	WY21300	TUBO VETRO PIREX LIVELLO 11X8X170	PYREX GLASS LEVEL TUBE 11X8X170	TUBE NIVEAU EN VERRE PYREX 11X8X170	NIVEAU GLASROHR 11X8X170
15	WY15300	PALLINA LIVELLO D7	LEVEL-INDICATING BALL D6.5	FLOTTEUR NIVEAU D'EAU D6.5	KUGEL DES NIVEAUANZEIGER D6.5
16	WY56001	ASSIEME TUBO LIVELLO	LEVEL TUBE UNIT	ENSEMBLE TUBE DE NIVEAU	ROHRSATZ FUR NIVEAU



***Imp. elettrico - Electrical system - Circuit électrique - Strom anlage***

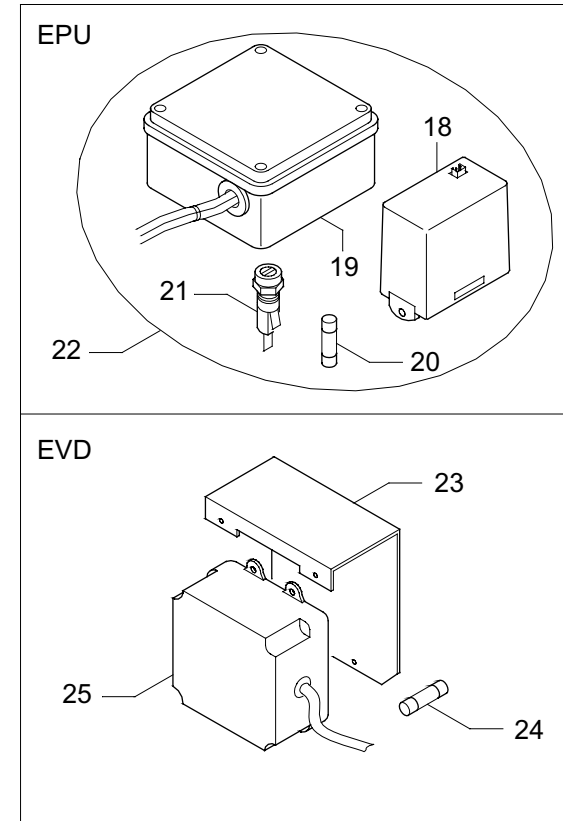
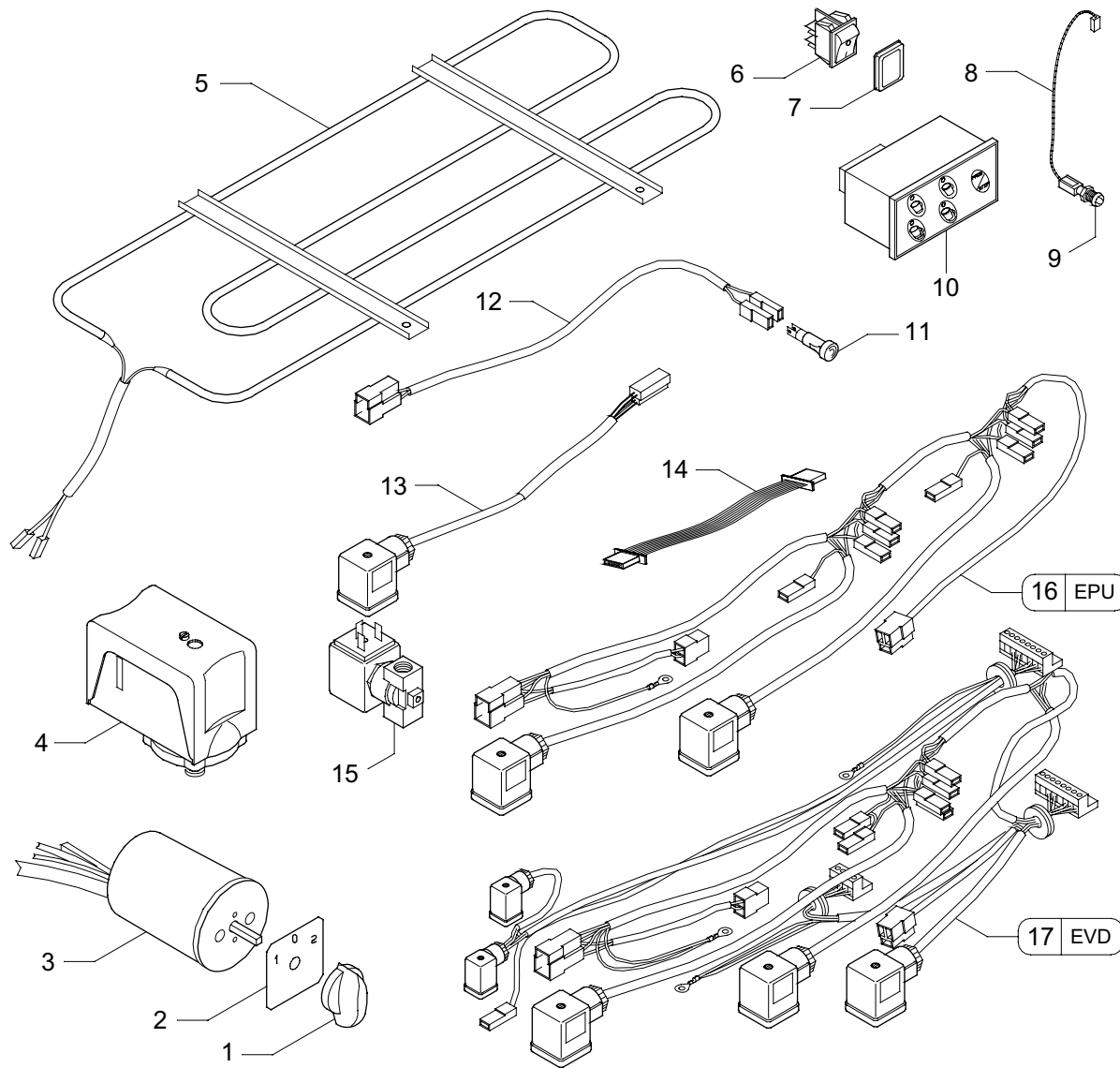
**CMAX-61**

rev.00

**Imp. elettrico - Electrical system - Circuit électrique - Strom anlage**

**COOKMAX**

**CMAX**



Pos	Cod.	Denominazione - IT -	Denomination - GB -	Denomination - FR -	Denomination - DE -
1	WY15271	MANOPOLA INTERR.GENERALE BREMAS	MAIN SWITCH HAND GRIP	MANETTE INTERR. GENERAL	HAUPTSCHALTERGRIFF
2	WY29067	ETICHETTA ADESIVA '1-0-2'NERO	ADHESIVE LABEL '1-0-2' BLACK PLASTI	ETIQ. ADHES. 1-0-2' NOIR PLASTIQUE	KLEBEETIKETTE '1-0-2'SCHWARZ PLAST
2	WY29068	ETICHETTA ADESIVA '0-1'NERO	PLASTIC ADHESIVE PLATE 0-1 58X58	PLAQUETTE ADHESIVE 0-1 58X58	KLEBESCHILD 0-1 58X58
3	WY18103	COMMUTATORE BREMAS A25.2 SCH.0408	COMMUTATOR BREMAS A25.2	COMMUTATEUR BREMAS A25.2	UMSCHALTER BREMAS A25.2
3	WY18104	COMMUTATORE BREMAS A20.12 CS0177412	COMMUTATOR BREMAS A20.12	COMMUTATEUR BREMAS A20.12	UMSCHLATER BREMAS A20.12
3	WY18105	COMMUTATORE BREMAS A32.12 CS0257412	COMMUTATOR BREMAS A32.12	COMMUTATEUR BREMAS A32.12	UMSCHALTER BREMAS A32.12
4	WY20150	PRESSOSTATO SECCO SIRAI P302/6	SIRAI P302/6 DRY PRESSURE SWITCH	PRESSOSTAT SEC SIRAI P302/6	TROCKENDRUCKWÄCHTER SIRAI P302/6
5	WY17020	RESISTENZA 2GR 120V 200W	HEATING ELEMENT 2GR 120V 200W	RESISTANCE 2GR 120V 200W	WIDERSTAND 2GR 120V 200W
5	WY17022	RESISTENZA 2GR 230V 200W	HEATING ELEMENT 2GR 230V 200W	RESISTANCE 2GR 230V 200W	WIDERSTAND 2GR 230V 200W
6	WY18263	INTERRUTTORE BIP. NERO LED LUMIN.	BIP. LUMIN. BLACK SWITCH B438C1100G000	INTER.BIP.LUMIN. NOIR B438C1100G000	ZWEIP.SCHALTER M. SCHWARZ LEUCHE B438C1
7	WY19049	COPERTURA INTERRUTTORE B4	SWITCH COVER B4	PROTECTION INTERRUPTEUR	SCHALTER ABD. B4
8	WY22625	CAVO 1/2GR RL30/TIMEOUT CON LED	1/2 CABLE TIMEOUT UNIT WITH LED	CABLE 1/2 GR. RL30/TIMEOUT LED	KABEL 1/2GR. RL30/TIMEOUT MIT LED
9	WY21024	LED D5 COLORE ROSSO	RED LED D.5	LED ROUGE D.5	ROTES LED D.5
10	WY18371049	PULSANTIERA 5T	TOUCH PAD 5T	CLAVIER A TOUCHES 5T	DRUCKKNOPFTAFEL 5T
11	WY21010	LAMPADA SPIA VERDE 110V CAVI L=645	GREEN WARNING LIGHT 110V 32	LAMPE TEMOIN VERTE 110V	GRUNE KONTROLLAMPE 110V 32
11	WY21011	LAMPADA SPIA VERDE 220V 332247030T	220V 332247030T GREEN INDICATOR LIG	AMPOULE TEMOIN VERT 220V 332247030T	KONTROLLEUCHE GRÜN 220V 332247030T
12	WY227181	CABLAGGIO PROLUNGA LAMPADINA	WIRING FOR LAMP	CABLE PROLONGE LAMPE	VERDRAHTUNG LAMPE
13	WY22858	CABLAGGIO AEA 1-4GR	CABLE A.W.R. 1-4GR	CABLAGE R.E.A. 1-4GR	VERDRAHTUNG A.W.F.1-4GR
14	WY22608	CAVO PULSANTIERA 2C F. CM90 892909	TOUCH PAD CABLE 2C F.CM80 891857	CABLE CLAVIER A TOUCHES 2C F.CM80	KABEL DER DRUCKKNOPFTAFEL 2CF CM80
14	WY22609	CAVO PULSANTIERA 2C F. CM140 891859	TOUCH PAD CABLE 2C F. CM140 891859	CABLE CLAVIER A TOUCHES 2C F. CM140	KABEL DER DRUCKKNOPFTAFEL 2CF CM140
15	WY18162002	ELETTROVALVOLA 230V AEA VDE	SOL.VALVE WATER REFILL 230V PARKER	ELECTROVANNE REA 230V PARKER	ELEKTROVENTIL AWZ 230V PARKER
15	WY18195	ELETTROVALVOLA 120V VE140.2IR VDE/UL	SOLENOID VALVE SCEM 2/2 110V 60HZ	ELECTROVANNE SCEM 2/2 110V 60HZ	MAGNETVENTIL SCEM 2/2 110V 60HZ
16	WY22885	CABLAGGIO EPU/2 TUV/OVE	CABLE EPU/2 TUV/OVE	CABLAGE EPU/2 TUV/OVE	EPU/2 VERDRAHTUNG TUV/OVE
17	WY228006	CABLAGGIO SAE-EVD/2 NEW X PG9	CABLE SAE-EVD/2 NEW X PG9	CABLAGE SAE-EVD/2 NEW X PG9	VERDRAHTUNG SAE-EVD/2 NEW X PG9
18	WY18080001	REGOLATORE LIVELLO RL30/T.O.220/240V	LEVEL CONTROL RL30/T.O.220/240V	CONTROLE NIVEAU RL30/T.O.220/240V	WASSERNIVEAUREGLER RL30/TO 220/240V
19	WY15373100	SCATOLA RL 30	RL 30 BOX	BOITE RL 30	RL 30 BEHALTER
20	WY19101	FUSIBILE 5X20 2A SF520220 OMEGA	FUSE OMEGA 5X20 2A SF520220	FUSIBLE OMEGA 5X20 2A SF520220	SCHMELZSICH.OMEGA 5X20 2A SF520220
21	WY19122	PORTAFUSIBILE P2300 10A 250V OMEGA	FUSE HOLDER P2300 10A 250V OMEGA	PORTE-FUSIBLE P2300 10A 250V OMEGA	SICHERUNGSHALTER P2300 10A 250V OM.
22	WY56302001	ASS.SCATOLA AEA CENT/CABL 230V	AEA BOX UNIT 230V	ENSEMBLE BOITE AEA 230V	AEA BEHALTER BAUGRUPPE 230V
22	WY56302002	ASS.SCATOLA AEA CENT/CABL 120V	AEA BOX UNIT 120V	ENSEMBLE BOITE AEA 120V	AEA BEHALTER 120V
23	WY78152002	SUPP.CENTRALINA RL3 TELAIO START	GEARCASE BEARING JUN - FRAME ARG.	SUPPORT CENTRALE JUN-CHASSIS ARG.	STEUERUNG HALTER JUN-RAHMEN ARG.
24	WY19104	FUSIBILE OMEGA 5X20 T-10A	FUSE OMEGA 5X20 T-10A	FUSIBLE OMEGA 5X20 T-10A	SCHMELZSICHERUNG OMEGA 5X20 T-10A
25	WY18090030	CENTRALINA 1-3GR 120V RL3	CONTROL UNIT 1-3GR 120V RL3	CENTR. 1-3GR 120V RL3	EINHEIT 1-3GR 120V RL3
25	WY18090031	CENTRALINA 1-3GR 230V RL3	CONTROL UNIT 1-3GR 230V RL3	CENTR. 1-3GR. 230V RL3	EINHEIT 1-3GR 230V RL3

*Motopompe - Motor pumps - Motopompes - Motor pumpen*

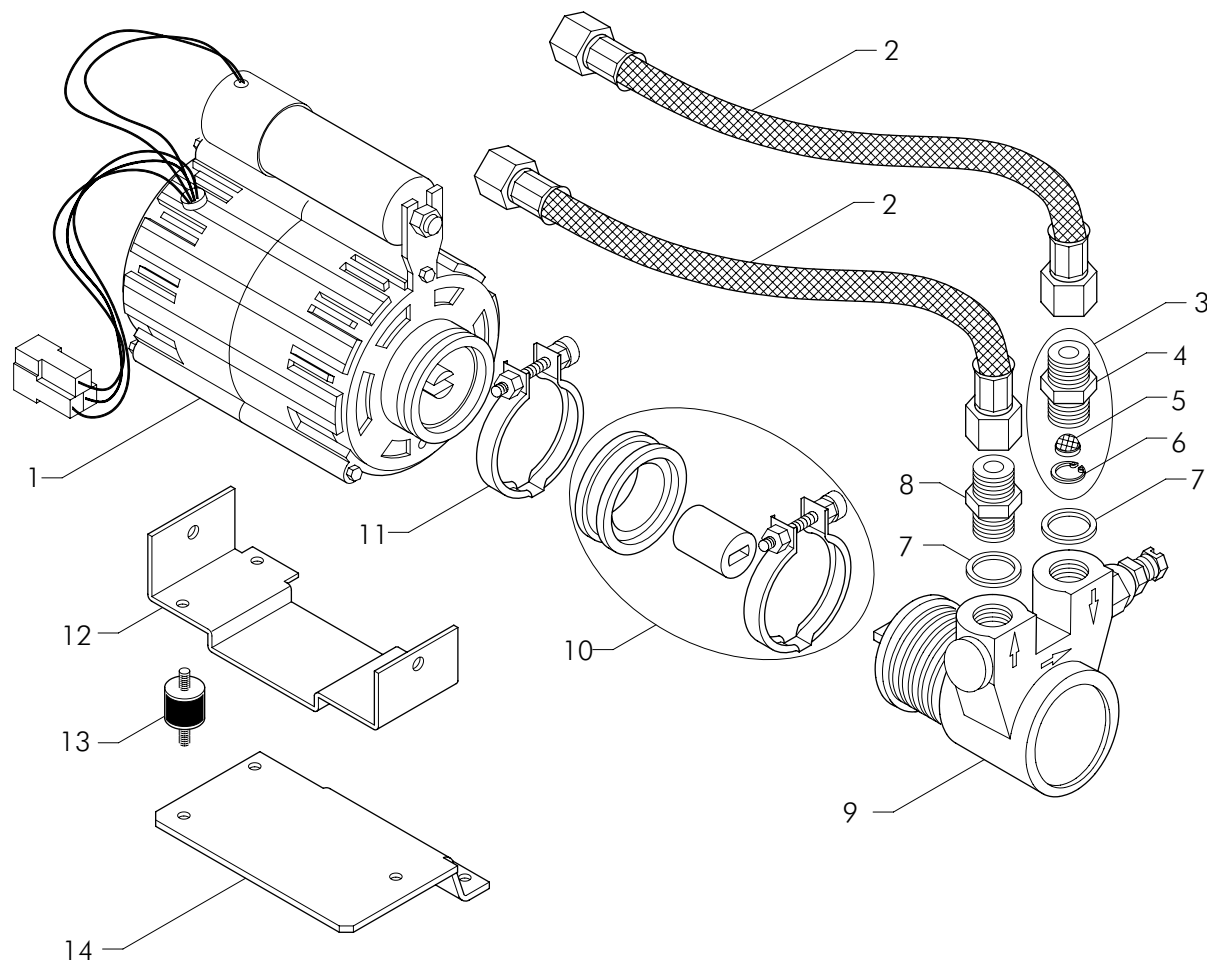
**CMAX-71**

rev.00

Motopompe - Motor pumps - Motopompes - Motor pumpen

**COOKMAX**

**CMAX**



Pos	Cod.	Denominazione - IT -	Denomination - GB -	Denomination - FR -	Denomination - DE -
1	WY18303	MOTORE R.P.M. 230V 120W	MOTOR R.P.M. 230V 120W	MOTEUR R.P.M. 230V 120W	MOTOR R.P.M. 230V 120W
1	WY18304	MOTORE R.P.M. 110V 120W	MOTOR R.P.M. 110V 120W	MOTEUR R.P.M. 110V 120W	MOTOR R.P.M. 110V 120W
2	WY30403	TUBOFLEX 3/8FF P.GOMMA CON. L33 NI	3/8 FEMALE L33 FLEX PIPE CONICAL HOSE	TUYAU FLEX 3/8 FF L33 PORTE-TUYAU	SCHLAUCH 3/8 AUFNAHMETÜR L33 GUMMI KONI
2	WY30404	TUBOFLEX 3/8FF P.GOMMA CON. L45 NI	3/8 FEMALE L45 FLEX PIPE CONICAL HOSE	TUYAU FLEX 3/8 FF L45 PORTE-TUYAU	SCHLAUCH 3/8 AUFNAHMETÜR L45 GUMMI KONI
3	WY56116	RACCORDO 3/8+3/8 MOTOPOMPA ASSIEME	CONNECTOR 3/8+3/8 PUMP ASSEMBLY	RACCORD 3/8 + 3/8 ENS. MOTOPOMPE	ANSCHLUSS 3/8 + 3/8 MOTORP. ZUSAMMEN
4	WY25732	RACCORDO 3/8X3/8 + SEDE FILTRO	3/8X3/8 FITTING + FILTER HOUSING	RACCORD 3/8X3/8 + LOG. FILTRE	ANSCHLUSS 3/8X3/8 + FILTERSITZ
5	WY10254	FILTRO ACCIAIO 160-200 MESH	STEEL FILTER 160-200 MESH	FILTRE EN ACIER 160-200 MESH	STAHLFILTER 160-200 MESH
6	WY10005	ANELLO DI ARRESTO INOX DIN472 D11	DIN472 D11 STAINLESS STEEL STOP RING	ANNEAU DE BUTEE INOX DIN472 D11	DRAHTSPRENGRING ROSTFREI DIN472 D11
7	WY12154	GUARNIZIONE CU 3/8 22X17X1.5	3/8 22X17X1.5 COPPER SEAL	JOINT CUIVRE 3/8 22X17X1.5	KUPFERDICHTUNG 3/8 22X17X1.5
8	WY25687	RACCORDO 3/8X3/8 GAS	3/8X3/8 GAS FITTING	RACCORD 3/8X3/8 GAZ	ANSCHLUSS 3/8X3/8 GAS
9	WY26303001	POMPA FLUID-O-TECH PO 104 NFS 3/8G	PUMP FLUID-O-TECH PO 104 NSF 3/8G	POMPE FLUID-O-TECH PO104 NFS 3/8G	PUMPE FLUID-O-TECH PO 104 NFS 3/8G
10	WY26310002	KIT DISACCOPPIAMENTO MOTORE-POMPA	KIT COUPLING MOTOR-PUMP	KIT ACCOUPLEMENT MOTEUR-POMPE	KIT MOTOR-PUMPE KUPPLUNG
11	WY26310003	FASCETTA GIUNZIONE MOTORE-POMPA	CLAMP MOTOR-PUMP	BANDE MOTEUR-POMPE	SHELLE MOTOR-PUMPE
12	WY78174	SUPPORTO MOTORE INCORPORATO R.P.M.	MOTOR BEAR. RPM	SUPPORT MOT. RPM	EINGEBAUTER MOTORHALTER RPM
13	WY15105	GOMMA AMMORTIZZATORE X MOTORE RAF.H20	RUBBER FOR WATER COOLED MOTOR ZEC.	CAOUTCHOUC POUR MOTEUR REFROID.EAU	GUMMI X WASSERGEKÜHLTER MOTOR ZEC.
14	WY78174000	SUPP.MOTORE RPM 120W TELAIO	MOTOR BEAR. RPM	SUPPORT MOT. RPM	EINGEBAUTER MOTORHALTER RPM

*Accessori - Accessories - Accessoires - Zubehor*

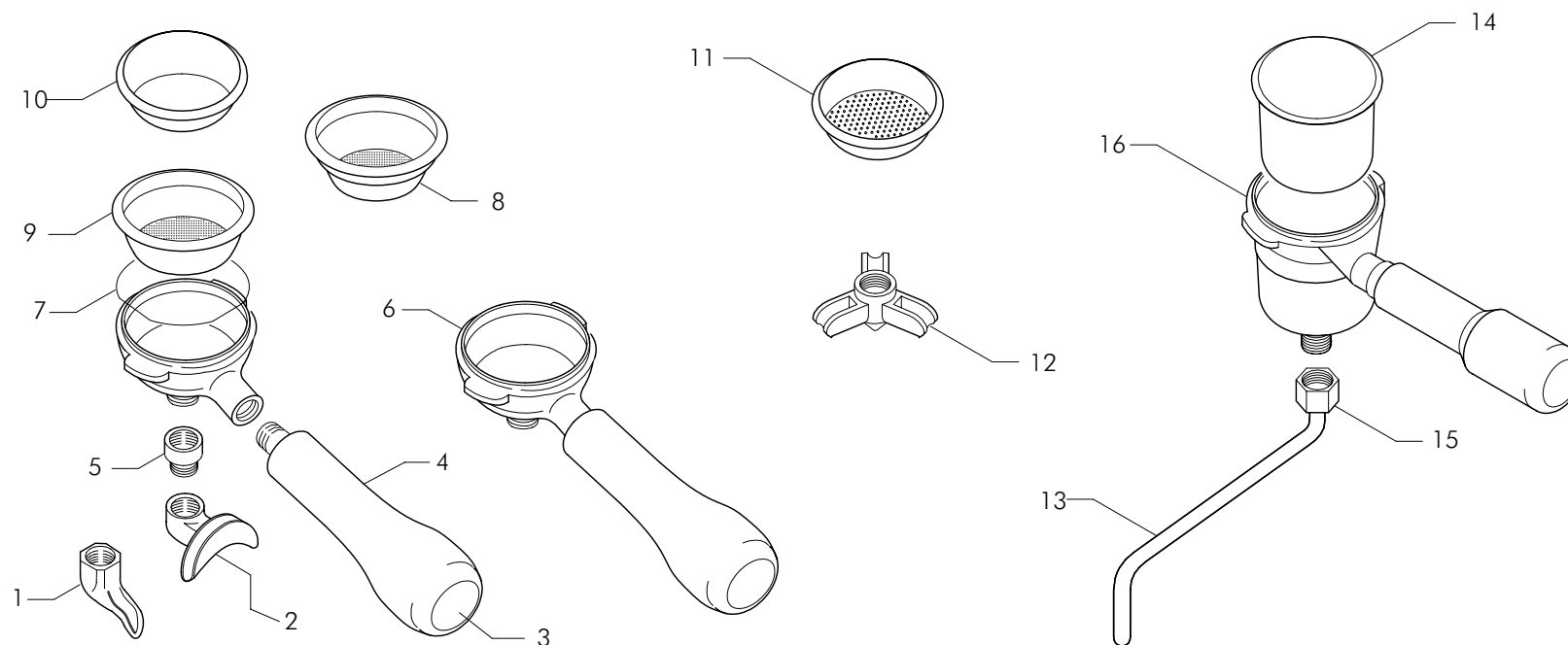
**CMAX-91**

rev.00

FILTRI - FILTERS - FILTRE - FILTER

**COOKMAX**

**CMAX**





**FILTRI - FILTERS - FILTRE - FILTER**

Pos	Cod.	Denominazione - IT -	Denomination - GB -	Denomination - FR -	Denomination - DE -
1	WY27032001	BECCUCCIO OTT/NI 1 TAZZA	BRASS SPOUT/NI 1 LONG CUP	BEC LAITON/NICKELE 1 TASSE LONG	AUSGUSS MESSING/NICKEL 1 TASSE LANG
2	WY27042001	BECCUCCIO OTT/NI 2 TAZZE	2 CUPS BRASS/NICKEL SPOUT	BEC 2 TASSES LAITON/NICKEL	MESSING/NICK. SCHNABEL FÜR 2 TASSEN
3	WY15486006	TAPPO MANOPOLA PORTAFILTRO CROMATO	CAP FILTER HOLDER KNOB	BOUCHON POIGNEE PORTE-FILTRE	GRIFFVERSCHLUSS FILTERHALTER
4	WY15263010	MANOPOLA PORTAFILTRO NERA+INSERTO M12	FILTER HOLDER KNOB	POIGNEE PORTE-FILTRE	FILTERHALTER GRIFF
5	WY27060201	PROLUNGA BECCUCCIO 1/2 TAZZE	EXTENSION	PROLONGE	VERLANGERUNG
6	WY27311010	PORTAFILTRO LAV.+ CROM.+MANOPOLA	FILTER HOLDER	PORTE-FILTRE	FILTERGRIFF
7	WY27255	MOLLA FERMAFILTRO D-1,2	FILTER HOLDER SPRING	RESSORT FERME-FILTRE	FEDER FÜR FILTERHALTER
8	WY27142	FILTRO INOX 1 TAZZA E/61 + CANALINO	E/61 1 CUP STAINLESS STEEL FILTER+DUCT	FILTRE INOX 1 TASSE E/61 + RIGOLE	EDELSTAHL-FILTER 1 TASSE E/61 +FUE
9	WY27171	FILTRO INOX 2 TAZZE E/61 + CANALINO	E/61 2 CUP STAINLESS STEEL FILTER + DUCT	FILTRE INOX 2 TASSES E/61 + RIGOLE	EDELSTAHL-FILTER 2 TASSEN E/61 +
10	WY27173	FILTRO INOX 2 TAZZE CIECO	2 CUP STAINLESS STEEL BLIND FILTER	FILTRE INOX 2 TASSES AVEUGLE	ROSTFREIER FILTER 2 TASSEN ÖFFNUNG
11	WY27190	FILTRO INOX 3 TAZZE 304/28	3 CUP STAINLESS STEEL FILTER 304/28	FILTRE INOX 3 TASSES 304/28	ROSTFREIER FILTER 3 TASSEN 304/28
12	WY27050	BECCUCCIO OTT/NI 3 TAZZE CORTO	BRASS SPOUT/NI 3 SHORT CUPS	BEC LAITON/NICKELE 3 TASSES COU	AUSGUSS OTT/NI 3 TASSEN KURZ
13	WY52000155	TUB.D-10 L.215 FG 1 CANNETTA CROMATA	TUBE D-10 L.215	TUYAU D-10 L.215	ROHR D-10 L.215
14	WY27195	FILTRO INOX 1 TRONCONE H52MM GIG	1 LARGER SIZED STAINLESS STEEL FILT	FILTRE INOX 1 ELEMENT H52MM GIG	FILTER ROSTFREI STÄRKER H52MM GIG
15	WY25387	DADO 3/8 FORO 12.5	3/8 NUT 12.5 HOLE	ECROU 3/8 TROU 12.5	MUTTER3/8 LOCH 12.5
16	WY61011	PORTAFILTRO GIGANTE +TUB.D8+DADO	GIANT FILTER SUPPORT	PORTE-FILTRE GEANT	GROSSER FILTERTAGER