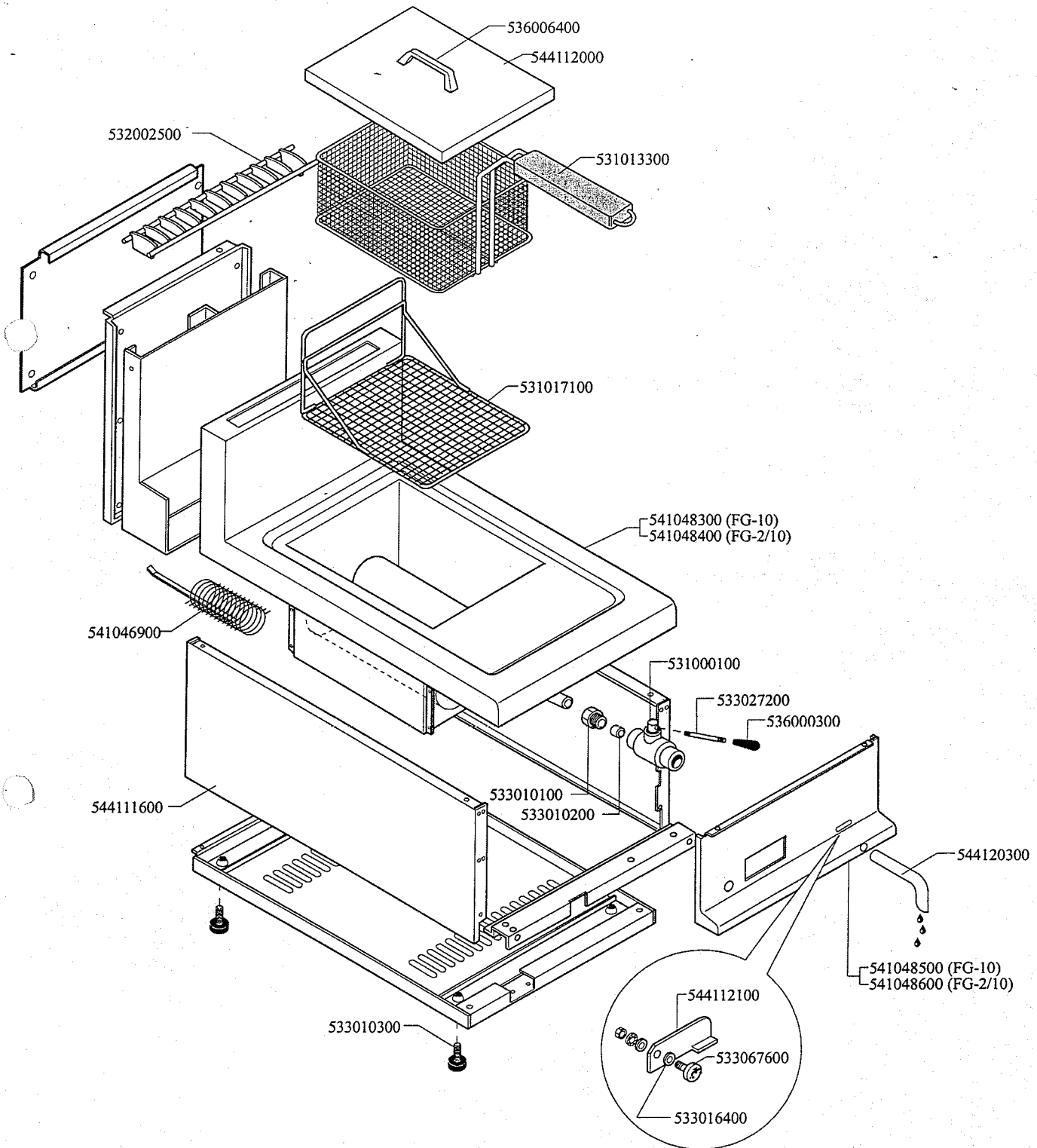
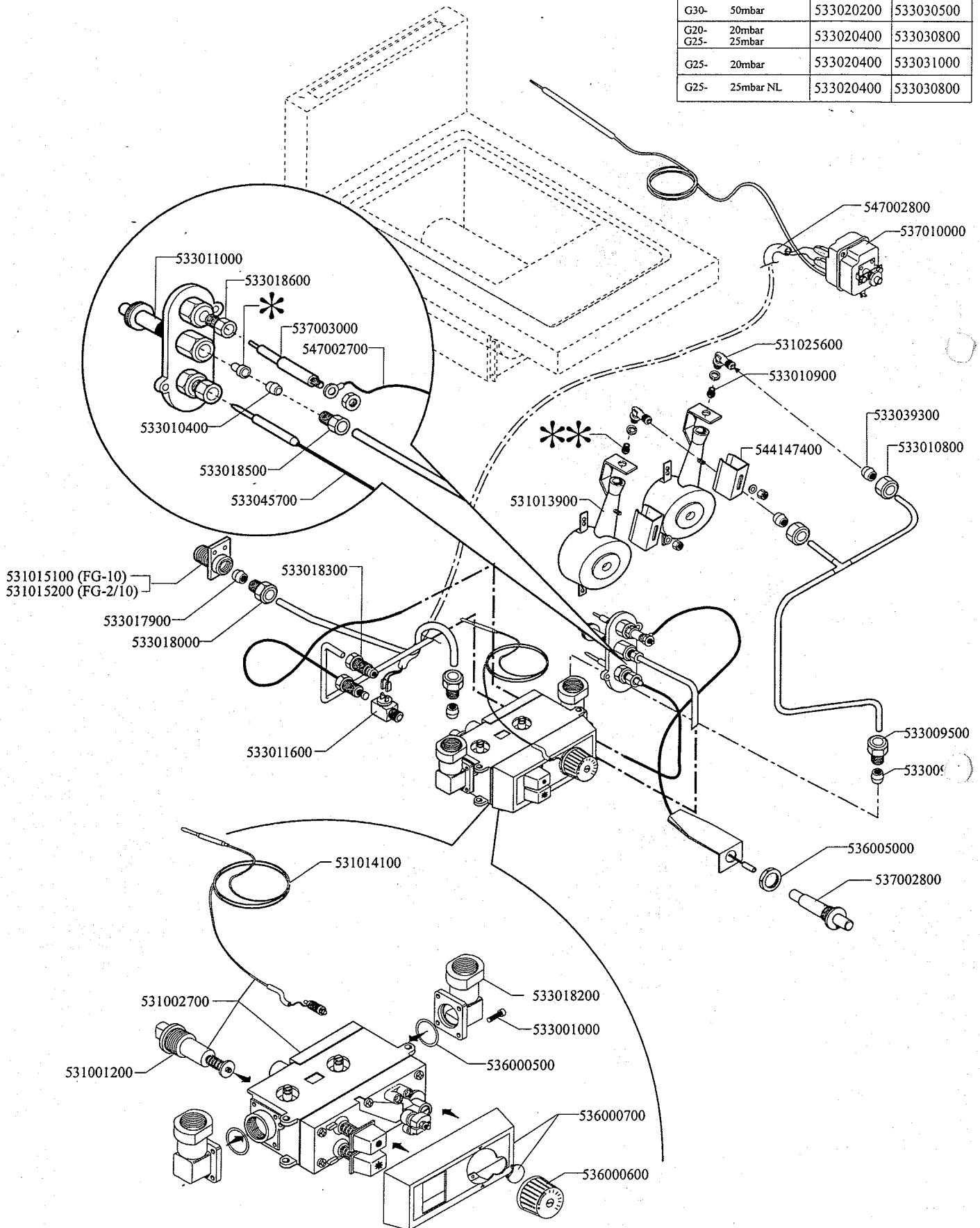


FG-10 FG-2/10



FG-10 FG-2/10

	*	**
G30- 28+30mbar G31- 37mbar	533020200	533030400
G30- 50mbar	533020200	533030500
G20- 20mbar G25- 25mbar	533020400	533030800
G25- 20mbar	533020400	533031000
G25- 25mbar NL	533020400	533030800



Page	Pos	Code	Description
001		544112000	TANK LID FG-10-2/10
001		536006400	BLACK HANDLE 65/FE/FG
001		541048500	CONTROL PANEL NEW FG-10
001		532002500	GRID FOR PIPE 400 FMG
001		531013300	FRYER BASKET 10LTS.GAS/70EL.
001		531017100	TANK FILTER/BASKET SUPPORT FG-10
001		541048300	UPPER PLATE NEW FG-10
001		531000100	DRAIN COCK 3/4"
001		533027200	HANDLE FOR DRAIN COCK 3/4"G FG
001		536000300	FIXED GRIP D.15*25*M6
001		533010100	3/4 D. 18 PIPE UNION
001		533010200	BICONE 18S
001		544120300	DRAIN PIPE 22 FOR COCK 3/4"G
001		544112100	COCK FIXING BRACKET FG-10
001		533067600	PIN FOR GRADUATED COCK BUSHING
001		533016400	COCK BUSHING
001		533010300	ADJUSTABLE FOOT M10*20 D.23
001		544111600	SIDE PANEL 700
001		541046900	HEAT ACCUMULATOR FMG-10-2/10
002		533020200	PILOT JETS 0160 FOR LPG §30
002		533020400	NOZZLE 0160 (NATURAL GAS) 51
002		533030400	NOZZLE §105 CH12X14 G-FG/CW
002		533030500	NOZZLE §90 CH12X14 G30/CE
002		533030800	NOZZLE §155 CH12X14 M-CW
002		533031000	NOZZLE §175 CH12X14
002		537010000	SAFETY THERMOSTAT 220°C SINGLEPHASE
002		531025600	ELBOW 90° NOZZLE-HOLDER §10 PIPE
002		533010900	NUT M14*1 H.4
002		533039300	BICONE §10
002		533010800	TUBE NUT D.10 M16*1,5
002		544147400	AIR ADJUSTMENT BUSHING FMG-FQ
002		531013900	BURNER FMG-10/15
002		533011000	PILOT BURNER 3 FLAMES 320
002		533018600	PLUG FITTING
002		537003000	PLUG M4 - LONG ELECTRODE
002		547002700	HIGH-VOLTAGE CABLE L=500
002		533010400	BICONE D.6
002		533045700	THERMOCOUPLE M9*1 500
002		533018500	FITTING FOR BICONE D.6 M10*1
002		533018300	FITTING WITH BICONE 6 M10*1
002		533017900	BICONE D.12
002		533018000	ELBOW FOR BICONE D.12 3/8 RS L20
002		531015100	FITTING 1/2"G - 3/8" G
002		533009500	NIPPLE FOR BICONE 10S
002		533009400	BICONE 10S
002		536005000	NUT M18 FOR PIEZOELECTRIC IGNITION
002		537002800	PIEZOELECTRIC IGNITION M18
002		531014100	VALVE CAPILLARY PROBE FOR FG §6
002		533018200	ELBOW OR GJ 3/8
002		533001000	SCREW TCB C/CC M4X16
002		536000500	O-RING FOR MINISIT FITTING

Page	Pos	Code	Description
002		536000700	PLASTIC COVER FOR MINISIT + SCREW
002		536000600	BLACK LHD KNOB OP. FOR MINISIT
002		531002700	MINISIT VALVE 100-190°C FQ/FG
002		531001200	MAGNET AC/2-MINISIT
002		547002800	SAFETY CABLE FOR GAS FRYER
002		533011600	THERMOCOUPLE CUT-OFF M9*1-F9*1