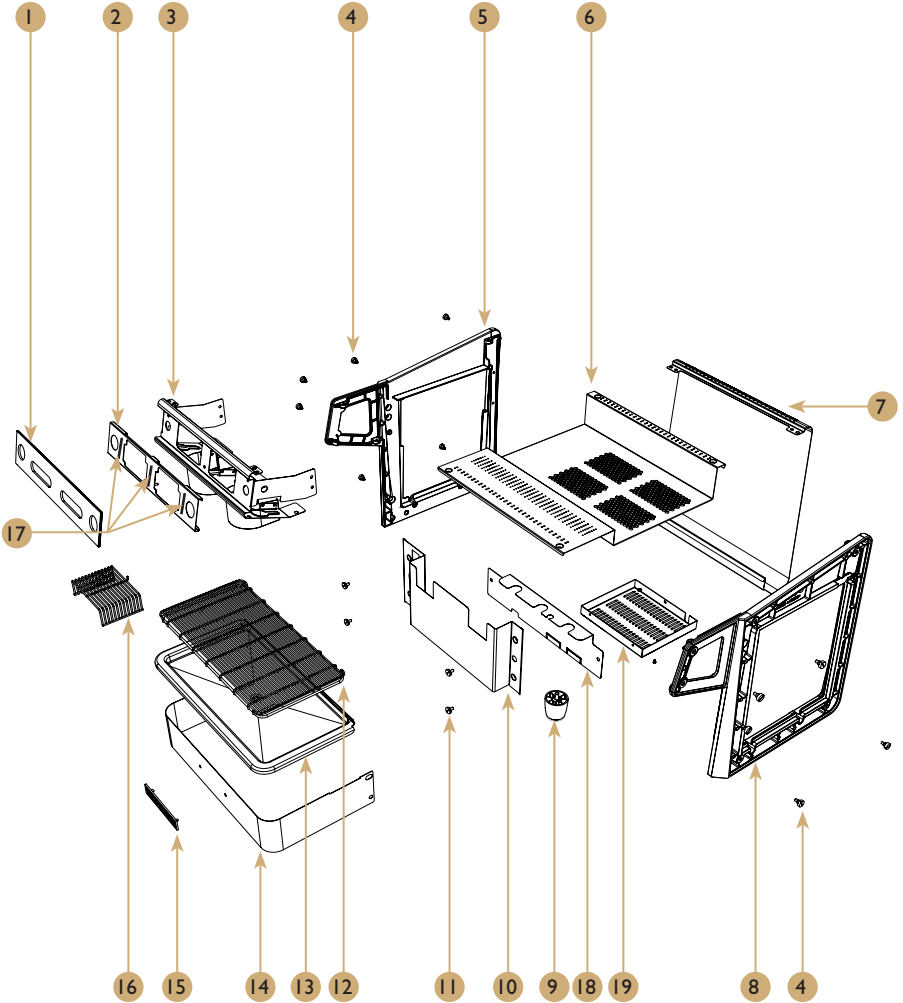


ONYX MINI & MINI+

Drawing



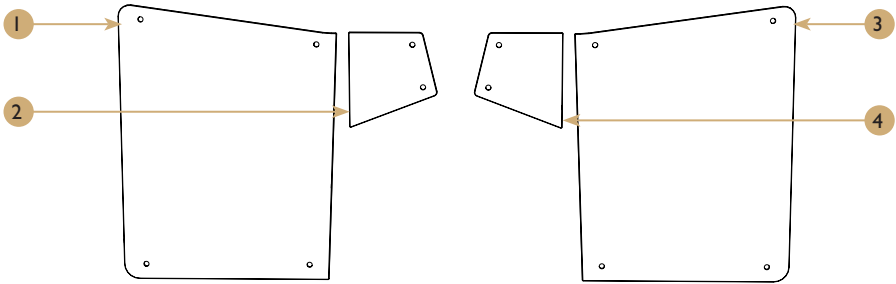
## ONYX MINI &amp; MINI+

## Spare Parts List

POS.	Part No.	Description
1	1264495	Glass Panel Top Front
2	262019	Hook Panel
3	2760413	Top Front Assy Mini 2GR
4	1461148	Styling Screw M5 with Step (includes O-ring PN 1264364)
5	1361763	Side Panel Frame Left
6	262016	Top Cup Tray
7	262017	Central Panel Rear
8	1361762	Side Panel Frame Right
9	70000045	Leg D-50
10a	262018	Front Panel Standard
10b	262062	Front Panel Take Away
11	1461149	Styling Screw M5 with Chamfer
12	20000201	Grill
13	20000145	Drip Tray
14a	12031070BK	Lower Trim Standard
14b	19200202BK	Lower Trim Take Away
15	1760069	EXPOBAR Logo
16	20000240	Cup Grill (Take Away version only)
17	1965028	Tape 3M
18	200100279	Lower front protection
19	20010065	Lower box

## ONYX MINI, MINI+, 2Gr &amp; 3Gr

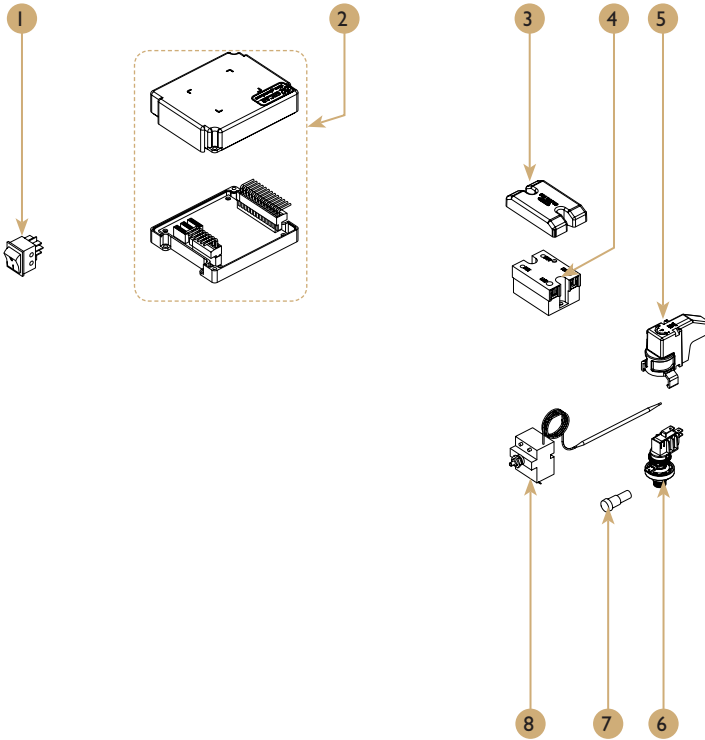
## Drawing &amp; Spare Parts List



POS.	Part No.	Description
1A	1264553	Glass Panel Big Left Side Black
1B	1264496	Glass Panel Big Side Transparent (for Custom Branding)
2A	1264557	Glass Panel Small Left Side Black
2B	1264498	Glass Panel Small Side Transparent (for Custom Branding)
3A	1264552	Glass Panel Big Right Side Black
3B	1264496	Glass Panel Big Side Transparent (for Custom Branding)
4A	1264556	Glass Panel Small Right Side Black
4B	1264498	Glass Panel Small Side Transparent (for Custom Branding)

ONYX MINI & MINI+

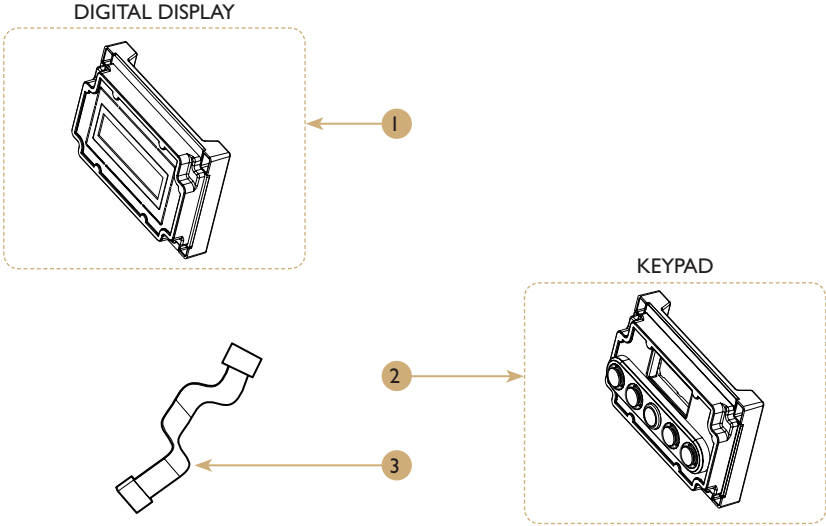
Drawing & Spare Parts List



POS.	Part No.	Description
1	60900035	Switch Black
2	60100410	Control Board 3D5 XLC
3	60800103	Relay Protection Cover
4	60800100	Static Relay
5	1264357	Cap for Pressure Switch
6	60000008	Pressostat
7	60901001	Pilot Light
8	10200141	Thermal Cut-Out 1 Pole With Bulb

ONYX MINI, MINI+, 2Gr & 3Gr

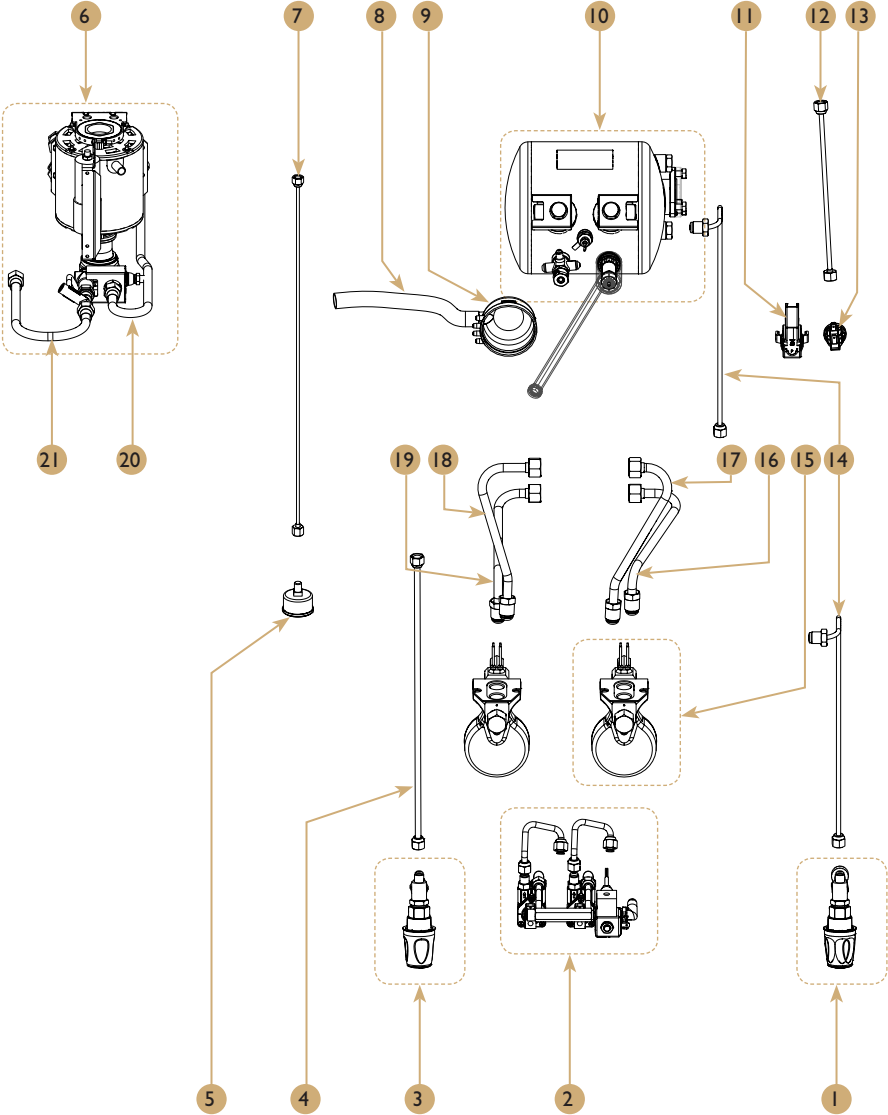
Drawing & Spare Parts List



POS.	Part No.	Description
1	2760336	Digital Display (for 2GR and 3GR only)
2	2760334	Keypad Assembly
3a	60100038	L.600mm Touch Pad Cable
3b	60100039	L.800mm Touch Pad Cable
3c	60100036	L.1100mm Touch Pad Cable

ONYX MINI & MINI+

Drawing



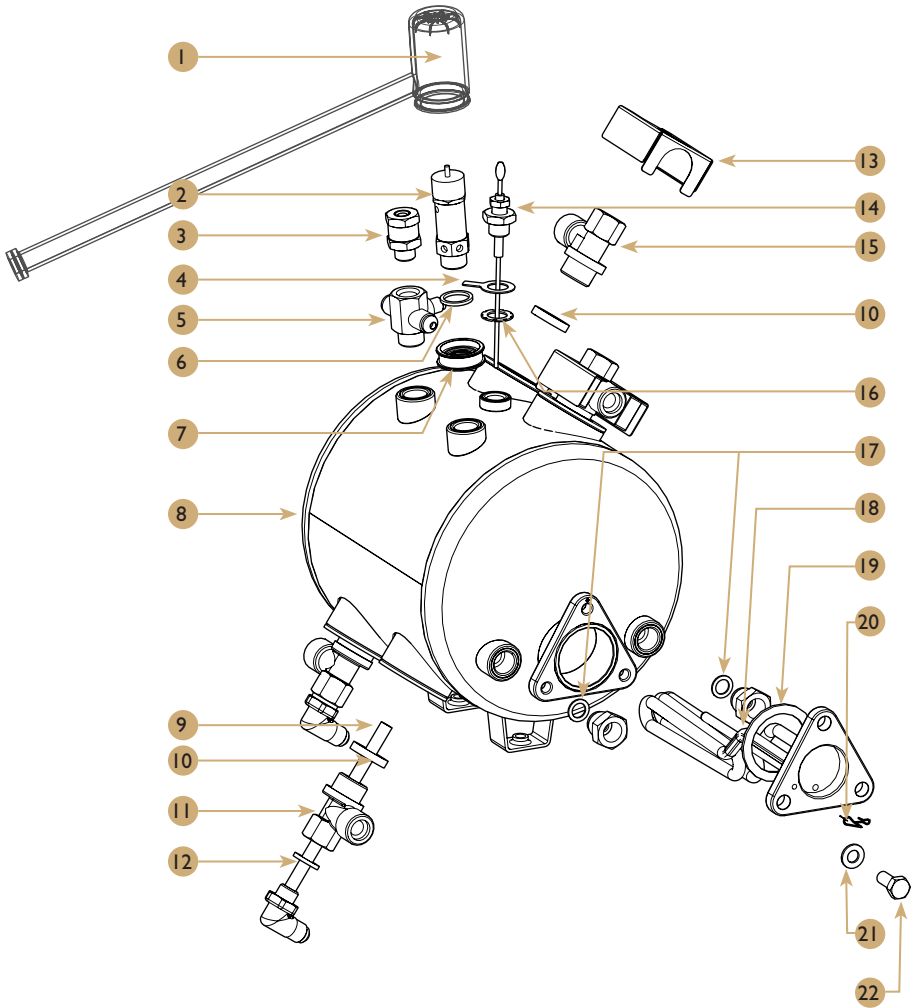
## ONYX MINI &amp; MINI+

## Spare Parts List

POS.	Part No.	Description
1	see separate drawing	Hot Water Tap
2	see separate drawing	Manifold
3	see separate drawing	Steam Tap
4	350110113	Steam Pipe
5	60000062	Manometer
6	see separate drawing	Pump
7	35110530	Manometer Pipe
8	35900010	Waste Tube 1.5M
9	70001000	Drain Cup
10	see separate drawing	Boiler
11	1264357	Cap for Pressure Switch
12	35040106	Pressostat Pipe
13	60000008	Pressostat
14	35040118	Hot Water Pipe
15	see separate drawing	Group
16	35040105	Pipe Group Right Return
17	35110003	Group Left Inlet
18	35110002	Pipe Group Right Inlet
19	35040006	Pipe Pressure Sensor
20	35900180	Flexible Hose 180cm
21	35900040	Flexible Hose 30cm

ONYX MINI & MINI+

Drawing



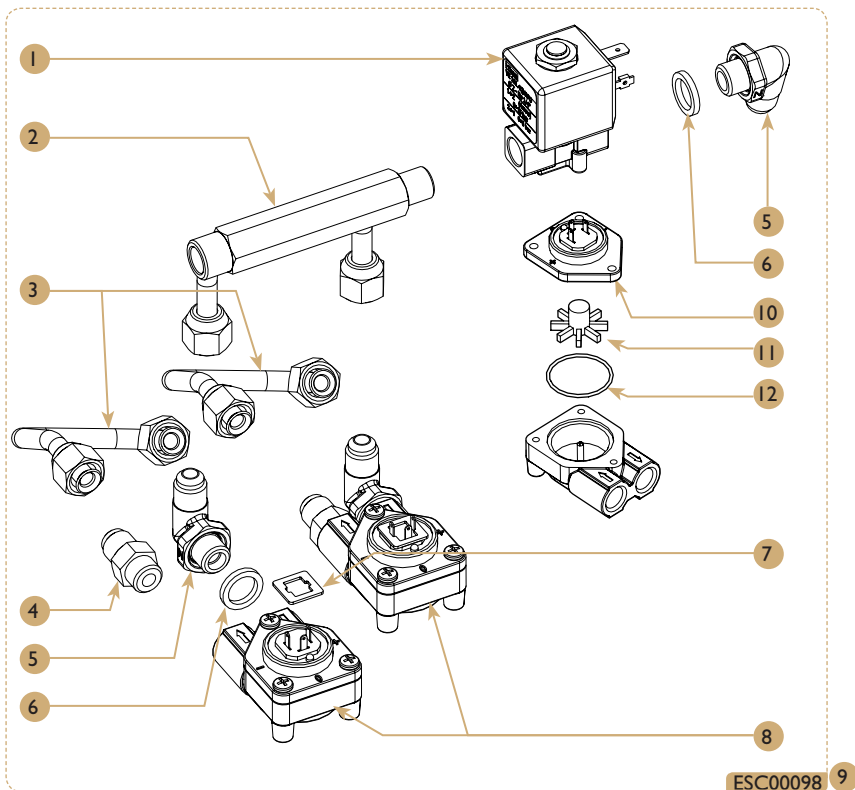
## ONYX MINI &amp; MINI+

## Spare Parts List

POS.	Part No.	Description
1	1560003	Safety Valve Protector
2	65000110	Safety Valve
3	65000200	Non-suction Valve
4	25000003	Ground Washer
5	30000110	3 Track Adapter 1/4 * 1/4 * 1/8
6	50010080	Gasket Tap Steam/Water Teflon
7	1364084	Safety valve hold washer
8	15100016	Boiler Tank 6L
9	30000220	Thermics Adaptor-1/2X1/2X1/4
10	50010010	21.1*25.7* 1/2 Teflon Gasket
11	30000210	Conical Bend Adaptor 1/4 X 1/4
12	50010020	13.2*18.2*2.5 1/4 Teflon Gasket
13	ESC00100	Magnets Set
14	60100040	Water Level Probe 1/4
15	30000200	Thermics Stainless Adaptor 1/2 X 1/2
16	25679812	M12 Washer
17	50010050	3/8 Boiler Connector Teflon Gasket
18	38025001F	Element 2500W 230V with Fuse
19	50010030	40*52*2 Element Teflon Gasket
20	1364062	Clip EGO
21	25012530	Flat Washer M-8 DIN-125
22	25093320	Hexagonal Head Screw 8x20 DIN 933

ONYX MINI & MINI+

Drawing & Spare Parts List

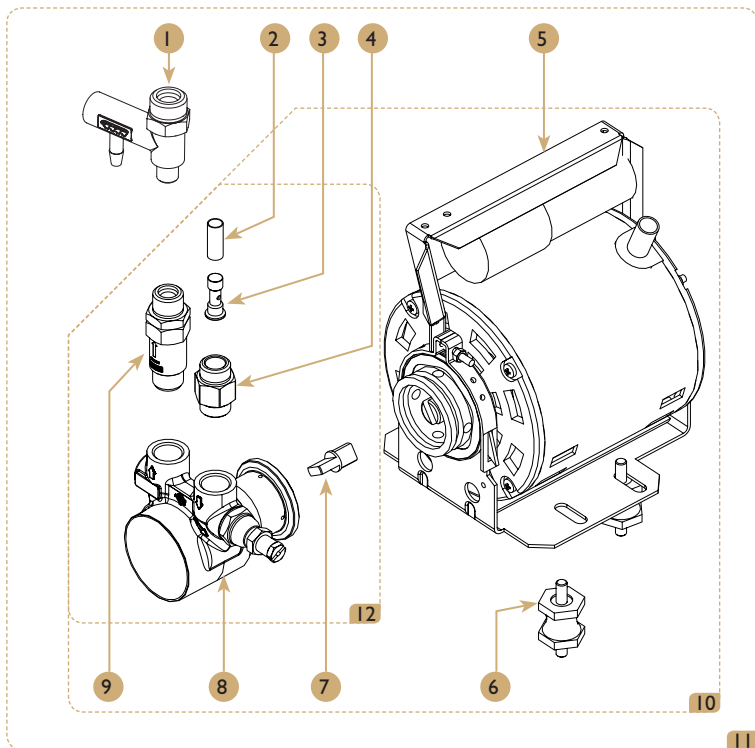


ESC00098 9

POS.	Part No.	Description
1	60000100	1/4 x 1/4 Electrovalve
2	35040101	Mini Brass Tube
3	35040102	Manifold Tube 4 Litre
4	30000510	Conical Adaptor 1/4 X 1/4
5	30000215	Conical Bend Adaptor 1/4 X 1/4
6	50010020	13.2*18.2*2.5 1/4 Teflon Gasket
7	45000001	Flowmeter Gasket
8	60100045	Flowmeter
9	ESC00098	PIPING MINI CONTROL 2 STD&TA
10	60102020	O-ring Flowmeter
11	60102010	FRONTAL BOTONERA ELEN
12	60102040	Flow Meter Lid

## All versions

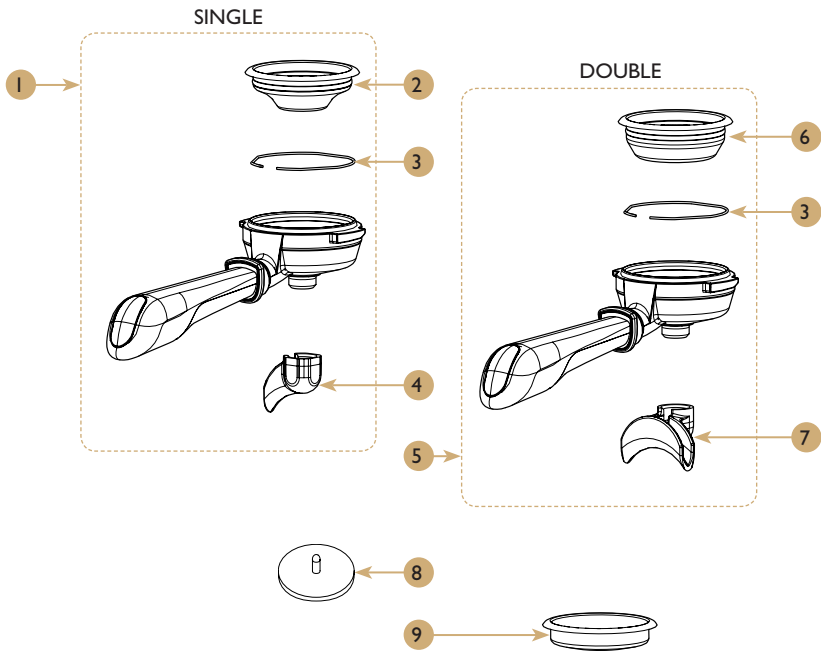
## Drawing



POS.	Part No.	Description
1	30400055	Pump Bypass Condor (for MINI and MINI+ only)
2	30100100	Inlet Water Filter Holder
3	70000009	Tubular Group Filter
4	30000240	Pump Adaptor 3/8 X 3/8
5	60000016	Motor 230V/50HZ
6	50100000	Silent Block
7	30000019	Cardan Joint
8	60000030	Pump Head
9	65000010	Retention Valve 3/8*1/8 (Min-Mon-Ec)
10	ESC00010	Pump complete
11	ESC000EC0	Pump complete / Bypass
12	ESC00015	Pump Head Complete

All versions

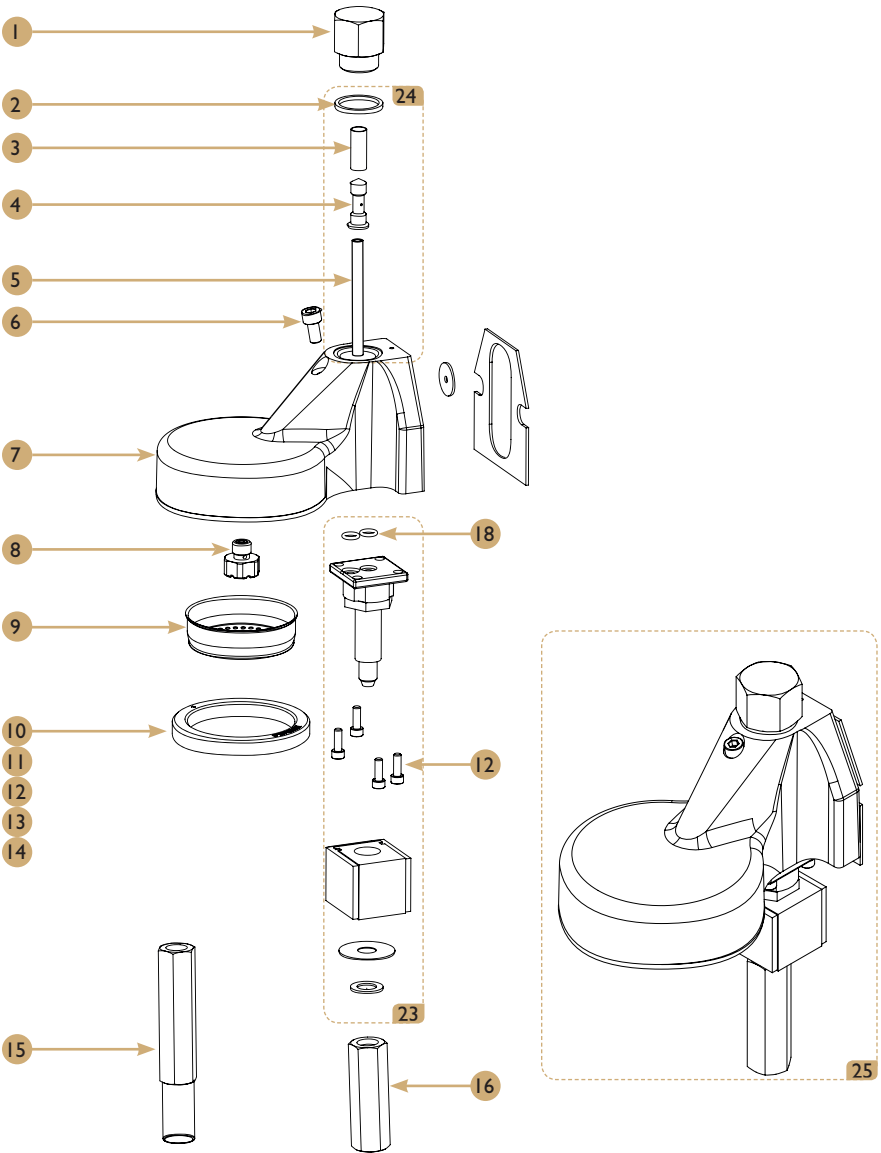
Drawing & Spare Parts List



POS.	Part No.	Description
1a	75001510	Filter Handle Assy 1 Cup
1b	75001511	Filter Handle Assy 1 Cup PTFE Coated (Teflon-coated)
2a	75000031	1 Cup Filter (7gr)
2b	75000037	1 Cup Filter (6.5gr)
2c	75000059	1 Cup Filter (6gr)
3	75000120	Filter Spring
4	75000050	Spout 1 Cup
5a	75002510	Filter Handle Assy 2 Cup
5b	75002511	Filter Handle Assy 2 Cup PTFE Coated (Teflon-coated)
6	75000041	2 Cup Filter (14gr)
7	75000060	Spout 2 Cup
8	75000000	Blind Rubber Filter
9	75000020	Blind Metal Filter

All versions

Drawing



## All versions

## Spare Parts List

POS.	Part No.	Description
1	30200035	Long Plug 1/2 Group
2	50010040	21.7*25.7*2 G/C-G Teflon Gasket
3	70000009	Group Teflon Injector Rev3
4	30200061	Group Teflon Injector Rev3
5	30200026	Tefl Water Reduc. Holder 4X6x65
6	25091250	Allen Screw 6*10 Din-912 Group
7	30200010	Crem Brewing Group Body
8	30200040	Diffuser
9	75000010	Shower
10	75000081	8mm Group Head Gasket
11	75000083	Filter 8.5MM
12	75000085	Filter 9Mm
13	75000090	Extra Seal For Gasket 0.5mm
14	75000095	Extra Seal For Gasket 1mm
15	30000043	High Group Brewing Group Thread
16	30000040	Brewing Group Thread
17	25091210	Allen Screw 4X12 DIN-912
18	50000100	O-Ring 6.07X1.78 Fkm Fda
19	50000010	Green Body Flat Group Joint
20	50020000	3.5*18.2*2 Teflon Hot Water Reducto
21	50020020	Chicle Teflon 2'5 (2'5X18'2X2)
22	50020010	Chicle Teflon 2 (2X18'2X1)
23a	60000112	Gro Head Electrov. Parker 220V
23b	65000115	Safety valve C 10/A - 3/8 NGI
24	ESCS0001	Gro Head Electrov. Parker 120V
25	15000050	Group Espresso Preass

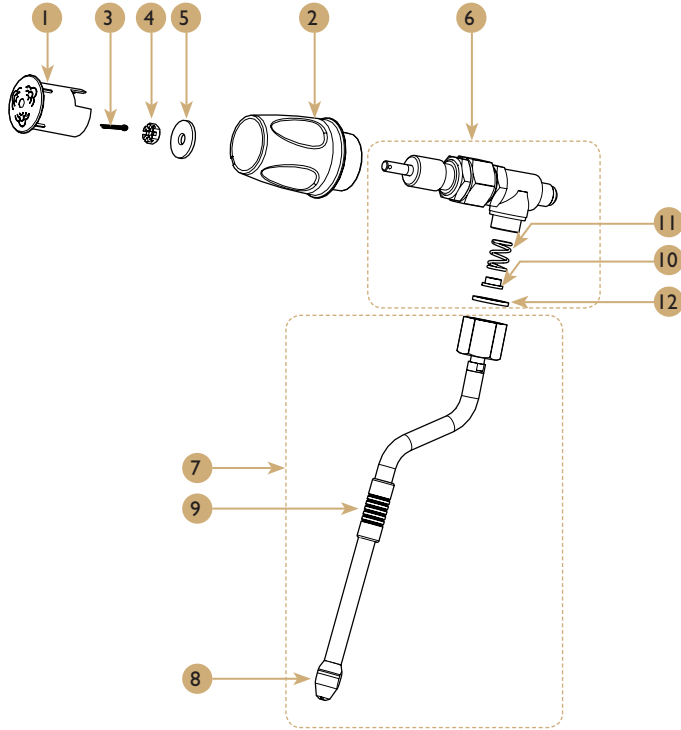
**Note:**

Sets C60000112 and C60000115 do not include no. 17 screws.  
The CESC50000 set is designed for threaded group bodies (models prior to 2004).

Pos. 13/14 can be used for old and worn out seals/group heads to ensure proper sealing.

ONYX MINI, MINI+, 2Gr & 3Gr

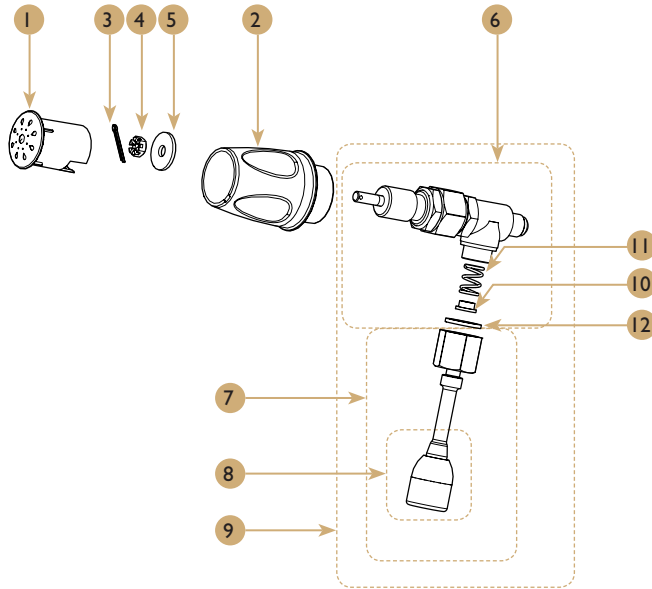
Drawing



POS.	Part No.	Description
1	1264503	Knob Cover Steam
2	1264502	Knob Body
3	30370110	Cotter Pin
4	25097960	Castle Nut M6-DIN 979
5	25012521	Stainless Knob Washer
6	15000325	Tap Steam/Water Body
7A	1364099	Steam Tap Tube Basic
7B	1364101	Steam Tap Tube Basic
8a	30370190	Nozzle Steam Tap 1Hole M8.5 w/ O-ring
8b	30370185	Nozzle Steam Tap 2Hole M8.5 w/ O-ring
8c	30370195	Nozzle Steam Tap 3Hole M8.5 w/ O-ring
8d	30370180	Nozzle Steam Tap 4Hole M8.5 w/ O-ring
9	70000035	Protection Rubber
10	50010080	Gasket Tap Steam/Water Teflon
11	30370076	Spring Steam/Water Tap
12	30370077	Gasket Tap Steam/Water Brass

ONYX MINI, MINI+, 2Gr & 3Gr

Drawing



POS.	Part No.	Description
1	1264504	Knob Cover Water
2	1264502	Knob Body
3	30370110	Cotter Pin
4	25097960	Castle Nut M6-DIN 979
5	25012521	Stainless Knob Washer
6	15000325	Tap Steam/Water Body
7a	30370080	Water Stem Standard
7b	35010056	Water Stem Take Away
8	30000050	Nozzle Water Tap Complete
9	15000330	Tap Hot Water Complete
10	50010080	Gasket Tap Steam/Water Teflon
11	30370076	Spring Steam/Water Tap
12	30370077	Gasket Tap Steam/Water Brass