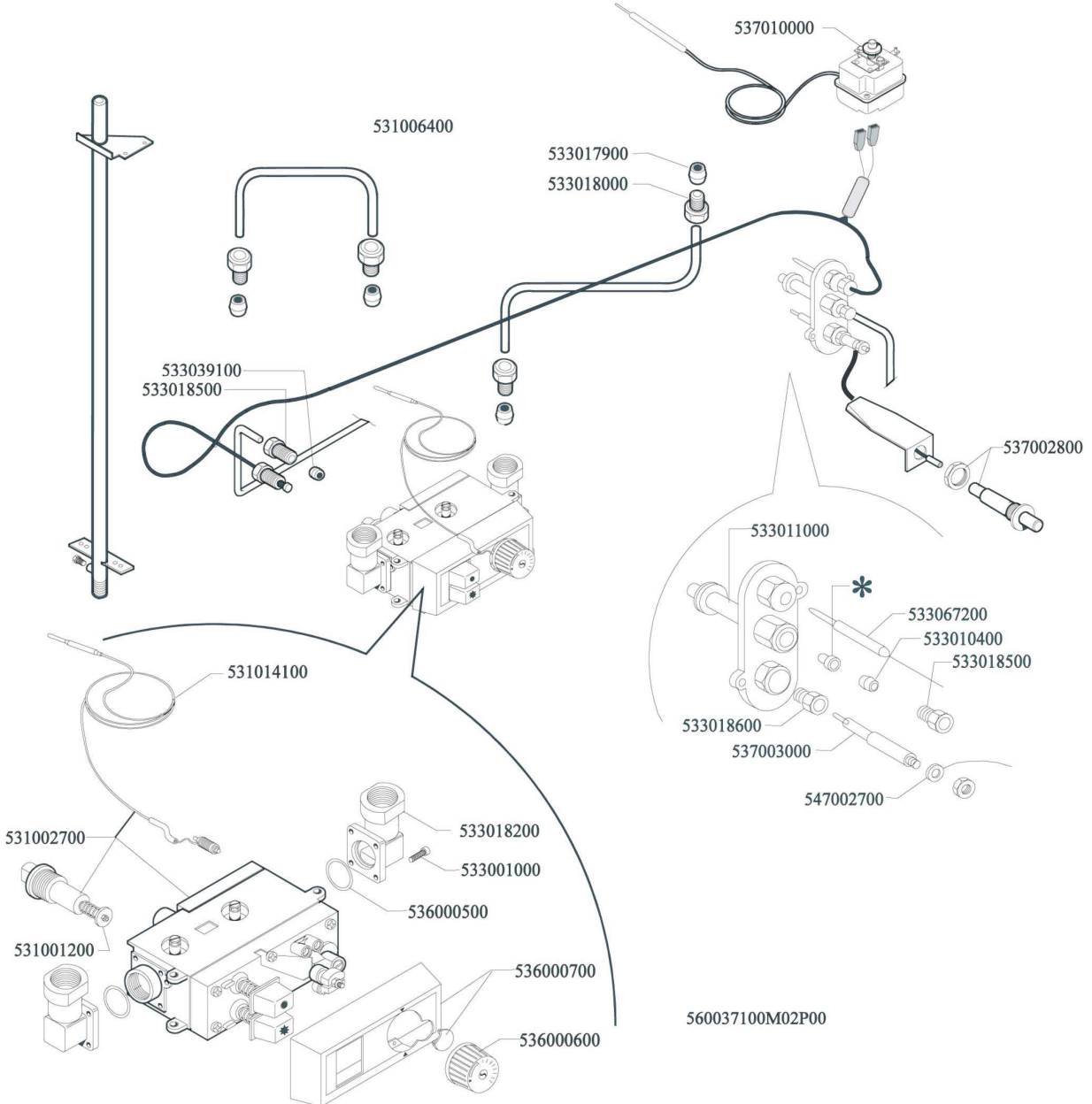
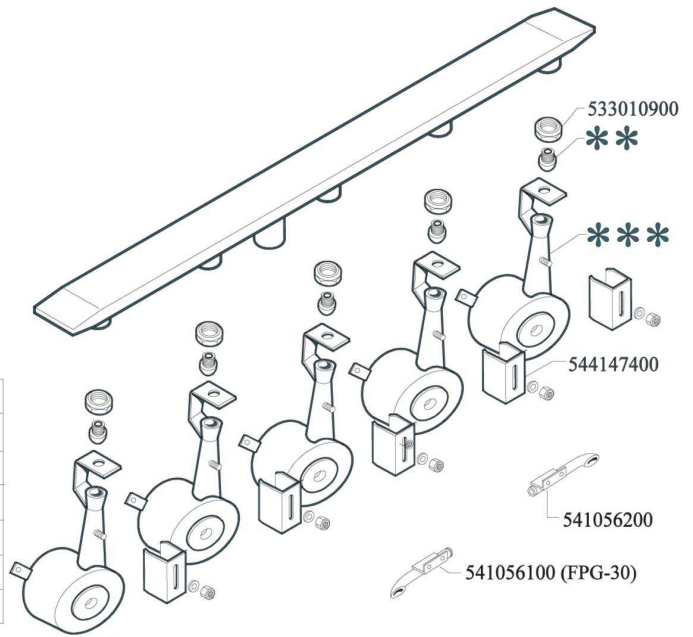


	*	FPG-20 **	FPG-30 **	***	****
G30-28+30mbar G31-37mbar	533020200	533019300	533030100	531006400	
G30-50mbar	533020200	533030500	533014700	531030600	
G20-20mbar G25-25mbar	533020400	533014900	533015200	531006400	
G20-DE-AT 20mbar	533020400	533014900	533015200	531030600	
G25-20mbar	533020400	533030200	533030900	531030600	
G25-25mbar NL	533020400	533030300	533030800	531006400	



Page	Pos	Code	Description
001		536006400	BLACK HANDLE 65/FE/FG
001		531019500	FLUE GRID 400 FMG CHROME
001		544233600	TANK LID FPG/FPE-20
001		531017500	FRYER BASKET 60 465X350X80H FPG/E20
001		531017400	TANK FILTER/BASKET SUPPORT FPG-20
001		541050500	UPPER PLATE FMPG-20
001		541050900	FRAME OF FMPG-20
001		536000200	D.12 H.4 BUMPER
001		541048900	CONTROL PANEL FMPG-20
001		533010100	3/4 D. 18 PIPE UNION
001		533010200	BICONE 18S
001		531001000	DRAIN COCK 3/4" + HANDLE
001		541047200	FILTER FOR DRIP TRAY
001		541029600	DRIP TRAY 40L
001		541046600	LEFT DOOR 40
001		541047800	RIGHT DOOR 30
001		541047900	LEFT DOOR 30
001		536005300	PLASTIC LED 2"
002		533010900	NUT M14*1 H.4
002		544147400	AIR ADJUSTMENT BUSHING FMG-FQ
002		541056200	RIGHT IGNITION TUBE FP-62G
002		537010000	SAFETY THERMOSTAT 220°C SINGLEPHASE
002		531006400	FRYER BURNER FQ-61G
002		533017900	BICONE D.12
002		533018000	ELBOW FOR BICONE D.12 3/8 RS L20
002		537002800	PIEZOELECTRIC IGNITION M18 WITH NUT
002		533039100	BICONE §6
002		533018500	FITTING FOR BICONE D.6 M10*1
002		533011000	PILOT BURNER 3 FLAMES 320
002		533067200	THERMOCOUPLE 220+500 M9*1 CUT-OFF
002		533010400	BICONE D.6
002		533018600	PLUG FITTING
002		537003000	PLUG M4 - LONG ELECTRODE
002		547002700	HIGH-VOLTAGE CABLE L=500
002		531014100	VALVE CAPILLARY PROBE FOR FG §6
002		533018200	ELBOW OR GJ 3/8
002		533001000	SCREW TCB C/CC M4X16
002		531002700	MINISIT VALVE 100-190°C FQ/FG
002		536000500	O-RING FOR MINISIT FITTING
002		531001200	MAGNET AC/2-MINISIT
002		536000700	PLASTIC COVER FOR MINISIT + SCREW
002		536000600	BLACK LHD KNOB OP. FOR MINISIT
002		533020200	PILOT JETS 0160 FOR LPG §30
002		533020400	NOZZLE 0160 (NATURAL GAS) 51
002		533019300	NOZZLE §100 G-FQ5 F-CW
002		533030500	NOZZLE §90 CH12X14 G30/CE
002		533014900	NOZZLE §150 CH12*14 F-FQ5 L-FQ6
002		533030200	NOZZLE §170 CH12*14 MH-FG L-FP/CW
002		533030300	NOZZLE §160 CH12*14 M-FPG
002		531030600	BURNER "S" FQ-61G