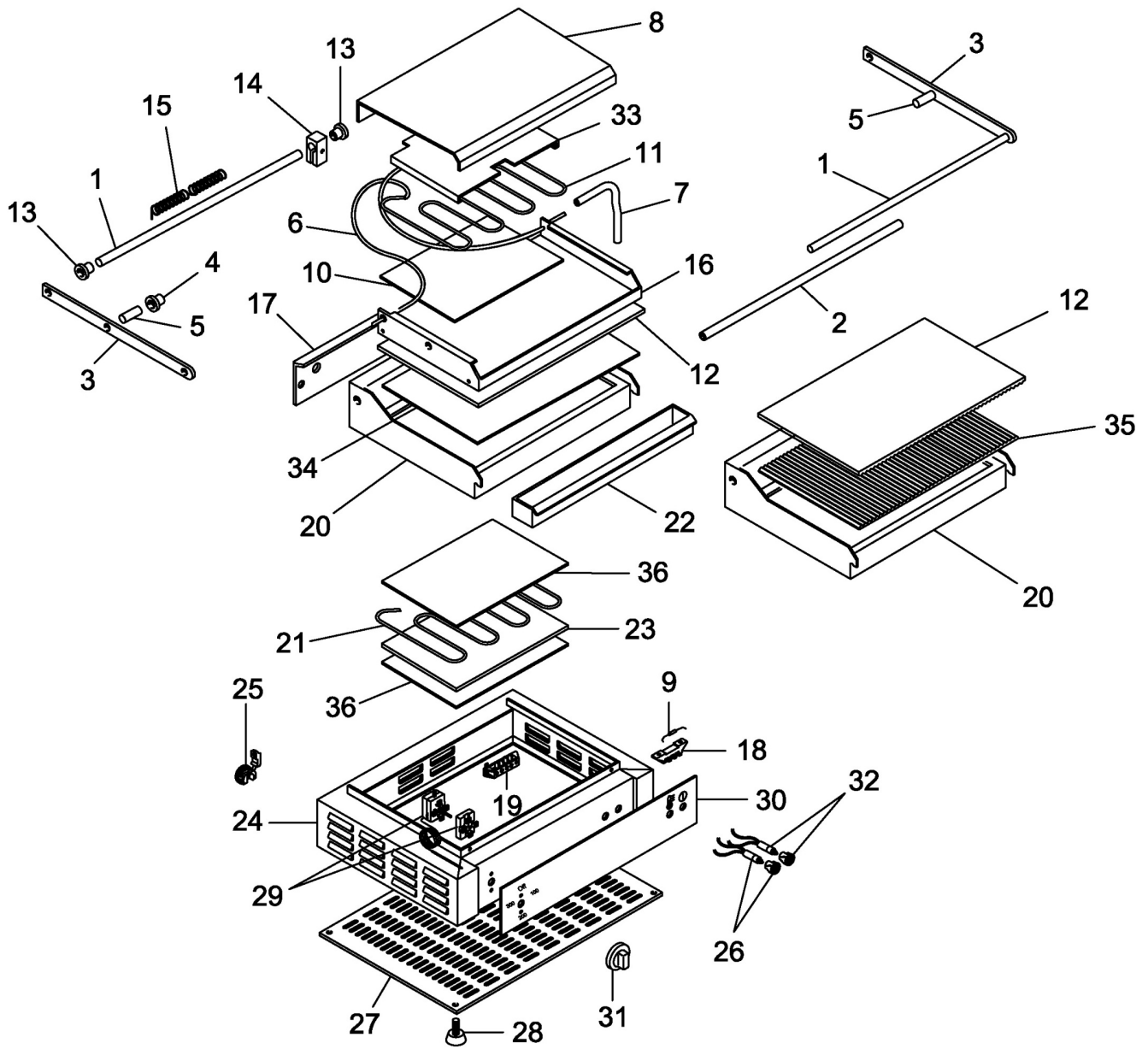


PV35R-L



PV35R-L

Pos. Ref.	Codice Code		Caratteristiche Features	Descrizione Description	
1	CO4431			Perno	Pivot
2	CO4428			Maniglia	Handle
3	CO4403			Leva	Lever
4	CO4457			Boccola	Bush
5	CO4404			Perno	Pivot
6	CO4408			Tube	Tube
7	CO4412			Raccordo	Nipple
9	CO4401	●		Fusibile	Fuse
11	CO4433		230V/1N/50-60Hz	Resistenza	Resistance
12	CO4473		Ceramic glass	Vetro	Glass
13	CO4463			Boccola	Bush
14	CO4462			Blochetto	Pad
15	CO4475			Molla	Spring
16	CO4474			Cornice	Moulding glass
17	CO4476			Protezione	Protection
18	CO4471			Morsettiera	Terminal box
19	CO4425			Morsettiera	Terminal box
20	CO4477			Piastra	Plate
21	CO4438		230V/1N/50-60Hz	Resistenza	Resistance
22	CO4439			Cassetto	Tray
23	CO4440			Isolante	Insulating material
25	32D0360			Pressacavo	Cable clamp
26	32W2970	●	230V 2W (green)	Lampada	Lamp
28	CO4423			Piedino	Foot
29	CO4421	●		Termostato	Thermostat
30	SL3614			Etichetta	Label
31	SL3550			Pomello	Knob
32	CO1948	●	230V 2W (orange)	Lampada	Lamp
33	CO4472			Coperchio	Cover
34	CO4479		Ceramic glass (PV35L)	Vetro	Glass
35	CO4478		Ceramic glass (PV35R)	Vetro	Glass

(*) : fuori produzione / out of production

● : ricambio consigliato / spare part suggested