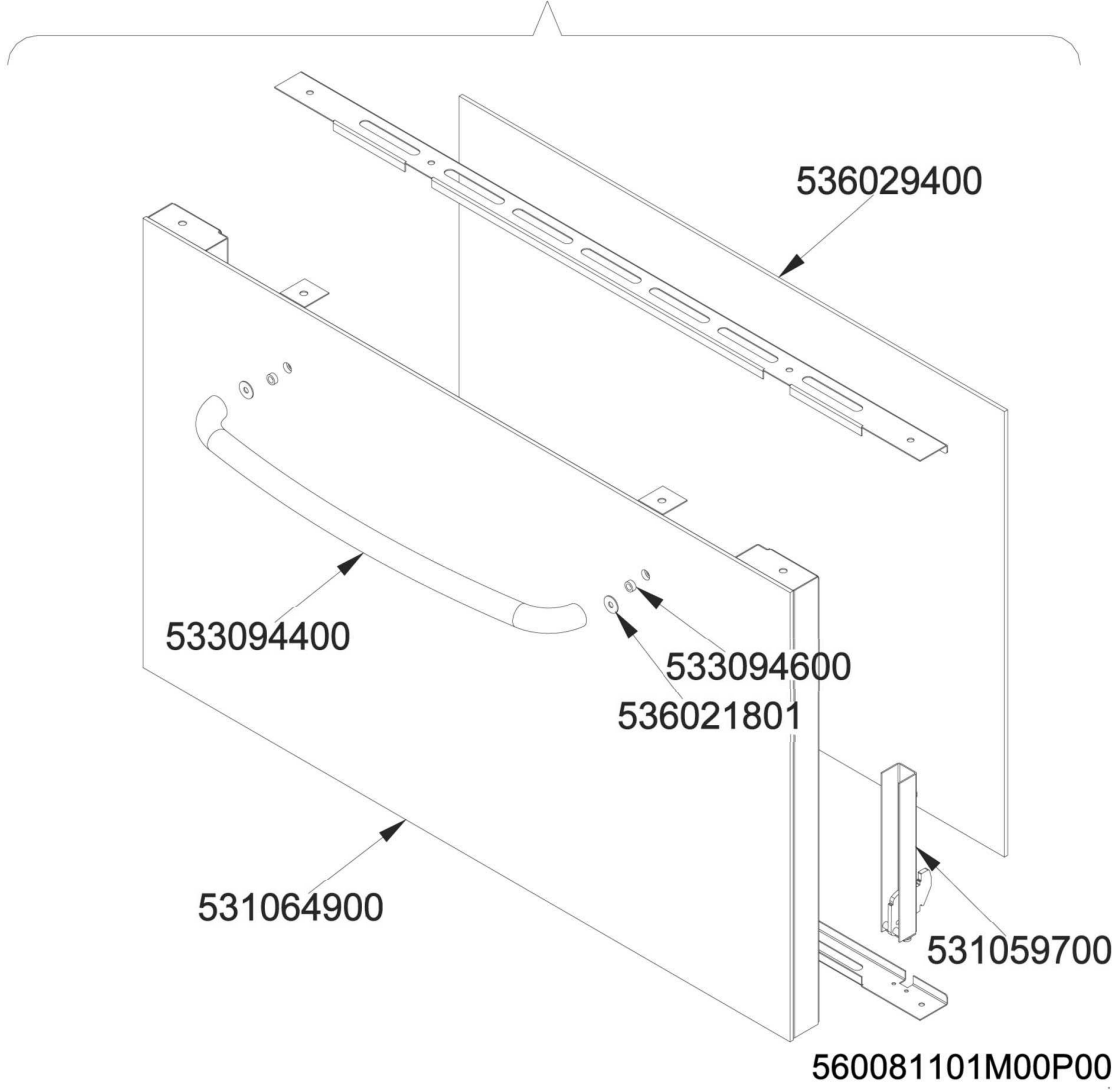
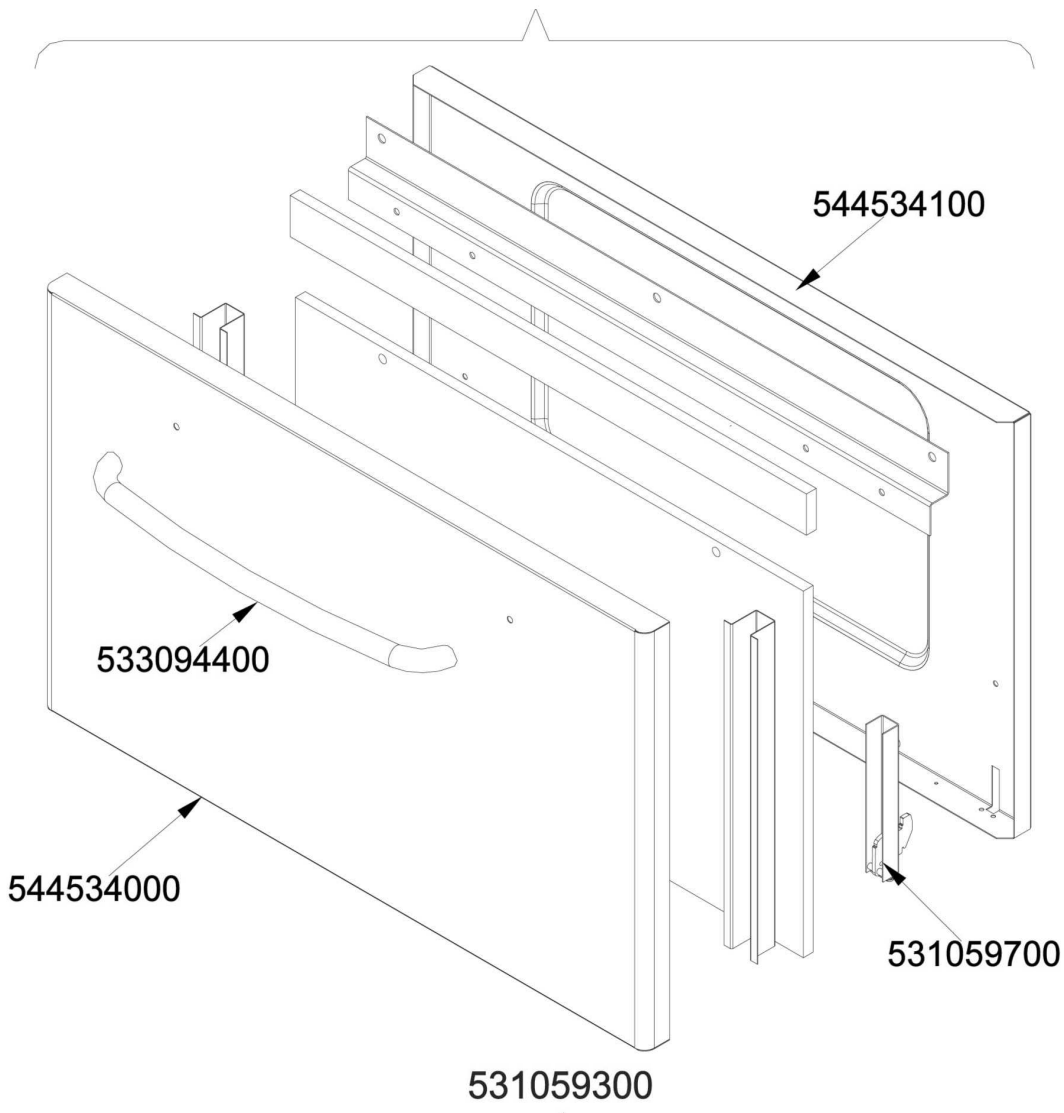
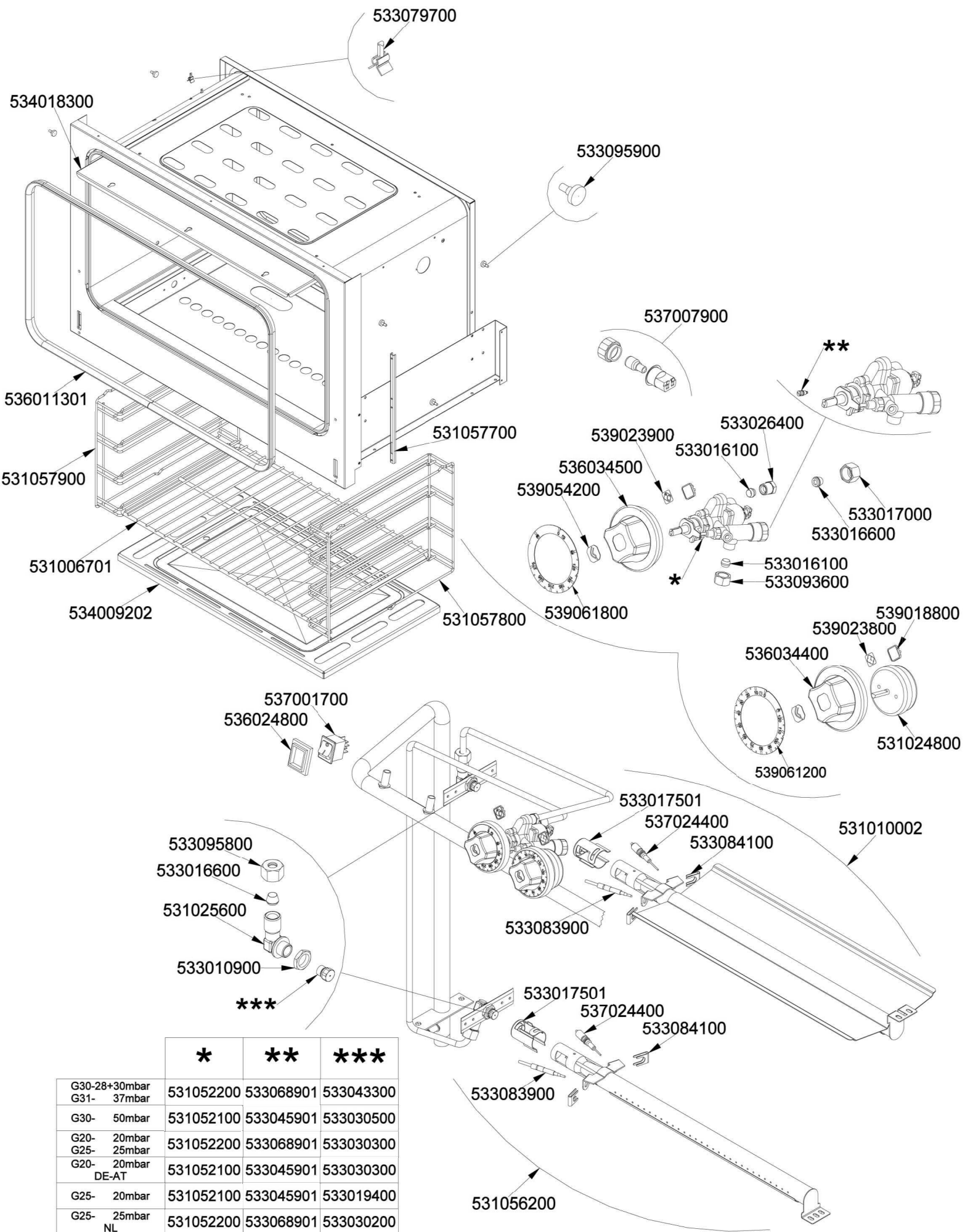


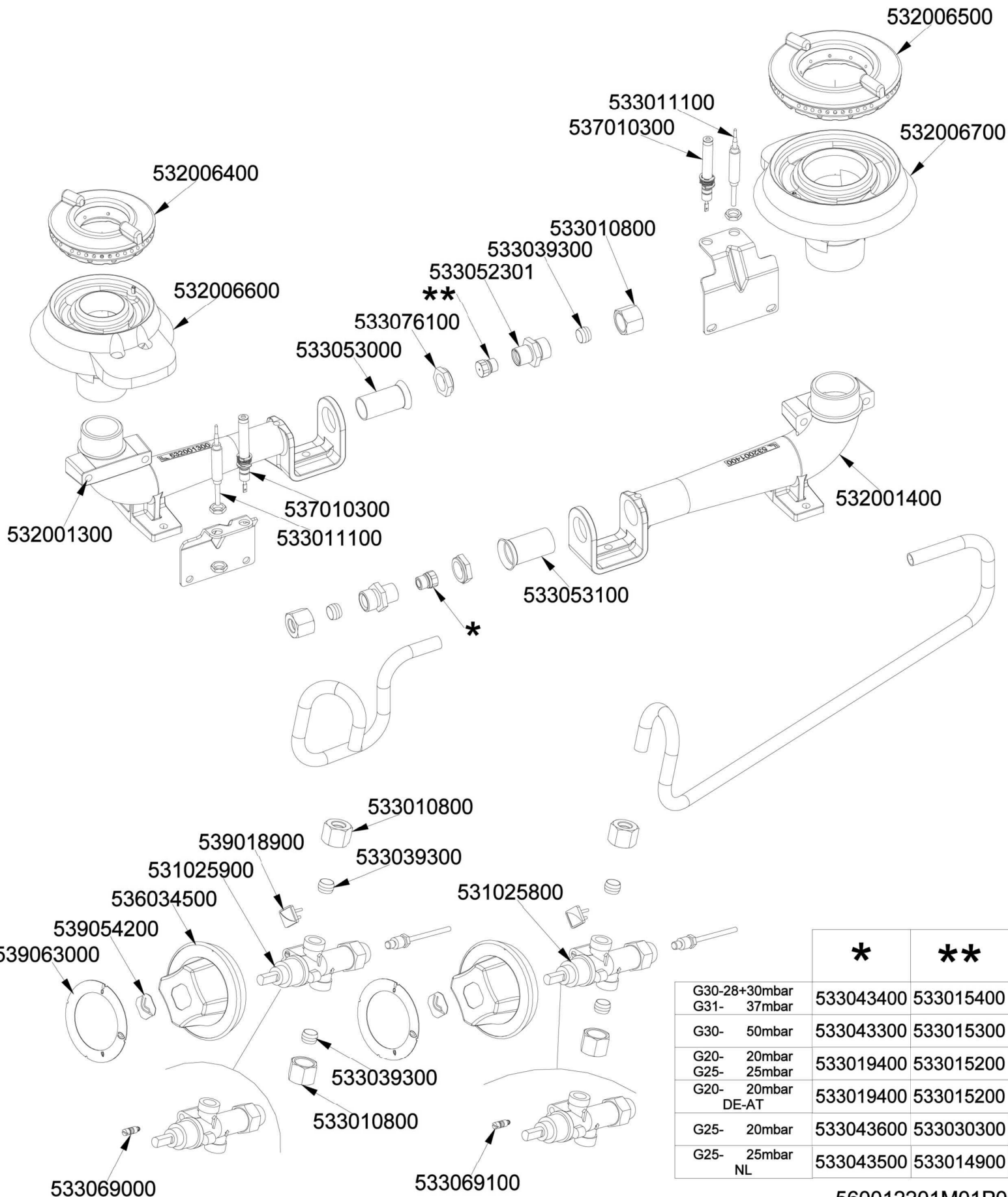
531059201





	*	**	***
G30-28+30mbar G31- 37mbar	531052200	533068901	533043300
G30- 50mbar	531052100	533045901	533030500
G20- 20mbar G25- 25mbar	531052200	533068901	533030300
G20- 20mbar DE-AT	531052100	533045901	533030300
G25- 20mbar	531052100	533045901	533019400
G25- 25mbar NL	531052200	533068901	533030200

560081000M01P00



	*	**
G30-28+30mbar G31- 37mbar	533043400	533015400
G30- 50mbar	533043300	533015300
G20- 20mbar G25- 25mbar	533019400	533015200
G20- 20mbar DE-AT	533019400	533015200
G25- 20mbar	533043600	533030300
G25- 25mbar NL	533043500	533014900

560012201M01P00

Page	Pos	Code	Description
001		541198600	CONTROL PANEL 60T CF4-6 8 G
001		532006200	2 BURNERS GRID 289X504 60T RAF
001		544522000	BURNER DRIP PAN OF PCT-60
001		537036500	TERMINAL BLOCK 4POLES 40A SCREW-SCR
001		537005601	6 FLAME IGNITION CONTROL BOX V230
001		544540300	
001		541194500	CONTROL PANEL 607090 CF4-6 8 G
001		537015600	BIPOLAR SWITCH
001		536024800	HOOD WITH SWITCH FRAME
001		544540200	
001		531048400	INOX LEG Ø1"3/4 100-165 M10
002		531059201	COMPLETE S/S DOOR FOR MAXI 600 OVEN
002		544534100	INNER DOOR OF MAXI OVEN OF 60T-LINE
002		533094400	S/S OVEN DOOR HANDLE FOR 60T-LINE
002		544534000	S/S DOOR FOR MAXI OVEN OF 60T LINE
002		531059700	DOOR HINGE FOR MAXI OVEN 60.LINE
002		531059300	OVEN DOOR * S60T 68 GLASS C.
002		536029400	INTERNAL GLASS OVEN DOOR MAXI
002		533094600	BUSH P.F. 60-LINE
002		536021801	DOOR HANDLE SPACER FOR MAXI OVEN
002		531064900	EXTERNAL GLASS MAXI OVEN DOOR+FRAME
003		534018300	KNOB PROTECTION FOR MAXI CF 60T
003		533079700	LOCK SPRING FOR BULB §3/§4
003		533095900	PIN FOR GRIDSHOLDER SUPPORT CF 60
003		536011301	GASKET FOR MAXI 60T-OVEN L=1980
003		531057900	LHD GRIDS HOLDER FOR MAXI-OVEN
003		531006701	MAXI OVEN GRID FOR S60/65
003		534009202	BOTTOM FOR GAS MAXI OVEN FOR 60LINE
003		531057700	DOOR WHEEL HOLDER F.MAXI OVEN 60T
003		537007900	OVEN BULB-SOCKET WITH LAMP
003		539023900	SIGN PLATE FOR OVEN TEMPERATURE
003		533026400	ELBOW FOR BICONE D.8 M13X1
003		533016100	BICONE D.8
003		533017000	THREADED FITTING FOR BICONE 8S
003		533016600	BICONE §8 H.6 SABAF DIS.688
003		533093600	BICONE FITTING §8 M13 FEM.SABAF
003		536034500	KNOB §77 4P. §08*6,5
003		539054200	STAMP Ø20,5 CR."L" LOTUS R.
003		531057800	RHD GRIDS HOLDER FOR MAXI-OVEN
003		539061800	ADESIVE DISK FOR GAS OVEN S60
003		539018800	BLANK INDEX FOR KNOB
003		539023800	LABEL FOR OVEN TIMER
003		536034400	KNOB §77 4P. §06*4,6 C/M
003		531024800	TIMER 120'- 360°
003		539061200	ADHESIV.DISK FOR TYMER EL. OVEN
003		537001700	GREENLIGHTED BIPOLAR SWITCH
003		536024800	HOOD WITH SWITCH FRAME
003		533095800	TUBE NUT D.08 M16*1,5
003		531025600	ELBOW 90° NOZZLE-HOLDER §10 PIPE
003		533010900	NUT M14*1 H.4
003		531056200	BURNER FOR OVEN CF-8/10G

Page	Pos	Code	Description
003		533083900	THERMOCOUPLE 1000 M8*1 OVEN BURNER
003		533017501	VENTURI BUSHING FOR OVEN BURNER CF
003		537024400	IGNITION PLUG FOR OVEN-BURNER
003		533084100	LOCK SPRING FOR PLUG-THERMOCOUPLE
003		531010002	GRILL BURNER FOR CF-55/60
003		531052200	§50 BY-PASS SAFETY COCK S55
003		531052100	§45 BY-PASS SAFETY COCK S55
003		533068901	§50 BY-PASS COCK F.OVEN CF60/65/55
003		533045901	§45 BY-PASS THERMOSTATIC TAP
003		533043300	NOZZLE §103 CH12*14 F-PC4 UR
003		533030500	NOZZLE §90 CH12X14 G30/CE
003		533030300	NOZZLE §160 CH12*14 M-FPG
003		533019400	NOZZLE §180 CH12*14 L-FQ5
003		533030200	NOZZLE §170 CH12*14 MH-FG L-FP/CW
004		532006400	QUICKBURNER 2 RING Ø082 3 Z
004		532006600	BURNER BODY 3,5 KW WITH PLUG
004		532001300	BURNER VENTURI 3,5 KW
004		533011100	THERMOCOUPLE 750 M8*1
004		537010300	IGNITION PLUG WITH SPRING PC65
004		533053000	AIR ADJUSTMENT BUSHING §18
004		533076100	HEXAGONAL NUT M14X1 H4 + BUSHING
004		533052301	JOINT FOR NOZZLE HOLDER
004		533039300	BICONE §10
004		533010800	TUBE NUT D.10 M16*1,5
004		532006500	QUICKBURNER 2 RING Ø102 3 Z
004		532006700	BURNER BODY 5,5 KW WITH PLUG
004		532001400	BURNER VENTURI 5,5 KW
004		533053100	AIR ADJUSTMENT BUSHING §20
004		539063000	RED STICKING DISK 72
004		539054200	STAMP Ø20,5 CR."L" LOTUS R.
004		536034500	KNOB §77 4P. §08*6,5
004		531025900	SAFETY TAP 20S-B PEL20S21070
004		539018900	INDEX FOR KNOB W/RED SIGN
004		531025800	SAFETY TAP 20S-B PEL20S2160
004		533069100	BY PASS COCK §60 20S
004		533069000	BY PASS COCK §70 20S-21S
004		533043400	NOZZLE §117 CH12*14 G-PC4 UR
004		533043300	NOZZLE §103 CH12*14 F-PC4 UR
004		533019400	NOZZLE §180 CH12*14 L-FQ5
004		533043600	NOZZLE §200 CH12*14 L-PC4 UR
004		533043500	NOZZLE §190 CH12*14 G25 PC4R
004		533015400	NOZZLE §93 CH12*14 G-PC4 R
004		533015300	NOZZLE §82 CH12*14 F-PC4 R
004		533015200	NOZZLE §145 CH12*14 F-FP/CP6
004		533030300	NOZZLE §160 CH12*14 M-FPG
004		533014900	NOZZLE §150 CH12*14 F-FQ5 L-FQ6