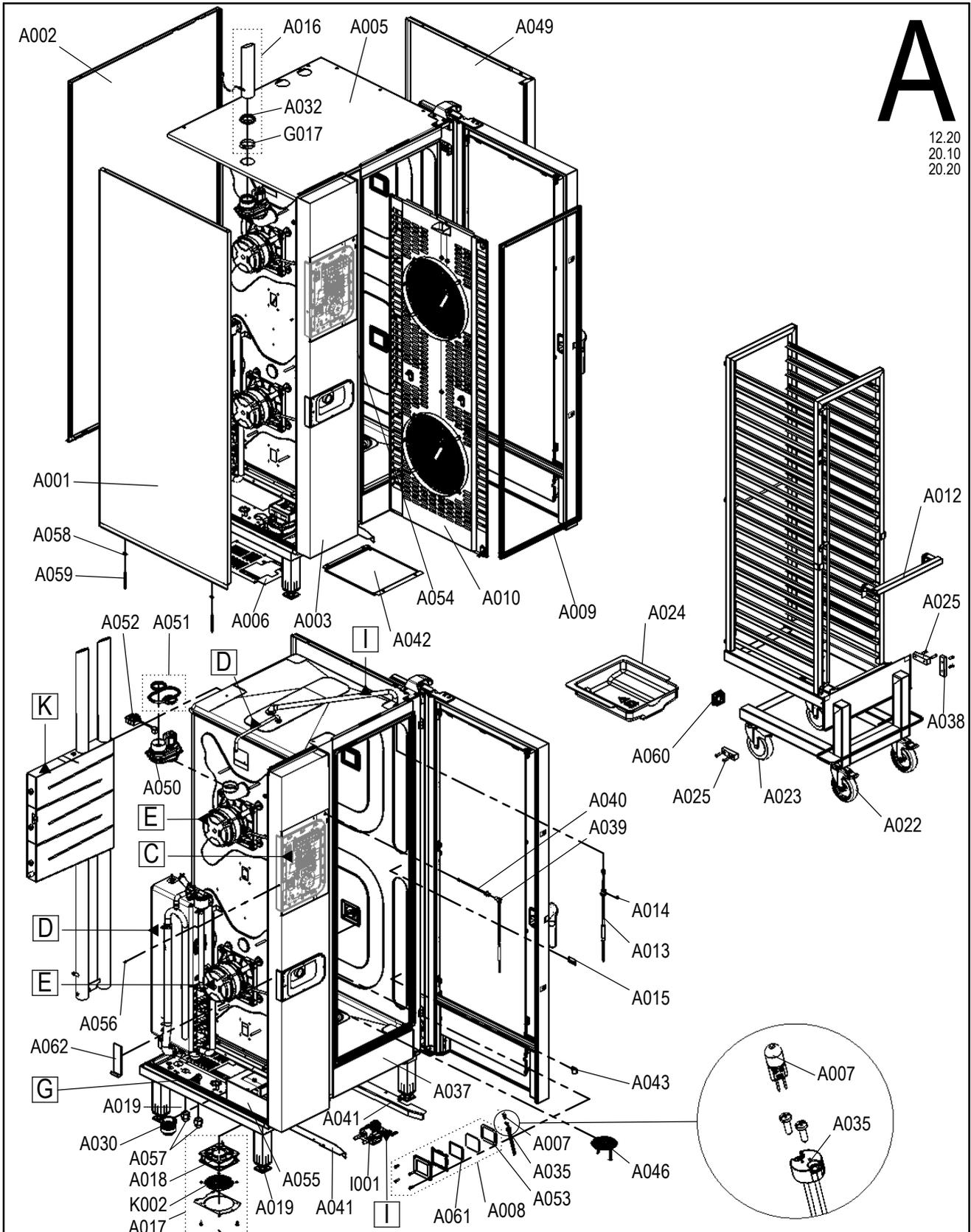


CONVOTHERM Ersatzteilzchnng. Außengehäuse Standgeräte Convotherm4
 Spare part drawing outer casing floor units Convotherm4

ETZ A - AG 567 P4

A

12.20
 20.10
 20.20

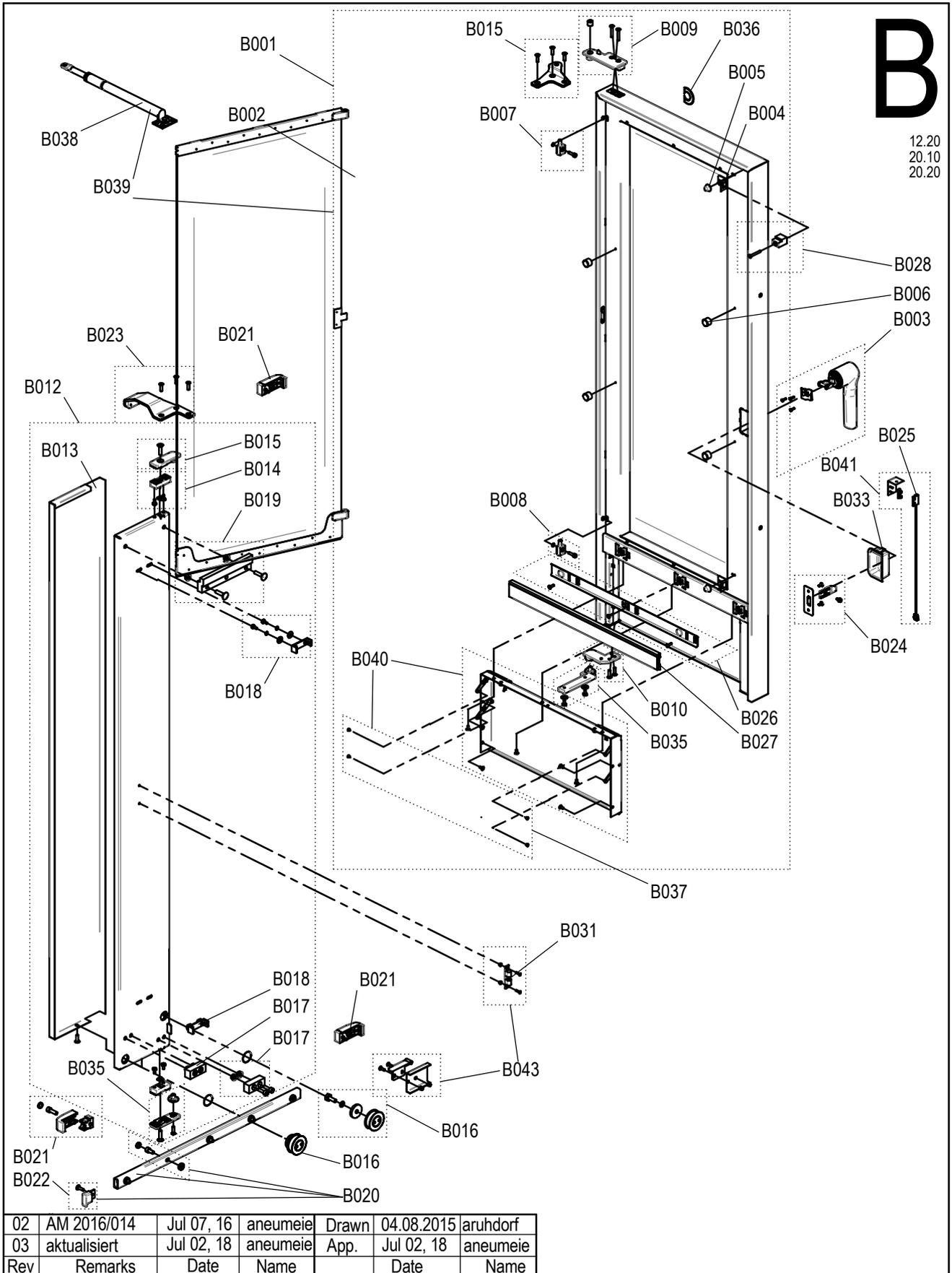


Laufende Verbesserungen des Produkts können Änderungen der Spezifikationen ohne expliziten Hinweis bedingen. Continuous improvements to the product may mean changes to the specification are made without explicit mention.
 9965008_09 Jul 16, 18 © 2018

| | | | | | | |
|-----|--------------|------------|----------|-------|------------|----------|
| 08 | aktualisiert | Jul 03, 18 | aneumeie | Drawn | Aug 18, 15 | aruhdorf |
| 09 | aktualisiert | Jul 16, 18 | aneumeie | App. | Jul 16, 18 | aneumeie |
| Rev | Remarks | Date | Name | | Date | Name |

B

12.20
20.10
20.20



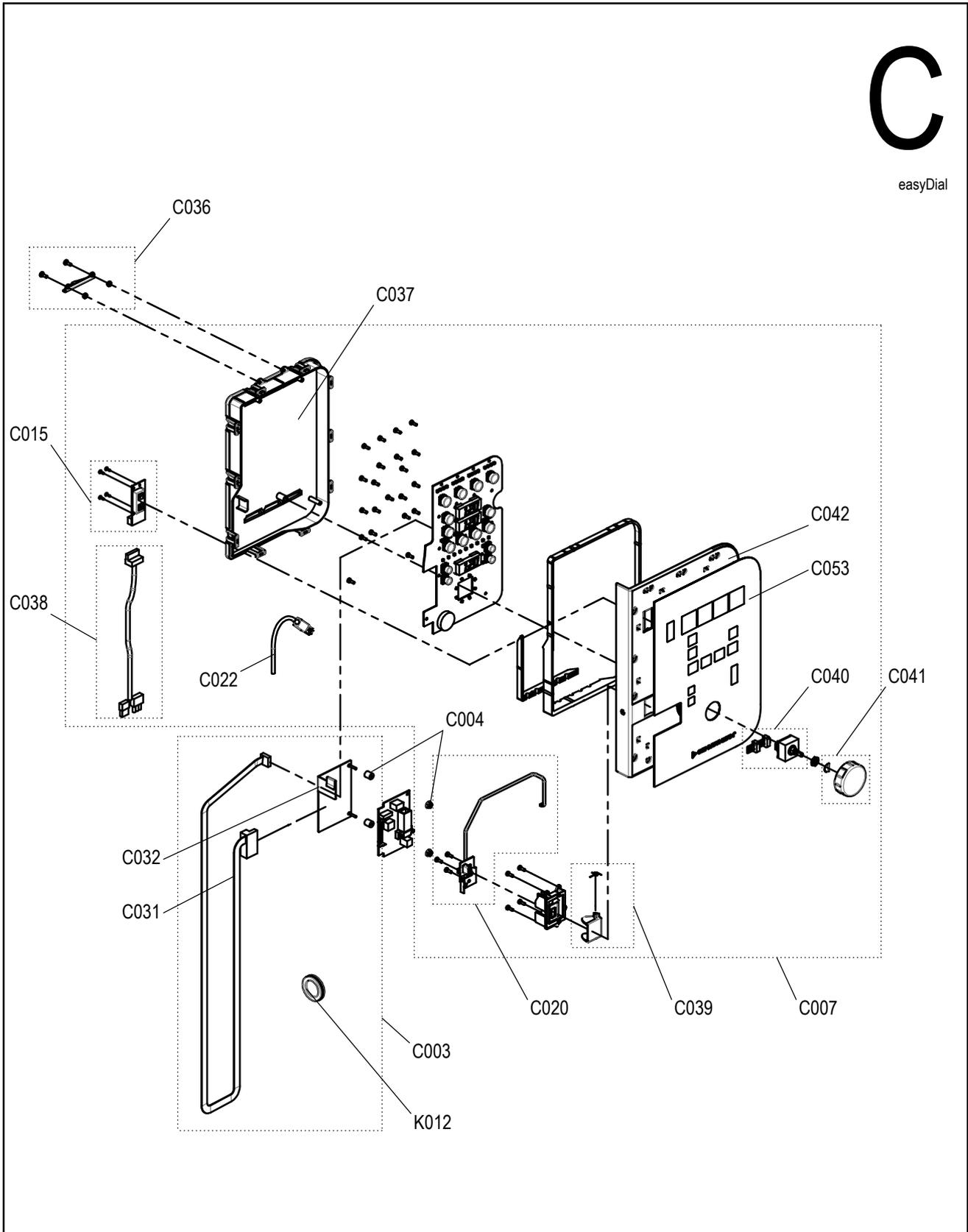
Laufende Verbesserungen des Produkts können Änderungen der Spezifikationen ohne expliziten Hinweis bedingen. Continuous improvements to the product may mean changes to the specification are made without explicit mention.
9965003_03 Jul 27, 15.Jul 02, 18 © 2018

| | | | | | | |
|-----|--------------|------------|----------|-------|------------|----------|
| 02 | AM 2016/014 | Jul 07, 16 | aneumeie | Drawn | 04.08.2015 | aruhdorf |
| 03 | aktualisiert | Jul 02, 18 | aneumeie | App. | Jul 02, 18 | aneumeie |
| Rev | Remarks | Date | Name | | Date | Name |



C

easyDial



| 02 | AM 2017/075 | Oct 18, 17 | hshweig | Drawn | Aug 31, 15 | aruhdorf |
|-----|--------------|------------|----------|-------|------------|----------|
| 03 | aktualisiert | Jan 07, 20 | aneumeie | App. | Jan 07, 20 | aneumeie |
| Rev | Remarks | Date | Name | | Date | Name |

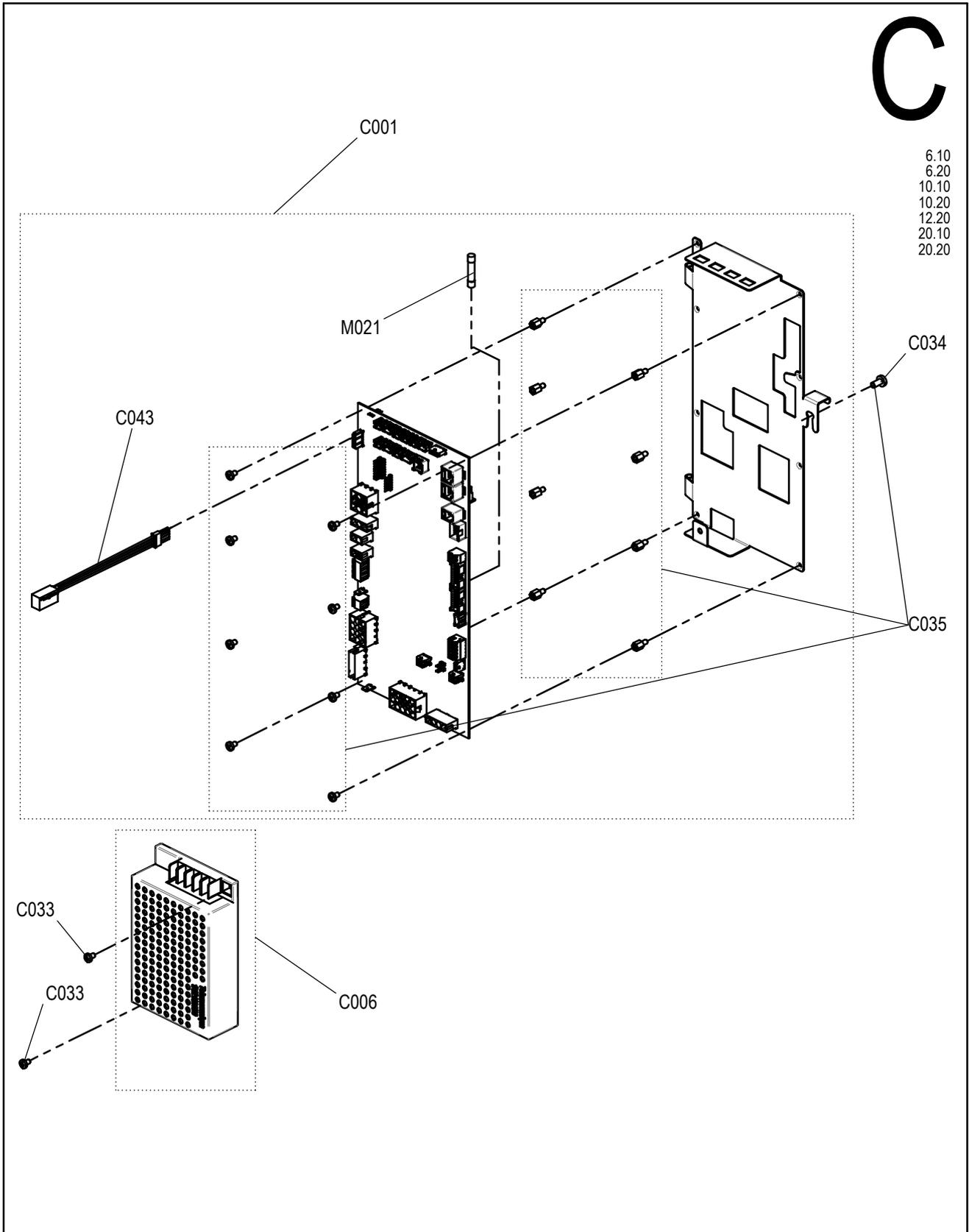
Laufende Verbesserungen des Produkts können Änderungen der Spezifikationen ohne expliziten Hinweis bedingen. Continuous improvements to the product may mean changes to the specification are made without explicit mention.
9865010_03 Jan 07, 20 © 2019



C

6.10
6.20
10.10
10.20
12.20
20.10
20.20

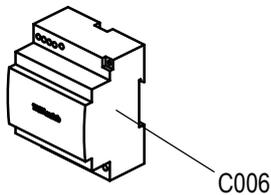
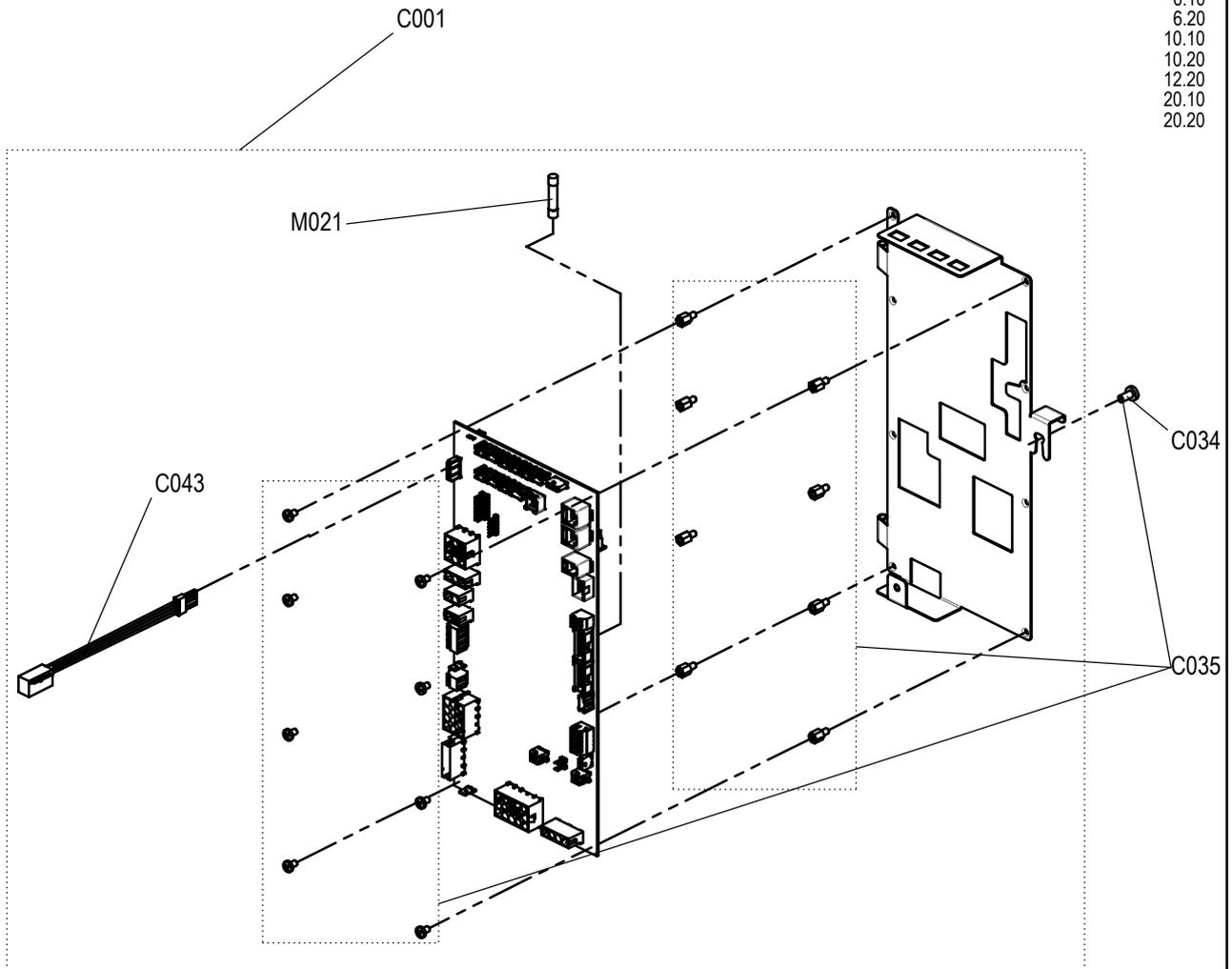
Laufende Verbesserungen des Produkts können Änderungen der Spezifikationen ohne expliziten Hinweis bedingen. Continuous improvements to the product may mean changes to the specification are made without explicit mention.
9665011_00 Nov 05, 15 © 2018



| | | | | | | |
|-----|------------|------------|---------|-------|------------|----------|
| 00 | Z-Freigabe | Nov 05, 15 | tfekete | Drawn | 02.09.2015 | aruhdorf |
| Rev | Remarks | Date | Name | App. | Nov 05, 15 | tfekete |

C

6.10
6.20
10.10
10.20
12.20
20.10
20.20

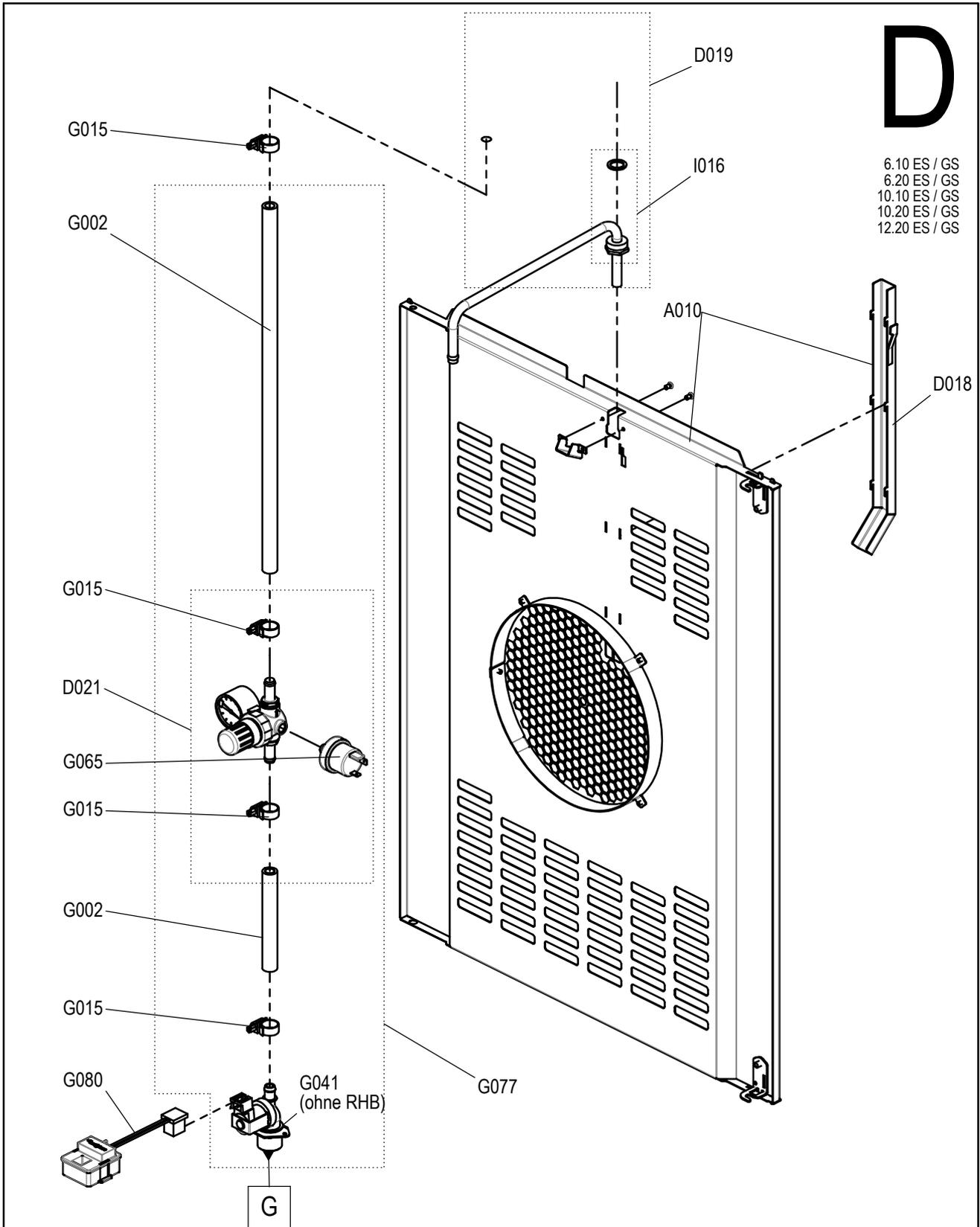


| | | | | | | |
|-----|------------|------------|---------|-------|------------|----------|
| 00 | Z-Freigabe | Nov 05, 15 | tfekete | Drawn | 02.09.2015 | aruhdorf |
| Rev | Remarks | Date | Name | App. | Nov 05, 15 | tfekete |

Laufende Verbesserungen des Produkts können Änderungen der Spezifikationen ohne expliziten Hinweis bedingen. Continuous improvements to the product may mean changes to the specification are made without explicit mention.
 9865012_00 Nov 05, 15 © 2018

D

6.10 ES / GS
6.20 ES / GS
10.10 ES / GS
10.20 ES / GS
12.20 ES / GS



| 02 | Z-Freigabe | Dec 30, 15 | aberchte | Drawn | 05.10.2015 | aruhdorf |
|-----|--------------|------------|----------|-------|------------|----------|
| 03 | aktualisiert | Dec 01, 16 | aneumeie | App. | Dec 01, 16 | aneumeie |
| Rev | Remarks | Date | Name | | Date | Name |

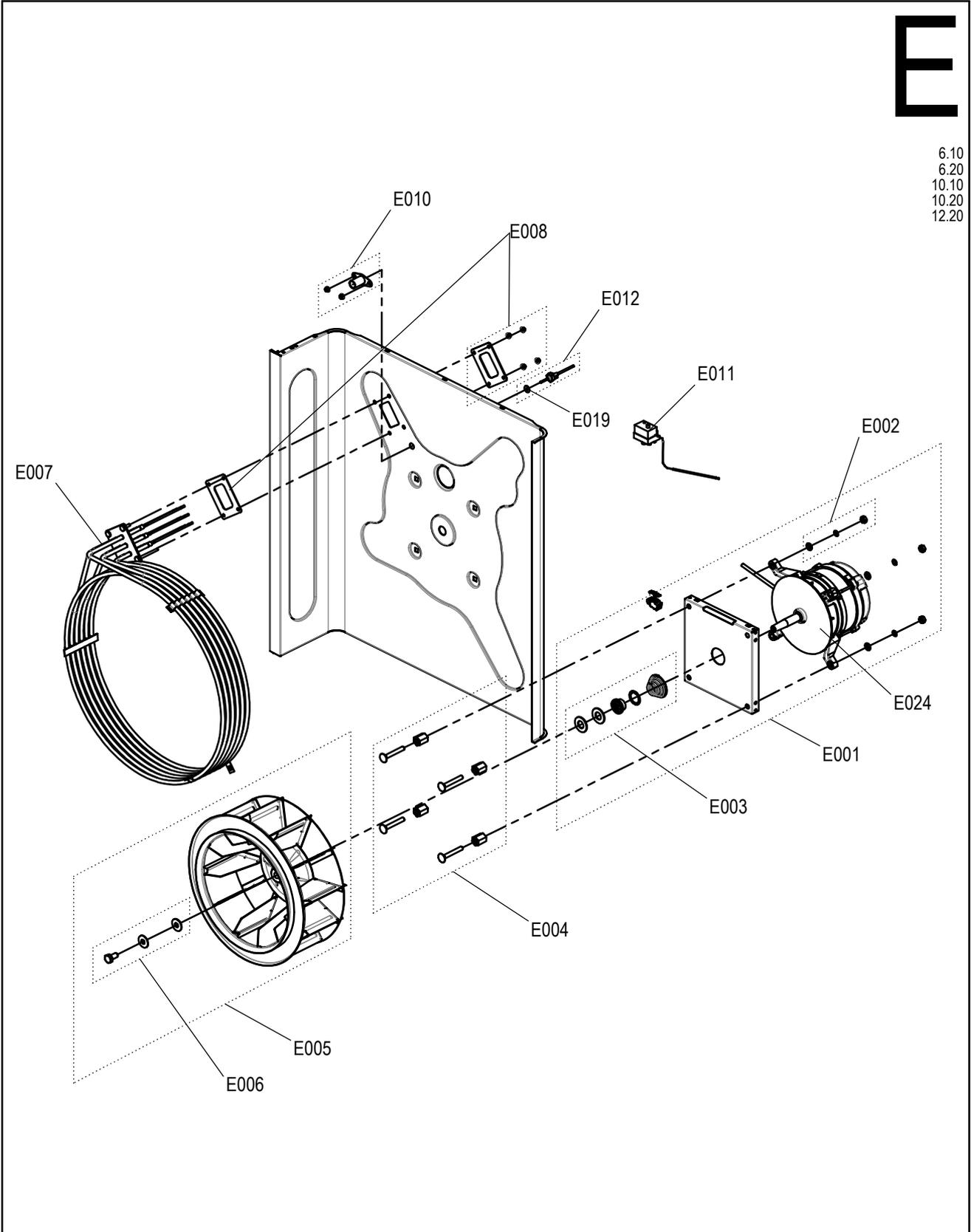
Laufende Verbesserungen des Produkts können Änderungen der Spezifikationen ohne expliziten Hinweis bedingen. Continuous improvements to the product may mean changes to the specification are made without explicit mention.
9965020_03 Dec 01, 16 © 2018



E

6.10
6.20
10.10
10.20
12.20

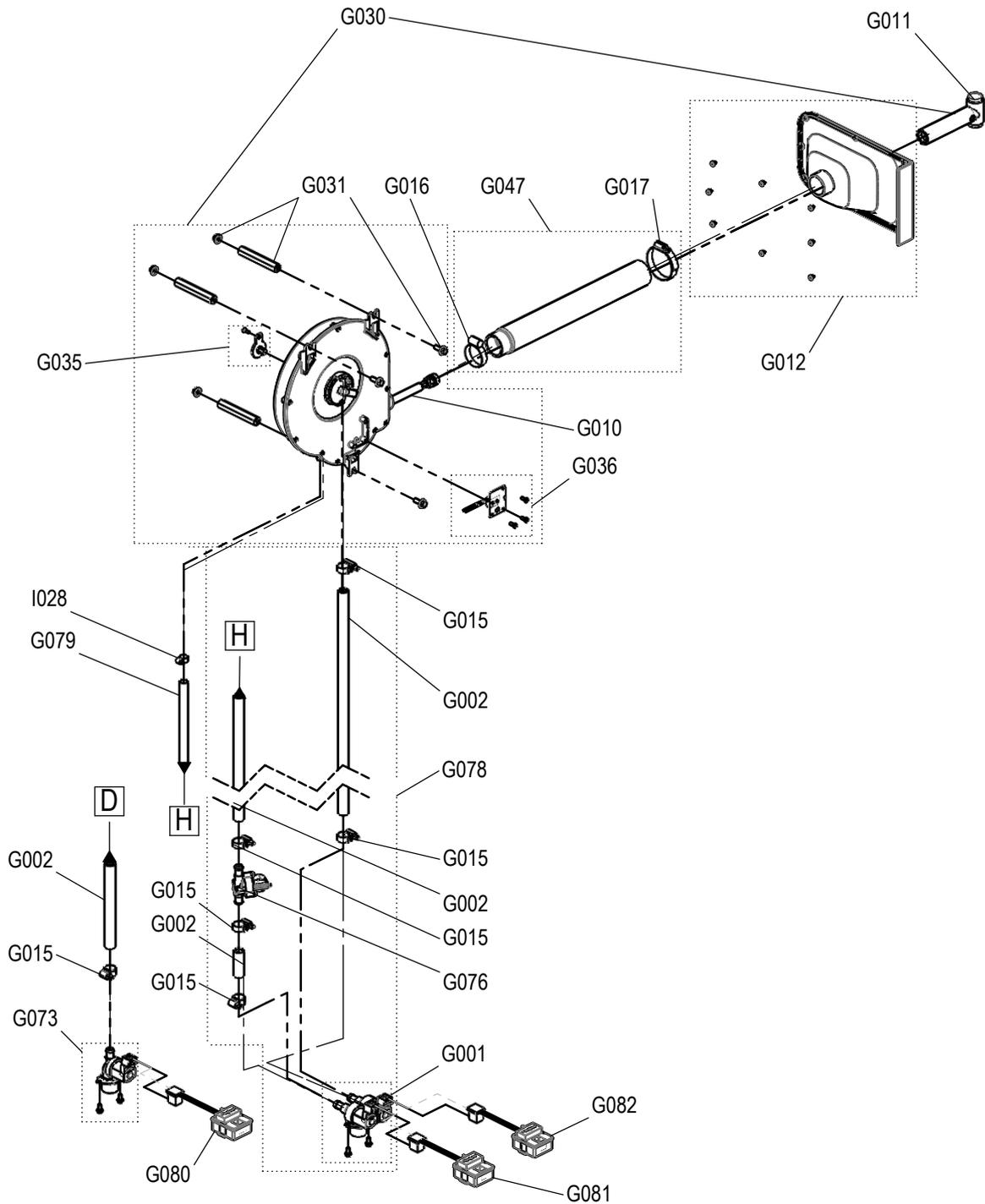
Laufende Verbesserungen des Produkts können Änderungen der Spezifikationen ohne expliziten Hinweis bedingen. Continuous improvements to the product may mean changes to the specification are made without explicit mention.
9965024_02 Jul 02, 18 © 2018



| | | | | | | |
|-----|--------------|------------|----------|-------|------------|----------|
| 01 | AM 2016/014 | Jul 07, 16 | aneumeie | Drawn | 09.10.2015 | aruhdorf |
| 02 | aktualisiert | Jul 02, 18 | aneumeie | App. | Jul 02, 18 | aneumeie |
| Rev | Remarks | Date | Name | | Date | Name |

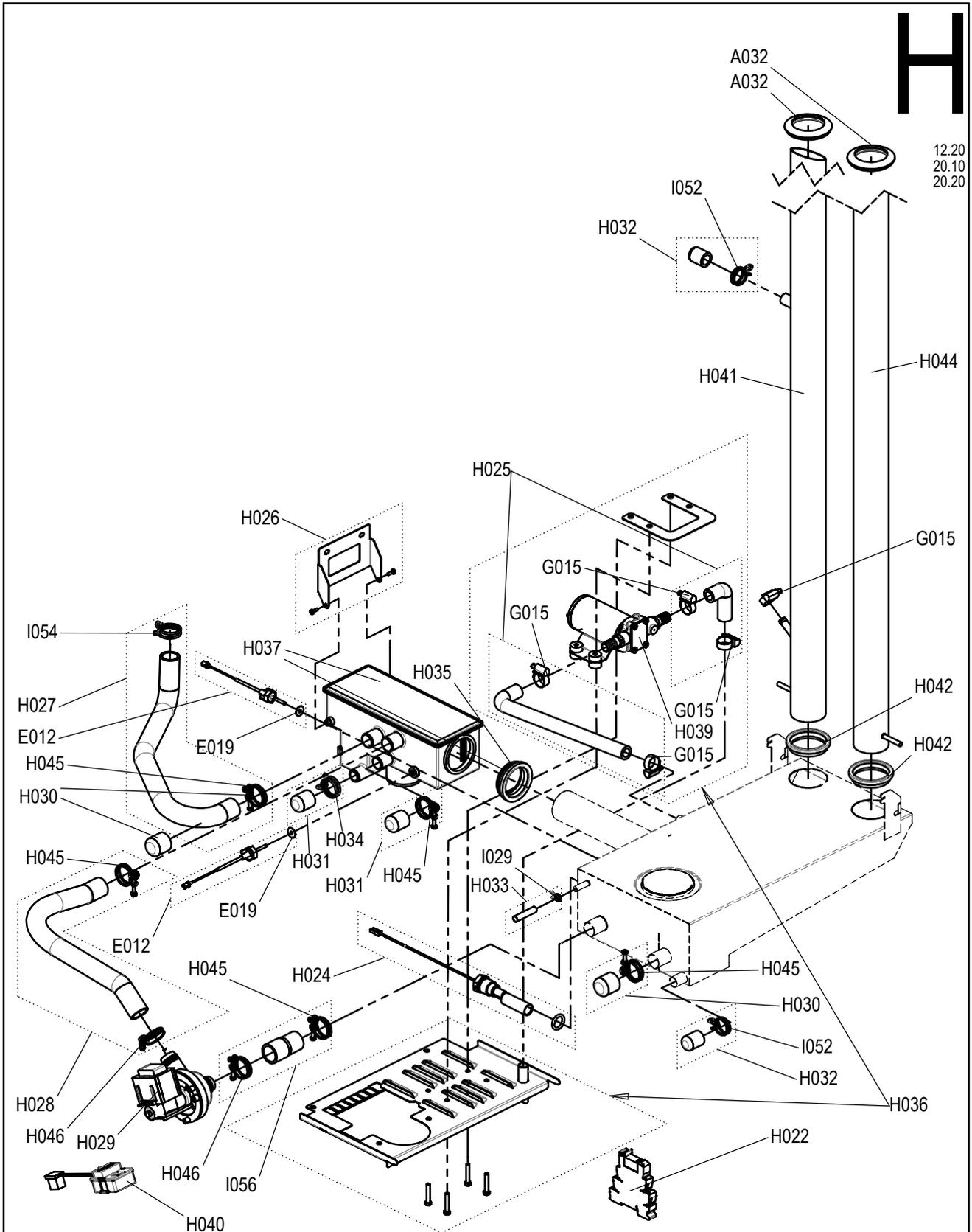


G
12.20
10.20
20.20



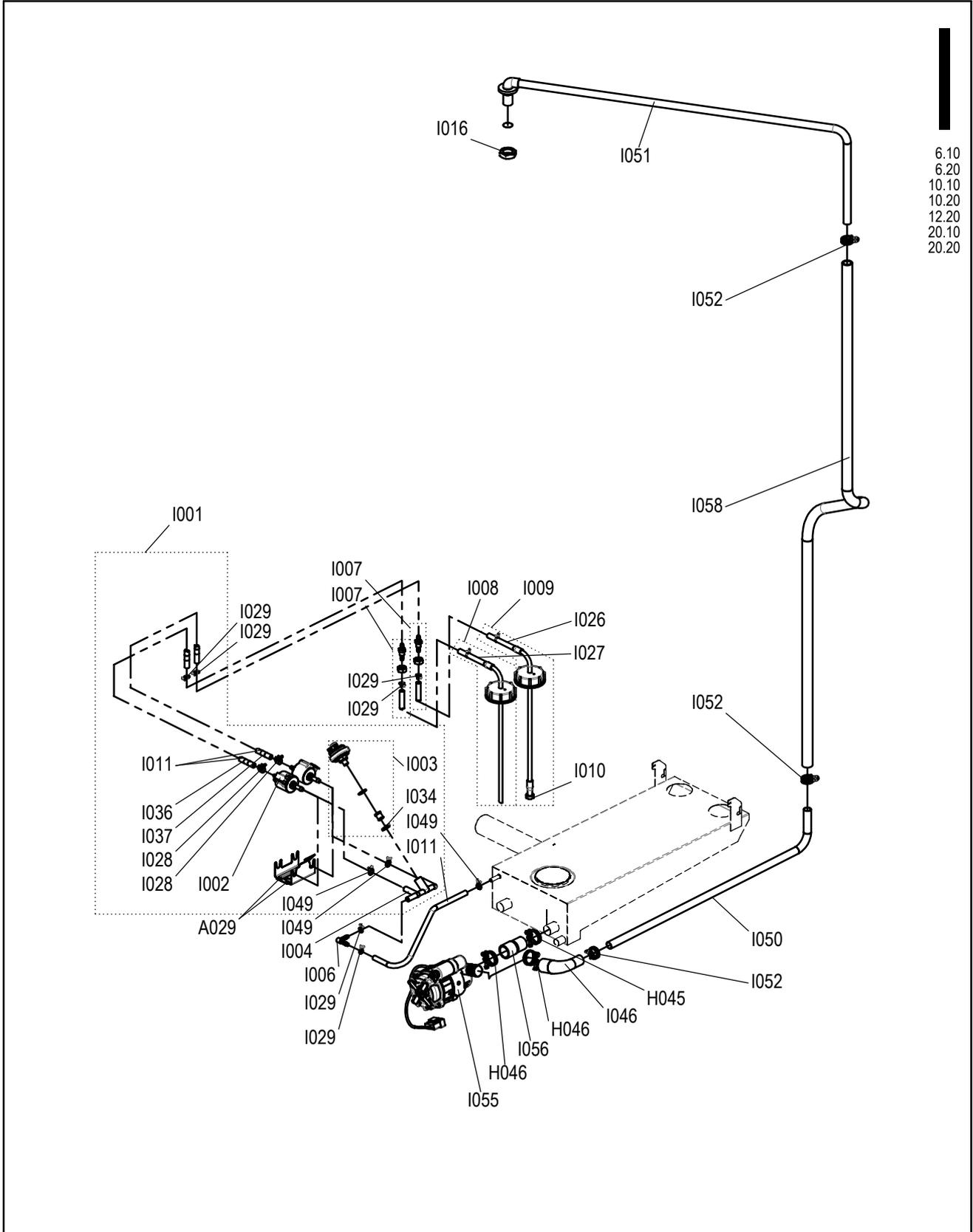
Laufende Verbesserungen des Produkts können Änderungen der Spezifikationen ohne expliziten Hinweis bedingen. Continuous improvements to the product may mean changes to the specification are made without explicit mention.
9965002_04 Jul 27, 15Feb 01, 19 © 2018

| | | | | | | |
|-----|--------------|------------|----------|-------|------------|----------|
| 03 | aktualisiert | Jul 03, 18 | aneumeie | Drawn | 30.07.2015 | aruhdorf |
| 04 | aktualisiert | Feb 01, 19 | aneumeie | App. | Feb 01, 19 | aneumeie |
| Rev | Remarks | Date | Name | | Date | Name |



| | | | | | | |
|-----|--------------|------------|----------|-------|------------|----------|
| 02 | AM 2017/050 | Jul 18, 17 | aneumeie | Drawn | Sep 03, 15 | aruhdorf |
| 03 | aktualisiert | Jul 03, 18 | aneumeie | App. | Jul 03, 18 | aneumeie |
| Rev | Remarks | Date | Name | | Date | Name |

Laufende Verbesserungen des Produkts können Änderungen der Spezifikationen ohne expliziten Hinweis bedingen. Continuous improvements to the product may mean changes to the specification are made without explicit mention.
 9965014_03 Jul 03, 18 © 2018

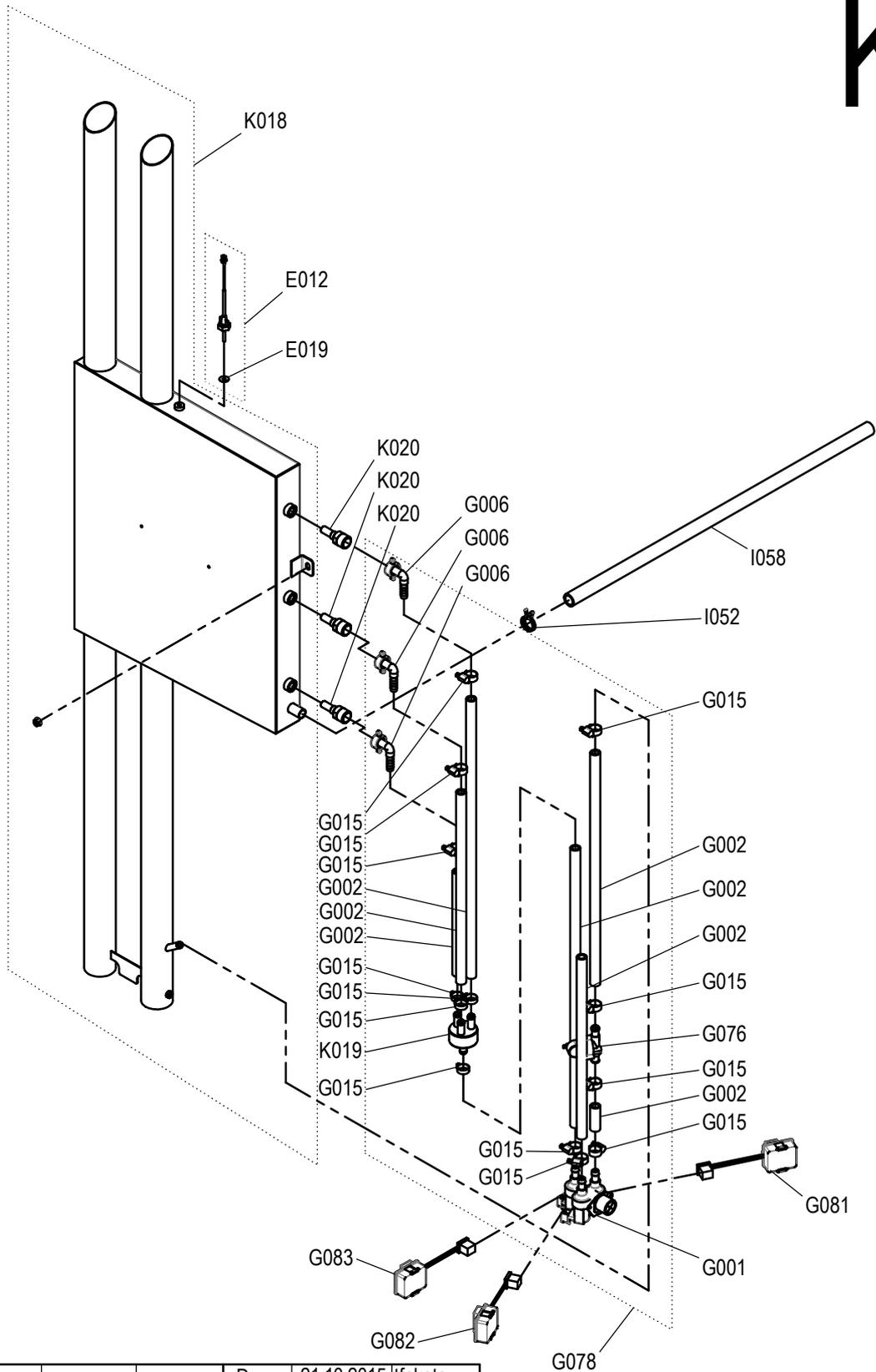


Laufende Verbesserungen des Produkts können Änderungen der Spezifikationen ohne expliziten Hinweis bedingen. Continuous improvements to the product may mean changes to the specification are made without explicit mention.
9965004_03 Jul 27, 15.Jul 18, 17 © 2018

| 02 | AM 2016/014 | Jul 07, 16 | aneumeie | Drawn | Aug 04, 15 | aruhdorf |
|-----|-------------|------------|----------|-------|------------|----------|
| 03 | AM 2017/050 | Jul 18, 17 | aneumeie | App. | Jul 18, 17 | aneumeie |
| Rev | Remarks | Date | Name | | Date | Name |

K

6.10
6.20
10.10
10.20
12.20
20.10
20.20



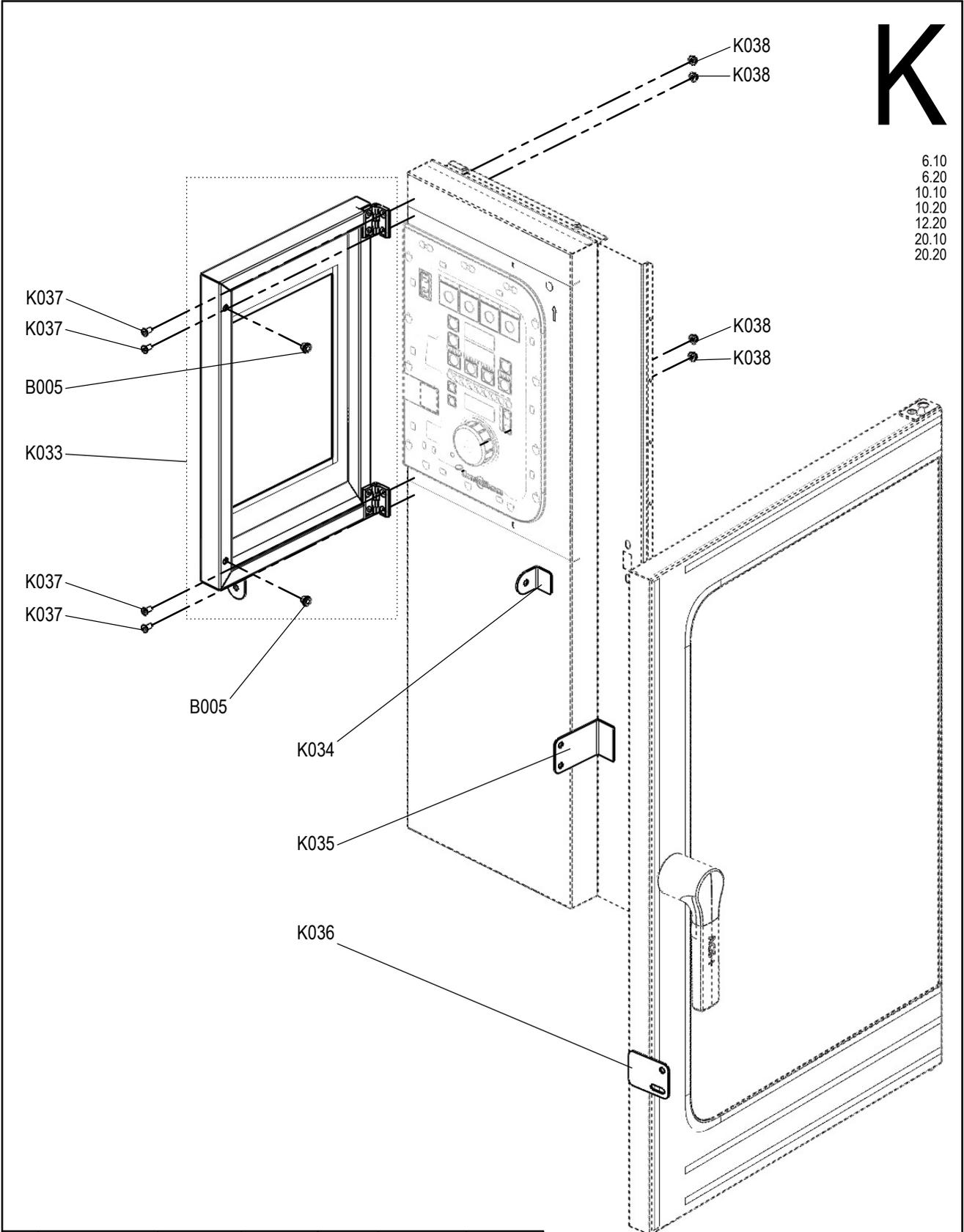
| | | | | Drawn | 21.10.2015 | tfekete |
|-----|------------|------------|----------|-------|------------|----------|
| 00 | Z-Freigabe | Nov 09, 15 | aruhdorf | App. | Nov 09, 15 | aruhdorf |
| Rev | Remarks | Date | Name | | Date | Name |

Laufende Verbesserungen des Produkts können Änderungen der Spezifikationen ohne expliziten Hinweis bedingen. Continuous improvements to the product may mean changes to the specification are made without explicit mention.
 9965029_00 Nov 09, 15 © 2018



K

6.10
6.20
10.10
10.20
12.20
20.10
20.20



Laufende Verbesserungen des Produkts können Änderungen der Spezifikationen ohne expliziten Hinweis bedingen. Continuous improvements to the product may mean changes to the specification are made without explicit mention.
9965027_00 Nov 11, 15 © 2018

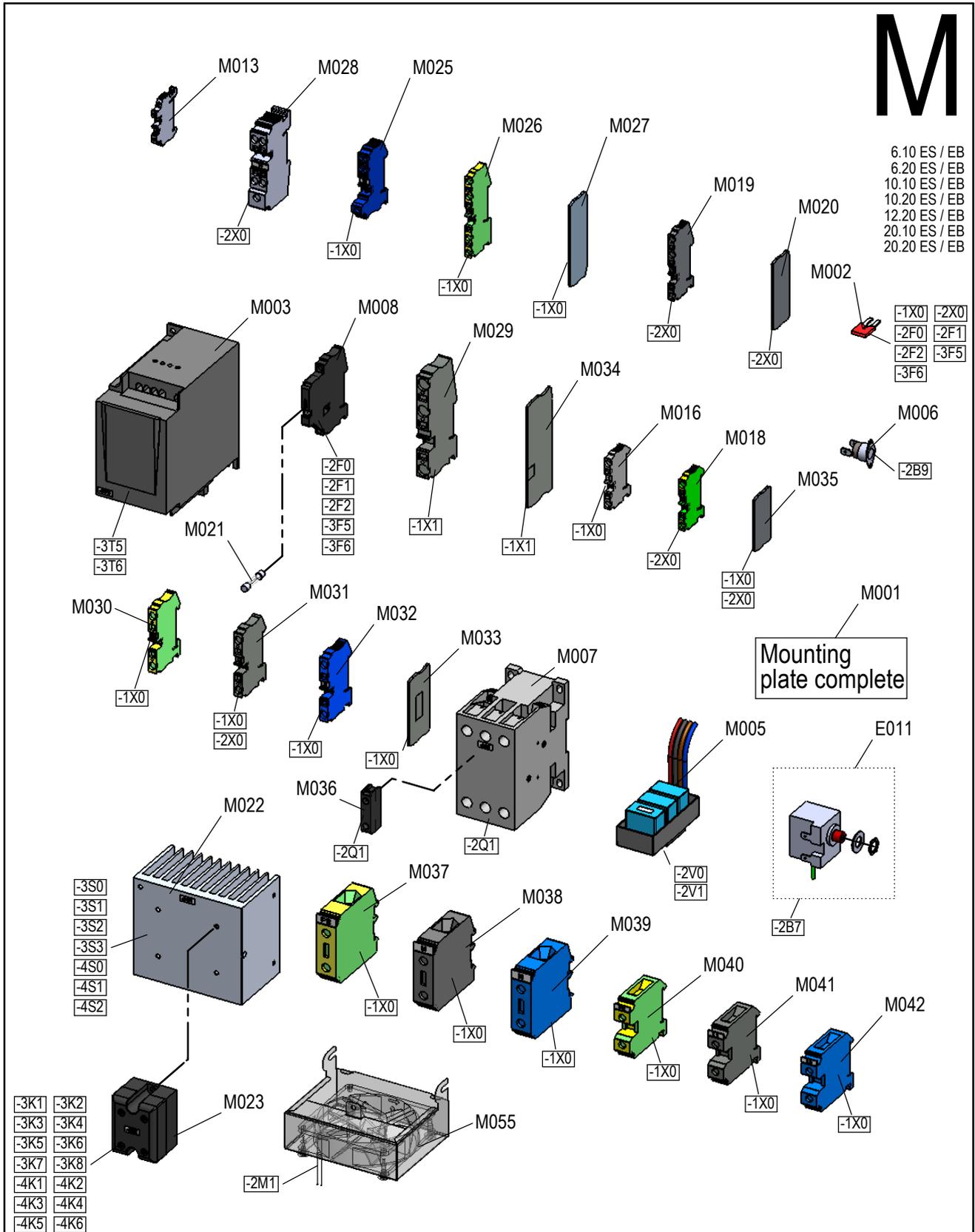
| | | | | | | |
|-----|------------|------------|---------|-------|------------|----------|
| 00 | Z-Freigabe | Nov 11, 15 | tfekete | Drawn | Nov 10, 15 | aruhdorf |
| Rev | Remarks | Date | Name | App. | Nov 11, 15 | tfekete |



M

6.10 ES / EB
6.20 ES / EB
10.10 ES / EB
10.20 ES / EB
12.20 ES / EB
20.10 ES / EB
20.20 ES / EB

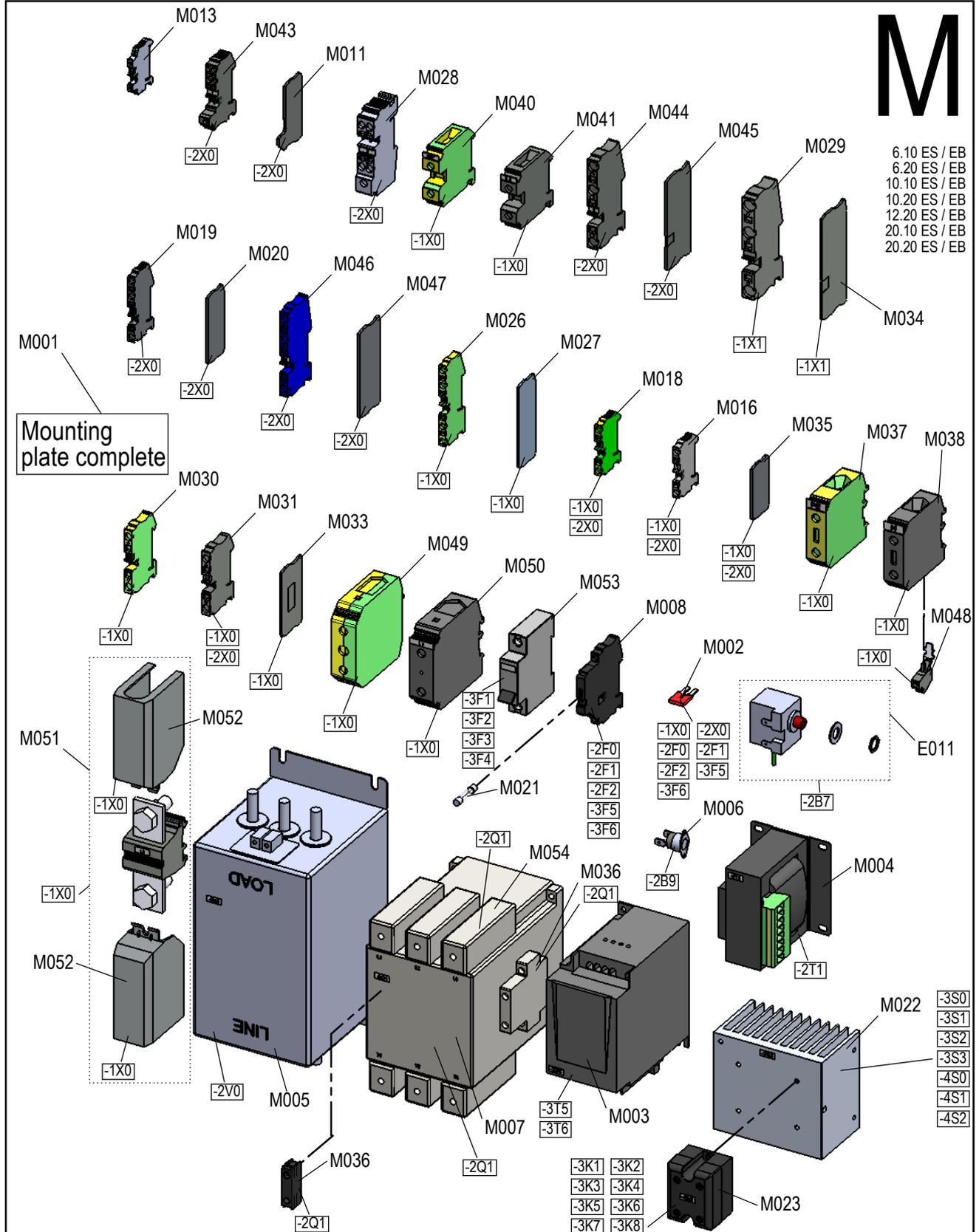
Laufende Verbesserungen des Produkts können Änderungen der Spezifikationen ohne expliziten Hinweis bedingen. Continuous improvements to the product may mean changes to the specification are made without explicit mention.



| 02 | AM 2018/017 | Mar 12, 18 | aneumeie | Drawn | 21.10.2015 | aruhdorf |
|-----|--------------|------------|----------|-------|------------|----------|
| 03 | aktualisiert | Jul 17, 18 | aneumeie | App. | Jul 17, 18 | aneumeie |
| Rev | Remarks | Date | Name | | Date | Name |

M

- 6.10 ES / EB
- 6.20 ES / EB
- 10.10 ES / EB
- 10.20 ES / EB
- 12.20 ES / EB
- 20.10 ES / EB
- 20.20 ES / EB



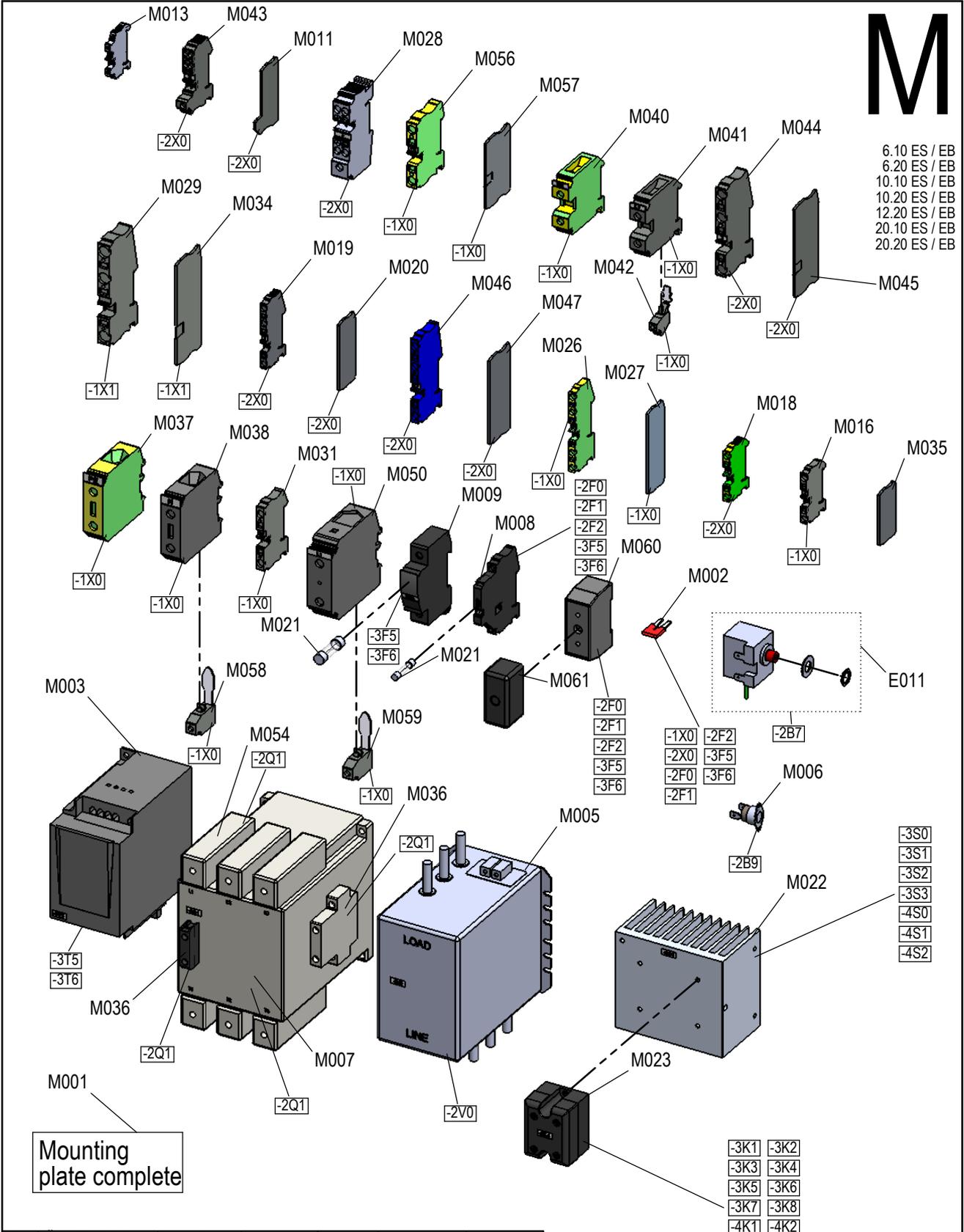
Laufende Verbesserungen des Produkts können Änderungen der Spezifikationen ohne expliziten Hinweis bedingen. Continuous improvements to the product may mean changes to the specification are made without explicit mention. 9965017_03 © 2015 Manitowoc.

| Rev | Remarks | Date | Name | Drawn | Date | Name |
|-----|--------------|------------|----------|-------|------------|----------|
| 02 | AM 2016/014 | Jul 07, 16 | aneumeie | Drawn | 26.10.2015 | aruhdorf |
| 03 | aktualisiert | Jul 17, 18 | aneumeie | App. | Jul 17, 18 | aneumeie |

M

6.10 ES / EB
6.20 ES / EB
10.10 ES / EB
10.20 ES / EB
12.20 ES / EB
20.10 ES / EB
20.20 ES / EB

Laufende Verbesserungen des Produkts können Änderungen der Spezifikationen ohne expliziten Hinweis bedingen. Continuous improvements to the product may mean changes to the specification are made without explicit mention. 9965026_02 © 2015 Manitowoc.



| | | | | | | |
|-----|--------------|------------|----------|-------|------------|----------|
| 01 | AM 2016/005 | Jan 27, 16 | aneumeie | Drawn | 28.10.2015 | aruhdorf |
| 02 | aktualisiert | Jul 17, 18 | aneumeie | App. | Jul 17, 18 | aneumeie |
| Rev | Remarks | Date | Name | | Date | Name |

| # | ET-Nr. Part No | Description | Beschreibung | Elektro | Gas | 6.10 | 6.20 | 10.10 | 10.20 | 12.20 | 20.10 | 20.20 | BMK / ID |
|------|-------------------|---|--|---------|-----|------|------|-------|-------|-------|-------|-------|-------------|
| A001 | 2164261 | Left cover 6.10 Con4 | Abdeckung links 6.10 Con4 | x | x | 1 | | | | | | | → 08.2017 |
| A001 | 2665671 | Left cover 6.10 V2 Con4 | Abdeckung links 6.10 V2 Con4 | x | x | 1 | | | | | | | → 09.2017 → |
| A001 | 2164262 | Left cover 6.20 Con4 | Abdeckung links 6.20 Con4 | x | x | | 1 | | | | | | → 08.2017 |
| A001 | 2665672 | Left cover 6.20 V2 Con4 | Abdeckung links 6.20 V2 Con4 | x | x | | 1 | | | | | | → 09.2017 → |
| A001 | 2164263 | Left cover 10.10 Con4 | Abdeckung links 10.10 Con4 | x | x | | | 1 | | | | | → 08.2017 |
| A001 | 2665673 | Left cover 10.10 V2 Con4 | Abdeckung links 10.10 V2 Con4 | x | x | | | 1 | | | | | → 09.2017 → |
| A001 | 2164264 | Left cover 10.20 Con4 | Abdeckung links 10.20 Con4 | x | x | | | | 1 | | | | → 08.2017 |
| A001 | 2665674 | Left cover 10.20 V2 Con4 | Abdeckung links 10.20 V2 Con4 | x | x | | | | 1 | | | | → 09.2017 → |
| A001 | 2164265 | Left cover 12.20 Con4 | Abdeckung links 12.20 Con4 | x | x | | | | | 1 | | | → 08.2017 |
| A001 | 2665675 | Left cover 12.20 V2 Con4 | Abdeckung links 12.20 V2 Con4 | x | x | | | | | 1 | | | → 09.2017 → |
| A001 | 2164266 | Left cover 20.10 Con4 | Abdeckung links 20.10 Con4 | x | x | | | | | | 1 | | → 08.2017 |
| A001 | 2665676 | Left cover 20.10 V2 Con4 | Abdeckung links 20.10 V2 Con4 | x | x | | | | | | 1 | | → 09.2017 → |
| A001 | 2164267 | Left cover 20.20 Con4 | Abdeckung links 20.20 Con4 | x | x | | | | | | | 1 | → 08.2017 |
| A001 | 2665677 | Left cover 20.20 V2 Con4 | Abdeckung links 20.20 V2 Con4 | x | x | | | | | | | 1 | → 09.2017 → |
| A002 | 2161809NP | Rear panel 6.10 Con4 | Rückwand 6.10 Con4 | x | x | 1 | | | | | | | |
| A002 | 2161807NP | Rear panel 6.20 Con4 | Rückwand 6.20 Con4 | x | x | | 1 | | | | | | |
| A002 | 2161908NP | Rear panel 10.10 Con4 | Rückwand 10.10 Con4 | x | x | | | 1 | | | | | |
| A002 | 2161904NP | Rear panel 10.20 Con4 | Rückwand 10.20 Con4 | x | x | | | | 1 | | | | |
| A002 | 2161903NP | Rear panel 12.20 Con4 | Rückwand 12.20 Con4 | x | x | | | | | 1 | | | |
| A002 | 2161865NP | Rear panel 20.10 Con4 | Rückwand 20.10 Con4 | x | x | | | | | | 1 | | |
| A002 | 2161864NP | Rear panel 20.20 Con4 | Rückwand 20.20 Con4 | x | x | | | | | | | 1 | |
| A003 | 2151066NP | Frontpart 6.10 Con4 | Frontteil 6.10 Con4 | x | x | 1 | | | | | | | |
| A003 | 2151219NP | Frontpart 6.20 Con4 | Frontteil 6.20 Con4 | x | x | | 1 | | | | | | |
| A003 | 2151192NP | Frontpart 10.10 Con4 | Frontteil 10.10 Con4 | x | x | | | 1 | | | | | |
| A003 | 2151108NP | Frontpart 10.20 Con4 | Frontteil 10.20 Con4 | x | x | | | | 1 | | | | |
| A003 | 2151270NP | Frontpart 12.20 Con4 | Frontteil 12.20 Con4 | x | x | | | | | 1 | | | |
| A003 | 2151246NP | Frontpart 20.10 Con4 | Frontteil 20.10 Con4 | x | x | | | | | | 1 | | |
| A003 | 2151154NP | Frontpart 20.20 Con4 | Frontteil 20.20 Con4 | x | x | | | | | | | 1 | |
| A003 | 2163008NP | Frontpart 6.10 Sous Vide Con4 | Frontteil 6.10 Sous Vide Con4 | x | x | 1 | | | | | | | |
| A003 | 2163006NP | Frontpart 6.20 Sous Vide Con4 | Frontteil 6.20 Sous Vide Con4 | x | x | | 1 | | | | | | |
| A003 | 2163010NP | Frontpart 10.10 Sous Vide Con4 | Frontteil 10.10 Sous Vide Con4 | x | x | | | 1 | | | | | |
| A003 | 2163011NP | Frontpart 10.20 Sous Vide Con4 | Frontteil 10.20 Sous Vide Con4 | x | x | | | | 1 | | | | |
| A003 | 2163012NP | Frontpart 12.20 Sous Vide Con4 | Frontteil 12.20 Sous Vide Con4 | x | x | | | | | 1 | | | |
| A003 | 2163013NP | Frontpart 20.10 Sous Vide Con4 | Frontteil 20.10 Sous Vide Con4 | x | x | | | | | | 1 | | |
| A003 | 2163014NP | Frontpart 20.20 Sous Vide Con4 | Frontteil 20.20 Sous Vide Con4 | x | x | | | | | | | 1 | |
| A005 | 2161833NP | Top cover electric 6.10 / 10.10 right hinged Con4 | Decke Elektro 6.10 / 10.10 Rechtsanschlag Con4 | x | | 1 | | 1 | | | | | |
| A005 | 2161834NP | Top cover electric 6.20 / 10.20 right hinged Con4 | Decke Elektro 6.20 / 10.20 Rechtsanschlag Con4 | x | | | 1 | | 1 | | | | |
| A005 | 2161836NP | Top cover electric 10.10 right hinged Con4 | Decke Elektro 10.10 Rechtsanschlag Con4 | x | | | | 1 | | | | 1 | |
| A005 | 2161835NP | Top cover electric 12.20 / 20.20 right hinged Con4 | Decke Elektro 12.20 / 20.20 Rechtsanschlag Con4 | x | | | | | | 1 | | | 1 |
| A005 | 2161863NP | Top cover electric 6.10 / 10.10 disappearing door Con4 | Decke Elektro 6.10 / 10.10 Verschwindetüre Con4 | x | | 1 | | 1 | | | | | |
| A005 | 2161866NP | Top cover electric 6.20 / 10.20 disappearing door Con4 | Decke Elektro 6.20 / 10.20 Verschwindetüre Con4 | x | | | 1 | | 1 | | | | |
| A005 | 2161868NP | Top cover electric 20.10 disappearing door Con4 | Decke Elektro 20.10 Verschwindetüre Con4 | x | | | | | | | 1 | | |
| A005 | 2161867NP | Top cover electric 12.20 / 20.20 disappearing door Con4 | Decke Elektro 12.20 / 20.20 Verschwindetüre Con4 | x | | | | | | 1 | | 1 | |
| A005 | 2161842NP | Top cover gas sprayer 6.10 / 10.10 right hinged Con4 | Decke Gas Spritzer 6.10 / 10.10 Rechtsanschlag Con4 | x | | 1 | | 1 | | | | | |
| A005 | 2161879NP | Top cover gas sprayer 6.20 / 10.20 right hinged Con4 | Decke Gas Spritzer 6.20 / 10.20 Rechtsanschlag Con4 | x | | | 1 | | 1 | | | | |
| A005 | 2161880NP | Top cover gas sprayer 12.20 right hinged Con4 | Decke Gas Spritzer 12.20 Rechtsanschlag Con4 | x | | | | | | 1 | | | |
| A005 | 2161881NP | Top cover gas sprayer 20.10 right hinged Con4 | Decke Gas Spritzer 20.10 Rechtsanschlag Con4 | x | | | | | | | 1 | | |
| A005 | 2161882NP | Top cover gas sprayer 20.20 right hinged Con4 | Decke Gas Spritzer 20.20 Rechtsanschlag Con4 | x | | | | | | | | 1 | |
| A005 | 2161874NP | Top cover gas sprayer 6.10 / 10.10 disapp. door Con4 | Decke Gas Spritzer 6.10 / 10.10 Verschwindetüre Con4 | x | | 1 | | 1 | | | | | |
| A005 | 2161875NP | Top cover gas sprayer 6.20 / 10.20 disapp. door Con4 | Decke Gas Spritzer 6.20 / 10.20 Verschwindetüre Con4 | x | | | 1 | | 1 | | | | |
| A005 | 2161876NP | Top cover gas sprayer 12.20 disappearing door Con4 | Decke Gas Spritzer 12.20 Verschwindetüre Con4 | x | | | | | | 1 | | | |
| A005 | 2161877NP | Top cover gas sprayer 20.10 disappearing door Con4 | Decke Gas Spritzer 20.10 Verschwindetüre Con4 | x | | | | | | | 1 | | |
| A005 | 2161878NP | Top cover gas sprayer 20.20 disappearing door Con4 | Decke Gas Spritzer 20.20 Verschwindetüre Con4 | x | | | | | | | | 1 | |
| A005 | 2161837NP | Top cover gas boiler 6.10 / 10.10 right hinged Con4 | Decke Gas Boiler 6.10 / 10.10 Rechtsanschlag Con4 | x | | 1 | | 1 | | | | | |
| A005 | 2161838NP | Top cover gas boiler 6.20 / 10.20 right hinged Con4 | Decke Gas Boiler 6.20 / 10.20 Rechtsanschlag Con4 | x | | | 1 | | 1 | | | | |
| A005 | 2161839NP | Top cover gas boiler 12.20 right hinged Con4 | Decke Gas Boiler 12.20 Rechtsanschlag Con4 | x | | | | | | 1 | | | |
| A005 | 2161840NP | Top cover gas boiler 20.10 right hinged Con4 | Decke Gas Boiler 20.10 Rechtsanschlag Con4 | x | | | | | | | 1 | | |
| A005 | 2161841NP | Top cover gas boiler 20.20 right hinged Con4 | Decke Gas Boiler 20.20 Rechtsanschlag Con4 | x | | | | | | | | 1 | |
| A005 | 2161869NP | Top cover gas boiler 6.10 / 10.10 disapp. door Con4 | Decke Gas Boiler 6.10 / 10.10 Verschwindetüre Con4 | x | | 1 | | 1 | | | | | |
| A005 | 2161870NP | Top cover gas boiler 6.20 / 10.20 disapp. door Con4 | Decke Gas Boiler 6.20 / 10.20 Verschwindetüre Con4 | x | | | 1 | | 1 | | | | |
| A005 | 2161871NP | Top cover gas boiler 12.20 disappearing door Con4 | Decke Gas Boiler 12.20 Verschwindetüre Con4 | x | | | | | | | 1 | | |
| A005 | 2161872NP | Top cover gas boiler 20.10 disappearing door Con4 | Decke Gas Boiler 20.10 Verschwindetüre Con4 | x | | | | | | | | 1 | |
| A005 | 2161873NP | Top cover gas boiler 20.20 disappearing door Con4 | Decke Gas Boiler 20.20 Verschwindetüre Con4 | x | | | | | | | | | 1 |
| A006 | 2161823NP | Cover Drainbox for Table Top Model Con4 | Abdeckung Abwasserbox für Tischgeräte Con4 | x | x | 1 | 1 | 1 | 1 | | | | |
| A006 | 2161825NP | Cover Drainbox 20.10 Con4 | Abdeckung Abwasserbox 20.10 Con4 | x | x | | | | | | | 1 | |
| A006 | 2161902NP | Cover Drainbox 12.20 20.20 Con4 | Abdeckung Abwasserbox 12.20/20.20 Con4 | x | x | | | | | 1 | | 1 | |
| A007 | 5056314 | Halogen lamp G4 10W Con4 | Halogenlampe G4 10W Con4 | x | x | 1 | 1 | 1 | 1 | 1 | 2 | 2 | -3P0 |
| A008 | 5056317 | Cooking chamber light frame incl. glass Con4 | Garraumlampe inkl. Glas Con4 | x | x | 1 | 1 | 1 | 1 | 1 | 2 | 2 | |
| A009 | 7056338 | Door gasket 6.10 Con4 | Türdichtung 6.10 Con4 | x | x | 1 | | | | | | | |
| A009 | 7056339 | Door gasket 6.20 Con4 | Türdichtung 6.20 Con4 | x | x | | 1 | | | | | | |
| A009 | 7056340 | Door gasket 10.10 Con4 | Türdichtung 10.10 Con4 | x | x | | | 1 | | | | | |
| A009 | 7056341 | Door gasket 10.20 Con4 | Türdichtung 10.20 Con4 | x | x | | | | 1 | | | | |
| A009 | 7056342 | Door gasket 12.20 Con4 | Türdichtung 12.20 Con4 | x | x | | | | | 1 | | | |
| A009 | 7056343 | Door gasket 20.10 Con4 | Türdichtung 20.10 Con4 | x | x | | | | | | 1 | | |
| A009 | 7056344 | Door gasket 20.20 Con4 | Türdichtung 20.20 Con4 | x | x | | | | | | | 1 | |
| A010 | 2251352NP | Suction Panel Electric Sprayer 6.10 Con4 | Ansaugblech Elektro Spritzer 6.10 Con4 | x | | 1 | | | | | | | |
| A010 | 2251353NP | Suction Panel Electric Boiler 6.10 Con4 | Ansaugblech Elektro Boiler 6.10 Con4 | x | | 1 | | | | | | | |
| A010 | 2265863NP | Suction Panel Electric Sprayer 6.10 Bakery Con4 | Ansaugblech Elektro Spritzer 6.10 Bäckerei Con4 | x | | 1 | | | | | | | |
| A010 | 2251363NP | Suction Panel Electric Sprayer 6.20 Con4 | Ansaugblech Elektro Spritzer 6.20 Con4 | x | | | 1 | | | | | | |
| A010 | 2251362NP | Suction Panel Electric Boiler 6.20 Con4 | Ansaugblech Elektro Boiler 6.20 Con4 | x | | | | 1 | | | | | |
| A010 | 2251373NP | Suction Panel Electric Sprayer 10.10 Con4 | Ansaugblech Elektro Spritzer 10.10 Con4 | x | | | | 1 | | | | | |
| A010 | 2251372NP | Suction Panel Electric Boiler 10.10 Con4 | Ansaugblech Elektro Boiler 10.10 Con4 | x | | | | | 1 | | | | |
| A010 | 2251452NP | Suction Panel Electric Sprayer 10.10 Bakery Con4 | Ansaugblech Elektro Spritzer 10.10 Bäckerei Con4 | x | | | | 1 | | | | | |
| A010 | 2251383NP | Suction Panel Electric Sprayer 10.20 Con4 | Ansaugblech Elektro Spritzer 10.20 Con4 | x | | | | | 1 | | | | |
| A010 | 2251382NP | Suction Panel Electric Boiler 10.20 Con4 | Ansaugblech Elektro Boiler 10.20 Con4 | x | | | | | | 1 | | | |
| A010 | 2251393NP | Suction Panel Electric Sprayer 12.20 Con4 | Ansaugblech Elektro Spritzer 12.20 Con4 | x | | | | | | 1 | | | |
| A010 | 2251392NP | Suction Panel Electric Boiler 12.20 Con4 | Ansaugblech Elektro Boiler 12.20 Con4 | x | | | | | | | 1 | | |
| A010 | 2251403NP | Suction Panel Electric Sprayer 20.10 Con4 | Ansaugblech Elektro Spritzer 20.10 Con4 | x | | | | | | | | 1 | |
| A010 | 2251402NP | Suction Panel Electric Boiler 20.10 Con4 | Ansaugblech Elektro Boiler 20.10 Con4 | x | | | | | | | | 1 | |
| A010 | 2251413NP | Suction Panel Electric Sprayer 20.20 Con4 | Ansaugblech Elektro Spritzer 20.20 Con4 | x | | | | | | | | | 1 |
| A010 | 2251412NP | Suction Panel Electric Boiler 20.20 Con4 | Ansaugblech Elektro Boiler 20.20 Con4 | x | | | | | | | | | 1 |
| A010 | 2251351NP | Suction Panel Gas Sprayer 6.10 Con4 | Ansaugblech Gas Spritzer 6.10 Con4 | x | | 1 | | | | | | | |
| A010 | 2251350NP | Suction Panel Gas Boiler 6.10 Con4 | Ansaugblech Gas Boiler 6.10 Con4 | x | | 1 | | | | | | | |
| A010 | 2251361NP | Suction Panel Gas Sprayer 6.20 Con4 | Ansaugblech Gas Spritzer 6.20 Con4 | x | | | 1 | | | | | | |
| A010 | 2251360NP | Suction Panel Gas Boiler 6.20 Con4 | Ansaugblech Gas Boiler 6.20 Con4 | x | | | | 1 | | | | | |
| A010 | 2251371NP | Suction Panel Gas Sprayer 10.10 Con4 | Ansaugblech Gas Spritzer 10.10 Con4 | x | | | | 1 | | | | | |

| # | ET-Nr. Part No | Description | Beschreibung | Elektro | Gas | 6.10 | 6.20 | 10.10 | 10.20 | 12.20 | 20.10 | 20.20 | BMK / ID |
|------|-------------------|---|---|-----------------------------|-----|------|------|-------|-------|-------|-------|-------|-----------|
| A010 | 2251370NP | Suction Panel Gas Boiler 10.10 Con4 | Ansaugblech Gas Boiler 10.10 Con4 | | x | | | 1 | | | | | |
| A010 | 2251381NP | Suction Panel Gas Sprayer 10.20 Con4 | Ansaugblech Gas Spritzer 10.20 Con4 | | x | | | | 1 | | | | |
| A010 | 2251380NP | Suction Panel Gas Boiler 10.20 Con4 | Ansaugblech Gas Boiler 10.20 Con4 | | x | | | | 1 | | | | |
| A010 | 2251391NP | Suction Panel Gas Sprayer 12.20 Con4 | Ansaugblech Gas Spritzer 12.20 Con4 | | x | | | | | 1 | | | |
| A010 | 2251390NP | Suction Panel Gas Boiler 12.20 Con4 | Ansaugblech Gas Boiler 12.20 Con4 | | x | | | | | 1 | | | |
| A010 | 2251401NP | Suction Panel Gas Sprayer 20.10 Con4 | Ansaugblech Gas Spritzer 20.10 Con4 | | x | | | | | | 1 | | |
| A010 | 2251400NP | Suction Panel Gas Boiler 20.10 Con4 | Ansaugblech Gas Boiler 20.10 Con4 | | x | | | | | | 1 | | |
| A010 | 2251411NP | Suction Panel Gas Sprayer 20.20 Con4 | Ansaugblech Gas Spritzer 20.20 Con4 | | x | | | | | | | 1 | |
| A010 | 2251410NP | Suction Panel Gas Boiler 20.20 Con4 | Ansaugblech Gas Boiler 20.20 Con4 | | x | | | | | | | 1 | |
| A011 | 2251301 | Shelf Rack left 6.10 GN Con4 | Einhängegestell links 6.10 GN Con4 | x | x | 1 | | | | | | | |
| A011 | 2251303 | Shelf Rack left 6.20 GN Con4 | Einhängegestell links 6.20 GN Con4 | x | x | | 1 | | | | | | |
| A011 | 2251305 | Shelf Rack left 10.10 GN Con4 | Einhängegestell links 10.10 GN Con4 | x | x | | | 1 | | | | | |
| A011 | 2251307 | Shelf Rack left 10.20 GN Con4 | Einhängegestell links 10.20 GN Con4 | x | x | | | | 1 | | | | |
| A011 | 2255010 | Baker Rack left 6.10 BG Con4 | Bäcker Einhängestell links 6.10 BG Con4 | x | x | 1 | | | | | | | |
| A011 | 2255012 | Baker Rack left 6.20 BG Con4 | Bäcker Einhängestell links 6.20 BG Con4 | x | x | | 1 | | | | | | |
| A011 | 2255014 | Baker Rack left 10.10 BG Con4 | Bäcker Einhängestell links 10.10 BG Con4 | x | x | | | 1 | | | | | |
| A011 | 2255016 | Baker Rack left 10.20 BG Con4 | Bäcker Einhängestell links 10.20 BG Con4 | x | x | | | | 1 | | | | |
| A011 | 2251327 | Shelf Rack left 6.10 Marine GN Con4 | Einhängegestell links 6.10 Marine GN Con4 | x | x | 1 | | | | | | | |
| A011 | 2251328 | Shelf Rack left 6.20 Marine GN Con4 | Einhängegestell links 6.20 Marine GN Con4 | x | x | | 1 | | | | | | |
| A011 | 2251329 | Shelf Rack left 10.10 Marine GN Con4 | Einhängegestell links 10.10 Marine GN Con4 | x | x | | | 1 | | | | | |
| A011 | 2251330 | Shelf Rack left 10.20 Marine GN Con4 | Einhängegestell links 10.20 Marine GN Con4 | x | x | | | | 1 | | | | |
| A011 | 2265694 | Shelf Rack left 6.10 Marine -30mm GN Con4 | Einhängegestell links 6.10 Marine -30mm GN Con4 | x | x | 1 | | | | | | | |
| A011 | 2265696 | Shelf Rack left 10.10 Marine -30mm GN Con4 | Einhängegestell links 10.10 Marine -30mm GN Con4 | x | x | | | 1 | | | | | |
| A011 | 2255059 | Baker Rack left 6.10 BG Marine Con4 | Bäcker Einhängestell links 6.10 BG Marine Con4 | x | x | 1 | | | | | | | |
| A011 | 2255060 | Baker Rack left 6.20 BG Marine Con4 | Bäcker Einhängestell links 6.20 BG Marine Con4 | x | x | | 1 | | | | | | |
| A011 | 2255061 | Baker Rack left 10.10 BG Marine Con4 | Bäcker Einhängestell links 10.10 BG Marine Con4 | x | x | | | 1 | | | | | |
| A011 | 2255062 | Baker Rack left 10.20 BG Marine Con4 | Bäcker Einhängestell links 10.20 BG Marine Con4 | x | x | | | | 1 | | | | |
| A012 | 3310394 | Handle for Trolley 12.20/20.20 Con4 | Griff für Beschickungswagen 12.20/20.20 Con4 | x | x | | | | | 1 | | | |
| A012 | 3315244 | Handle for Trolley 20.10 Con4 | Griff für Beschickungswagen 20.10 Con4 | x | x | | | | | | 1 | | |
| A012 | 2251302 | Shelf Rack right 6.10 GN Con4 | Einhängegestell rechts 6.10 GN Con4 | x | x | 1 | | | | | | | |
| A012 | 2251304 | Shelf Rack right 6.20 GN Con4 | Einhängegestell rechts 6.20 GN Con4 | x | x | | 1 | | | | | | |
| A012 | 2251306 | Shelf Rack right 10.10 GN Con4 | Einhängegestell rechts 10.10 GN Con4 | x | x | | | 1 | | | | | |
| A012 | 2251308 | Shelf Rack right 10.20 GN Con4 | Einhängegestell rechts 10.20 GN Con4 | x | x | | | | 1 | | | | |
| A012 | 2255011 | Baker Rack right 6.10 BG Con4 | Bäcker Einhängestell rechts 6.10 BG Con4 | x | x | 1 | | | | | | | |
| A012 | 2255013 | Baker Rack right 6.20 BG Con4 | Bäcker Einhängestell rechts 6.20 BG Con4 | x | x | | 1 | | | | | | |
| A012 | 2255015 | Baker Rack right 10.10 BG Con4 | Bäcker Einhängestell rechts 10.10 BG Con4 | x | x | | | 1 | | | | | |
| A012 | 2255017 | Baker Rack right 10.20 BG Con4 | Bäcker Einhängestell rechts 10.20 BG Con4 | x | x | | | | 1 | | | | |
| A012 | 2265695 | Shelf Rack left 6.10 Marine -30mm GN Con4 | Einhängegestell links 6.10 Marine -30mm GN Con4 | x | x | 1 | | | | | | | |
| A012 | 2265697 | Shelf Rack left 10.10 Marine -30mm GN Con4 | Einhängegestell links 10.10 Marine -30mm GN Con4 | x | x | | | 1 | | | | | |
| A013 | 5056325 | 4-Point core temperature probe 3.0m Con4 | 4-Punkt Kerntemperaturfühler 3.0m Con4 | x | x | 1 | 1 | 1 | 1 | 1 | 1 | 1 | -3B10 |
| A014 | 6015026 | Seal for core temperature sensor P3 Con4 | Dichtung für Kerntemperaturfühler P3 Con4 | x | x | 1 | 1 | 1 | 1 | 1 | 1 | 1 | |
| A015 | 2009047 | Mount for cable core temperature probe Con4 | Haltebuegel für KTM-Fühlerleitung Con4 | x | x | 1 | 1 | 1 | 1 | 1 | 1 | 1 | |
| A015 | 2050895 | Repairset Mount for cable core temperature probe Con4 | Reparaturset Haltebuegel für KTM-Fühlerleitung Con4 | x | x | 1 | 1 | 1 | 1 | 1 | 1 | 1 | |
| A016 | 6064285 | Suction Pipe Dehumidification 6.10/6.20 Con4 | Ansaugrohr Entfeuchtung 6.10/6.20 Con4 | x | x | 1 | 1 | | | | | | |
| A016 | 6064286 | Suction Pipe Dehumidification 12.20 Con4 | Ansaugrohr Entfeuchtung 12.20 Con4 | x | x | | | | | 1 | | | |
| A016 | 6064287 | Suction Pipe Dehumidification 10.10/10.20/20.10/20.20 Con4 | Ansaugrohr Entfeuchtung 10.10/10.20/20.10/20.20 Con4 | x | x | | | 1 | 1 | 1 | 1 | | |
| A017 | 2161847 | Cover Airbox incl. fan Con4 | Abdeckung Zuluftkasten inkl. Lüfter Con4 | x | x | 1 | 1 | 1 | 1 | 1 | 1 | 1 | |
| A018 | 5056318 | Extra fan P3 Con4 | Zusatzlüfter P3 Con4 | x | x | 1 | 1 | 1 | 1 | 1 | 2 | 2 | -2M0 |
| A018 | 2118786 | Stacking kit Fan Sunon 92x92mm Con4 | Stapelkit Lüfter Sunon 92x92mm Con4 | x | x | 2 | 2 | 2 | 2 | | | | |
| A019 | 6064289 | Adjustable foot table top model Marine 150x50x100 Con4 | Gerätefuß einstellbar Tischgerät Marine 150x50x100 Con4 | x | x | 4 | 4 | 4 | 4 | | | | |
| A019 | 6056353 | Adjustable foot table top model 150x50x100 Con4 | Gerätefuß einstellbar Tischgerät 150x50x100 Con4 | x | x | 4 | 4 | 4 | 4 | | | | |
| A019 | 6064137 | Adjustable foot for Floor Models 50x50 Con4 150x50x100 P4 | Gerätefuß Standgeräte 50x50 Con4 | x | x | | | | | 4 | 4 | 4 | |
| A019 | 6051061 | Punch in foot 50x50 Marine flange Ø89 Con4 | Einschlagsteilfuß 50x50 Marine Flansch Ø89 Con4 | x | | | | | | 4 | 4 | 4 | |
| A019 | 6064137 | Adjustable punch in foot 50x50 square Stacking Kit Con4 | Einschlagsteilfuß 50x50 vierkant Stapelkit Con4 | x | x | 4 | 4 | 4 | 4 | | | | |
| A019 | 3264851 | Adjustable foot 40x40 for stand Con4 | Einschlagsteilfuß 40x40 für Untergestell Con4 | x | x | 1 | 1 | 1 | 1 | | | | |
| A022 | 6014052 | Guide roller 125x32 mm with rocker arm and total stop P3 Con4 | Lenkrolle 125x32mm mit Kipphebel u Totalstopp P3 Con4 | x | x | | | | | 2 | 2 | 2 | |
| A023 | 6014050 | Swivel caster 125x32 mm without rocker arm and total stop P3 Con4 | Lenkrolle 125x32mm ohne Kipphebel u Totalstopp P3 Con4 | x | x | | | | | 2 | 2 | 2 | |
| A024 | 3015000 | Collector tray for trolley plastic 20.10 P3 Con4 | Sammelwanne Kunststoff 20.10 P3 Con4 | x | x | | | | | | 1 | | |
| A024 | 3015001 | Collector tray for trolley plastic 12.20/20.20 P3 Con4 | Sammelwanne Kunststoff 12.20/20.20 P3 Con4 | x | x | | | | | 1 | | 1 | |
| A025 | 2004234 | Slide-in retainer key for loading cart P3 Con4 | Einfahrkeil für Beschickungswagen P3 Con4 | x | x | | | | | 2 | 2 | 2 | |
| A029 | 7003066 | Gasket 9x3mm | Dichtungsband 9x3mm | x | x | 1 | 1 | 1 | 1 | 1 | 1 | 1 | |
| A030 | 5065721 | Cable gland M25, Ø 11-17mm | Kabelverschraubung M25, Ø 11-17mm | x | x | 1 | 1 | 1 | 1 | 1 | 1 | 1 | |
| A030 | 5065730 | Cable gland M25 red., Ø 5-13mm 3~ 200V | Kabelverschraubung M25 red., Ø 5-13mm 3~ 200V | x | x | 1 | 1 | 1 | 1 | 1 | 1 | 1 | |
| A030 | 5065722 | Cable gland M32, Ø 15-21mm | Kabelverschraubung M32, Ø 15-21mm | x | x | 1 | 1 | | | | | | |
| A030 | 5065723 | Cable gland M32 brass, Ø 18-27mm 3~ 200V | Kabelverschraubung M32 Messing, Ø 18-27mm 3~ 200V | x | x | | 1 | | | | | | |
| A030 | 5065724 | Cable gland M40, Ø 19-28mm | Kabelverschraubung M40, Ø 19-28mm | x | x | 1 | 1 | | 1 | | | | |
| A030 | 5065725 | Cable gland M40 brass, Ø 24-34mm 3~ 200V | Kabelverschraubung M40 Messing, Ø 24-34mm 3~ 200V | x | x | 1 | 1 | | 1 | | | | |
| A030 | 5065726 | Cable gland M50, Ø 30-38mm | Kabelverschraubung M50, Ø 30-38mm | x | x | | | | | | 1 | | |
| A030 | 5065729 | Cable gland M63 red., Ø 28-39mm | Kabelverschraubung M63 red., Ø 28-39mm | x | x | | | | | 1 | | | |
| A030 | 5065727 | Cable gland M63, Ø 34-44mm | Kabelverschraubung M63, Ø 34-44mm | x | x | | | | | | | 1 | |
| A030 | 5065728 | Cable gland M63 brass, Ø 39-48mm 3~ 200V | Kabelverschraubung M63 Messing, Ø 39-48mm 3~ 200V | x | x | | | | | | | 1 | |
| A031 | 6056349 | O-Ring Boiler Con4 | O-Ring Boiler Con4 | x | x | 1 | 1 | 1 | 1 | 1 | 1 | 1 | |
| A032 | 6056496 | Grommet 50mm for Top Cover Con4 | Membrantülle 50mm für Außendecke Con4 | x | x | 2 | 2 | 2 | 2 | 3 | 3 | 3 | |
| A032 | H042 | 6063043 | Mounting Set Ventilation Pipe Con4 | Montage-Set Abluftrohr Con4 | x | x | 1 | 1 | 1 | 1 | 1 | 1 | |
| A035 | 5056315 | Cooking chamber light socket Con4 | Garraumlampe Fassung G4 Con4 | x | x | 1 | 1 | 1 | 1 | 1 | 2 | 2 | -3P0 -1P1 |
| A037 | 2151045NP | Orifice bottom 6.10 / 10.10 Con4 | Blende unten 6.10/10.10 Con4 | x | x | 1 | 1 | | | | | | |
| A037 | 2151046NP | Orifice bottom 6.20 / 10.20 Con4 | Blende unten 6.20/10.20 Con4 | x | x | | 1 | | | | | | |
| A037 | 2151048NP | Orifice bottom 20.10 Con4 | Blende unten 20.10 Con4 | x | x | | | | | 1 | | | |
| A037 | 2151047NP | Orifice bottom 12.20 / 20.20 Con4 | Blende unten 12.20/20.20 Con4 | x | x | | | | | | 1 | 1 | |
| A038 | 2056497 | Block for trolley Con4 (retrofit P3) | Klotz für Beschickungswagen Con4 (Nachrüst. P3) | x | x | | | | | | 1 | 1 | |
| A039 | 5064010 | Sousvide probe 1-Point 1.1m Con4 | Sousvide Fühler 1-Punkt 1.1mCon4 | x | x | 1 | 1 | 1 | 1 | 1 | 1 | 1 | -3B11 |
| A039 | 5064012 | 1-Point external core temperature probe 1.1m Con4 | 1-Punkt externer Kerntemperaturfühler 1.1m Con4 | x | x | 1 | 1 | 1 | 1 | 1 | 1 | 1 | -3B11 |
| A040 | 5064011 | Plug Socket Wire Sousvide Probe Con4 | Kupplung Leitung Sousvide Fühler Con4 | x | x | 1 | 1 | 1 | 1 | 1 | 1 | 1 | -3B11 |
| A040 | 5065080 | Plug Socket Wire Sousvide Probe UL Con4 | Kupplung Leitung Sousvide Fühler UL Con4 | x | x | 1 | 1 | 1 | 1 | 1 | 1 | 1 | |
| A041 | 2164201 | Rails left + right x.20 Con4 | Einfahrschiene links + rechts x.20Con4 | x | x | | | | | 1 | 1 | | |
| A041 | 2164202 | Rails left + right 20.10 Con4 | Einfahrschiene links + rechts 20.10 Con4 | x | x | | | | | | 1 | | |
| A042 | 2161988 | Cover Pumps 6.10/10.10 Con4 | Pumpenabdeckung 6.10/10.10 Con4 | x | x | 1 | 1 | | | | | | |
| A042 | 2161989 | Cover Pumps 6.20/10.20 Con4 | Pumpenabdeckung 6.20/10.20 Con4 | x | x | | 1 | | 1 | | | | |
| A042 | 2161990 | Cover Pumps 12.20/20.10/20.20 Con4 | Pumpenabdeckung 12.20/20.10/20.20 Con4 | x | x | | | 1 | 1 | | | | |
| A042 | 2161812NP | Pump cover 6.10/10.10 Con4 | Pumpenabdeckung 6.10/10.10 Con4 | x | x | 1 | 1 | | | | | | |
| A042 | 2161894NP | Pump cover 6.20/10.20 Con4 | Pumpenabdeckung 6.20/10.20 Con4 | x | x | | 1 | | 1 | | | | |
| A042 | 2161819NP | Pump cover 12.20/20.10/20.20 Con4 | Pumpenabdeckung 12.20/20.10/20.20 Con4 | x | x | | | | | 1 | 1 | 1 | |
| A043 | 5051999 | Core temperature probe holder 12.20/20.10/20.20 Con4 | KTM-Halter 12.20/20.10/20.20 Con4 | x | x | | | | | | 1 | 1 | 1 |
| A043 | 5050893 | Repairset core temperature probe holder 12.20/20.10/20.20 Con4 | Reparaturset KTM-Halter 12.20/20.10/20.20 Con4 | x | x | | | | | | 1 | 1 | 1 |
| A044 | 2556345 | Drip tray 6.10/10.10 Con4 | Gerätetropfwanne 6.10/10.10 Con4 | x | x | 1 | 1 | | | | | | |

| # | ET-Nr. Part No | Description | Beschreibung | Elektro | Gas | 6.10 | 6.20 | 10.10 | 10.20 | 12.20 | 20.10 | 20.20 | BMK / ID |
|------|-------------------|---|---|---------|-----|------|------|-------|-------|-------|-------|-------|----------|
| A044 | 2556346 | Drip tray 6.20/10.20 Con4 | Gerätetropfwanne 6.20/10.20 Con4 | x | x | | 1 | | 1 | | | | |
| A045 | 5056941 | Smoker Heating element 240V 280W CE, UL Con4 | Smoker-Heizung 240V 280W CE, UL Con4 | x | x | 1 | 1 | 1 | 1 | | | | -3E3 |
| A045 | 5056942 | Smoker Heating element 208V 280W UL Con4 | Smoker-Heizung 208V 280W UL Con4 | x | x | 1 | 1 | 1 | 1 | | | | -3E3 |
| A046 | 2064039 | Drain sieve innerchamber Con4 | Ablaufsieb Garraum Con4 | x | x | 1 | 1 | 1 | 1 | 1 | 1 | 1 | |
| A047 | 6056943 | Mount. set Smoker heatingelement CON4 | Bef. Set Smoker Heizelement CON4 | x | x | 1 | 1 | 1 | 1 | | | | |
| A048 | 2664268 | counterflange smoker heatingelement Con4 | Gegenflansch Smoker Heizelement Con4 | x | x | 1 | 1 | 1 | 1 | | | | |
| A049 | 2161937NP | Side cover right 6.10 right hinged Con4 | Seitenteil rechts 6.10 Rechtsanschlag Con4 | x | x | 1 | | | | | | | |
| A049 | 2161910NP | Side cover right 6.20 right hinged Con4 | Seitenteil rechts 6.20 Rechtsanschlag Con4 | x | x | | 1 | | | | | | |
| A049 | 2161801NP | Side cover right 10.10 right hinged Con4 | Seitenteil rechts 10.10 Rechtsanschlag Con4 | x | x | | | 1 | | | | | |
| A049 | 2161938NP | Side cover right 10.20 right hinged Con4 | Seitenteil rechts 10.20 Rechtsanschlag Con4 | x | x | | | | 1 | | | | |
| A049 | 2161942NP | Side cover right 12.20 right hinged Con4 | Seitenteil rechts 12.20 Rechtsanschlag Con4 | x | x | | | | | 1 | | | |
| A049 | 2161941NP | Side cover right 20.10 right hinged Con4 | Seitenteil rechts 20.10 Rechtsanschlag Con4 | x | x | | | | | | 1 | | |
| A049 | 2161939NP | Side cover right 20.20 right hinged Con4 | Seitenteil rechts 20.20 Rechtsanschlag Con4 | x | x | | | | | | | 1 | |
| A049 | 2161918NP | Side cover right 6.10 disappearing door Con4 | Seitenteil rechts 6.10 Verschwindetüre Con4 | x | x | 1 | | | | | | | |
| A049 | 2161916NP | Side cover right 6.20 disappearing door Con4 | Seitenteil rechts 6.20 Verschwindetüre Con4 | x | x | | 1 | | | | | | |
| A049 | 2161914NP | Side cover right 10.10 disappearing door Con4 | Seitenteil rechts 10.10 Verschwindetüre Con4 | x | x | | | 1 | | | | | |
| A049 | 2161920NP | Side cover right 10.20 disappearing door Con4 | Seitenteil rechts 10.20 Verschwindetüre Con4 | x | x | | | | 1 | | | | |
| A049 | 2161926NP | Side cover right 12.20 disappearing door Con4 | Seitenteil rechts 12.20 Verschwindetüre Con4 | x | x | | | | | 1 | | | |
| A049 | 2161924NP | Side cover right 20.10 disappearing door Con4 | Seitenteil rechts 20.10 Verschwindetüre Con4 | x | x | | | | | | 1 | | |
| A049 | 2161922NP | Side cover right 20.20 disappearing door Con4 | Seitenteil rechts 20.20 Verschwindetüre Con4 | x | x | | | | | | | 1 | |
| A049 | 2161848NP | Side cover right 6.10 disappearing door Marine Con4 | Seitenteil rechts 6.10 Verschwindetüre Marine Con4 | x | x | 1 | | | | | | | |
| A049 | 2161857NP | Side cover right 6.20 disappearing door Marine Con4 | Seitenteil rechts 6.20 Verschwindetüre Marine Con4 | x | x | | 1 | | | | | | |
| A049 | 2161858NP | Side cover right 10.10 disappearing door Marine Con4 | Seitenteil rechts 10.10 Verschwindetüre Marine Con4 | x | x | | | 1 | | | | | |
| A049 | 2161859NP | Side cover right 10.20 disappearing door Marine Con4 | Seitenteil rechts 10.20 Verschwindetüre Marine Con4 | x | x | | | | 1 | | | | |
| A049 | 2161860NP | Side cover right 12.20 disappearing door Marine Con4 | Seitenteil rechts 12.20 Verschwindetüre Marine Con4 | x | x | | | | | 1 | | | |
| A049 | 2161861NP | Side cover right 20.10 disappearing door Marine Con4 | Seitenteil rechts 20.10 Verschwindetüre Marine Con4 | x | x | | | | | | 1 | | |
| A049 | 2161862NP | Side cover right 20.20 disappearing door Marine Con4 | Seitenteil rechts 20.20 Verschwindetüre Marine Con4 | x | x | | | | | | | 1 | |
| A050 | 6056326 | Dehumidification flap incl. Grommet valve Con4 | Entfeuchtungsklappe inkl. Dichtung Con4 | x | x | 1 | 1 | 1 | 1 | 1 | 1 | 1 | -3M9 |
| A050 | 6056827 | Dehumidification flap 6.10 Gas incl. Grommet valve Con4 | Entfeuchtungsklappe 6.10 Gas inkl. Dichtung Con4 | x | x | 1 | | | | | | | -3M9 |
| A051 | 6056327 | Gasket set for dehumidification flap Con4 | Dichtungs-Set für Entfeuchtungsklappe Con4 | x | x | 1 | 1 | 1 | 1 | 1 | 1 | 1 | -3M9 |
| A052 | 5056977 | RC-Filter 0.15µF 120 Ohm Dehumid Flap Con4 | RC-Filter 0.15µF 120 Ohm Entfeuchtungsklappe Con4 | x | x | 1 | 1 | 1 | 1 | 1 | 1 | 1 | |
| A053 | 5056316 | Cooking chamber light seal (Set 5 pcs) Con4 | Garraumlampe Flächdichtung Set 5st. Con4 | x | x | 1 | 1 | 1 | 1 | 1 | 1 | 2 | |
| A054 | 2151680NP | Bracket reinforcement 6.10/6.20 Con4 | Klobenversteifung 6.10/6.20 Con4 | x | x | 1 | 1 | | | | | | |
| A054 | 2151681NP | Bracket reinforcement 10.10/10.20 Con4 | Klobenversteifung 10.10/10.20 Con4 | x | x | | | 1 | 1 | | | | |
| A054 | 2151682NP | Bracket reinforcement 12.20 Con4 | Klobenversteifung 12.20 Con4 | x | x | | | | | 1 | | | |
| A054 | 2151683NP | Bracket reinforcement 20.10 Con4 | Klobenversteifung 20.10 Con4 | x | x | | | | | | 1 | | |
| A054 | 2151689NP | Bracket reinforcement 20.20 Con4 | Klobenversteifung 20.20 Con4 | x | x | | | | | | | 1 | |
| A055 | 2151051NP | Airbox for Table Top Model Con4 | Zuluftkasten für Tischgeräte Con4 | x | x | 1 | 1 | 1 | 1 | | | | |
| A055 | 2151175NP | Airbox for Floor Model Con4 | Zuluftkasten für Standgeräte Con4 | x | x | | | | | | 1 | 1 | |
| A056 | 8064124 | Flat head screw M4x10 A2 5 pc. Con4 | Senkschraube M4x10 A2 5 Stück Con4 | x | x | 1 | 1 | 1 | 1 | 1 | 1 | 1 | |
| A057 | 6064053 | Adapter G 3/4 female x 3/4-11.5 male Brass USA Con4 | Adapter 3/4" Messing für USA Con4 | x | x | 1 | 1 | 1 | 1 | 1 | 1 | 1 | |
| A058 | 8009022 | Sheet metal nut 14x11mm 4,8 Con4 | Blechmutter 14x11mm 4,8 Con4 | x | x | 2 | 2 | 2 | 2 | 2 | 2 | 2 | |
| A058 | 8064587 | sheet metal nut 14x11mm M5 Con4 | Blechmutter 14x11mm M5 Con4 | x | x | x | x | x | x | x | x | x | |
| A059 | 8051285 | Hexagon head tapping screw 4.8x32 A2 tabletop models Con4 | Sechskant-Blechschrabe 4.8x32 A2 Tischgeräte Con4 | x | x | 2 | 2 | 2 | 2 | | | | |
| A059 | 8051284 | Hexagon head tapping screw 4.8x80 A2 floor models Con4 | Sechskant-Blechschrabe 4.8x80 A2 Standgeräte Con4 | x | x | | | | | 2 | 2 | 2 | |
| A059 | 8064588 | hexagon screw M5x75 DIN931 A2 Con4 | Sechskantschraube M5x75 DIN931 A2 Con4 | x | x | x | x | x | x | x | x | x | |
| A060 | 6005041 | Closing plug 50x50mm | Abschlußstopfen 50 x 50mm | x | x | | | | | 2 | 2 | 2 | |
| A061 | 5063048 | Spacer sheet cooking chamber light Con4 | Garraumlampe Beilegblech Con4 | x | x | 1 | 1 | 1 | 1 | 1 | 2 | 2 | |
| A062 | 3465085 | Support Set Trolley Handle Panel mounted Con4 | Halter Set Schiebegriff Beschickungswagen Seitenteil Montage Con4 | x | x | | | | | | 1 | 1 | 1 |
| A064 | 2550469 | Sieve insert Appliance drip tray Bakery Table top Models CON4 | Siebeinsatz Gerätetropfwanne Bäckerei Tischgerät CON4 | x | x | 1 | 1 | | | | | | |
| Acs | 3264130 | Threaded Bolt 4 pc. for Stand Con4 | Gewindebolzen 4 Stück Ø8 für Untergestell Con4 | x | x | 1 | 1 | 1 | 1 | | | | |
| Acs | 3464149 | Signal Tower Cable 10m with plug M12 Con4 | Signalturn Kabel 10m mit Buchse M12 Con4 | x | x | 1 | 1 | 1 | 1 | 1 | 1 | 1 | |
| Acs | 3464150 | Signal Tower mounting bracket Con4 | Signalturn Befestigungswinkel Con4 | x | x | 1 | 1 | 1 | 1 | 1 | 1 | 1 | |
| Acs | 3463075 | Set Multitool Con4 | Set Multitool Con4 | x | x | 1 | 1 | 1 | 1 | 1 | 1 | 1 | |
| Acs | 3264155 | Ball catch for stand Con4 | Kugelschnapper kpl für Untergestell Con4 | x | x | 1 | 1 | 1 | 1 | | | | |
| Acs | 3464219 | Holding Angel Cleaner Boxes Con4 | Haltewinkel für Behälter Reinigerkanister Con4 | x | x | 1 | 1 | 1 | 1 | 1 | 1 | 1 | |
| Acs | 2665151 | Draft diverter 20.20 Gas cpl Con4 | Abgasführungsadapter 20.20 Gas kpl Con4 | x | x | | | | | | | 1 | |
| Acs | 2665153 | Draft diverter 20.10 Gas cpl Con4 | Abgasführungsadapter 20.10 Gas kpl Con4 | x | x | | | | | | 1 | | |
| Acs | 2655684 | Fireplace baffle Gas Sprayer 6.10, 10.10 Con4 | Kaminprallblech Gas Spritzer 6.10, 10.10 Con4 | x | x | 1 | 1 | | | | | | |
| Acs | 2655689 | Fireplace baffle Gas Boiler 6.10, 10.10 Con4 | Kaminprallblech Gas Boiler 6.10, 10.10 Con4 | x | x | 1 | 1 | | | | | | |
| Acs | 2655685 | Fireplace baffle Gas Sprayer 6.20 Con4 | Kaminprallblech Gas Spritzer 6.20 Con4 | x | x | 1 | | | | | | | |
| Acs | 2655690 | Fireplace baffle Gas Boiler 6.20 Con4 | Kaminprallblech Gas Boiler 6.20 Con4 | x | x | 1 | | | | | | | |
| Acs | 2655686 | Fireplace baffle Gas Sprayer 10.20, 12.20 Con4 | Kaminprallblech Gas Spritzer 10.20, 12.20 Con4 | x | x | | | | 1 | 1 | | | |
| Acs | 2655691 | Fireplace baffle Gas Boiler 10.20, 12.20 Con4 | Kaminprallblech Gas Boiler 10.20, 12.20 Con4 | x | x | | | | | 1 | 1 | | |
| Acs | 2655687 | Fireplace baffle Gas 20.10 Con4 | Kaminprallblech Gas 20.10 Con4 | x | x | | | | | | 1 | | |
| Acs | 2655688 | Fireplace baffle Gas 20.20 Con4 | Kaminprallblech Gas 20.20 Con4 | x | x | | | | | | | 1 | |
| Acs | 2164555 | Grease filter Cooling Fan Tabletop Models Con4 | Fettfilter Zuluftkasten Tischgeräte Con4 | x | x | 1 | 1 | 1 | 1 | | | | |
| Acs | 2165401 | Drip Tray Drainbox Overflow Con4 | Auffangwanne Abwasserbox Überlauf Con4 | x | x | 1 | 1 | 1 | 1 | 1 | 1 | 1 | |
| Acs | 5011002 | Water distribution P3, mini, Con4 | Wasserverteiler P3, mini, Con4 | x | x | 1 | 1 | 1 | 1 | 1 | 1 | 1 | |
| Acs | 2664128 | Floor anchor floor-standing units Con4 | Bodenbefestigung Standgeräte Con4 | x | x | | | | | | 1 | 1 | 1 |
| Acs | 3463090 | Spacer floor-standing units 100mm Wall clearance Con4 | Abstandshalter Standgeräte 100mm Wandabstand Con4 | x | x | | | | | | | 1 | 1 |
| Acs | 3463091 | Spacer floor-standing units 200mm Wall clearance Con4 | Abstandshalter Standgeräte 200mm Wandabst Con4 | x | x | | | | | | | 1 | 1 |
| Acs | 3465490 | Kit sedimentfilter unit side mini, Con4 | Set Sedimentfilter geräteseitig mini, Con4 | x | x | 1 | 1 | 1 | 1 | 1 | 1 | 1 | |
| Acs | 3466388 | Set exhaust pipe separator Con4 | Set Rohrtrenner Abluft Con4 | x | x | 1 | 1 | 1 | 1 | 1 | 1 | 1 | |
| Acs | 2064218 | Mounting Set Gas Pipe Con4 | Befestigungsset Gasleitung Con4 | x | x | 1 | 1 | 1 | 1 | 1 | | | |
| Acs | 6006230 | Backflow Preventer 3/4" - optional | Rückflussverhinderer 3/4" - optional | x | x | 1 | 1 | 1 | 1 | 1 | 1 | 1 | |
| B001 | 2556820 | Door 6.10 Con4 | Türe 6.10 Con4 | x | x | 1 | | | | | | | |
| B001 | 2556821 | Door 6.20 Con4 | Türe 6.20 Con4 | x | x | | 1 | | | | | | |
| B001 | 2556822 | Door 10.10 Con4 | Türe 10.10 Con4 | x | x | | | 1 | | | | | |
| B001 | 2556823 | Door 10.20 Con4 | Türe 10.20 Con4 | x | x | | | | 1 | | | | |
| B001 | 2556824 | Door 12.20 Con4 | Türe 12.20 Con4 | x | x | | | | | 1 | | | |
| B001 | 2556825 | Door 20.10 Con4 | Türe 20.10 Con4 | x | x | | | | | | 1 | | |
| B001 | 2556826 | Door 20.20 Con4 | Türe 20.20 Con4 | x | x | | | | | | | 1 | |
| B001 | 2564093 | Disappearing Door 6.10 Con4 | Verschwindetüre 6.10 Con4 | x | x | 1 | | | | | | | |
| B001 | 2564094 | Disappearing Door 6.20 Con4 | Verschwindetüre 6.20 Con4 | x | x | | 1 | | | | | | |
| B001 | 2564095 | Disappearing Door 10.10 Con4 | Verschwindetüre 10.10 Con4 | x | x | | | 1 | | | | | |
| B001 | 2564096 | Disappearing Door 10.20 Con4 | Verschwindetüre 10.20 Con4 | x | x | | | | 1 | | | | |
| B001 | 2564097 | Disappearing Door 12.20 Con4 | Verschwindetüre 12.20 Con4 | x | x | | | | | 1 | | | |
| B001 | 2564098 | Disappearing Door 20.10 Con4 | Verschwindetüre 20.10 Con4 | x | x | | | | | | 1 | | |
| B001 | 2564099 | Disappearing Door 20.20 Con4 | Verschwindetüre 20.20 Con4 | x | x | | | | | | | 1 | |
| B001 | 2564278 | Disappearing Door 20.10 JVA complete Con4 | Tür 20.10 Verschwindetür JVA kpl Con4 | x | x | | | | | | | 1 | |
| B001 | 2564279 | Disappearing Door 20.20 JVA complete Con4 | Tür 20.20 Verschwindetür JVA kpl Con4 | x | x | | | | | | | | 1 |
| B002 | 2656813 | Inner door 6.10 Con4 | Innentüre 6.10 Con4 | x | x | 1 | | | | | | | |
| B002 | 2656814 | Inner door 6.20 Con4 | Innentüre 6.20 Con4 | x | x | | 1 | | | | | | |
| B002 | 2656815 | Inner door 10.10 Con4 | Innentüre 10.10 Con4 | x | x | | | 1 | | | | | |
| B002 | 2656816 | Inner door 10.20 Con4 | Innentüre 10.20 Con4 | x | x | | | | 1 | | | | |

| # | ET-Nr. Part No | Description | Beschreibung | Elektro | Gas | 6.10 | 6.20 | 10.10 | 10.20 | 12.20 | 20.10 | 20.20 | BMK / ID |
|------|-------------------|---|--|---------|-----|------|------|-------|-------|-------|-------|-------|----------|
| B002 | 2656817 | Inner door 12.20 Con4 | Innentüre 12.20 Con4 | x | x | | | | | 1 | | | |
| B002 | 2656818 | Inner door 20.10 Con4 | Innentüre 20.10 Con4 | x | x | | | | | | 1 | | |
| B002 | 2656819 | Inner door 20.20 Con4 | Innentüre 20.20 Con4 | x | x | | | | | | | 1 | |
| B003 | 6056809 | Door handle Floor Model Con4 | Türgriff Standgeräte Con4 | x | x | | | | | 1 | 1 | 1 | |
| B003 | 6056384 | Door handle Table Top Model Con4 | Türgriff Tischgeräte Con4 | x | x | 1 | 1 | 1 | 1 | | | | |
| B004 | 6056369 | Innerdoor bracket Set for Table Top Model Con4 | Innentür Halteklammer Set für Tischgerät Con4 | x | x | 2 | 2 | 2 | 2 | | | | |
| B004 | 6056812 | Innerdoor bracket Set for Table Floor Model Con4 | Innentür Halteklammer Set für Standgerät Con4 | x | x | | | | | 2 | 2 | 2 | |
| B005 | 6056370 | Door buffer Set 4 pc. for Table Top Model Con4 | Türpuffer 4 Stück für Tischgerät Con4 | x | x | 4 | 4 | 4 | 4 | | | | |
| B005 | 6056811 | Door buffer 2 pc. for Floor Model Con4 | Türpuffer 2 Stück für Standgeräte Con4 | x | x | | | | | 2 | 2 | 2 | |
| B006 | 6056383 | Door spacer for Floor Model Con4 | Tür-Abstandshalter für Standgerät Con4 | x | x | | | | | 4 | 4 | 4 | |
| B007 | 6064160 | Upper bottom Hinge part inner door 12.20/20.10/20.20 Con4 | Scharnierunterteil oben Innentüre 12.20/20.10/20.20 Con4 | x | x | | | | | 1 | 1 | 1 | |
| B008 | 6064161 | Lower bottom Hinge part inner door 12.20/20.10/20.20 Con4 | Scharnierunterteil oben Innentüre 12.20/20.10/20.20 Con4 | x | x | | | | | 1 | 1 | 1 | |
| B009 | 2656838 | Hinge top for Table Top Model right hinged Con4 | Scharnier oben für Tischgerät Rechtsanschlag Con4 | x | x | 1 | 1 | 1 | 1 | | | | |
| B009 | 6056841 | Hinge top for Floor Model right hinged Con4 | Scharnier oben für Standgerät Rechtsanschlag Con4 | x | x | | | | | 1 | 1 | 1 | |
| B009 | 6056842 | Hinge top for Table Top Model disapp. door Con4 | Scharnier oben für Tischgerät Verschwindetüre Con4 | x | x | 1 | 1 | 1 | 1 | | | | |
| B009 | 6056844 | Hinge top for Floor Model disappearing door Con4 | Scharnier oben für Standgerät Verschwindetüre Con4 | x | x | | | | | 1 | 1 | 1 | |
| B010 | 2656839 | Hinge bottom for Table Top Model right hinged Con4 | Scharnier unten für Tischgerät Rechtsanschlag Con4 | x | x | 1 | 1 | 1 | 1 | | | | |
| B010 | 6056840 | Hinge bottom for Floor Model right hinged Con4 | Scharnier unten für Tischgerät Rechtsanschlag Con4 | x | x | | | | | 1 | 1 | 1 | |
| B010 | 6056843 | Hinge bottom for Table Top Model disapp. door Con4 | Scharnier unten für Tischgerät Verschwindetüre Con4 | x | x | 1 | 1 | 1 | 1 | | | | |
| B010 | 6056845 | Hinge bottom for Floor Model disapp. door Con4 | Scharnier unten für Standgerät Verschwindetüre Con4 | x | x | | | | | 1 | 1 | 1 | |
| B011 | 2556336 | Door drip tray 6.20/10.20 Con4 | Türtropfwanne 6.20/10.20 Con4 | x | x | 1 | | 1 | | | | | |
| B011 | 2556335 | Door drip tray 6.10/10.10 Con4 | Türtropfwanne 6.10/10.10 Con4 | x | x | 1 | | 1 | | | | | |
| B012 | 2651704 | Carriage plate 6.x disappearing door complete Con4 | Schlitzenplatte 6.x Verschwindetüre komplet Con4 | x | x | 1 | 1 | | | | | | |
| B012 | 2651705 | Carriage plate 10.x disappearing door complete Con4 | Schlitzenplatte 10.x Verschwindetüre komplet Con4 | x | x | | | 1 | 1 | | | | |
| B012 | 2651706 | Carriage plate 12.20 disappearing door complete Con4 | Schlitzenplatte 12.20 Verschwindetüre komplet Con4 | x | x | | | | | 1 | | | |
| B012 | 2651707 | Carriage plate 20.x disappearing door complete Con4 | Schlitzenplatte 20.x Verschwindetüre komplet Con4 | x | x | | | | | | 1 | 1 | |
| B013 | 2161968NP | Cover panel 6.10/6.20 disappearing door CNS Con4 | Verkleidungsblech 6.10/6.20 CNS Verschwindetüre Con4 | x | x | 1 | 1 | | | | | | |
| B013 | 2161971NP | Cover panel 10.10/10.20 disappearing door CNS Con4 | Verkleidungsblech 10.10/10.20 CNS Verschwindetüre Con4 | x | x | | | 1 | 1 | | | | |
| B013 | 2161974NP | Cover panel 12.20 disappearing door CNS Con4 | Verkleidungsblech 12.20 CNS Verschwindetüre Con4 | x | x | | | | | 1 | | | |
| B013 | 2161965NP | Cover panel 20.10/20.20 disappearing door Con4 | Verkleidungsblech 20.10/20.20 Verschwindetüre Con4 | x | x | | | | | | 1 | 1 | |
| B014 | 6064167 | Grid block carriage plate disappearing door Con4 | Rasterklotz Schlitzenplatte Verschwindetüre Con4 | x | x | 1 | 1 | 1 | 1 | 1 | 1 | 1 | |
| B015 | 2664282 | Upper hinge arm disappearing door Con4 | Scharnierarm oben Verschwindetüre Con4 | x | x | 1 | 1 | 1 | 1 | 1 | 1 | 1 | |
| B016 | 2619141 | Guide roller disappearing door 30x16 P3 Con4 | Führungsrolle Verschwindetüre 30x16 P3 Con4 | x | x | 2 | 2 | 2 | 2 | 2 | 2 | 2 | |
| B017 | 2619156 | Lock block stop disappearing door P3 Con4 | Sicherungsklotz Verschwindetüre P3 Con4 | x | x | 2 | 2 | 2 | 2 | 2 | 2 | 2 | |
| B018 | 2619153 | Door stop disappearing door P3 Con4 | Türanschlag Verschwindetüre P3 Con4 | x | x | 2 | 2 | 2 | 2 | 2 | 2 | 2 | |
| B019 | 6064169 | Support bar Disappearing door complete Con4 | Stützleiste Verschwindetür komplett Con4 | x | x | 1 | 1 | 1 | 1 | 1 | 1 | 1 | |
| B020 | 2664284 | Guide rail x.20 disappearing door Con4 | Fuehrungsschiene x.20 Verschwindetüre Con4 | x | x | 1 | 1 | | | | | | |
| B020 | 2664170 | Guide rail x.10 disappearing door Con4 | Fuehrungsschiene x.10 Verschwindetüre Con4 | x | x | 1 | | 1 | | | 1 | | |
| B021 | 2664000 | Stop Buffer Disappearing door Con4 | Anschlagpuffer Verschwindetüre Con4 | x | x | 1 | 1 | 1 | 1 | 1 | 1 | 1 | |
| B022 | 6064171 | Stopper guidance rail disappearing door Con4 | Stopper Führungsschiene Verschwindetüre Con4 | x | x | 1 | 1 | 1 | 1 | 1 | 1 | 1 | |
| B023 | 2664164 | Guide bracket table top models disappearing door Con4 | Führungsbügel Tischgeräte Verschwindetüre Con4 | x | x | 1 | 1 | 1 | 1 | | | | |
| B023 | 2664165 | Guide bracket floor models disappearing door Con4 | Führungsbügel Standgeräte Verschwindetüre Con4 | x | x | | | | | 1 | 1 | 1 | |
| B024 | 6056498 | Door-Bracket single-stage table top model Con4 | Tür-Kloben einstufig für Tischgerät Con4 | x | x | 1 | 1 | 1 | 1 | | | | |
| B024 | 6056807 | Door-Bracket double-stage table top model Con4 | Tür-Kloben zweistufig für Tischgerät Con4 | x | x | 1 | 1 | 1 | 1 | | | | |
| B024 | 6056499 | Door-Bracket double-stage Floor model Con4 | Tür-Kloben zweistufig für Standgerät Con4 | x | x | | | | | 1 | 1 | 1 | |
| B025 | 5056328 | Door contact switch Con4 | Türkontaktschalter Con4 | x | x | 1 | 1 | 1 | 1 | 1 | 1 | 1 | -600 |
| B026 | 2664040 | Support profile cross gasket door 12.20/20.20 Con4 | Stützprofil Querdichtung Tür 12.20/20.20 Con4 | x | x | | | | | 1 | 1 | 1 | |
| B026 | 2664041 | Support profile cross gasket door 20.10 Con4 | Stützprofil Querdichtung Tür 20.10 Con4 | x | x | | | | | | 1 | | |
| B027 | 7056805 | Crosswise door gasket 12.20/20.20 Con4 | Querdichtung 12.20/20.20 Con4 | x | x | | | | | 1 | | 1 | |
| B027 | 7056806 | Crosswise door gasket 20.10 Con4 | Querdichtung 20.10 Con4 | x | x | | | | | | 1 | | |
| B028 | 6064162 | Backstop door floor models Con4 | Gegenhalter Tür Standgeräte | x | x | | | | | 1 | 1 | 1 | |
| B031 | 6030647 | Double ball catch large stop disappearing door Marine P3 Con4 | Doppelkugelschnapper groß Verschwindetüre Marine P3 Con4 | x | x | 1 | 1 | 1 | 1 | 1 | 1 | 1 | |
| B033 | 6056808 | Support block for table top model Con4 | Stützklotz für Tischgerät Con4 | x | x | 1 | 1 | 1 | 1 | | | | |
| B033 | 6056810 | Cover support block for door Floor Model Con4 | Abdeckung Stützklotz für Tür Standgeräte Con4 | x | x | | | | | 1 | 1 | 1 | |
| B035 | 2664168 | Lower hinge arm disappearing door Con4 | Scharnierarm unten Verschwindetüre Con4 | x | x | 1 | 1 | 1 | 1 | 1 | 1 | 1 | |
| B036 | 6064042 | Label "C" red Con4 | Aufkleber "C" rot Con4 | x | x | 1 | 1 | 1 | 1 | 1 | 1 | 1 | |
| B037 | 2656836 | Sealing panel preheat bridge 20.10 Con4 | Dichtplatte Vorheizbrücke 20.10 Con4 | x | x | | | | | | | 1 | |
| B037 | 2656837 | Sealing panel preheat bridge 12.20/20.20 Con4 | Dichtplatte Vorheizbrücke 12.20/20.20 Con4 | x | x | | | | | | 1 | 1 | |
| B038 | 6064182 | Retracting arm for door V2A Ø15mm, L=390 - 590 mm Con4 | Türfeststeller V2A; Ø15mm, L=390 - 590 mm Con4 | x | x | 1 | 1 | 1 | 1 | 1 | 1 | 1 | |
| B039 | 2564271 | Door 6.10 Right hand Marine cpl Con4 | Tür 6.10 Rechtsanschlag Marine kpl Con4 | x | x | 1 | | | | | | | |
| B039 | 2564272 | Door 6.20 Right hand Marine cpl Con4 | Tür 6.20 Rechtsanschlag Marine kpl Con4 | x | x | | 1 | | | | | | |
| B039 | 2564273 | Door 10.10 Right hand Marine cpl Con4 | Tür 10.10 Rechtsanschlag Marine kpl Con4 | x | x | | | 1 | | | | | |
| B039 | 2564274 | Door 10.20 Right hand Marine cpl Con4 | Tür 10.20 Rechtsanschlag Marine kpl Con4 | x | x | | | | 1 | | | | |
| B039 | 2564275 | Door 12.20 Right hand Marine cpl Con4 | Tür 12.20 Rechtsanschlag Marine kpl Con4 | x | x | | | | | 1 | | | |
| B039 | 2564276 | Door 20.10 Right hand Marine cpl Con4 | Tür 20.10 Rechtsanschlag Marine kpl Con4 | x | x | | | | | | 1 | | |
| B039 | 2564277 | Door 20.20 Right hand Marine cpl Con4 | Tür 20.20 Rechtsanschlag Marine kpl Con4 | x | x | | | | | | | 1 | |
| B040 | 2656828 | Preheat bridge 20.10 Con4 | Vorheizbrücke 20.10 Con4 | x | x | | | | | | | 1 | |
| B040 | 2656829 | Preheat bridge 12.20/20.20 Con4 | Vorheizbrücke 12.20/20.20 Con4 | x | x | | | | | | | 1 | |
| B041 | 2664179 | Base plate door contact switch table top Con4 | Halteblech Türkontaktschalter Tischgeräte Con4 | x | x | 1 | 1 | 1 | 1 | | | | |
| B041 | 2664163 | Door switch mounting plate Con4 | Montageblech Türkontaktschalter Con4 | x | x | 1 | 1 | 1 | 1 | 1 | 1 | 1 | |
| B042 | 2556368 | Fixing set for door drip tray baffle Con4 | Reparatur-Set Türtropfwanne Verschlussklappe Con4 | x | x | 1 | 1 | 1 | 1 | | | | |
| B043 | 2525072 | Door striker stop disappearing door Marine P3 Con4 | Türraster Verschwindetüre Marine P3 Con4 | x | x | 1 | 1 | 1 | 1 | 1 | 1 | 1 | |
| C001 | 5056356 | SIB Control board Con4 | SIB Steuerplatine Con4 | x | x | 1 | 1 | 1 | 1 | 1 | 1 | 1 | -A1 |
| C001 | 6064038 | SIB Control board coated (option) Con4 | SIB Steuerplatine beschichtet (Option) Con4 | x | x | 1 | 1 | 1 | 1 | 1 | 1 | 1 | -A1 |
| C003 | 5064813 | Ethernet Communication Module Set easyDial Con4 | Netzwerk Kommunikationsmodul Set easyDial Con4 | x | x | 1 | 1 | 1 | 1 | 1 | 1 | 1 | |
| C004 | 2618785 | Fixing accessories for controller P2, P3, Con4 | Befestigungssset Steuerung P2, P3, Con4 | x | x | 1 | 1 | 1 | 1 | 1 | 1 | 1 | |
| C006 | 5056385 | Power Supply 12V 60W Con4 | Netzteil 12V 60W Con4 | x | x | 1 | 1 | 1 | 1 | 1 | 1 | 1 | -2T0 |
| C006 | 5064143 | Power Supply 12V 60W Navy Con4 | Netzteil 12V 60W Schiff Con4 | x | x | 1 | 1 | 1 | 1 | 1 | 1 | 1 | -2T0 |
| C006 | 5056946 | Power Supply 12V 60W UL Con4 | Netzteil 12V 60W UL Con4 | x | x | 1 | 1 | 1 | 1 | 1 | 1 | 1 | -2T0 |
| C007 | 5056367 | easyDial User Interface UI Con4 | easyDial Bedienteil Con4 | x | x | 1 | 1 | 1 | 1 | 1 | 1 | 1 | |
| C007 | 5056366 | easyTouch User Interface UI Con4 | easyTouch Bedienteil Con4 | x | x | 1 | 1 | 1 | 1 | 1 | 1 | 1 | |
| C015 | 5056362 | Switch ON/OFF incl cable for control Con4 | Schalter AN/AUS inkl Kabel für Steuerung Con4 | x | x | 1 | 1 | 1 | 1 | 1 | 1 | 1 | |
| C018 | 5056949 | Speaker w. Cable and Connector EasyTouch Con4 | Lautsprecher m Kabel und Verbindung EasyTouch Con4 | x | x | 1 | 1 | 1 | 1 | 1 | 1 | 1 | |
| C020 | 5056361 | USB connection incl cable for control Con4 | USB Anschluss inkl Kabel für Steuerung Con4 | x | x | 1 | 1 | 1 | 1 | 1 | 1 | 1 | |
| C022 | 5056357 | Data cable 1m to SIB Con4 | Datenkabel 1m zum SIB Con4 | x | x | 1 | 1 | 1 | 1 | 1 | 1 | 1 | |
| C031 | 2664291 | Serial data cable easyDial to communication module Con4 | Datenkabel easyDial zu Kommunikationsmodul Con4 | x | x | 1 | 1 | 1 | 1 | 1 | 1 | 1 | |
| C032 | 2664290 | Ethernet Communication Module easyDial Con4 | Netzwerk Kommunikationsmodul easyDial Con4 | x | x | 1 | 1 | 1 | 1 | 1 | 1 | 1 | |
| C033 | 8001021 | Fillister head screw M4x6 | Linsenschraube M4x6 | x | x | 2 | 2 | 2 | 2 | 2 | 2 | 2 | |
| C034 | 8001031 | Fillister head screw M5x10 | Linsenschraube M5x10 | x | x | 1 | 1 | 1 | 1 | 1 | 1 | 1 | |
| C035 | 8056358 | SIB mounting set Con4 | SIB Befestigungs-Set Con4 | x | x | 1 | 1 | 1 | 1 | 1 | 1 | 1 | |
| C036 | 2664288 | Service Hook User Interface Con4 | Servicehaken User Interface Con4 | x | x | 1 | 1 | 1 | 1 | 1 | 1 | 1 | |
| C037 | 5056363 | Casing easyDial easyTouch back part Con4 | Gehäuse easyDial easyTouch Rückwand Con4 | x | x | 1 | 1 | 1 | 1 | 1 | 1 | 1 | |
| C038 | 5064623 | Cabel ON/OFF Switch Con4 | Kabel AN/AUS Schalter P4 Con4 | x | x | 1 | 1 | 1 | 1 | 1 | 1 | 1 | X35 |
| C039 | 5064152 | Cover USB connection for control Con4 | Abdeckung USB Anschluss für Steuerung Con4 | x | x | 1 | 1 | 1 | 1 | 1 | 1 | 1 | |
| C040 | 5056359 | Encoder with cable easyDial Con4 | Drehgeber mit Kabel easyDial Con4 | x | x | 1 | 1 | 1 | 1 | 1 | 1 | 1 | |
| C041 | 5056360 | Control knob easyDial Con4 | Drehknopf easyDial Con4 | x | x | 1 | 1 | 1 | 1 | 1 | 1 | 1 | |

| # | ET-Nr. Part No | Description | Beschreibung | Elektro | Gas | 6.10 | 6.20 | 10.10 | 10.20 | 12.20 | 20.10 | 20.20 | BMK / ID |
|------|-------------------|---|--|---------|-----|------|------|-------|-------|-------|-------|-------|----------------|
| C042 | 5056365 | Casing easyDial Con4 | Gehäuse easyDial Con4 | x | x | 1 | 1 | 1 | 1 | 1 | 1 | 1 | |
| C042 | 5056364 | Casing easyTouch front part Con4 | Gehäuse easyTouch Frontteil Con4 | x | x | 1 | 1 | 1 | 1 | 1 | 1 | 1 | |
| C043 | 4056002 | Personal Module PM Con4 | Personal Module PM Con4 | x | x | 1 | 1 | 1 | 1 | 1 | 1 | 1 | -Z50 |
| C049 | 5066657 | Extension cable RJ45 CAT6 400mm Con4 | Verlängerungskabel RJ45 CAT6 400mm Con4 | x | x | 1 | 1 | 1 | 1 | 1 | 1 | 1 | |
| C050 | 5066656 | Cover cap socket RJ45 Con4 | Abdeckkappe Buchse RJ45 Con4 | x | x | 1 | 1 | 1 | 1 | 1 | 1 | 1 | |
| C051 | 5012031 | Ethernet jack RJ45 2 x RJ45 Con4 | Buchse Ethernet RJ45 Durchgang 2 x RJ45 Con4 | x | x | 1 | 1 | 1 | 1 | 1 | 1 | 1 | |
| C052 | 4052371 | Network cable CAT6 Indust 2,0m Con4 | Netzwerkkabel CAT6 Indust 2,0m Con4 | x | x | 1 | 1 | 1 | 1 | 1 | 1 | 1 | |
| C052 | 4066399 | Network cable CAT6 Indust 3,40m Con4 | Netzwerkkabel CAT6 Indust 3,40m Con4 | x | x | 1 | 1 | 1 | 1 | 1 | 1 | 1 | |
| C053 | 5050613 | Front foil easyDial Con4 | Frontfolie easyDial Con4 | x | x | 1 | 1 | 1 | 1 | 1 | 1 | 1 | |
| C053 | 5050614 | Front foil easyTouch Con4 | Frontfolie easyTouch Con4 | x | x | 1 | 1 | 1 | 1 | 1 | 1 | 1 | |
| D001 | 2356923 | Boiler Electric 6.10 Con4 (w/o Heating Element) | Boiler Elektro 6.10 Con4 (ohne Heizungselement) | x | | 1 | | | | | | | |
| D001 | 2356924 | Boiler Electric 6.20 Con4 (w/o Heating Elements) | Boiler Elektro 6.20 Con4 (ohne Heizungselemente) | x | | 1 | | | | | | | |
| D001 | 2356925 | Boiler Electric 10.10 Con4 (w/o Heating Elements) | Boiler Elektro 10.10 Con4 (ohne Heizungselemente) | x | | | 1 | | | | | | |
| D001 | 2356926 | Boiler Electric 10.20 Con4 (w/o Heating Elements) | Boiler Elektro 10.20 Con4 (ohne Heizungselemente) | x | | | | 1 | | | | | |
| D001 | 2356927 | Boiler Electric 12.20 Con4 (w/o Heating Elements) | Boiler Elektro 12.20 Con4 (ohne Heizungselemente) | x | | | | | 1 | | | | |
| D001 | 2356928 | Boiler Electric 20.10 Con4 (w/o Heating Elements) | Boiler Elektro 20.10 Con4 (ohne Heizungselemente) | x | | | | | | 1 | | | |
| D001 | 2356929 | Boiler Electric 20.20 Con4 (w/o Heating Elements) | Boiler Elektro 20.20 Con4 (ohne Heizungselemente) | x | | | | | | | 1 | | |
| D001 | 2064055 | Gas boiler 6.10/10.10 CE Con4 (w/o Burner Unit) | Boiler Gas 6.10/10.10 CE Con4 (ohne Brennereinheit) | x | 1 | | 1 | | | | | | |
| D001 | 2064056 | Gas boiler 6.20 CE Con4 (w/o Burner Unit) | Boiler Gas 6.20 CE Con4 (ohne Brennereinheit) | x | | 1 | | | | | | | |
| D001 | 2064057 | Gas boiler 10.20/12.20/20.10/20.20 CE Con4 (w/o Burner Unit) | Boiler Gas 10.20/12.20/20.10/20.20 CE Con4 (ohne Brennereinheit) | x | | | | 1 | 1 | 1 | 1 | 1 | |
| D001 | 2064255 | Gas boiler 6.10/10.10 UL Con4 (w/o Burner Unit) | Boiler Gas 6.10/10.10 UL Con4 (ohne Brennereinheit) | x | 1 | | 1 | | | | | | |
| D001 | 2064256 | Gas boiler 6.20 UL Con4 (w/o Burner Unit) | Boiler Gas 6.20 UL Con4 (ohne Brennereinheit) | x | | 1 | | | | | | | |
| D001 | 2064257 | Gas boiler 10.20/12.20/20.10/20.20 UL Con4 (w/o Burner Unit) | Boiler Gas 10.20/12.20/20.10/20.20 UL Con4 (ohne Brennereinheit) | x | | | | 1 | 1 | 1 | 1 | 1 | |
| D002 | 6056322 | Flange seal for immersion heater Con4 | Flanschdichtung für Tauchheizkörper Con4 | x | 1 | 2 | 2 | 2 | 3 | 3 | 3 | 3 | |
| D003 | 5056320 | Immersion heater 9kW 230V Con4 | Tauchheizkörper 9kW 230V Con4 | x | 1 | 2 | 2 | 2 | 3 | 3 | 3 | 3 | -4E0 -4E1 -4E2 |
| D003 | 5056321 | Immersion heater 13.3kW 230V Con4 | Tauchheizkörper 13.3kW 230V Con4 | x | 1 | 2 | 2 | 2 | 1 | 3 | 3 | 3 | -4E0 -4E1 -4E2 |
| D003 | 5056930 | Immersion heater 9kW 200V Con4 | Tauchheizkörper 9kW 200V Con4 | x | 1 | 2 | 2 | 2 | 3 | 3 | 3 | 3 | -4E0 -4E1 -4E2 |
| D003 | 5056931 | Immersion heater 13.3kW 200V Con4 | Tauchheizkörper 13.3kW 200V Con4 | x | 1 | 2 | 2 | 2 | 1 | 3 | 3 | 3 | -4E0 -4E1 -4E2 |
| D003 | 5056932 | Immersion heater 9kW 277V Con4 | Tauchheizkörper 9kW 277V Con4 | x | 1 | 2 | 2 | 2 | 3 | 3 | 3 | 3 | -4E0 -4E1 -4E2 |
| D003 | 5056933 | Immersion heater 13.3kW 277V Con4 | Tauchheizkörper 13.3kW 277V Con4 | x | 1 | 2 | 2 | 2 | 1 | 3 | 3 | 3 | -4E0 -4E1 -4E2 |
| D005 | 2019700 | Drainage pump boiler P3 Con4 | Entleerungspumpe Boiler P3 Con4 | x | x | 1 | 1 | 1 | 1 | 1 | 1 | 1 | -4M5 |
| D006 | 6064052 | Drain Elbow Boiler Con4 | Ablaufwinkel Boiler Con4 | x | x | 1 | 1 | 1 | 1 | 1 | 1 | 1 | |
| D007 | 5064073 | Boiler waste water hose Ø22 6.10/6.20/10.10 Con4 | Abwasserschlauch Boiler Ø22 6.10/6.20/10.10 Con4 | x | 1 | 1 | 1 | | | | | | |
| D007 | 5064074 | Boiler waste water hose Ø22 10.20 to 20.20 Con4 | Abwasserschlauch Boiler Ø22 10.20 bis 20.20 Con4 | x | 1 | | | 1 | 1 | 1 | 1 | 1 | |
| D007 | 5064081 | Waste water hose Boiler Ø22 6.10/6.20Electric Con4 | Abwasserschlauch Boiler Ø22 6.10/6.20Elektro Con4 | x | 1 | 1 | | | | | | | |
| D007 | 5064082 | Waste water hose Boiler Ø22 10.10/10.20Electric Con4 | Abwasserschlauch Boiler Ø22 10.10/10.20Elektro Con4 | x | | | 1 | 1 | | | | | |
| D007 | 5064083 | Waste water hose Boiler Ø22 12.20 to 20.20Electric Con4 | Abwasserschlauch Boiler Ø22 12.20 bis 20.20Elektro Con4 | x | | | | | 1 | 1 | 1 | 1 | |
| D008 | 6016500 | Back flow preventer for Boiler 23° Con4 | Rücksaugicherung für Boiler 23° Con4 | x | x | 1 | 1 | 1 | 1 | 1 | 1 | 1 | |
| D008 | 6056934 | Back flow preventer for Boiler 100° Con4 | Rücksaugicherung für Boiler 100° Con4 | x | x | 1 | 1 | 1 | | | | | |
| D009 | 7064048 | Filling hose 600mm Ø13 6.10/6.20 Boiler Con4 | Befüllschlauch 600mm Ø13 Boiler 6.10/6.20 EL GAS Con4 | x | 1 | 1 | 1 | | | | | | |
| D009 | 7064049 | Filling hose 850mm Ø13 12.20/20.10/20.20 Boiler Con4 | Befüllschlauch 850mm Ø13 Boiler 12.20/20.10/20.20 Con4 | x | 1 | | | 1 | 1 | 1 | 1 | 1 | |
| D009 | 7064050 | Boiler Water supply hose 960mm CE Con4 | Boiler Wasserzulaufschlauch 960mm CE Con4 | x | x | 1 | 1 | 1 | 1 | 1 | 1 | 1 | |
| D009 | 7064051 | Boiler Water supply hose 960mm UL Con4 | Boiler Wasserzulaufschlauch 960mm UL Con4 | x | x | 1 | 1 | 1 | 1 | 1 | 1 | 1 | |
| D010 | 5056348 | Double-level probe Con4 | Doppelniveausonde Con4 | x | x | 1 | 1 | 1 | 1 | 1 | 1 | 1 | -4B12 |
| D010 | 5062289 | Double-level probe self cleaning Con4 | Doppelniveausonde selbstreinigend Con4 | x | x | 1 | 1 | 1 | 1 | 1 | 1 | 1 | |
| D011 | 6056350 | Seal for double-level probe P3 Con4 | Flachdichtung für Doppelniveausonde P3 Con4 | x | x | 1 | 1 | 1 | 1 | 1 | 1 | 1 | |
| D013 | 5056323 | Thermocouple probe Boiler 2300mm Con4 | Thermoelementfühler Boiler 2300mm Con4 | x | x | 1 | 1 | 1 | 1 | 1 | 1 | 1 | -4B8 |
| D013 | 5056948 | Thermocouple probe Boiler 2300mm Con4 UL | Thermoelementfühler Boiler 2300mm Con4 UL | x | x | 1 | 1 | 1 | 1 | 1 | 1 | 1 | -4B8 |
| D014 | 5056319 | Safety temperature limiter Boiler 170° Con4 | Schutztemperaturbegrenzer Boiler 170° Con4 | x | x | 1 | 1 | 1 | 1 | 1 | 1 | 1 | -2B8 |
| D017 | 2064058 | Chimney gas boiler 6.10/6.20 cpl Con4 | Kamin Boiler Gas 6.10/6.20 kpl Con4 | x | 1 | 1 | | | | | | | |
| D017 | 2064059 | Chimney gas boiler 10.10 cpl Con4 | Kamin Boiler Gas 10.10 kpl Con4 | x | | 1 | | | | | | | |
| D017 | 2064060 | Chimney gas boiler 10.20 cpl Con4 | Kamin Boiler Gas 10.20 kpl Con4 | x | | | 1 | | | | | | |
| D017 | 2064061 | Chimney gas boiler 12.20 cpl Con4 | Kamin Boiler Gas 12.20 kpl Con4 | x | | | | 1 | | | | | |
| D017 | 2064062 | Chimney gas boiler 20.10/20.20 cpl Con4 | Kamin Boiler Gas 20.10/20.20 kpl Con4 | x | | | | | 1 | 1 | 1 | 1 | |
| D018 | 2251357 | Spray ChannElectric for Suction PanElectric 6.10/6.20 Electric Con4 | Einspritzkanal Ansaugblech 6.10/6.20 Elektro Con4 | x | 1 | 1 | | | | | | | |
| D018 | 2251378 | Spray ChannElectric for Suction PanElectric 10.10/10.20 GAS Con4 | Einspritzkanal Ansaugblech 10.10/10.20 GAS Con4 | x | | | 1 | 1 | | | | | |
| D018 | 2251379 | Spray ChannElectric for Suction PanElectric 6.10/6.20 GAS Con4 | Einspritzkanal Ansaugblech 6.10/6.20 GAS Con4 | x | 1 | 1 | | | | | | | |
| D018 | 2251424 | Spray ChannElectric for Suction PanElectric 10.10/10.20 Electric Con4 | Einspritzkanal Ansaugblech 10.10/10.20 Elektro Con4 | x | | | 1 | 1 | | | | | |
| D018 | 2251425 | Spray ChannElectric for Suction PanElectric 12.20 Con4 | Einspritzkanal Ansaugblech 12.20 Con4 | x | x | | | | 1 | | | | |
| D018 | 2251441 | Injection 20.10/20.20 welded Con4 | Einspritzung 20.10/20.20 geschweißt Con4 | x | x | | | | | 1 | 1 | 1 | |
| D019 | 2064177 | Piping injection top x.10 Con4 | Rohrleitung Einspritzer Decke x.10 Con4 | x | x | 1 | 1 | | | 1 | | | |
| D019 | 2064175 | Piping injection top x.20 Con4 | Rohrleitung Einspritzer Decke x.20 Con4 | x | x | 1 | 1 | 1 | 1 | 1 | 1 | 1 | |
| D021 | 2230013 | Pressure regulator valve 6.10 P3 Con4 + 6.06 Mini | Druckregulierungsventil 6.10 P3 Con4 + 6.06 Mini | x | x | 1 | | | | | | | -4B1 |
| D021 | 2230014 | Pressure regulator valve 6.20 / 10.10 / 10.20 P3 Con4 | Druckregulierungsventil 6.20. 10.10. 10.20 P3 Con4 | x | x | 1 | 1 | 1 | | | | | -4B1 |
| D021 | 2230015 | Pressure regulator valve 12.20 P3 Con4 | Druckregulierungsventil 12.20 P3 Con4 | x | x | | | | 1 | | | | -4B1 |
| D021 | 2230016 | Pressure regulator valve 20.20 P3 Con4 | Druckregulierungsventil 20.20 P3 Con4 | x | x | | | | | 1 | 1 | 1 | -4B1 |
| D021 | 2230017 | Pressure regulator valve 20.10 P3 Con4 | Druckregulierungsventil 20.10 P3 Con4 | x | x | | | | | | 1 | 1 | -4B1 |
| D023 | 6005236 | O-Ring 53x3 for steam-generator emptying pump P2 P3 Con4 | O-Ring 53x3 f. Dampferzeuger-Entleerungspumpe P2 P3 Con4 | x | x | 1 | 1 | 1 | 1 | 1 | 1 | 1 | |
| D025 | 8009057 | Wire clip 36 mm | Drahtschelle 36 mm | x | x | 1 | 1 | 1 | 1 | 1 | 1 | 1 | |
| D027 | 7064043 | Drain pipe boiler Ø22 12EL 6.10/6.20/10.10 Gas Con4 | Abwasserrohr Boiler Ø22 12EL 6.10/6.20/10.10 Gas Con4 | x | 1 | 1 | 1 | | | | | | |
| D027 | 7064258 | Drain Pipe Boiler Ø22mm 10.10 10.20 EL Con4 | Abwasserrohr Boiler Ø22mm 10.10 10.20 EL Con4 | x | | | 1 | 1 | | | | | |
| D027 | 7064259 | Drain Pipe Boiler Ø22mm 12.20 20.10 20.20 EL Con4 | Abwasserrohr Boiler Ø22mm 12.20 20.10 20.20 EL Con4 | x | | | | | 1 | 1 | 1 | 1 | |
| D027 | 7064044 | Drain pipe boiler Ø22 GAS 10.20 to 20.20 Con4 | Abwasserrohr Boiler Ø22 GAS 10.20 bis 20.20 Con4 | x | | | | | 1 | 1 | 1 | 1 | |
| D028 | 2364407 | Suction hose Ø 10 Boiler Con4 | Saugschlauch Ø 10 Boiler Con4 | x | 1 | 1 | 1 | 1 | 1 | 1 | 1 | 1 | |
| D029 | 6064254 | Connector G3/4" Backflowpreventer Gas Boiler Con4 | Anschluss G3/4" Rücksaugicherung Gas Boiler Con4 | x | 1 | 1 | 1 | 1 | 1 | 1 | 1 | 1 | |
| D030 | 2364203 | Bracket pump boiler electric Con4 | Halteblech Entleerungspumpe Elektro Con4 | x | 1 | 1 | 1 | 1 | 1 | 1 | 1 | 1 | |
| D030 | 2364204 | Bracket pump boiler gas Con4 | Halteblech Entleerungspumpe GAS Con4 | x | 1 | 1 | 1 | 1 | 1 | 1 | 1 | 1 | |
| D031 | 3465312 | Boiler Filter electric Table-top unit Con4 | Boiler Filter Elektro Tischgeräte Con4 | x | 1 | 1 | 1 | 1 | | | | | |
| D031 | 3465313 | Boiler Filter electric Floor-standing unit Con4 | Boiler Filter Elektro Standgeräte Con4 | x | | | | | | 1 | 1 | 1 | |
| E001 | 5056347 | Motor 0.35kW 215V50Hz Con4 | Motor 0.35kW 215V50Hz Con4 | x | x | 1 | 1 | 1 | 1 | 1 | 2 | 2 | -3M5 -3M6 |
| E002 | 2617294 | Fixing parts for motor P3 Con4 | Motorbefestigung Set P3 Con4 | x | x | 1 | 1 | 1 | 1 | 1 | 2 | 2 | |
| E003 | 2617295 | Seal for Motor shaft | Motorwellendichtung | x | x | 1 | 1 | 1 | 1 | 2 | 2 | 2 | |
| E004 | 6064173 | Distance Motor Con4 | Abstandsbochse Motor Con4 | x | x | 1 | 1 | 1 | 1 | 1 | 2 | 2 | |
| E005 | 6056333 | Fan wheel 6.10/10.10/20.10 Con4 | Lüfterrad 6.10/10.10/20.10 Con4 | x | x | 1 | 1 | 1 | | | | | |
| E005 | 6056334 | Fan wheel 6.20/10.20/12.20/20.20 Con4 | Lüfterrad 6.20/10.20/12.20/20.20 Con4 | x | x | 1 | 1 | 1 | 1 | 1 | 2 | 2 | |
| E006 | 2617293 | Fan Wheel fixing P3 CON4 | Lüfterradbefestigung P3 CON4 | x | x | 1 | 1 | 1 | 1 | 1 | 2 | 2 | |
| E007 | 5056330 | Heating element Convection 6.10 10.5 kW 230V Con4 | Heizelement Heißluft 6.10 10.5 kW 230V Con4 | x | 1 | | | | | | | | -3E0 |
| E007 | 5056331 | Heating element Convection 6.20/10.10/20.10 18.9kW 230V Con4 | Heizelement Heißluft 6.20/10.10/20.10 18.9 kW 230V Con4 | x | | 1 | 1 | | | 2 | | | -3E0 -3E1 |
| E007 | 5056332 | Heating element Convection 10.20/12.20/20.20 2x16.5kW 230V Con4 | Heizelement Heißluft 10.20/12.20/20.20 2x16.5kW 230V Con4 | x | | | | 1 | 1 | | 2 | | -3E0 -3E1 |
| E007 | 5056935 | Heating element Convection 6.10 10.5 kW 200V Con4 | Heizelement Heißluft 6.10 10.5 kW 200V Con4 | x | 1 | | | | | | | | -3E0 |
| E007 | 5056936 | Heating element Convection 6.20/10.10/20.10 18.9kW 200V Con4 | Heizelement Heißluft 6.20/10.10/20.10 18.9 kW 200V Con4 | x | | 1 | 1 | | | 2 | | | -3E0 -3E1 |
| E007 | 5056937 | Heating element Convection 10.20/12.20/20.20 2x16.5kW 200V Con4 | Heizelement Heißluft 10.20/12.20/20.20 2x16.5kW 200V Con4 | x | | | | 1 | 1 | | 2 | | -3E0 -3E1 |
| E007 | 5056938 | Heating element Convection 6.10 10.5 kW 277V Con4 | Heizelement Heißluft 6.10 10.5 kW 277V Con4 | x | 1 | | | | | | | | -3E0 |
| E007 | 5056939 | Heating element Convection 6.20/10.10/20.10 18.9kW 277V Con4 | Heizelement Heißluft 6.20/10.10/20.10 18.9 kW 277V Con4 | x | | 1 | 1 | | | 2 | | | -3E0 -3E1 |
| E007 | 5056940 | Heating element Convection 10.20/12.20/20.20 2x16.5kW 277V Con4 | Heizelement Heißluft 10.20/12.20/20.20 2x16.5kW 277V Con4 | x | | | | 1 | 1 | | 2 | | -3E0 -3E1 |
| E007 | 5064166 | Heating element Convection 6.20/10.10/20.10 10kW 230V social Con4 | Heizelement Heißluft 6.20/10.10/20.10 10kW 230V Sonder Con4 | x | | 1 | 1 | | | 2 | | | -3E0 -3E1 |

| # | ET-Nr. Part No | Description | Beschreibung | Elektro | Gas | 6.10 | 6.20 | 10.10 | 10.20 | 12.20 | 20.20 | BMK / ID |
|------|-------------------|---|--|---------|-----|------|------|-------|-------|-------|-------|--------------------------|
| E008 | 2623227 | Mount. set convect heating elem 10.20/12.20/20.20 P3 Con4 | Befest. Set Heißluft Heizelem 10.20/12.20/20.20 P3 Con4 | x | | | | | 1 | 1 | 2 | |
| E008 | 2623226 | Mount. set convect heat.elem 6.10/6.20/10.10/10.20 P3 Con4 | Bef. Set Heißluft Heizelem 6.10/6.20/10.10/10.20 P3 Con4 | x | 1 | 1 | 1 | | | | 2 | |
| E010 | 2264172 | Air Shield Innerchamber Probe Con4 | Abschirmblech Garraumfühler Con4 | x | x | 1 | 1 | 1 | 1 | 1 | 1 | |
| E011 | 5056329 | Safety temperature limiter 340° C P3 Con4 | Schutztemperaturbegrenzer 340° C P3 Con4 | x | x | 1 | 1 | 1 | 1 | 1 | 1 | -2B7 |
| E012 | 5056324 | Thermocouple probe M5 3200mm Con4 | Thermoelementfühler M5 3200mm Con4 | x | x | 4 | 4 | 4 | 4 | 4 | 4 | -3B6 -5B3 -5B5 -4B4 -5B4 |
| E012 | 5056947 | Thermocouple probe M5 3200mm Con4 UL | Thermoelementfühler M5 3200mm Con4 UL | x | x | 4 | 4 | 4 | 4 | 4 | 4 | -3B6 -5B3 -5B5 -4B4 -5B4 |
| E013 | 2064001 | Heat Exchanger Convection 6.10 welded Con4 | Wärmetauscher Heißluft 6.10 geschw Con4 | x | 1 | | | | | | | |
| E013 | 2064002 | Heat Exchanger Convection 6.20 welded Con4 | Wärmetauscher Heißluft 6.20 geschw Con4 | x | | 1 | | | | | | |
| E013 | 2064003 | Heat Exchanger Convection 10.10 / 20.10 top welded Con4 | Wärmetauscher Heißluft 10.10 / 20.10 oben geschw Con4 | x | | | 1 | | | | 1 | |
| E013 | 2064004 | Heat Exchanger Convection 10.20 / 20.20 top welded Con4 | Wärmetauscher Heißluft 10.20 / 20.20 oben geschw Con4 | x | | | | 1 | | | 1 | |
| E013 | 2064005 | Heat Exchanger Convection 12.20 welded Con4 | Wärmetauscher Heißluft 12.20 geschw Con4 | x | | | | | 1 | | | |
| E014 | 2064008 | Extension Heat Exchanger Convection 20.10 welded Con4 | Verlängerung Wärmetauscher Heißluft 20.10 geschw Con4 | x | | | | | | 1 | | |
| E014 | 2064009 | Extension Heat Exchanger Convection 20.20 welded Con4 | Verlängerung Wärmetauscher Heißluft 20.20 geschw Con4 | x | | | | | | | 1 | |
| E015 | 2664269 | Counter flange chimney Ø50 Con4 | Gegenflansch Kamin Ø50 Con4 | x | 1 | 1 | 1 | | | | 1 | |
| E015 | 2664270 | Counter flange chimney Ø70 Con4 | Gegenflansch Kamin Ø70 Con4 | x | | | | 1 | 1 | | 1 | |
| E016 | 2664183 | Cover Sheet Chimney Convection 6.10/10.10, Boiler 6.10/10.10 Con4 | Deckblech Kamin Heißluft 6.10/10.10, Boiler 6.10/10.10, Con4 | x | 1 | | 1 | | | | | |
| E016 | 2664184 | Cover Sheet Chimney Convection + Boiler 6.20 Con4 | Deckblech Kamin Heißluft + Boiler 6.20, Con4 | x | | 1 | | | | | | |
| E016 | 2664185 | Cover Sheet Chimney Convection 10.20/12.20, Boiler 10.20 Con4 | Deckblech Kamin Heißluft 10.20/12.20, Boiler 10.20 Con4 | x | | | | 1 | | | | |
| E016 | 2664186 | Cover Sheet Chimney Convection 20.10 Con4 | Deckblech Kamin Heißluft 20.10 Con4 | x | | | | | | | 1 | |
| E016 | 2664187 | Cover Sheet Chimney Convection 20.20 Con4 | Deckblech Kamin Heißluft 20.20 Con4 | x | | | | | | | 1 | |
| E016 | 2664188 | Cover Sheet Chimney Boiler 12.20/20.10/20.20 Con4 | Deckblech Kamin Boiler 12.20/20.10/20.20 Con4 | x | | | | | 1 | 1 | 1 | |
| E017 | 2064006 | Heat Exchanger Convection 20.10 bottom welded Con4 | Wärmetauscher Heißluft 20.10 unten geschw Con4 | x | | | | | | 1 | | |
| E017 | 2064007 | Heat Exchanger Convection 20.20 bottom welded Con4 | Wärmetauscher Heißluft 20.20 unten geschw Con4 | x | | | | | | | 1 | |
| E018 | 6064015 | Gasket hot air burner chamber 6.10/6.20/10.10/20.10 Con4 | Dichtung Brennerkam. Heißluft 6.10/6.20/10.10/20.10 Con4 | x | 1 | 1 | 1 | | | | 1 | |
| E018 | 6064016 | Gasket hot air burner chamber 10.20/12.20/20.20 Con4 | Dichtung Brennerkammer Heißluft 10.20/12.20/20.20 Con4 | x | | | | 1 | 1 | | 1 | |
| E019 | 6056351 | Gasket temp probe 5 pc. OSC/OSP P2 P3 Con4 | Dichtung Thermoelment. 5 St. OSC/OSP P2 P3 Con4 | x | 4 | 4 | 4 | 4 | 4 | 4 | 4 | |
| E021 | 2064054 | spacer chimney cover (12 pcs) Con4 | Scheibe Kamin (12 Stück) Con4 | x | 8 | 8 | 8 | 8 | 8 | 12 | 12 | |
| E022 | 6064078 | Gasket boiler burner chamber 6.10/6.20/10.10 Con4 | Dichtung Brennerkammer Boiler 6.10/6.20/10.10 Con4 | x | 1 | 1 | 1 | | | | | |
| E022 | 6064079 | Gasket boiler burner chamber 10.20 to 20.20 Con4 | Dichtung Brennerkammer Boiler 10.20 bis 20.20 Con4 | x | 1 | 1 | 1 | 1 | 1 | 1 | 1 | |
| E023 | 6064017 | Gasket exhaust Convection Ø50 Con4 | Dichtung Kamin Heißluft Ø50 Con4 | x | 1 | 1 | 1 | | | | 1 | |
| E023 | 6064018 | Gasket exhaust Convection Ø70 Con4 | Dichtung Kamin Heißluft Ø70 Con4 | x | | | | 1 | 1 | | 1 | |
| E024 | 6065802 | Aluminum ventilator, including screw Ø180 Con4 | Zwischenlüfter Alu inkl. Schraube Ø180 Con4 | x | 1 | 1 | 1 | 1 | 1 | 2 | 2 | |
| E025 | 2666340 | Fixing Set hot air heat exchanger-burner Con4 | Befestigungs-Set Wärmetauscher-Heißluftbrenner Con4 | x | 1 | 1 | 1 | 1 | 1 | 2 | 2 | |
| F001 | 2064063 | Hot air burner unit 10.20/20.20 cpl Con4 | Brennerereinheit Heißluft 10.20/20.20 kpl Con4 | x | | | | 1 | | | 2 | |
| F001 | 2064064 | Hot air burner unit 6.10 cpl Con4 | Brennerereinheit Heißluft 6.10 kpl Con4 | x | 1 | | | | | | | |
| F001 | 2064065 | Hot air burner unit 6.20 cpl Con4 | Brennerereinheit Heißluft 6.20 kpl Con4 | x | | 1 | | | | | | |
| F001 | 2064200 | Hot air burner unit 20.10 top cpl Con4 | Brennerereinheit Heißluft 20.10 oben kpl Con4 | x | | | | | | | 1 | |
| F001 | 2064066 | Hot air burner unit 10.10/20.10 bottom cpl Con4 | Brennerereinheit Heißluft 10.10/20.10 unten kpl Con4 | x | | 1 | | | | | 1 | |
| F001 | 2064068 | Hot air burner unit 12.20 cpl Con4 | Brennerereinheit Heißluft 12.20 kpl Con4 | x | | | | | 1 | | | |
| F002 | 5056959 | Burner fan 230V 110W CE/UL Con4 | Brennergebläse 230V 110W CE/UL Con4 | x | 2 | 2 | 2 | 2 | 2 | 3 | 3 | -3M1 -3M2 -4M1 |
| F003 | 6056960 | Venturi 40kW P3 Con4 | Venturi 40kW P3 Con4 | x | 2 | 2 | 2 | 2 | 2 | 3 | 3 | |
| F004 | 6056955 | Gas Valve 230V CE Con4 | Gasventil 230V CE Con4 | x | 2 | 2 | 2 | 2 | 2 | 3 | 3 | -3T1 -3T2 -4T1 |
| F004 | 6056956 | Gas Valve 110V UL Con4 | Gasventil 110V UL Con4 | x | 2 | 2 | 2 | 2 | 2 | 3 | 3 | -3T1 -3T2 -4T0 |
| F005 | 6056957 | Firing device 230V CE Con4 | Feuerungsautomat 230V CE Con4 | x | 2 | 2 | 2 | 2 | 2 | 3 | 3 | -3T1 -3T2 -4T1 |
| F005 | 6056958 | Firing device 110V UL Con4 | Feuerungsautomat 110V UL Con4 | x | 2 | 2 | 2 | 2 | 2 | 3 | 3 | -3T1 -3T2 -4T2 |
| F007 | 4056951 | Ignition + Ground electrode boiler Con4 | Zünd- + Masseelektrode Boiler Con4 | x | 1 | 1 | 1 | 1 | 1 | 1 | 1 | |
| F008 | 4056950 | Ignition + Ground electrode convection Con4 | Zünd- + Masseelektrode Heißluft Con4 | x | 1 | 1 | 1 | 1 | 1 | 2 | 2 | |
| F012 | 2064220 | Gas Pipe Sprayer 6.10 CE Con4 | Gasleitung Spritzer 6.10 CE Con4 | x | 1 | | | | | | | |
| F012 | 2064221 | Gas Pipe Sprayer 6.20 CE | Gasleitung Spritzer 6.20 CE | x | | 1 | | | | | | |
| F012 | 2064222 | Gas Pipe Sprayer 10.10/10.20/12.20 CE | Gasleitung Spritzer 10.10/10.20/12.20 CE | x | | | 1 | 1 | 1 | | | |
| F012 | 2064223 | Gas Pipe Sprayer 6.10 UL Con4 | Gasleitung Spritzer 6.10 UL Con4 | x | 1 | | | | | | | |
| F012 | 2064224 | Gas Pipe Sprayer 6.20 UL | Gasleitung Spritzer 6.20 UL | x | | 1 | | | | | | |
| F012 | 2064225 | Gas Pipe Sprayer 10.10 UL | Gasleitung Spritzer 10.10 UL | x | | | 1 | | | | | |
| F012 | 2064227 | Gas Pipe Sprayer 10.20/12.20 UL | Gasleitung Spritzer 10.20/12.20 UL | x | | | | 1 | 1 | | | |
| F012 | 6064247 | Gas Tube 800mm 6.10 Hotair Con4 | Gasschlauch 800mm 6.10 Heißluft Con4 | x | H | | | | | | | |
| F012 | 6064248 | Gas Tube 500mm Con4 | Gasschlauch 500mm Con4 | x | B | B | H | H | B, H | | H2 | |
| F012 | 6064249 | Gas Tube 350mm Con4 | Gasschlauch 350mm Con4 | x | | | | B | | B, H2 | | |
| F012 | 6064250 | Gas Tube 700mm Con4 | Gasschlauch 700mm Con4 | x | | H | B | | | | | |
| F012 | 6064251 | Gas Tube 1100mm Con4 | Gasschlauch 1100mm Con4 | x | | | | | | | H1 | |
| F012 | 6064252 | Gas Tube 1300mm Con4 | Gasschlauch 1300mm Con4 | x | | | | | | | | |
| F013 | 6064075 | Gasket burner fan Con4 | Dichtung Brennergebläse Con4 | x | 4 | 4 | 4 | 4 | 4 | 6 | 6 | |
| F014 | 6017000 | Gas restriction plate Ø520 P3 Con4 | Gasblende Ø520 P3 Con4 | x | | | | | | | | |
| F014 | 6017001 | Gas restriction plate Ø400 P3 Con4 | Gasblende Ø400 P3 Con4 | x | | | | | | | | |
| F014 | 6017002 | Gas restriction plate Ø430 P3 Con4 | Gasblende Ø430 P3 Con4 | x | | | | | | | | |
| F014 | 6017003 | Gas restriction plate Ø440 P3 Con4 | Gasblende Ø440 P3 Con4 | x | | | | | | | | |
| F014 | 6017004 | Gas restriction plate Ø550 P3 Con4 | Gasblende Ø550 P3 Con4 | x | | | | | | | | |
| F014 | 6017005 | Gas restriction plate Ø580 P3 Con4 | Gasblende Ø580 P3 Con4 | x | | | | | | | | |
| F014 | 6017006 | Gas restriction plate Ø630 P3 Con4 | Gasblende Ø630 P3 Con4 | x | | | | | | | | |
| F014 | 6017007 | Gas restriction plate Ø660 P3 Con4 | Gasblende Ø660 P3 Con4 | x | | | | | | | | |
| F014 | 6017008 | Gas restriction plate Ø680 P3 Con4 | Gasblende Ø680 P3 Con4 | x | | | | | | | | |
| F014 | 6017010 | Gas restriction plate Ø620 P3 Con4 | Gasblende Ø620 P3 Con4 | x | | | | | | | | |
| F014 | 6017011 | Gas restriction plate Ø470 P3 Con4 | Gasblende Ø470 P3 Con4 | x | | | | | | | | |
| F014 | 6017012 | Gas restriction plate Ø700 P3 Con4 | Gasblende Ø700 P3 Con4 | x | | | | | | | | |
| F014 | 6017013 | Gas restriction plate Ø490 P3 Con4 | Gasblende Ø490 P3 Con4 | x | | | | | | | | |
| F014 | 6057150 | Gas restriction plate Ø600 P3 Con4 | Gasblende Ø600 P3 Con4 | x | | | | | | | | |
| F014 | 6062419 | Gas restriction plate Ø420 P3 Con4 | Gasblende Ø420 P3 Con4 | x | | | | | | | | |
| F014 | 6062420 | Gas restriction plate Ø340 P3 Con4 | Gasblende Ø340 P3 Con4 | x | | | | | | | | |
| F014 | 6062423 | Gas restriction plate Ø360 P3 Con4 | Gasblende Ø360 P3 Con4 | x | | | | | | | | |
| F014 | 7064100 | Universal gasket kit Con4 Gas | Universaldichtungssatz Con4 Gas | x | 1 | 1 | 1 | 1 | 1 | 1 | 1 | |
| F014 | 2662350 | Conversion Set Universal CE Gas Orifices Con4 | Umrüstset Universal CE Gas Düsen Convotherm4 | x | 1 | 1 | 1 | 1 | 1 | 1 | 1 | |
| F014 | 2662351 | Conversion Set 6.10 CE Gas Orifices Con4 | Umrüstset 6.10 CE Gas Düsen Convotherm4 | x | 1 | | | | | | | |
| F014 | 2662354 | Conversion Set 6.20 CE Gas Orifices Con4 | Umrüstset 6.20 CE Gas Düsen Convotherm4 | x | | 1 | | | | | | |
| F014 | 2662357 | Conversion Set 10.10 CE Gas Orifices Con4 | Umrüstset 10.10 CE Gas Düsen Convotherm4 | x | | | 1 | | | | | |
| F014 | 2662360 | Conversion Set 10.20/12.20 CE Gas Orifices Con4 | Umrüstset 10.20/12.20 CE Gas Düsen Convotherm4 | x | | | | 1 | 1 | | | |
| F014 | 2662363 | Conversion Set 20.10 CE Gas Orifices Con4 | Umrüstset 20.10 CE Gas Düsen Convotherm4 | x | | | | | | 1 | | |
| F014 | 2662366 | Conversion Set 20.20 CE Gas Orifices Con4 | Umrüstset 20.20 CE Gas Düsen Convotherm4 | x | | | | | | | 1 | |
| F014 | 2662369 | Conversion Set 6.10 UL Gas Orifices Con4 | Umrüstset 6.10 UL Gas Düsen Convotherm4 | x | 1 | | | | | | | |
| F014 | 2662370 | Conversion Set 6.20 UL Gas Orifices Con4 | Umrüstset 6.20 UL Gas Düsen Convotherm4 | x | | 1 | | | | | | |
| F014 | 2662371 | Conversion Set 10.10 UL Gas Orifices Con4 | Umrüstset 10.10 UL Gas Düsen Convotherm4 | x | | | 1 | | | | | |
| F014 | 2662372 | Conversion Set 10.20 UL Gas Orifices Con4 | Umrüstset 10.20 UL Gas Düsen Convotherm4 | x | | | | 1 | | | | |
| F014 | 2662373 | Conversion Set 12.20 UL Gas Orifices Con4 | Umrüstset 12.20 UL Gas Düsen Convotherm4 | x | | | | | 1 | | | |

| # | ET-Nr. Part No | Description | Beschreibung | Elektro | Gas | 6.10 | 6.20 | 10.10 | 10.20 | 12.20 | 20.10 | 20.20 | BMK / ID |
|------|-------------------|--|--|---------|-----|------|------|-------|-------|-------|-------|-------|----------------|
| F014 | 2662374 | Conversion Set 20.10 UL Gas Orifices Con4 | Umrüstset 20.10 UL Gas Düsen Convotherm4 | | x | | | | | | 1 | | |
| F014 | 2662375 | Conversion Set 20.20 UL Gas Orifices Con4 | Umrüstset 20.20 UL Gas Düsen Convotherm4 | | x | | | | | | | 1 | |
| F016 | 2664070 | Gas connector R3/4" welded Con4 | Gasanschluss R3/4" geschw Con4 | | x | 1 | 1 | 1 | 1 | 1 | 1 | 1 | |
| F016 | 2664071 | Gas connector 1/2" NPT welded Con4 | Gasanschluss 1/2" NPT geschw Con4 | | x | 1 | 1 | 1 | | | | | |
| F016 | 2664072 | Gas connector 3/4" NPT welded Con4 | Gasanschluss 3/4" NPT geschw Con4 | | x | | | | 1 | 1 | 1 | 1 | |
| F017 | 2657782NP | Intake system 2x90° Baffle Ø33 hose 800mm Con4 | Ansaugstrecke 2x90° Blende Ø33 Schlauch 800mm Con4 | | x | | | | B, H | B, H | B | B, H | |
| F017 | 2657783NP | Air Intake Venturi 90° Baffle Ø33 Con4 | Ansaugstutzen Venturi 90° Blende Ø33 Con4 | | x | | | | | | | B, H | |
| F017 | 2657784NP | Air Intake Venturi straight Baffle Ø19 Con4 | Ansaugstutzen Venturi gerad Blende Ø19 Con4 | | x | B, H | B, H | | | | | | |
| F017 | 2657785NP | Air Intake Venturi straight Baffle Ø23 Con4 | Ansaugstutzen Venturi gerad Blende Ø23 Con4 | | x | | | | | | | | |
| F017 | 2657786NP | Air Intake Venturi straight Baffle Ø25 EU Con4 | Ansaugstutzen Venturi gerad Blende Ø25 EU Con4 | | x | | | B, H | | | | | |
| F017 | 2657786NP | Air Intake Venturi straight Baffle Ø25 Con4 | Ansaugstutzen Venturi gerad Blende Ø25 Con4 | | x | | B | | | | H | | |
| F017 | 2662469NP | Air Intake Venturi 90° Baffle Ø25 Con4 | Ansaugstutzen Venturi 90° Blende Ø25 Con4 | | x | | | | | | H | | |
| F018 | 2064019 | Boiler burner unit 6.10 /10.10cpl Con4 | Brennereinheit Boiler Gas 6.10 /10.10 kpl Con4 | | x | 1 | 1 | | | | | | |
| F018 | 2064020 | Boiler burner unit 6.20 cpl Con4 | Brennereinheit Boiler Gas 6.20 kpl Con4 | | x | | 1 | | | | | | |
| F018 | 2064021 | Boiler burner unit 10.20 to 20.20 cpl Con4 | Brennereinheit Boiler Gas 10.20 bis 20.20 kpl Con4 | | x | | | | 1 | 1 | 1 | 1 | |
| F022 | 2664229 | Adapter box 180° for venturi Con4 | Adapter Venturi 180° Kasten Con4 | | x | | H | H | | | H | | |
| F022 | 2664230 | Adapter 110° for venturi Con4 | Adapter Venturi 110° Con4 | | x | B | | B | | | | | |
| F023 | 2655497 | Baffle Blower Fan Ø23 UL Con4 | Blende Gebläse Ø23 UL Con4 | | x | | | | B | | | B | |
| F023 | 2655498 | Baffle Blower Fan Ø24 UL Con4 | Blende Gebläse Ø24 UL Con4 | | x | | | | H | | | H | |
| F023 | 2655499 | Baffle Blower Fan Ø18 CE Con4 | Blende Gebläse Ø18 CE Con4 | | x | | | | B, H | | | H | |
| F023 | 2655499 | Baffle Blower Fan Ø18 UL Con4 | Blende Gebläse Ø18 UL Con4 | | x | B, H | B, H | B, H | | | | H | |
| F023 | 2657824 | Baffle Blower Fan Ø16 CE Con4 | Blende Gebläse Ø16 CE Con4 | | x | B, H | | | | | | | |
| F023 | 2657900 | Baffle Blower Fan Ø19 (AU) EU Con4 | Blende Gebläse Ø19 (AU) EU Con4 | | x | | B, H | (H) | | | (H) | | |
| F023 | 2657901 | Baffle Blower Fan Ø22 Con4 | Blende Gebläse Ø22 Con4 | | x | | | | | H | | | |
| F023 | 2657901 | Baffle Blower Fan Ø22 CE Con4 | Blende Gebläse Ø22 CE Con4 | | x | | | | | | | H | |
| F023 | 2657902 | Baffle Blower Fan Ø25 CE Con4 | Blende Gebläse Ø25 CE Con4 | | x | | | | B | B | B | B | |
| F023 | 2657902 | Baffle Blower Fan Ø25 UL Con4 | Blende Gebläse Ø25 UL Con4 | | x | | | | | | B | B | |
| F024 | 2664253 | Clip burner Con4 | Klammer Brenner Con4 | | x | x | x | x | x | x | x | x | |
| F025 | 6056952 | Main gas valve 3/4" CE 230V Con4 | Gas-Hauptventil 3/4" CE 230V Con4 | | x | 1 | 1 | 1 | 1 | 1 | 1 | 1 | -2M2 |
| F025 | 6056953 | Main gas valve 1/2" 6.10 / 6.20 / 10.10 UL 115V Con4 | Gas-Hauptventil 1/2" 6.10 / 6.20 / 10.10 UL 115V Con4 | | x | 1 | 1 | 1 | | | | | -2M2 |
| F025 | 6056954 | Main gas valve 3/4" 10.20/12.20/20.10/20.20 UL 115V Con4 | Gas-Hauptventil 3/4" 10.20/12.20/20.10/20.20 UL 115V Con4 | | x | 1 | 1 | 1 | 1 | 1 | 1 | 1 | -2M2 |
| F026 | 6064590 | Gas distributor 2-way NPT 1/2" UL Con4 | Gasverteiler 2-Wege NPT 1/2" UL Con4 | | x | 1 | 1 | 1 | | | | | |
| F026 | 6064591 | Gas distributor 2-way NPT 3/4" UL Con4 | Gasverteiler 2-Wege NPT 3/4" UL Con4 | | x | | | | 1 | 1 | 1 | 1 | |
| F026 | 6064592 | Gas distributor 3-way NPT 3/4" UL Con4 | Gasverteiler 3-Wege NPT 3/4" UL Con4 | | x | | | | | | | 1 | 1 |
| F026 | 6064593 | Gas distributor 2-way R 3/4" CE Con4 | Gasverteiler 2-Wege R 3/4" CE Con4 | | x | 1 | 1 | 1 | 1 | 1 | 1 | 1 | |
| F026 | 6064594 | Gas distributor 3-way R 3/4" CE Con4 | Gasverteiler 3-Wege R 3/4" CE Con4 | | x | | | | | | | 1 | 1 |
| F027 | 2662478 | Heat shield convection burner 10.20/12.20/20.20 Con4 | Wärmeschutzblech Brenner Heißluft 10.20/12.20/20.20 Con4 | | x | | | | 1 | 1 | 2 | 2 | |
| F028 | 6064077 | Sealing ring gas overlay P3 Con4 | Dichtring Gasblende Boiler P3 Con4 | | x | 2 | 2 | 2 | 2 | 2 | 3 | 3 | |
| F029 | 6064076 | Sealing ring cork Venturi P3 Con4 | Korkdichtung Venturi P3 Con4 | | x | 1 | 1 | 1 | 1 | 1 | 1 | 1 | |
| F030 | 6064080 | Gasket ignition electrode Con4 | Dichtung Zündelektrode Boiler Con4 | | x | 2 | 2 | 2 | 2 | 2 | 3 | 3 | |
| F031 | 2664714 | Gas connector R3/4" welded Con4 | Gasanschluss R3/4" geschw Con4 | | x | 1 | 1 | 1 | 1 | 1 | 1 | 1 | |
| G001 | 5056379 | Solenoid valve dual 230V Con4 | Magnetventil 2fach 230V Con4 | | x | 1 | 1 | 1 | 1 | 1 | 1 | 1 | -2M5 -5M1 |
| G001 | 5050512 | Solenoid valve triple 230V Con4 | Magnetventil 3fach 230V Con4 | | x | 1 | 1 | 1 | 1 | 1 | 1 | 1 | -2M5 -5M1 -5M4 |
| G002 | 7050500 | Potable Water Tube - DN10 Con4 | Wasserschlauch DN10 Con4 | | x | 1 | 1 | 1 | 1 | 1 | 1 | 1 | |
| G006 | 6015215 | G1/2 Right-angle pipe connector 3/8" with washer P3 Con4 | G1/2 Winkel-Schlauchanschluss 3/8" m. Dichtung P3 Con4 | | x | 2 | 2 | 2 | 2 | 3 | 3 | 3 | |
| G010 | 2625199 | Hand-shower hose for retractable hand shower P3 Con4 | Brauseschlauch für Rollhandbrause P3 Con4 | | x | 1 | 1 | 1 | 1 | 1 | 1 | 1 | |
| G011 | 6056382 | Retractable hand shower button Con4 | Rollhandbrause Knopf Con4 | | x | 1 | 1 | 1 | 1 | 1 | 1 | 1 | |
| G012 | 6064246 | Holder retractable Hand shower Con4 | Halter Rollhandbrause Con4 | | x | | | | | | 1 | 1 | 1 |
| G015 | 6006086 | Hose clamp 12 - 22 zinc plated Con4 | Schlauchschele 12 - 22 verzinkt Con4 | | x | 4 | 4 | 4 | 4 | 4 | 4 | 4 | |
| G016 | 6006087 | Hose clip 25-40mm | Schlauchbinder 25-40mm | | x | | | | | | 1 | 1 | 1 |
| G017 | 6006089 | Hose clip 40-60mm | Schlauchbinder 40-60mm | | x | 1 | 1 | 1 | 1 | 1 | 1 | 1 | |
| G030 | 6056491 | Retractable hand shower for Table Top Model Con4 | Rollhandbrause Tischgeräte Con4 | | x | 1 | 1 | 1 | 1 | | | | |
| G030 | 6056492 | Retractable hand shower for Floor Model Con4 | Rollhandbrause Standgeräte Con4 | | x | | | | | | 1 | 1 | 1 |
| G031 | 6064811 | Screw socket M6x80 Retractable Handshower Con4 | Gewindebuchse M6x80 Rollhandbrause Con4 | | x | | | | | | 3 | 3 | 3 |
| G035 | 2625203 | Spring rewriter for retractable hand shower P3 Con4 | Federspanner für Rollhandbrause P3 on4 | | x | 1 | 1 | 1 | 1 | 1 | 1 | 1 | |
| G036 | 4064180 | Microswitch Retractable Handshower Con4 | Mikroschalter Rollhandbrause Con4 | | x | 1 | 1 | 1 | 1 | 1 | 1 | 1 | |
| G041 | 5064067 | Solenoid valve single 230V (opt without Handshower) Con4 | Magnetventil 1fach 230V (option ohne Handbrause) Con4 | | x | 1 | 1 | 1 | 1 | 1 | 1 | 1 | -5M1 |
| G047 | 6064181 | Protective Hose for retractable Hand shower 20.20 Con4 | Schutzschlauch für Rollhandbrause 20.20 Con4 | | x | | | | | | | 1 | |
| G047 | 6064174 | Protective Hose for retractable Hand shower 20.10 Con4 | Schutzschlauch für Rollhandbrause 20.10 Con4 | | x | | | | | | 1 | | |
| G047 | 6064178 | Protective Hose for retractable Hand shower 12.20 Con4 | Schutzschlauch für Rollhandbrause 12.20 Con4 | | x | | | | | 1 | | | |
| G047 | 2664217 | Protective Hose for retractable Hand shower 12.20 GAS Con4 | Schutzschlauch für Rollhandbrause 12.20 GAS Con4 | | x | | | | | 1 | | | |
| G065 | 5056375 | Pressure switch injection P3 Con4 | Druckschalter Einspritzung P3 Con4 | | x | 1 | 1 | 1 | 1 | 1 | 1 | 1 | -4B1 |
| G073 | 5056378 | Solenoid valve single 230V Con4 | Magnetventil 1fach 230V Con4 | | x | 1 | 1 | 1 | 1 | 1 | 1 | 1 | -4M6 -4M7 |
| G076 | 5056377 | Flowmeter Con4 | Durchflussmesser Con4 | | x | 1 | 1 | 1 | 1 | 1 | 1 | 1 | -5B2 |
| G077 | 2050481 | water piping Electro/Gas Boiler 6.10/6.20 CE Con4 | Wasserverschlauchung Elektro/Gas Boiler 6.10/6.20 CE Con4 | | x | 1 | 1 | | | | | | |
| G077 | 2050487 | water piping Electro Boiler 10.10/10.20 and Gas Boiler 10.10 CE Con4 | Wasserverschlauchung Elektro Boiler 10.10/10.20 und Gas Boiler 10.10 CE Con4 | | x | | | 1 | 1 | | | | |
| G077 | 2050497 | water piping Electro Boiler 12.20/20.10/20.20 and Gas Boiler 10.20 CE Con4 | Wasserverschlauchung Elektro Boiler 12.20/20.10/20.20 und Gas Boiler 10.20 CE Con4 | | x | | | | | 1 | 1 | 1 | |
| G077 | 2055265 | water piping Electro / Gas Boiler 6.10 / 6.20 UL Con4 | Wasserverschlauchung Elektro / Gas Boiler 6.10 / 6.20 UL Con4 | | x | 1 | 1 | | | | | | |
| G077 | 2055266 | water piping Electro Boiler 10.10/10.20 and Gas Boiler 10.10 UL Con4 | Wasserverschlauchung Elektro Boiler 10.10/10.20 und Gas Boiler 10.10 UL Con4 | | x | | | 1 | 1 | | | | |
| G077 | 2055268 | water piping Electro Boiler 12.20/20.10/20.20 and Gas Boiler 10.20 UL Con4 | Wasserverschlauchung Elektro Boiler 12.20/20.10/20.20 und Gas Boiler 10.20 UL Con4 | | x | | | | 1 | 1 | 1 | 1 | |
| G077 | 2062569 | water piping Gas Boiler 12.20/20.10/20.20 CE Con4 | Wasserverschlauchung Gas Boiler 12.20/20.10/20.20 CE Con4 | | x | | | | | 1 | 1 | 1 | |
| G077 | 2062570 | water piping Gas Boiler 12.20/20.10/20.20 UL Con4 | Wasserverschlauchung Gas Boiler 12.20/20.10/20.20 UL Con4 | | x | | | | | 1 | 1 | 1 | |
| G077 | 2055234 | water piping Elektro Sprayer 6.10 CE Con4 | Wasserverschlauchung Elektro Spritzer 6.10 CE Con4 | | x | 1 | | | | | | | |
| G077 | 2055235 | water piping Elektro Sprayer 6.20 Con4 | Wasserverschlauchung Elektro Spritzer 6.20 Con4 | | x | | 1 | | | | | | |
| G077 | 2055236 | water piping Elektro Sprayer 10.10 10.20 Con4 | Wasserverschlauchung Elektro Spritzer 10.10 10.20 Con4 | | x | | | 1 | 1 | | | | |
| G077 | 2055237 | water piping Elektro Sprayer 12.20 Con4 | Wasserverschlauchung Elektro Spritzer 12.20 Con4 | | x | | | | 1 | | | | |
| G077 | 2055238 | water piping Elektro Sprayer 20.10 20.20 Con4 | Wasserverschlauchung Elektro Spritzer 20.10 20.20 Con4 | | x | | | | | 1 | 1 | 1 | |
| G077 | 2055269 | water piping Elektro Sprayer 6.10 UL Con4 | Wasserverschlauchung Elektro Spritzer 6.10 UL Con4 | | x | 1 | | | | | | | |
| G077 | 2055270 | water piping Elektro Sprayer 6.20 UL Con4 | Wasserverschlauchung Elektro Spritzer 6.20 UL Con4 | | x | | 1 | | | | | | |
| G077 | 2055271 | water piping Elektro Sprayer 10.10 10.20 UL Con4 | Wasserverschlauchung Elektro Spritzer 10.10 10.20 UL Con4 | | x | | | 1 | 1 | | | | |

| # | ET-Nr. Part No | Description | Beschreibung | Elektro | Gas | 6.10 | 6.20 | 10.10 | 10.20 | 12.20 | 20.10 | 20.20 | BMK / ID |
|------|-------------------|---|--|---------|-----|------|------|-------|-------|-------|-------|-------|----------|
| G077 | 2055272 | water piping Elektro Sprayer 12.20 UL Con4 | Wasserverschlauchung Elektro Spritzer 12.20 UL Con4 | x | x | | | | | | | | |
| G077 | 2055273 | water piping Elektro Sprayer 20.10 20.20 UL Con4 | Wasserverschlauchung Elektro Spritzer 20.10 20.20 UL Con4 | x | x | | | | | | | | |
| G077 | 2065275 | water piping Gas Boiler 20.10 20.20 CE Con4 | Wasserverschlauchung Gas Boiler 20.10 20.20 CE Con4 | x | x | | | | | | | | |
| G078 | 2050482 | Water tubing Collector retractable 6.10/10.10 Con4 | Wasserverschlauchung Sammler 6.10/10.10 kpl Con4 | x | x | 1 | | 1 | | | | | |
| G078 | 2050485 | Water tubing Collector retractable 6.20/10.20 Con4 | Wasserverschlauchung Sammler 6.20/10.20 kpl Con4 | x | x | | 1 | | 1 | | | | |
| G078 | 2050494 | Water tubing Collector retractable 12.20/20.20 UL Con4 | Wasserverschlauchung Sammler 12.20/20.20 UL kpl Con4 | x | x | | | | | 1 | | 1 | |
| G078 | 2050496 | Water tubing Collector retractable 20.10 UL Con4 | Wasserverschlauchung Sammler 20.10 UL kpl Con4 | x | x | | | | | | 1 | | |
| G078 | 2050492 | Water tubing Collector retractable hand shower 12.20 Con4 | Wasserverschlauchung Sammler RHB 5 kpl Con4 | x | x | | | | 1 | | | | |
| G078 | 2050495 | Water tubing Collector retractable hand shower 20.10 Con4 | Wasserverschlauchung Sammler RHB 6 kpl Con4 | x | x | | | | | | 1 | | |
| G078 | 2050499 | Water tubing Collector retractable hand shower 20.20 Con4 | Wasserverschlauchung Sammler RHB 7 kpl Con4 | x | x | | | | | | | 1 | |
| G078 | 2055262 | Water tubing Collector retractable hand shower 12.20 UL Con4 | Wasserverschlauchung Sammler RHB 5 UL kpl Con4 | x | x | | | | 1 | | | | |
| G078 | 2055263 | Water tubing Collector retractable hand shower 20.10 UL Con4 | Wasserverschlauchung Sammler RHB 6 UL kpl Con4 | x | x | | | | | | 1 | | |
| G078 | 2055264 | Water tubing Collector retractable hand shower 20.20 UL Con4 | Wasserverschlauchung Sammler RHB 7 UL kpl Con4 | x | x | | | | | | | 1 | |
| G078 | 2050483 | Water tubing Collector retractable hand shower 20.10.10 10.10 Con4 | Wasserverschlauchung Sammler RHB 1 3 kpl Con4 | x | x | 1 | | 1 | | | | | |
| G078 | 2050486 | Water tubing Collector retractable hand shower 20.10.20 10.10 Con4 | Wasserverschlauchung Sammler RHB 2 4 kpl Con4 | x | x | | 1 | | 1 | | | | |
| G078 | 2055260 | Water tubing Collector retractable hand shower 20.10.10 10.10 UL Con4 | Wasserverschlauchung Sammler RHB 1 3 UL kpl Con4 | x | x | 1 | | 1 | | | | | |
| G078 | 2055261 | Water tubing Collector retractable hand shower 20.10.20 10.10 UL Con4 | Wasserverschlauchung Sammler RHB 2 4 UL kpl Con4 | x | x | | 1 | | 1 | | | | |
| G078 | 2057129 | water piping condenser retractable handshower 6.10 CE Con4 | Wasserverschlauchung Kondensationseinheit Rollhandbrause 6.10 CE | x | x | 1 | | | | | | | |
| G078 | 2057130 | water piping condenser retractable handshower 6.20 CE Con4 | Wasserverschlauchung Kondensationseinheit Rollhandbrause 6.20 CE | x | x | | 1 | | | | | | |
| G078 | 2057131 | water piping condenser retractable handshower 10.10 CE Con4 | Wasserverschlauchung Kondensationseinheit Rollhandbrause 10.10 CE Con4 | x | x | | | 1 | | | | | |
| G078 | 2057132 | water piping condenser retractable handshower 10.20 CE Con4 | Wasserverschlauchung Kondensationseinheit Rollhandbrause 10.20 CE Con4 | x | x | | | | 1 | | | | |
| G078 | 2057133 | water piping condenser retractable handshower 12.20 CE Con4 | Wasserverschlauchung Kondensationseinheit Rollhandbrause 12.20 CE Con4 | x | x | | | | | 1 | | | |
| G078 | 2057134 | water piping condenser retractable handshower 20.10 CE Con4 | Wasserverschlauchung Kondensationseinheit Rollhandbrause 20.10 CE Con4 | x | x | | | | | | 1 | | |
| G078 | 2057135 | water piping condenser retractable handshower 20.20 CE Con4 | Wasserverschlauchung Kondensationseinheit Rollhandbrause 20.20 CE Con4 | x | x | | | | | | | 1 | |
| G078 | 2062501 | water piping condenser retractable handshower 6.10 UL Con4 | Wasserverschlauchung Kondensationseinheit Rollhandbrause 6.10 UL Con4 | x | x | 1 | | | | | | | |
| G078 | 2062502 | water piping condenser retractable handshower 6.20 UL Con4 | Wasserverschlauchung Kondensationseinheit Rollhandbrause 6.20 UL Con4 | x | x | | 1 | | | | | | |
| G078 | 2062503 | water piping condenser retractable handshower 10.10 UL Con4 | Wasserverschlauchung Kondensationseinheit Rollhandbrause 10.10 UL Con4 | x | x | | | 1 | | | | | |
| G078 | 2062504 | water piping condenser retractable handshower 10.20 UL Con4 | Wasserverschlauchung Kondensationseinheit Rollhandbrause 10.20 UL Con4 | x | x | | | | 1 | | | | |
| G078 | 2062505 | water piping condenser retractable handshower 12.20 UL Con4 | Wasserverschlauchung Kondensationseinheit Rollhandbrause 12.20 UL Con4 | x | x | | | | | 1 | | | |
| G078 | 2062506 | water piping condenser retractable handshower 20.10 UL Con4 | Wasserverschlauchung Kondensationseinheit Rollhandbrause 20.10 UL Con4 | x | x | | | | | | 1 | | |
| G078 | 2062507 | water piping condenser retractable handshower 20.20 UL Con4 | Wasserverschlauchung Kondensationseinheit Rollhandbrause 20.20 UL Con4 | x | x | | | | | | | 1 | |
| G079 | 2664815 | Hose PVC Ø 10x1,5 transparent Con4 | Schlauch PVC Ø 10x1,5 klar Con4 | x | x | 1 | 1 | 1 | 1 | 1 | 1 | 1 | |
| G080 | 5056979 | RC-Filter 470nF 150 Ohm Solenoid Boiler+Injection Con4 | RC-Filter 470nF 150 Ohm Magnetv. Boiler+Einspritzung Con4 | x | x | 1 | 1 | 1 | 1 | 1 | 1 | 1 | |
| G081 | 5056980 | RC-Filter 470nF 150 Ohm Solenoid Collector Con4 | RC-Filter 470nF 150 Ohm Magnetventil Sammler Con4 | x | x | 1 | 1 | 1 | 1 | 1 | 1 | 1 | |
| G082 | 5056981 | RC-Filter 470nF 150 Ohm Solenoid Handshower Con4 | RC-Filter 470nF 150 Ohm Magnetventil Rollhandbrause Con4 | x | x | 1 | 1 | 1 | 1 | 1 | 1 | 1 | |
| G083 | 5052759 | RC-Filter 470nF 150 Ohm Solenoid vapor removal Con4 | RC-Filter 470nF 150 Ohm Magnetventil Kondensationseinheit Con4 | x | x | 1 | 1 | 1 | 1 | 1 | 1 | 1 | |
| H004 | 7064045 | Drip Tray Sewagehose 6.10/10.10(incl.7050585) Con4 | Tropfrinnenschlauch 6.10/10.10(incl.7050585) Con4 | x | x | 1 | | 1 | | | | | |
| H004 | 7064046 | Drip Tray Sewagehose 6.20/10.20(incl.7050599) Con4 | Tropfrinnenschlauch 6.20/10.20(incl.7050599) Con4 | x | x | | 1 | | 1 | | | | |
| H020 | 8005041 | Washer 6.4 A2 P2, P3, Con4 | Scheibe 6,4 A2 P2, P3, Con4 | x | x | 1 | 1 | 1 | 1 | 1 | 1 | 1 | |
| H022 | 4064133 | Relais 230V/AC Grease Separator Con4 | Relais 230V/AC Fettabscheider Con4 | x | x | 1 | 1 | 1 | 1 | | | | |
| H024 | 5064136 | Float Fettabscheider Con4 | Schwimmer Fettabscheider Con4 | x | x | 1 | 1 | 1 | 1 | | | | |
| H025 | 7064216 | Grease separator hose elbow Ø13 12.20/20.10/20.20 Con4 | Fettabscheider Schlauchwinkel Ø13 12.20/20.10/20.20 Con4 | x | x | 1 | | | 1 | 1 | 1 | | |
| H025 | 7064134 | Grease separator hose elbow Ø13 6.10/6.20/10.10/10.20 Con4 | Fettabscheider Schlauchwinkel Ø13 6.10/6.20/10.10/10.20 Con4 | x | x | 1 | 1 | 1 | 1 | | | | |
| H026 | 2164228 | Fixing bracket Drainbox floor models Con4 | Haltewinkel Drainbox Standgeräte Con4 | x | x | | | | | 1 | 1 | 1 | |
| H026 | 2464293 | Bracket Drainbox tabletop models Con4 | Haltewinkel Drainbox Tischgeräte Con4 | x | x | 1 | 1 | 1 | 1 | | | | |
| H027 | 7064086 | Waste water hose 6.10/10.10 El. Ø22 Boiler-Drainbox Con4 | Abwasserschlauch 6.10/10.10 El. Ø22 Boiler-Drainbox Con4 | x | x | 1 | | 1 | | | | | |
| H027 | 7064087 | Waste water hose 6.20/10.20 El. Ø22 Boiler-Drainbox Con4 | Abwasserschlauch 6.20/10.20 El. Ø22 Boiler-Drainbox Con4 | x | x | | 1 | | 1 | | | | |
| H027 | 7064088 | Waste water hose 20.10 GAS 20.10/20.20 Electric Ø22 Con4 | Abwasserschlauch 20.10 GAS 20.10/20.20 Elektro Ø22 Con4 | x | x | | | | | | 1 | 1 | |
| H027 | 7064088 | Waste water hose 20.10 GAS 20.10/20.20 Electric Ø22 Con4 | Abwasserschlauch 20.10 GAS 20.10/20.20 Elektro Ø22 Con4 | x | x | | | | | | | 1 | |
| H027 | 7064089 | Waste water hose 20.20GAS 12.20Electric Ø22 Con4 | Abwasserschlauch 20.20GAS 12.20Elektro Ø22 Con4 | x | x | | | | 1 | | | | |
| H027 | 7064089 | Waste water hose 20.20GAS 12.20Electric Ø22 Con4 | Abwasserschlauch 20.20GAS 12.20Elektro Ø22 Con4 | x | x | | | | | 1 | | | |
| H027 | 7064090 | Waste water hose 6.10 GAS Ø22 Boiler-Drainbox Con4 | Abwasserschlauch 6.10 GAS Ø22 Boiler-Drainbox Con4 | x | x | 1 | | | | | | | |
| H027 | 7064091 | Waste water hose 6.20/10.20 GAS Ø22 Boiler-Drainbox Con4 | Abwasserschlauch 6.20/10.20 GAS Ø22 Boiler-Drainbox Con4 | x | x | | 1 | | 1 | | | | |
| H027 | 7064092 | Waste water hose 10.10 GAS Ø22 Boiler-Drainbox Con4 | Abwasserschlauch 10.10 GAS Ø22 Boiler-Drainbox Con4 | x | x | | | 1 | | | | | |
| H028 | 7064084 | Waste water hose 6.10to10.20 Ø22 Collector-Drainbox Con4 | Abwasserschlauch 6.10 bis 10.20 Ø22 Sammler-Drainbox Con4 | x | x | 1 | 1 | 1 | 1 | | | | |
| H028 | 7064085 | Waste water hose 12.20to20.20 Ø22 Collector-Drainbox Con4 | Abwasserschlauch 12.20bis20.20 Ø22 Sammler-Drainbox Con4 | x | x | | | | | 1 | 1 | 1 | |
| H029 | 5056380 | Drainage pump collector Con4 | Entleerungspumpe Sammler Con4 | x | x | 1 | 1 | 1 | 1 | 1 | 1 | 1 | -5M0 |
| H030 | 6064296 | Cap Collector box pipe Ø 21 | Kappe Sammlerbox Ø 21 | x | x | 1 | 1 | 1 | 1 | 1 | 1 | 1 | |
| H031 | 6064297 | Cap Collector box pipe Ø 18 | Kappe Sammlerbox Ø 18 | x | x | 2 | 2 | 2 | 2 | 2 | 2 | 2 | |
| H032 | 6064298 | Cap Collector box pipe Ø 15 | Kappe Sammlerbox Ø 15 | x | x | 2 | 2 | 2 | 2 | 2 | 2 | 2 | |
| H033 | 6064299 | Cap Collector box pipe Ø 6 | Kappe Sammlerbox Ø 6 | x | x | 1 | 1 | 1 | 1 | 1 | 1 | 1 | |
| H034 | 8050770 | Hose clamp 25,2 Ø passivated yellow Con4 | Drahtschelle Ø25,2 gelb passiviert Con4 | x | x | 3 | 3 | 3 | 3 | 3 | 3 | 3 | |
| H035 | 6056494 | Sealing collar 60mm für Drainbox Con4 | Dichtmanschette 60mm für Drainbox Con4 | x | x | 1 | 1 | 1 | 1 | 1 | 1 | 1 | |
| H036 | 2664206 | Grease separator unit 6,x, 10,x CE Con4 | Fettabscheider Einheit 6,x, 10,x CE Con4 | x | x | 1 | 1 | 1 | 1 | | | | |
| H036 | 2664207 | Grease separator unit 6,x, 10,x UL Con4 | Fettabscheider Einheit 6,x, 10,x UL Con4 | x | x | 1 | 1 | 1 | 1 | | | | |
| H036 | 2664208 | Grease separator unit 20.10 Con4 | Fettabscheider Einheit 20.10 Con4 | x | x | | | | | | 1 | | |
| H036 | 2664210 | Grease separator unit 12,20, 20,20 Con4 | Fettabscheider Einheit 12,20, 20,20 Con4 | x | x | | | | | 1 | | 1 | |
| H037 | 2456493 | Drainbox Con4 | Abwasserbox Con4 | x | x | 1 | 1 | 1 | 1 | 1 | 1 | 1 | |
| H039 | 5064135 | Pump 12V Grease Separator Con4 | Pumpe 12V Fettabscheider Con4 | x | x | 1 | 1 | 1 | 1 | | | | |
| H040 | 5056978 | RC-Filter 0.15µF 120 Ohm Pump Collector Con4 | RC-Filter 0.15µF 120 Ohm Pumpe Sammler Con4 | x | x | 1 | 1 | 1 | 1 | 1 | 1 | 1 | |
| H041 | 6063044 | Exhaust pipe with cooling nozzle 6.10/6.20 Con4 | Abluftrohr mit Ablöschdüse 6.10/6.20 Con4 | x | x | 1 | | | | | | | |
| H041 | 6063045 | Exhaust pipe with cooling nozzle 10.10/10.20 Con4 | Abluftrohr mit Ablöschdüse 10.10/10.20 Con4 | x | x | | | 1 | 1 | | | | |
| H041 | 6063046 | Exhaust pipe with cooling nozzle 12.20 Con4 | Abluftrohr mit Ablöschdüse 12.20 Con4 | x | x | | | | | 1 | | | |
| H041 | 6063047 | Exhaust pipe with cooling nozzle 20.10/20.20 Con4 | Abluftrohr mit Ablöschdüse 20.10/20.20 Con4 | x | x | | | | | | 1 | 1 | |
| H042 | 6056495 | Grommet 50mm Collector electric Con4 | Dichtmanschette Ø50 Sammler Elektro Con4 | x | x | 1 | 2 | 1 | 2 | | | | |
| H044 | 6064280 | Exhaust pipe right 12.20 Con4 | Abluftrohr rechts 12.20 Con4 | x | x | | | | | 1 | | | |
| H044 | 6064281 | Exhaust pipe right 20.10/20.20 Con4 | Abluftrohr rechts 20.10/20.20 Con4 | x | x | | | | | | 1 | 1 | |
| H045 | 8055698 | Hose clamp 23,5-27 screwable Con4 | Drahtschelle 23,5-27 schraubbar Con4 | x | x | 1 | 1 | 1 | 1 | 1 | 1 | 1 | |
| H046 | 8055699 | Hose clamp 27-31 screwable Con4 | Drahtschelle 27-31 schraubbar Con4 | x | x | 1 | 1 | 1 | 1 | 1 | 1 | 1 | |
| I001 | 6055086 | Mounting assembly dosage pump x.20 ConvoClean Con4 | Montageeinheit Dosierpumpe x.20 ConvoClean Con4 | x | x | | 1 | | 1 | 1 | 1 | 1 | |
| I001 | 6064205 | Mounting assembly dosage pump x.10 ConvoClean Con4 | Montageeinheit Dosierpumpe x.10 ConvoClean Con4 | x | x | 1 | | 1 | | | | | |
| I002 | 5056376 | Dosage pump CONVOClean Con4 | Dosierpumpe CONVOClean Con4 | x | x | 2 | 2 | 2 | 2 | 2 | 2 | 2 | -7M0 |
| I003 | 5056352 | Pressure switch 13mbar Con4 | Druckschalter 13mbar Con4 | x | x | 1 | 1 | 1 | 1 | 1 | 1 | 1 | -7B0 |
| I004 | 6064036 | Preformed hose dosage pump CONVOClean Con4 | Formschlauch Dosierpumpe CONVOClean Con4 | x | x | 1 | 1 | 1 | 1 | 1 | 1 | 1 | |

| # | ET-Nr. Part No | Description | Beschreibung | Elektro | Gas | 6.10 | 6.20 | 10.10 | 10.20 | 12.20 | 20.10 | 20.20 | BMK / ID |
|------|-------------------|---|---|---------|-----|------|------|-------|-------|-------|-------|-------|------------------------------------|
| I006 | 6005414 | Hose coupling (elbow) 6mm P3 Con4 | Winkel-Schlauchverbindungsstutzen 6mm P3 Con4 | x | x | 1 | 1 | 1 | 1 | 1 | 1 | 1 | |
| I007 | 2619150 | Bulkhead union M10 6 mm P3 Con4 | Schottverschraubung M10 6mm P3 Con4 | x | x | 2 | 2 | 2 | 2 | 2 | 2 | 2 | |
| I008 | 2617594 | Suction pipe, ConvoClean with suction lance P3 Con4 | Saugschlauch ConvoClean mit Ansauglanze P3 Con4 | x | x | 1 | 1 | 1 | 1 | 1 | 1 | 1 | |
| I009 | 2617598 | Suction pipe, ConvoCare with suction lance P3 Con4 | Saugschlauch ConvoCare mit Ansauglanze P3 Con4 | x | x | 1 | 1 | 1 | 1 | 1 | 1 | 1 | |
| I010 | 3007061 | Dirty filter for CONVOCare P3 / OES mini Con4 | Schmutzsieb für CONVOCare P3 / OES mini Con4 | x | x | 1 | 1 | 1 | 1 | 1 | 1 | 1 | |
| I011 | 7012302 | Cleaner Tube EPDM black DN 6x2mm Con4 | Reiniger Schlauch EPDM schwarz DN 6x2mm Con4 | x | x | 1 | 1 | 1 | 1 | 1 | 1 | 1 | |
| I016 | 2625117 | Mounting accessories for sprayer Con4 | Montagezubehör für Einspritzung Con4 | x | x | 1 | 1 | 1 | 1 | 1 | 1 | 1 | |
| I016 | 8050864 | Nut M22x1,5 A2 Con4 | Sechskantmutter M22x1,5 A2 Con4 | x | x | 1 | 1 | 1 | 1 | 1 | 1 | 1 | |
| I026 | 7012051 | ConvoClean hose green for neutralizer line Con4 | PVC Schlauch grün ConvoCare 6/2 Con4 | x | x | 1 | 1 | 1 | 1 | 1 | 1 | 1 | |
| I027 | 7002002 | ConvoClean hose red for detergent line Con4 | PVC Schlauch rot ConvoClean 6/2 Con4 | x | x | 1 | 1 | 1 | 1 | 1 | 1 | 1 | |
| I028 | 6006122 | Hose Clamp TB11 10-12mm | Schlauchschele TB11 10-12mm | x | x | 2 | 2 | 2 | 2 | 2 | 2 | 2 | |
| I028 | 6063055 | Hose clamp 10-12 W1 galvanized | Schlauchschele 10-12 W1 verzinkt | x | x | 2 | 2 | 2 | 2 | 2 | 2 | 2 | |
| I029 | 8009058 | Wire clamp Ø10 CNS Con4 | Drahtschele Ø10 CNS Con4 | x | x | 8 | 8 | 8 | 8 | 8 | 8 | 8 | |
| I034 | 8019010 | Wire clamp Ø16 CNS Con4 | Drahtschele Ø16 CNS Con4 | x | x | 1 | 1 | 1 | 1 | 1 | 1 | 1 | |
| I036 | 6019109 | CONVOClean adhesive label Con4 | Kenzeichnungsaufkleber CONVOClean Con4 | x | x | 1 | 1 | 1 | 1 | 1 | 1 | 1 | |
| I037 | 6019128 | CONVOCare adhesive label Con4 | Kenzeichnungsaufkleber CONVOCare Con4 | x | x | 1 | 1 | 1 | 1 | 1 | 1 | 1 | |
| I046 | 6064211 | Elbow hose ConvoClean Con4 | Schlauchwinkel ConvoClean Con4 | x | x | 1 | 1 | 1 | 1 | 1 | 1 | 1 | |
| I049 | 8050885 | Wire clamp Ø11,3 CNS Con4 | Drahtschele Ø11,3 CNS Con4 | x | x | 3 | 3 | 3 | 3 | 3 | 3 | 3 | |
| I050 | 6064213 | Piping bottom x.20 ConvoClean Con4 | Rohrleitung Boden x.20 ConvoClean Con4 | x | x | 1 | 1 | 1 | 1 | 1 | 1 | 1 | |
| I050 | 6064212 | Piping bottom x.10 ConvoClean Con4 | Rohrleitung Boden x.10 ConvoClean Con4 | x | x | 1 | 1 | 1 | 1 | 1 | 1 | 1 | |
| I051 | 6064215 | Piping top x.20 ConvoClean Con4 | Rohrleitung Decke x.20 ConvoClean Con4 | x | x | 1 | 1 | 1 | 1 | 1 | 1 | 1 | |
| I051 | 6064214 | Piping top x.10 ConvoClean Con4 | Rohrleitung Decke x.10 ConvoClean Con4 | x | x | 1 | 1 | 1 | 1 | 1 | 1 | 1 | |
| I052 | 8050868 | Hose clamp 22,1 Ø passivated blue Con4 | Drahtschele Ø22,1 blau passiviert Con4 | x | x | 3 | 3 | 3 | 3 | 3 | 3 | 3 | |
| I053 | 8050771 | Hose clamp Ø30,0 passivated blue Con4 | Drahtschele Ø30,0 blau passiviert Con4 | x | x | 2 | 2 | 2 | 2 | 2 | 2 | 2 | |
| I054 | 8050688 | Hose clamp Ø27,5 passivated blue Con4 | Drahtschele Ø27,5 blau passiviert Con4 | x | x | 1 | 1 | 1 | 1 | 1 | 1 | 1 | |
| I055 | 5056337 | Circulation pump CONVOClean System Con4 | Zirkulationspumpe CONVOClean System Con4 | x | x | 1 | 1 | 1 | 1 | 1 | 1 | 1 | -7M2 |
| I056 | 7064209 | Hose connecting pump Con4 | Verbindungsstück Pumpe Con4 | x | x | 1 | 1 | 1 | 1 | 1 | 1 | 1 | |
| I057 | 4050880 | Capacitor 2,5µF 450V Con4 | Kondensator 2,5µF 450V Con4 | x | x | 1 | 1 | 1 | 1 | 1 | 1 | 1 | |
| I058 | 7050852 | Hose Piping bottom to Piping top ConvoClean Con4 | Schlauch von Rohrleitung Boden zu Rohrleitung Decke ConvoClean Con4 | x | x | 1 | 1 | 1 | 1 | 1 | 1 | 1 | |
| K002 | 5018027K | Fan safety grill 120 mm, with fixing accessories | Lüfterschutzgitter 120 mm mit Montagematerial | x | x | 1 | 1 | 1 | 1 | 1 | 1 | 1 | |
| K012 | 6005021 | Rubber bushing Ø 42mm P3 Con4 | Membrantülle Ø42mm P3 Con4 | x | x | 1 | 1 | 1 | 1 | 1 | 1 | 1 | |
| K018 | 2057100 | Condensation unit 6.10 Con4 | Kondensationseinheit 6.10 Con4 | x | x | 1 | | | | | | | |
| K018 | 2057101 | Condensation unit 6.20 Con4 | Kondensationseinheit 6.20 Con4 | x | x | 1 | | | | | | | |
| K018 | 2057102 | Condensation unit 10.10 Con4 | Kondensationseinheit 10.10 Con4 | x | x | | 1 | | | | | | |
| K018 | 2057103 | Condensation unit 10.20 Con4 | Kondensationseinheit 10.20 Con4 | x | x | | | 1 | | | | | |
| K018 | 2057104 | Condensation unit 12.20 Con4 | Kondensationseinheit 12.20 Con4 | x | x | | | | 1 | | | | |
| K018 | 2057105 | Condensation unit 20.10 20.20 Con4 | Kondensationseinheit 20.10 20.20 Con4 | x | x | | | | | 1 | 1 | | |
| K019 | 2064294 | Condensation unit Water Piping 12.20 20.10 20.20 Con4 | Kondensationseinheit Wasserverteiler 12.20 20.10 20.20 Con4 | x | x | | | | | 1 | 1 | 1 | |
| K019 | 6064295 | Condensation unit Water Piping 6.10 6.20 10.10 10.20 Con4 | Kondensationseinheit Wasserverteiler 6.10 6.20 10.10 10.20 Con4 | x | x | 1 | 1 | 1 | 1 | | | | |
| K020 | 6056198 | Nozzle Condensation unit Con4 | Düse Kondensationseinheit Con4 | x | x | 2 | 2 | 2 | 2 | 3 | 3 | 3 | |
| K032 | 3429323 | Smoker Box compl. Con4 | Räucherbox kompl. Con4 | x | x | 1 | 1 | 1 | 1 | | | | |
| K033 | 2164331 | Cover User Interface Prison Con4 | Abdeckung User Interface Gefängnisversion Con4 | x | x | 1 | 1 | 1 | 1 | 1 | 1 | 1 | |
| K033 | 2665171 | Retrofit kit Prison Version tabletop models Con4 | Nachrüstset Gefängnisversion Tischgeräte Con4 | x | x | 1 | 1 | 1 | 1 | | | | |
| K033 | 2665172 | Retrofit kit Prison Version floor models Con4 | Nachrüstset Gefängnisversion Standgeräte Con4 | x | x | | | | | 1 | 1 | 1 | |
| K034 | 2164335 | Cover Locking bracket User Interface Prison Con4 | Verschlusswinkel Abdeckung User Interface Con4 | x | x | 1 | 1 | 1 | 1 | 1 | 1 | 1 | |
| K035 | 2164337 | Angle door block front Table Top Prison Con4 | Winkel Türsperre Front Tischgeräte Gefängnisversion Con4 | x | x | 1 | 1 | 1 | 1 | | | | |
| K035 | 2164340 | Angle door block front Floor Unit Prison Con4 | Winkel Türsperre Front Standgeräte Gefängnisversion Con4 | x | x | | | | | 1 | 1 | 1 | |
| K036 | 2164338 | Angle door block Table Top Prison Con4 | Winkel Türsperre Tür Tischgeräte Gefängnisversion Con4 | x | x | 1 | 1 | 1 | 1 | | | | |
| K036 | 2164341 | Angle door block Floor Unit Prison Con4 | Winkel Türsperre Tür Standgeräte Gefängnisversion Con4 | x | x | | | | | 1 | 1 | 1 | |
| K037 | 8051724 | Countersunk socket screw M5x12 A2 Con4 | Senkschraube Innensechskant M5x12 A2 Con4 | x | x | 4 | 4 | 4 | 4 | 4 | 4 | 4 | |
| K038 | 8017010 | Click nut M5 A4 Con4 | Sperrzahnmutter M5 A4 Con4 | x | x | 4 | 4 | 4 | 4 | 4 | 4 | 4 | |
| M001 | 5153054 | Electric box GS 20.10 11 16 Con4 | Montageplatte GS 20.10 11 16 Con4 | x | x | | | | | | | 1 | |
| M001 | 5153068 | Electric box GS 20.10 60 Con4 | Montageplatte GS 20.10 60 Con4 | x | x | | | | | | | 1 | |
| M001 | 5153096 | Electric box GS 20.10 14 15 Con4 | Montageplatte GS 20.10 14 15 Con4 | x | x | | | | | | | 1 | |
| M001 | 5153047 | Electric box GB 20.10 11 16 Con4 | Montageplatte GB 20.10 11 16 Con4 | x | x | | | | | | | 1 | |
| M001 | 5153061 | Electric box GB 20.10 60 Con4 | Montageplatte GB 20.10 60 Con4 | x | x | | | | | | | 1 | |
| M001 | 5153089 | Electric box GB 20.10 14 15 Con4 | Montageplatte GB 20.10 14 15 Con4 | x | x | | | | | | | 1 | |
| M001 | 5153055 | Electric box GS 20.20 11 16 Con4 | Montageplatte GS 20.20 11 16 Con4 | x | x | | | | | | | 1 | |
| M001 | 5153069 | Electric box GS 20.20 60 Con4 | Montageplatte GS 20.20 60 Con4 | x | x | | | | | | | 1 | |
| M001 | 5153097 | Electric box GS 20.20 14 15 Con4 | Montageplatte GS 20.20 14 15 Con4 | x | x | | | | | | | 1 | |
| M001 | 5153048 | Electric box GB 20.20 11 16 Con4 | Montageplatte GB 20.20 11 16 Con4 | x | x | | | | | | | 1 | |
| M001 | 5153062 | Electric box GB 20.20 60 Con4 | Montageplatte GB 20.20 60 Con4 | x | x | | | | | | | 1 | |
| M001 | 5153090 | Electric box GB 20.20 14 15 Con4 | Montageplatte GB 20.20 14 15 Con4 | x | x | | | | | | | 1 | |
| M002 | 4014002 | Plug-in bridge 2pol 2,5mm² red Con4 | Steckbrücke 2Pol 2,5mm² rot Con4 | x | x | 2 | 2 | 2 | 2 | 2 | 2 | 2 | -1X0 -2X0 -2F0 -2F1 -2F2 -3F5 -3F6 |
| M003 | 5056374 | Frequency converter M2 0.75kW (0.55kW) 1N~ 200-240V Con4 | Frequenzumrichter M2 0.75kW (0.55kW) 1N~ 200-240V Con4 | x | x | 1 | 1 | 1 | 1 | 2 | 2 | 2 | -3T5 -3T6 |
| M003 | 5056386 | Frequency converter F1 0.75kW 1N~ 100-120V Con4 | Frequenzumrichter F1 0.75kW 1N~ 100-120V Con4 | x | x | 1 | 1 | 1 | 1 | 2 | 2 | 2 | -3T5 -3T6 |
| M003 | 5056387 | Frequency converter N4 0.75kW 3~ 400-480V Con4 | Frequenzumrichter N4 0.75kW 3~ 400-480V Con4 | x | x | 1 | 1 | 1 | 1 | 2 | 2 | 2 | -3T5 -3T6 |
| M004 | 5056975 | Autotransformer 378VA 100/110/120V-230V Con4 | Spartrafo 378VA 100/110/120V-230V Con4 | x | x | 1 | 1 | 1 | 1 | | | | -2T1 |
| M004 | 5056976 | Autotransformer 488VA 100/110/120V-230V Con4 | Spartrafo 488VA 100/110/120V-230V Con4 | x | x | 1 | 1 | 1 | 1 | | | | -2T1 |
| M004 | 5052727 | Autotransformer 268VA 380/400/440/480V-230V Con4 | Spartrafo 268VA 380/400/440/480V-230V Con4 | x | x | 1 | 1 | 1 | 1 | | | | -2T1 |
| M004 | 5052728 | Autotransformer 388VA 380/400/440/480V-230V Con4 | Spartrafo 388VA 380/400/440/480V-230V Con4 | x | x | | | | | 1 | 1 | | -2T2 |
| M004 | 5065465 | Smoothing coil 2PH 2 x 10mH 2,7 A (Geräte ohne -2V0) Con4 | Drossel 2PH 2 x 10mH 2,7 A (Geräte ohne -2V0) Con4 | x | x | 1 | 1 | 1 | 1 | 1 | | | -3R5 |
| M005 | 5056967 | Line Filter 3Ph/N 32A FMAD Con4 | Netzfilter 3Ph/N 32A FMAD Con4 | x | x | 1 | 1 | 1 | | | | | -2V0 |
| M005 | 5056968 | Line Filter 3Ph/N 64A FMAD Con4 | Netzfilter 3Ph/N 64A FMAD Con4 | x | x | | | | 1 | 1 | 1 | | -2V0 |
| M005 | 5056969 | Line Filter 3Ph/N 120A FMAD Con4 | Netzfilter 3Ph/N 120A FMAD Con4 | x | x | | | | | | 1 | | -2V0 |
| M005 | 5065089 | Capacitor net filter 2x3,3µF/1x1,0µF LGF Con4 | Kondensatornetzfilter 2x3,3µF/1x1,0µF LGF Con4 | x | x | 1 | 1 | 1 | | | | | -2V0 |
| M005 | 5065090 | Capacitor net filter 3x3,3µF LGF Con4 | Kondensatornetzfilter 3x3,3µF LGF Con4 | x | x | | | | 1 | 1 | 2 | | -2V0 -2V1 |
| M005 | 5056970 | Line Filter 3Ph 32A FMAC Con4 | Netzfilter 3Ph 32A FMAC Con4 | x | x | 1 | 1 | | | | | | -2V0 |
| M005 | 5056971 | Line Filter 3Ph 200-240V 64A FMAC Con4 | Netzfilter 3Ph 200-240V 64A FMAC Con4 | x | x | 1 | 1 | | | | | | -2V0 |
| M005 | 5056972 | Line Filter 3Ph 125A FMAC Con4 | Netzfilter 3Ph 125A FMAC Con4 | x | x | | | | 1 | 1 | 1 | | -2V0 |
| M005 | 5056973 | Line Filter 3Ph 200A FMAC Con4 | Netzfilter 3Ph 200A FMAC Con4 | x | x | | | | | | | 1 | -2V0 |
| M005 | 5056974 | Line Filter 1Ph 16A FSW2 Con4 | Netzfilter 1Ph 16A FSW2 Con4 | x | x | 1 | 1 | 1 | 1 | 1 | 1 | 1 | -2V0 |
| M006 | 5056372 | Temperature switch 80° C Con4 | Temperaturschalter 80° C Con4 | x | x | 1 | 1 | 1 | 1 | 1 | 1 | 1 | -2B9 |
| M007 | 5056961 | Main-Contactor 10A Con4 | Hauptschütz 10A Con4 | x | x | 1 | 1 | 1 | 1 | 1 | 1 | 1 | -2Q1 |
| M007 | 5056373 | Main-Contactor 18A Con4 | Hauptschütz 18A Con4 | x | x | 1 | 1 | 1 | | | | | -2Q1 |
| M007 | 5056962 | Main-Contactor 32A 3N~ 400V Con4 | Hauptschütz 32A 3N~ 400V Con4 | x | x | | | | 1 | 1 | 1 | | -2Q1 |
| M007 | 5056962 | Main-Contactor 32A 3~ 200-240V / 3~ 440-480V Con4 | Hauptschütz 32A 3~ 200-240V / 3~ 440-480V Con4 | x | x | 1 | 1 | 1 | | | | | -2Q1 |
| M007 | 5056963 | Main-Contactor 74A 3~ 400-480V Con4 | Hauptschütz 74A 3~ 400-480V Con4 | x | x | | | | | | | 1 | -2Q1 |
| M007 | 5056963 | Main-Contactor 74A 3~ 200-240V / 3~ 400V Con4 | Hauptschütz 74A 3~ 200-240V / 3~ 400V Con4 | x | x | | | | 1 | 1 | 1 | | -2Q1 |
| M007 | 5056964 | Main-Contactor 176A Con4 | Hauptschütz 176A Con4 | x | x | | | | | | | 1 | -2Q1 |
| M008 | 4056389 | Fuse Terminal 6.3x32mm Con4 | Sicherungsklemme 6.3x32mm Con4 | x | x | 3 | 3 | 3 | 3 | 4 | 4 | 4 | -2F0 -2F1 -2F2 -3F5 -3F6 |
| M009 | 4056489 | Fuse terminal 10.3x38mm UL Con4 | Sicherungsklemme 10.3x38mm UL Con4 | x | x | 2 | 2 | 2 | 2 | 2 | 4 | 4 | -3F5 -3F6 |

| # | ET-Nr. Part No | Description | Beschreibung | Elektro | Gas | 6.10 | 6.20 | 10.10 | 10.20 | 12.20 | 20.10 | 20.20 | BMK / ID |
|------|-------------------|--|---|---------|-----|------|------|-------|-------|-------|-------|-------|---|
| M010 | 4056986 | End cover quad 2,5mm ² Gy Con4 | Deckel 4-fach 2,5mm ² Gy Con4 | x | x | 2 | 2 | 2 | 2 | 2 | 1 | 1 | -1X0 -1X1 |
| M011 | 4056412 | End cover 1 / 4 -times 10 / 2.5mm ² Gy Con4 | Deckel 1 / 4-fach 10 / 2.5mm ² Gy Con4 | x | x | 1 | 1 | 1 | 1 | 1 | | | -2X0 |
| M012 | 4056987 | Terminal quad 2,5mm ² Bu Con4 | Klemme 4-fach 2,5mm ² Bu Con4 | x | x | 2 | 2 | 2 | 2 | 2 | 3 | 3 | -1X1 |
| M013 | 4052144 | End clamp Gy Con4 | Endhalter Tragschiene Gy Con4 | x | x | x | x | x | x | x | x | x | |
| M014 | 4056988 | Terminal quad 2,5mm ² Gy Con4 | Klemme 4-fach 2,5mm ² Gy Con4 | x | x | 2 | 2 | 2 | 2 | 2 | 2 | 2 | -1X1 |
| M015 | 4056985 | Terminal quad 2,5mm ² GnYe Con4 | Klemme 4-fach 2,5mm ² GnYe Con4 | x | x | 5 | 5 | 5 | 5 | 5 | 7 | 7 | -1X0 -1X7 |
| M016 | 4056405 | Terminal 4mm ² Gy Con4 | Klemme 4mm ² Gy Con4 | x | x | 1 | 1 | 1 | 1 | 1 | 1 | 1 | -1X0 |
| M017 | 4056990 | Terminal 4mm ² Bu Con4 | Klemme 4mm ² Bu Con4 | x | x | 1 | 1 | 1 | 1 | 1 | 1 | 1 | -1X0 |
| M018 | 4056404 | Terminal 4mm ² GnYe Con4 | Klemme 4mm ² GnYe Con4 | x | x | 1 | 1 | 1 | 1 | 1 | 1 | 1 | -2X0 |
| M018 | 4056404 | Terminal 4mm ² GnYe Con4 | Klemme 4mm ² GnYe Con4 | x | x | 2 | 2 | 2 | 2 | 2 | 2 | 2 | -1X0 |
| M019 | 4056406 | Terminal triple 4mm ² Gy Con4 | Klemme 3-fach 4mm ² Gy Con4 | x | x | 6 | 6 | 5 | 5 | 5 | 7 | 7 | -2X0 |
| M020 | 4056407 | End cover triple 4mm ² Gy Con4 | Deckel 3-fach 4mm ² Gy Con4 | x | x | 2 | 2 | 2 | 2 | 2 | 2 | 2 | -2X0 |
| M021 | 4056354 | Fuse T4A 10 pc. 6.3x32mm Con4 | G-SICHERUNG T4A 10 Stück 6.3x32mm Con4 | x | x | 2 | 2 | 2 | 2 | 2 | 2 | 2 | -2F0 -2F1 -2F2 |
| M021 | 4056355 | Fuse T10A 10 pc.6.3x32mm Con4 | G-SICHERUNG T10A 10 Stück 6.3x32mm Con4 | x | x | 1 | 1 | 1 | 1 | 1 | 2 | 2 | -3F5 -3F6 |
| M021 | 4056944 | Fuse T2A 10 pc. 5x20mm Con4 | G-SICHERUNG T2A 10 Stück 5x20mm Con4 | x | x | 5 | 5 | 5 | 5 | 5 | 5 | 5 | F1 F3 F5 F8 F10 |
| M021 | 4056945 | Fuse T3.15A 10 pc.5x20mm Con4 | G-SICHERUNG T3.15A 10 Stück 5x20mm Con4 | x | x | 3 | 3 | 3 | 3 | 3 | 3 | 3 | F2 F6 F7 |
| M021 | 4056414 | Fuse LP-CC 10A 1 pc. 10.3x38mm UL Con4 | Sicherung LP-CC 10A 1 Stück 10.3x38mm UL Con4 | x | x | 2 | 2 | 2 | 2 | 2 | 4 | 4 | -3F5 -3F6 |
| M021 | 4056490 | Fuse LP-CC 6A 1 pc.10.3x38mm UL Con4 | Sicherung LP-CC 6A 1 Stück 10.3x38mm UL Con4 | x | x | 3 | 3 | 3 | 3 | 3 | 6 | 6 | -3F5 -3F6 |
| M021 | 4056982 | Fuse LP-CC 15A 1 pc.10.3x38mm UL Con4 | Sicherung LP-CC 15A 1 Stück 10.3x38mm UL Con4 | x | x | | | | | | 2 | 2 | -3F5 -3F6 |
| M021 | 4052193 | Fuse LP-CC 1,0A 10.3x38mm UL Con4 | Sicherung LP-CC 1,0A 10.3x38mm UL Con4 | x | x | 2 | 2 | 2 | 2 | 2 | | | -2F0 -2F1 |
| M021 | 4052194 | Fuse LP-CC 1,4A 10.3x38mm UL Con4 | Sicherung LP-CC 1,4A 10.3x38mm UL Con4 | x | x | | | | | | 2 | 2 | -2F0 -2F1 |
| M022 | 5056388 | Heat sink Aluminum 112x100x67 Con4 | Kühlkörper Alu 112x100x67 Con4 | x | x | 2 | 2 | 2 | 2 | 2 | 2 | 3 | -3S0 -3S1 -3S2 -3S3 -4S0 -4S1 -4S2 |
| M023 | 5056381 | Solid state relay 90A Con4 | Elektronisches Schaltrelais 90A Con4 | x | x | 4 | 4 | 4 | 4 | 4 | 4 | 6 | -3K1 -3K2 -3K3 -3K4 -3K5 -3K6 -3K7 -3K8 -4K1 -4K2 -4K3 -4K4 -4K5 -4K6 |
| M025 | 4052047 | Terminal 1/4-times 10/2,5mm ² BU Con4 | Klemme 1/4-fach 10/2,5mm ² BU Con4 | x | x | | | | | | 1 | 1 | -1X0 |
| M026 | 4056390 | Terminal quad 4mm ² GnYe Con4 | Klemme 4-fach 4mm ² GnYe Con4 | x | x | 2 | 2 | 2 | 2 | 2 | 2 | 3 | -1X0 |
| M027 | 4056391 | End cover quad 4mm ² Gy Con4 | Deckel 4-fach 4mm ² Gy Con4 | x | x | 1 | 1 | 1 | 1 | 1 | 1 | 1 | -1X0 |
| M028 | 4056410 | Terminal 1 / 4 -times 35 / 6mm ² Gy Con4 | Klemme 1 / 4-fach 35 / 6mm ² Gy Con4 | x | x | | | | 6 | 6 | 6 | 9 | -2X0 |
| M029 | 4056402 | Terminal triple 16mm ² Gy Con4 | Klemme 3-fach 16mm ² Gy Con4 | x | x | | | | 6 | 6 | 6 | 6 | -1X1 |
| M030 | 4056399 | Terminal 6mm ² GnYe Con4 | Klemme 6mm ² GnYe Con4 | x | x | 1 | 1 | 1 | | | | | -1X0 |
| M031 | 4056398 | Terminal 6mm ² Gy Con4 | Klemme 6mm ² Gy Con4 | x | x | 3 | 3 | 3 | 3 | 3 | | | -1X0 -2X0 |
| M032 | 4056400 | Terminal 6mm ² Bu Con4 | Klemme 6mm ² Bu Con4 | x | x | 1 | 1 | 1 | | | | | -1X0 |
| M033 | 4056401 | End cover 6mm ² Gy Con4 | Deckel 6mm ² Gy Con4 | x | x | 1 | 1 | 1 | | | | | -1X0 |
| M034 | 4056403 | End cover triple 16mm ² Gy Con4 | Deckel 3-fach 16mm ² Gy Con4 | x | x | | | | 1 | 1 | 1 | 1 | -1X1 |
| M035 | 4056413 | End cover 4mm ² Gy Con4 | Deckel 4mm ² Gy Con4 | x | x | 1 | 1 | 1 | 1 | 1 | 1 | 1 | -1X0 -2X0 |
| M036 | 5056965 | Auxiliary Switch 1NO B&J Con4 | Hilfskontakt 1S B&J Con4 | x | x | 1 | 1 | 1 | 1 | 1 | 1 | 1 | -2Q1 |
| M036 | 5056966 | Auxiliary Switch 1NO1NC B&J. Main-Contactor 176A Con4 | Hilfskontakt 1S10 B&J. Hauptschutz 176A Con4 | x | x | | | | | | | | -2Q1 |
| M037 | 4056396 | Terminal 50mm ² GnYe Con4 | Klemme 50mm ² GnYe Con4 | x | x | | | | 1 | 1 | 1 | 1 | -1X0 |
| M038 | 4056395 | Terminal 50mm ² Gy Con4 | Klemme 50mm ² Gy Con4 | x | x | | | | 3 | 3 | 3 | 3 | -1X0 |
| M039 | 4056397 | Terminal 50mm ² Bu Con4 | Klemme 50mm ² Bu Con4 | x | x | | | | | | | 1 | -1X0 |
| M040 | 4056393 | Terminal 35mm ² GnYe Con4 | Klemme 35mm ² GnYe Con4 | x | x | 1 | 1 | 1 | 1 | 1 | 1 | 1 | -1X0 |
| M041 | 4056392 | Terminal 35mm ² Gy Con4 | Klemme 35mm ² Gy Con4 | x | x | 3 | 3 | 3 | 3 | 3 | 3 | 3 | -1X0 |
| M042 | 4056394 | Terminal 35mm ² Bu Con4 | Klemme 35mm ² Bu Con4 | x | x | | | | 1 | 1 | 1 | 1 | -1X0 |
| M043 | 4056411 | Terminal 1 / 4 -times 10 / 2.5mm ² Gy Con4 | Klemme 1 / 4-fach 10 / 2.5mm ² Gy Con4 | x | x | 3 | 3 | 3 | 6 | 6 | | | -2X0 |
| M044 | 4056408 | Terminal triple 10mm ² Gy Con4 | Klemme 3-fach 10mm ² Gy Con4 | x | x | 3 | 3 | 6 | 6 | 6 | 12 | 12 | -2X0 |
| M045 | 4056409 | End cover triple 10mm ² Gy Con4 | Deckel 3-fach 10mm ² Gy Con4 | x | x | 1 | 1 | 1 | 1 | 1 | 1 | 1 | -2X0 |
| M046 | 4056834 | Terminal triple 6mm ² Gy Con4 | Klemme 3-fach 6mm ² Gy Con4 | x | x | | | | | | | 9 | -2X0 |
| M047 | 4056835 | End cover triple 6mm ² Gy Con4 | Deckel 3-fach 6mm ² Gy Con4 | x | x | | | | | | | 1 | -2X0 |
| M048 | 4052115 | Terminal 35mm ² Gy Con4 | Klemme 35mm ² Gy Con4 | x | x | 2 | 2 | 2 | 2 | 2 | 2 | 2 | -1X0 |
| M049 | 4056833 | Terminal 95mm ² GnYe Con4 | Klemme 95mm ² GnYe Con4 | x | x | | | | | | | 2 | -1X0 |
| M050 | 4056989 | Terminal 95mm ² Gy Con4 | Klemme 95mm ² Gy Con4 | x | x | | | | | | | 3 | -1X0 |
| M051 | 4056831 | Terminal 95mm ² Gy 200V incl. 2 Covers Con4 | Klemme 95mm ² Gy 200V inkl. 2 Abdeckhauben Con4 | x | x | | | | | | | 3 | -1X0 |
| M052 | 4056832 | 2 Covers 95mm ² Gy 200V Con4 | 2 Abdeckhauben 95mm ² Gy 200V Con4 | x | x | | | | | | | 3 | -1X0 |
| M053 | 5056830 | Automatic circuit breaker C60N B 63A Con4 | Sicherungsautomat C60N B 63A Convotherm 4 | x | x | | | | | | 12 | 12 | -3F1 -3F2 -3F3 -3F4 |
| M054 | 5052618 | Connection Terminal Con4 | Anschlußklemme Con4 | x | x | | | | | | 6 | 6 | -2Q1 |
| M055 | 2650890 | Supply air box for heat sink 20.10 Electric 3~ 200V Con4 | Zuluftkasten für Kühlkörper 20.10 Elektro 3~ 200V Con4 | x | x | | | | | | 1 | 1 | -2M1 |
| M056 | 4052097 | Terminal 10mm ² GnYe Con4 | Klemme 10mm ² GnYe Con4 | x | x | 1 | 1 | 1 | | | | | -1X0 |
| M057 | 4052098 | End cover 10mm ² GnYe Con4 | Deckel 10mm ² GnYe Con4 | x | x | 1 | 1 | 1 | | | | | -1X0 |
| M058 | 4052122 | Terminal 50mm ² Gy Con4 | Klemme 50mm ² Gy Con4 | x | x | | | | 2 | 2 | | | -1X0 |
| M059 | 4052137 | Terminal 95mm ² Gy Con4 | Klemme 95mm ² Gy Con4 | x | x | | | | | | 2 | 2 | -1X0 |
| M060 | 4056984 | Fusesocket CUBE 60A UL Buss Con4 | Sicherungssockel CUBE 60A UL Con4 | x | x | | | | | | 12 | 12 | -3F1 -3F2 -3F3 -3F4 |
| M061 | 4056983 | Fuse CUBE 50A UL Buss Con4 | Sicherung CUBE 50A UL Con4 | x | x | | | | | | 12 | 12 | -3F1 -3F2 -3F3 -3F4 |
| M062 | 5253790 | Wiring loom Gas valve CE Con4 | Kabelbaum Gasventil CE Con4 | x | x | 1 | 1 | 1 | 1 | 1 | 1 | 1 | -2M2X1 (-2M2X2) |
| Rep | 5064131 | USB-Stick with Softwareupdate Con4 | USB-Stick mit Softwareupdate Con4 | x | x | 1 | 1 | 1 | 1 | 1 | 1 | 1 | |
| Rep | 2156998 | Feed adjusting tool Con4 | Hakenschlüssel Con4 | x | x | 1 | 1 | 1 | 1 | 1 | 1 | 1 | |
| Rep | 7014005 | Graphite paste P3 Con4 | Grafitpaste P3 Con4 | x | x | | | | | | | | |
| Rep | 6065126 | Repairset Bolt Rack front top Ø6x22 Con4 | Reparaturset Bolzen Einhängestell vorn oben Ø6x22 Con4 | x | x | 1 | 1 | 1 | 1 | 1 | 1 | 1 | |
| Rep | 6065122 | Repairset Bolt Suction Panel rear top Ø6x35 Con4 | Reparaturset Bolzen Ansaugblech hinten oben Ø6x35 Con4 | x | x | 1 | 1 | 1 | 1 | 1 | 1 | 1 | |
| Rep | 6065123 | Repairset Bolt Suction Panel front top Ø6x50 Con4 | Reparaturset Bolzen Ansaugblech vorn oben Ø6x50 Con4 | x | x | 1 | 1 | 1 | 1 | 1 | 1 | 1 | |
| Rep | 6063042 | Repairset Bolt Suction Panel rear bottom Ø16x38 P3 Con4 | Reparaturset Bolzen Ansaugblech hinten unten Ø16x38 P3 Con4 | x | x | 1 | 1 | 1 | 1 | 1 | 1 | 1 | |
| Rep | 6063040 | Repairset Bolt Cooking chamber Rack rear bottom Ø6x15 Con4 | Reparaturset Bolzen Garraum Einhängestell hinten unten Ø6x15 Con4 | x | x | 1 | 1 | 1 | 1 | 1 | 1 | 1 | |
| Rep | 6065124 | Repairset Bolt Mounting plate M5x55 Con4 | Reparaturset Bolzen Montageplatte M5x55 Con4 | x | x | 1 | 1 | 1 | 1 | 1 | 1 | 1 | |
| Rep | 6050887 | Repairset Bolt Cooking chamber Ø6x10 P3 Con4 | Reparaturset Bolzen Garraum Ø6x10 P3 Con4 | x | x | 1 | 1 | 1 | 1 | 1 | 1 | 1 | |
| Rep | 8055195 | Repairset Bolt Cooking chamber M4x6 P3 Con4 | Reparaturset Bolzen Garraum M4x6 P3 Con4 | x | x | 1 | 1 | 1 | 1 | 1 | 1 | 1 | |
| Rep | 3465412 | Retrofit kit Boiler Optimization Con4 | Nachrüstset Boiler Optimierung Con4 | x | x | 1 | 1 | 1 | 1 | 1 | 1 | 1 | |
| Rep | 2631078 | Cable anchor Core temperature probe Con4 | Zugsicherung Kerntemperatur Fühler Kabel Con4 | x | x | 1 | 1 | 1 | 1 | 1 | 1 | 1 | |
| Rep | 6066004 | Repair Set Door floor-standing units Con4 | Reparaturset Türe Standgeräte Con4 | x | x | | | | | | 1 | 1 | 1 |
| Rep | 2565051 | Spacer plate for cross gasket door Convotherm 4 | KD Unterlegbleche für Querdichtung Tür Convotherm 4 | x | x | | | | | | 1 | 1 | 1 |
| Rep | 2666364 | Repair set flange inner housing heat exchanger convection Con4 | KD Reparaturflansch Garraum Wärmetauscher Heißluft Con4 | x | x | 1 | 1 | 1 | 1 | 1 | 1 | 1 | |
| S001 | 3464231 | Middle adapter Stacking kit 6.10/10.10 electric Con4 | Mitteladapter Stapelkit 6.10/10.10 Elektro Con4 | x | x | 1 | 1 | 1 | | | | | |
| S001 | 3464232 | Middle adapter Stacking kit 6.20/10.20 electric Con4 | Mitteladapter Stapelkit 6.20/10.20 Elektro Con4 | x | x | 1 | 1 | 1 | | | | | |
| S001 | 3464233 | Middle adapter Stacking kit 6.10/10.10 GAS Con4 | Mitteladapter Stapelkit 6.10/10.10 GAS Con4 | x | x | 1 | 1 | 1 | | | | | |
| S001 | 3464234 | Middle adapter Stacking kit 6.20/10.20 GAS Con4 | Mitteladapter Stapelkit 6.20/10.20 GAS Con4 | x | x | 1 | 1 | 1 | | | | | |
| S001 | 3465636 | Middle adapter Stacking kit 6.10/10.10 electric RH Marine Con4 | Mitteladapter Stapelkit 6.10/10.10 Elektro RA Marine Con4 | x | x | 1 | 1 | 1 | | | | | |
| S001 | 3465637 | Middle adapter Stacking kit 6.20/10.20 electric RH Marine Con4 | Mitteladapter Stapelkit 6.20/10.20 Elektro RA Marine Con4 | x | x | 1 | 1 | 1 | | | | | |
| S002 | 3464236 | mounting bracket for vent pipe Stacking kit 6.10/10.10 electric Con4 | Ablufthalterung Stapelkit 6.10/10.10 Elektro Con4 | x | x | 1 | 1 | 1 | | | | | |
| S002 | 3464237 | mounting bracket for vent pipe Stacking kit 6.20/10.20 electric Con4 | Ablufthalterung Stapelkit 6.20/10.20 | | | | | | | | | | |

| # | ET-Nr. Part No | Description | Beschreibung | Elektro | Gas | 6.10 | 6.20 | 10.10 | 10.20 | 12.20 | 20.10 | 20.20 | BMK / ID |
|------|-------------------|---|---|---------|-----|------|------|-------|-------|-------|-------|-------|----------|
| S002 | 3464238 | mounting bracket for vent pipe Stacking kit 6.10/10.10 Gas Con4 | Ablufthalterung Stapelkit 6.10/10.10 Gas Con4 | x | x | 1 | | 1 | | | | | |
| S002 | 3464239 | mounting bracket for vent pipe Stacking kit 6.20/10.20 Gas Con4 | Ablufthalterung Stapelkit 6.20/10.20 Gas Con4 | x | x | | 1 | | 1 | | | | |
| S003 | 3462219 | Ehumidification box Stacking kit Con4 | Entfeuchtungskasten Stapelkit Con4 | x | x | 1 | 1 | 1 | 1 | | | | |
| S004 | 3462228 | Sleeve Stacking Kit Con4 | Manschette Stapelkit Con4 | x | x | 1 | 1 | 1 | 1 | | | | |
| S005 | 3462229 | Inlet Pipe Stacking Kit Con4 | Ansaugrohr Stapelkit Con4 | x | x | 1 | 1 | 1 | 1 | | | | |
| S006 | 3462995 | Deflection Shield Stacking kit Con4 | Abweisblech Stapelkit Con4 | x | x | 1 | 1 | 1 | 1 | | | | |
| S007 | 3455957 | left cover Stacking kit 6.10/10.10 electric Con4 | Seitliches Abdeckblech Links Stapelkit 6.10/10.10 Elektro Con4 | x | x | 1 | | 1 | | | | | |
| S007 | 3462145 | left cover Stacking kit 6.20/10.20 electric Con4 | Seitliches Abdeckblech Links Stapelkit 6.20/10.20 Elektro Con4 | x | x | | 1 | | 1 | | | | |
| S008 | 3462182 | front cover Stacking kit 6.10/10.10 electric Con4 | Vorderes Abdeckblech Stapelkit 6.10/10.10 Elektro Con4 | x | x | | 1 | | 1 | | | | |
| S008 | 3465623 | front cover Stacking kit 6.10/10.10 Marine RH Con4 | Vorderes Abdeckblech Stapelkit 6.10/10.10 Marine RA Con4 | x | x | 1 | | 1 | | | | | |
| S008 | 3462183 | front cover Stacking kit 6.20/10.20 electric Con4 | Vorderes Abdeckblech Stapelkit 6.20/10.20 Elektro Con4 | x | x | | 1 | | 1 | | | | |
| S008 | 3465628 | front cover Stacking kit 6.20/10.20 Marine RH Con4 | Vorderes Abdeckblech Stapelkit 6.20/10.20 Marine RA Con4 | x | x | | 1 | | 1 | | | | |
| S009 | 3455958 | right cover Stacking kit 6.10/10.10 electric Con4 | Seitliches Abdeckblech Rechts Stapelkit 6.10/10.10 Elektro Con4 | x | x | 1 | | 1 | | | | | |
| S009 | 3462147 | right cover Stacking kit 6.20/10.20 electric Con4 | Seitliches Abdeckblech Rechts Stapelkit 6.20/10.20 Elektro Con4 | x | x | | 1 | | 1 | | | | |
| S010 | 3462461 | back cover Stacking kit 6.10/10.10 electric Con4 | Hinteres Abdeckblech Stapelkit 6.10/10.10 Elektro Con4 | x | x | 1 | | 1 | | | | | |
| S010 | 3462186 | back cover Stacking kit 6.10/10.10 Gas Con4 | Hinteres Abdeckblech Stapelkit 6.10/10.10 Gas Con4 | x | x | 1 | | 1 | | | | | |
| S010 | 3462466 | back cover Stacking kit 6.20/10.20 electric Con4 | Hinteres Abdeckblech Stapelkit 6.20/10.20 Elektro Con4 | x | x | | 1 | | 1 | | | | |
| S010 | 3462187 | back cover Stacking kit 6.20/10.20 Gas Con4 | Hinteres Abdeckblech Stapelkit 6.20/10.20 Gas Con4 | x | x | | 1 | | 1 | | | | |
| S011 | 8064151 | Screw Stet Stacking kit Con4 | Schraubenset Stapelkit Con4 | x | x | 1 | 1 | 1 | 1 | | | | |
| S012 | 3464191 | Support frame Stacking kit 6.10/10.10 300mm Con4 | Unterbau Stapelkit 6.10/10.10 300mm Convotherm4 | x | x | 1 | | 1 | | | | | |
| S012 | 3464193 | Support frame Stacking kit 6.10/10.10 150mm Con4 | Unterbau Stapelkit 6.10/10.10 150mm Convotherm4 | x | x | 1 | | 1 | | | | | |
| S012 | 3464195 | Support frame Stacking kit 6.10/10.10 150mm MarineCon4 | Unterbau Stapelkit 6.10/10.10 150mm MarineConvotherm4 | x | x | 1 | | 1 | | | | | |
| S012 | 3464197 | Support frame Stacking kit 6.10/10.10 100mm with roller Con4 | Unterbau Stapelkit 6.10/10.10 100mm mit Walzen Con4 | x | x | 1 | | 1 | | | | | |
| S012 | 3463049 | Support frame Stacking kit 6.10/10.10 150mm with roller Con4 | Unterbau Stapelkit 6.10/10.10 150mm mit Walzen Con4 | x | x | 1 | | 1 | | | | | |
| S012 | 3465455 | Support frame Stacking kit 6.10/10.10 210mm Marine Con4 | Unterbau Stapelkit 6.10/10.10 210mm Marine Con4 | x | x | 1 | | 1 | | | | | |
| S012 | 3464192 | Support frame Stacking kit 6.20/10.20 300mm Con4 | Unterbau Stapelkit 6.20/10.20 300mm Convotherm4 | x | x | | 1 | | 1 | | | | |
| S012 | 3464194 | Support frame Stacking kit 6.20/10.20 150mm Con4 | Unterbau Stapelkit 6.20/10.20 150mm Convotherm4 | x | x | | 1 | | 1 | | | | |
| S012 | 3464196 | Support frame Stacking kit 6.20/10.20 150mm Marine Con4 | Unterbau Stapelkit 6.20/10.20 150mm Marine Convotherm4 | x | x | | 1 | | 1 | | | | |
| S012 | 3464198 | Support frame Stacking kit 6.20/10.20 100mm with roller Con4 | Unterbau Stapelkit 6.20/10.20 100mm mit Walzen Convotherm4 | x | x | | 1 | | 1 | | | | |
| S012 | 3465279 | Support frame Stacking kit 6.20/10.20 150mm with roller Con4 | Unterbau Stapelkit 6.20/10.20 150mm mit Walzen Convotherm4 | x | x | | 1 | | 1 | | | | |
| S012 | 3465456 | Support frame Stacking kit 6.20/10.20 210mm with roller Con4 | Unterbau Stapelkit 6.20/10.20 210mm mit Walzen Convotherm4 | x | x | | 1 | | 1 | | | | |
| S012 | 3465714 | Support frame Stacking kit 6.10 350mm with roller Con4 | Unterbau Stapelkit 6.10 350mm mit Walzen Convotherm4 | x | x | | | | | | | | |
| S013 | 3455953 | Extension tube vent 6.10/10.10 electric Con4 | Verlängerung Abluftkamin 6.10/10.10 Elektro Con4 | x | x | 1 | 2 | 1 | 2 | | | | |
| S014 | 3462238 | Retrofit set Stacking kit 6.10 / 10.10 Con4 | Nachrüstset Stapelkit 6.10 / 10.10 Con4 | x | x | 1 | | 1 | | | | | |
| S014 | 3462239 | Retrofit set Stacking kit 6.20 / 10.20 Con4 | Nachrüstset Stapelkit 6.20 / 10.20 Con4 | x | x | | 1 | | 1 | | | | |
| S015 | 3464158 | Roller front Stacking kit cpl 100mm Con4 | Walzen vorne Stapelkit Unterbau kpl 100mm Con4 | x | x | 2 | | 2 | | | | | |
| S015 | 3465702 | Roller front Stacking kit cpl 150mm Con4 | Walzen vorne Stapelkit Unterbau kpl 150mm Con4 | x | x | 1 | 1 | 1 | 1 | | | | |
| S015 | 3462452 | Retrofitting Stacking kit 100 to 150mm Roller Con4 | Umrüstset Stapelkit 100 auf 150mm Walzen kpl Con4 | x | x | 1 | 1 | 1 | 1 | | | | |
| S016 | 3464159 | Roller back Stacking kit cpl 100mm Con4 | Walzen hinten Stapelkit Unterbau kpl 100mm Con4 | x | x | 2 | | 2 | | | | | |
| S016 | 3465703 | Roller back Stacking kit cpl 150mm Con4 | Walzen hinten Stapelkit Unterbau kpl 150mm Con4 | x | x | 1 | 1 | 1 | 1 | | | | |
| S017 | 3455859 | Wallmounting Stacking kit Con4 | Wandbefestigung Stapelkit Con4 | x | x | 1 | 1 | 1 | 1 | | | | |
| S018 | 3464156 | magnetic snap Stacking kit electric Con4 | Magnetischen Snap Stapelkit Abdeckblechdeckung vorne Elektro Con4 | x | x | 1 | 1 | 1 | 1 | | | | |
| S019 | 3462299 | Accessory kit Stacking kit cleaning Con4 | Beistellteile Stapelkit Reinigung Con4 | x | x | 1 | 1 | 1 | 1 | | | | |
| S020 | 3462177 | Heat protection plate Stacking kit gas Con4 | Wärmeschutzblech Stapelkit Gas Con4 | x | x | 1 | 1 | 1 | 1 | | | | |
| S021 | 3462191 | Exhaust gas canal cover back Stacking kit Con4 | Abgaskanal Abdeckung hinten Stapelkit Gas Con4 | x | x | 1 | 1 | 1 | 1 | | | | |
| S022 | 3462192 | Exhaust gas canal cover front Stacking kit Con4 | Abgaskanal Abdeckung vorn Stapelkit Gas Con4 | x | x | 1 | 1 | 1 | 1 | | | | |
| S023 | 3462162 | Extension for chimney Stacking kit 6.10 / 10.10 Con4 | Verlängerung Kamin Stapelkit 6.10 / 10.10 Con4 | x | x | 1 | | 1 | | | | | |
| S023 | 3462172 | Extension for chimney Stacking kit 6.20 Con4 | Verlängerung Kamin Stapelkit 6.20 Con4 | x | x | | 1 | | | | | | |
| S023 | 3462165 | Extension for chimney Stacking kit 10.20 Con4 | Verlängerung Kamin Stapelkit 10.20 Con4 | x | x | | | 1 | | | | | |
| S024 | 3462129 | Exhaust air box below Stacking kit gas Con4 | Abgaskaminkasten unten Stapelkit Gas Con4 | x | x | 1 | 1 | 1 | 1 | | | | |
| S025 | 3462175 | Insulation Exhaust air box below Stacking kit gas Con4 | Isolierung Abgaskaminkasten unten Stapelkit Gas Con4 | x | x | 1 | 1 | 1 | 1 | | | | |
| S026 | 3462176 | Insulation Exhaust air box above Stacking kit gas Con4 | Isolierung Abgaskaminkasten oben Stapelkit Gas Con4 | x | x | 1 | 1 | 1 | 1 | | | | |
| S027 | 3462130 | Exhaust air box above Stacking kit gas Con4 | Abgaskaminkasten oben Stapelkit Gas Con4 | x | x | 1 | 1 | 1 | 1 | | | | |
| S028 | 3455982 | Installation kit for height compensation Stacking kit electric Con4 | Montagekit zum Höhenausgleich Stapelkit Unterbau Elektro Con4 | x | x | 1 | | 1 | | | | | |
| S029 | 3464144 | gasket exhaust air box Ø65-i50x30 electric (blue) Con4 | Dichtung Abluftkasten Ø65-i50x30 Elektro (blau) Con4 | x | x | 1 | 2 | 1 | 2 | | | | |
| S030 | 5253608 | Wiring Loom Stacking kit 6.10/10.10 electric electric Con4 | Kabelbaum Stapelkit 6.10/10.10 Elektro Elektro Con4 | x | x | 1 | | 1 | | | | | |
| S030 | 5253609 | Wiring Loom Stacking kit 6.20/10.20 electric electric Con4 | Kabelbaum Stapelkit 6.20/10.20 Elektro Elektro Con4 | x | x | | 1 | | 1 | | | | |
| S030 | 5253558 | Wiring Loom Stacking kit 6.10/10.10 GAS electric Con4 | Kabelbaum Stapelkit 6.10/10.10 GAS Elektro Con4 | x | x | 1 | | 1 | | | | | |
| S030 | 5253559 | Wiring Loom Stacking kit 6.20/10.20 GAS electric Con4 | Kabelbaum Stapelkit 6.20/10.20 GAS Elektro Con4 | x | x | | 1 | | 1 | | | | |
| S031 | 3465715 | Drawer for Support frame Stacking kit 6.10 350mm Con4 | Schublade für Unterbau Stapelkit 6.10 350mm Con4 | x | x | 1 | | | | | | | |
| S032 | 6065717 | Roller for Support frame Stacking kit 6.10 350mm Con4 | Bockrolle für Unterbau Stapelkit 6.10 350mm Con4 | x | x | 4 | | | | | | | |
| S033 | 7031358 | water connection hose 1300mm | Wasseranschlussschlauch 1300mm | x | x | 2 | | | | | | | |
| S033 | | | | | | | | | | | | | |
| S034 | 3431365 | Water Piping Set for Support frame Stacking kit 6.10 350mm Con4 | Wasseranschlussset für Unterbau Stapelkit 6.10 350mm Con4 | x | x | 1 | | | | | | | |
| S035 | | | | | | | | | | | | | |
| S034 | 7031359 | water connection hose 1450mm | Wasseranschlussschlauch 1450mm | x | x | 2 | | | | | | | |
| S035 | 7031360 | water connection hose 500mm | Wasseranschlussschlauch 500mm | x | x | 3 | | | | | | | |
| S036 | 3431357 | Stop Bolt Drawer Support frame Stacking kit 6.10 350mm Con4 | Stoppbolzen für Schublade Unterbau Stapelkit 6.10 350mm Con4 | x | x | 2 | | | | | | | |
| S037 | 3431361 | Splash guard disk for cleaning canister | Spritzschutz Scheibe für Reingegerkanister | x | x | 2 | | | | | | | |
| Vent | 3464120 | Top Filter ConvoVent 4 6.10/10.10 | Dampfabscheider ConvoVent 4 6.10/10.10 | x | x | 1 | | 1 | | | | | |
| Vent | 3464121 | Top Filter ConvoVent 4 6.20/10.20 | Dampfabscheider ConvoVent 4 6.20/10.20 | x | x | | 1 | | 1 | | | | |
| Vent | 3464122 | Top Filter ConvoVent 4 20.10 | Dampfabscheider ConvoVent 4 20.10 | x | x | | | | | 1 | | | |
| Vent | 3464123 | Top Filter ConvoVent 4 12.20/20.20 | Dampfabscheider ConvoVent 4 12.20/20.20 | x | x | | | | | 1 | 1 | | |
| Vent | 3464110 | ConvoVent 4+ Fine particle filter x.10 | ConvoVent 4+ Feinpartikelfilter x.10 | x | x | 1 | | 1 | | | 1 | | |
| Vent | 3464111 | ConvoVent 4+ Fine particle filter x.20 | ConvoVent 4+ Feinpartikelfilter x.20 | x | x | 1 | | 1 | 1 | | 1 | | |
| Vent | 3464116 | ConvoVent 4/4+ Front Filter for 6.10/10.10 | ConvoVent 4/4+ Tropfenabscheider für 6.10/10.10 | x | x | 2 | | 2 | | | | | |
| Vent | 3464117 | ConvoVent 4/4+ Front Filter for 6.20/10.20 | ConvoVent 4/4+ Tropfenabscheider für 6.20/10.20 | x | x | | 2 | | 2 | | | | |
| Vent | 3464118 | ConvoVent 4/4+ Front Filter for x20.10 | ConvoVent 4/4+ Tropfenabscheider für 20.10 | x | x | | | | | | | | |
| Vent | 3464119 | ConvoVent 4/4+ Front Filter for 12.20/20.20 | ConvoVent 4/4+ Tropfenabscheider für 12.20/20.20 | x | x | | | | | 2 | | 2 | |
| Vent | 3464112 | ConvoVent 4/4+ Baffle filter for 6.10/10.10 | ConvoVent 4/4+ Flammenschutzfilter für 6.10/10.10 | x | x | 3 | | 3 | | | | | |
| Vent | 3464113 | ConvoVent 4/4+ Baffle Filter for 6.20/10.20 | ConvoVent 4/4+ Flammenschutzfilter für 6.20/10.20 | x | x | | 3 | | 3 | | | | |
| Vent | 3464114 | ConvoVent 4/4+ Baffle filter for 20.10 | ConvoVent 4/4+ Flammenschutzfilter für 20.10 | x | x | | | | | | 3 | | |
| Vent | 3464115 | ConvoVent 4/4+ Baffle Filter for 12.20/20.20 | ConvoVent 4/4+ Flammenschutzfilter für 12.20/20.20 | x | x | | | | | | 3 | | 3 |
| Vent | 3464140 | Inlet Pipe Stacking kit/CV 12.20 Con4 | Ansaugrohr Stapelkit/CV 12.20 Con4 | x | x | | | | | 1 | | | |
| Vent | 3464037 | ConvoVent 4/4+ Mounting bracket 6.10/10.10 | ConvoVent 4/4+ Befestigungswinkel 6.10/10.10 | x | x | 1 | | 1 | | | | | |
| Vent | 3464125 | ConvoVent 4/4+ Mounting bracket 6.20/10.20 | ConvoVent 4/4+ Befestigungswinkel 6.20/10.20 | x | x | | 1 | | 1 | | | | |
| Vent | 3464126 | ConvoVent 4/4+ Mounting bracket 20.10 | ConvoVent 4/4+ Befestigungswinkel 20.10 | x | x | | | | | | 1 | | |
| Vent | 3464127 | ConvoVent 4/4+ Mounting bracket 12.20/20.20 | ConvoVent 4/4+ Befestigungswinkel 12.20/20.20 | x | x | | | | | 1 | | 1 | |
| Vent | 3464145 | ConvoVent 4/4+ Tube Angle Stackingkitt | ConvoVent 4/4+ Rohrwinkel Stapelkitt | x | x | 1 | 2 | 1 | 2 | | | | |
| Vent | 3457239 | ConvoVent 4/4+ Power cord 3,6m with cable gland | ConvoVent 4/4+ Netzanschlusskabel 3,6m mit Kabeldurchf. | x | x | 1 | 1 | 1 | 1 | 1 | 1 | 1 | |
| Vent | 5257238 | ConvoVent 4/4+ Control cable 4,0m with connector X38 | ConvoVent 4/4+ Steuerkabel 4,0m mit Stecker X38 | x | x | 1 | 1 | 1 | 1 | 1 | 1 | 1 | |
| Vent | 2657240 | ConvoVent 4/4+ Adhesive base with cable ties | ConvoVent 4/4+ Klebesockel mit Kabelbinder | x | x | 1 | 1 | 1 | 1 | 1 | 1 | 1 | |
| Vent | 5064147 | Radialventilator D3G146-HQ13-62 ConvoVent 4/4+ | Radialventilator D3G146-HQ13-62 ConvoVent 4/4+ | x | x | 1 | 1 | 1 | 1 | 1 | 1 | 1 | -IM1 |
| Vent | 5064148 | Halogentransformer 12V ConvoVent 4/4+ | Halogentransformator 12V ConvoVent 4/4+ | x | x | 1 | 1 | 1 | 1 | 1 | 1 | 1 | -IT1 |
| Vent | 5064146 | Control Board ConvoVent 4/4+ | Steuerplatine ConvoVent 4/4+ | x | x | 1 | 1 | 1 | 1 | 1 | 1 | 1 | -SH1 |

| # | ET-Nr. Part No | Description | Beschreibung | Elektro | Gas | 6.10 | 6.20 | 10.10 | 10.20 | 12.20 | 20.10 | 20.20 | BMK / ID |
|------|-------------------|--|--|---------|-----|------|------|-------|-------|-------|-------|-------|-----------------|
| Vent | 3464144 | gasket exhaust air box Ø65-i50x30 electric (blue) Con4 | Dichtung Abluftkasten Ø65-i50x30 Elektro (blau) Con4 | x | | 1 | 1 | 1 | 1 | 1 | 1 | 1 | |
| Vent | 3464138 | Inlet Pipe Stacking kit/CV 10.10/10.20/10.20/20.20 electric Con4 | Ansaugrohr Stapelkit/CV 10.10/10.20/10.20/20.20 Elektro Con4 | x | x | | | 1 | 1 | | 1 | 1 | |
| Vent | 3464139 | Inlet Pipe Stacking kit/CV 6.10/6.20 electric Con4 | Ansaugrohr Stapelkit/CV 6.10/6.20 Elektro Con4 | x | x | 1 | 1 | | | | | | |
| Vent | 5064709 | Smoothing coil 1AC 2.5A 7.5mH Convovent Con4 | Netzdrössel 1AC 2.5A 7.5mH Convovent Con4 | x | | | | | | | | | |
| X000 | 5265329 | Wiring Loom X22 X23 X26 X40 Electro Boiler 6.10 Con4 | Kabelbaum X22 X23 X26 X40 Elektro Boiler 6.10 Con4 | x | | 1 | | | | | | | X22 X23 X26 X40 |
| X000 | 5265330 | Wiring Loom X22 X23 X26 X40 Electro Boiler 6.20 Con4 | Kabelbaum X22 X23 X26 X40 Elektro Boiler 6.20 Con4 | x | | | 1 | | | | | | X22 X23 X26 X40 |
| X000 | 5265331 | Wiring Loom X22 X23 X26 X40 Electro Boiler 10.10 Con4 | Kabelbaum X22 X23 X26 X40 Elektro Boiler 10.10 Con4 | x | | | | 1 | | | | | X22 X23 X26 X40 |
| X000 | 5265332 | Wiring Loom X22 X23 X26 X40 Electro Boiler 10.20 Con4 | Kabelbaum X22 X23 X26 X40 Elektro Boiler 10.20 Con4 | x | | | | | 1 | | | | X22 X23 X26 X40 |
| X000 | 5265333 | Wiring Loom X22 X23 X26 X40 Electro Boiler 12.20 Con4 | Kabelbaum X22 X23 X26 X40 Elektro Boiler 12.20 Con4 | x | | | | | | 1 | | | X22 X23 X26 X40 |
| X000 | 5265334 | Wiring Loom X22 X23 X26 X40 Electro Boiler 20.10 Con4 | Kabelbaum X22 X23 X26 X40 Elektro Boiler 20.10 Con4 | x | | | | | | | 1 | | X22 X23 X26 X40 |
| X000 | 5265335 | Wiring Loom X22 X23 X26 X40 Electro Boiler 20.20 Con4 | Kabelbaum X22 X23 X26 X40 Elektro Boiler 20.20 Con4 | x | | | | | | | | 1 | X22 X23 X26 X40 |
| X000 | 5265336 | Wiring Loom X22 X23 X26 X40 Electro Sprayer 6.10 Con4 | Kabelbaum X22 X23 X26 X40 Elektro Spritzer 6.10 Con4 | x | | 1 | | | | | | | X22 X23 X26 X40 |
| X000 | 5265337 | Wiring Loom X22 X23 X26 X40 Electro Sprayer 6.20 Con4 | Kabelbaum X22 X23 X26 X40 Elektro Spritzer 6.20 Con4 | x | | | 1 | | | | | | X22 X23 X26 X40 |
| X000 | 5265338 | Wiring Loom X22 X23 X26 X40 Electro Sprayer 10.10 Con4 | Kabelbaum X22 X23 X26 X40 Elektro Spritzer 10.10 Con4 | x | | | | 1 | | | | | X22 X23 X26 X40 |
| X000 | 5265339 | Wiring Loom X22 X23 X26 X40 Electro Sprayer 10.20 Con4 | Kabelbaum X22 X23 X26 X40 Elektro Spritzer 10.20 Con4 | x | | | | | 1 | | | | X22 X23 X26 X40 |
| X000 | 5265340 | Wiring Loom X22 X23 X26 X40 Electro Sprayer 12.20 Con4 | Kabelbaum X22 X23 X26 X40 Elektro Spritzer 12.20 Con4 | x | | | | | | 1 | | | X22 X23 X26 X40 |
| X000 | 5265341 | Wiring Loom X22 X23 X26 X40 Electro Sprayer 20.10 Con4 | Kabelbaum X22 X23 X26 X40 Elektro Spritzer 20.10 Con4 | x | | | | | | | 1 | | X22 X23 X26 X40 |
| X000 | 5265342 | Wiring Loom X22 X23 X26 X40 Electro Sprayer 20.20 Con4 | Kabelbaum X22 X23 X26 X40 Elektro Spritzer 20.20 Con4 | x | | | | | | | | 1 | X22 X23 X26 X40 |
| X000 | 5265358 | Wiring Loom X22 X23 X26 X40 Gas Boiler 6.10 CE Con4 | Kabelbaum X22 X23 X26 X40 Gas Boiler 6.10 CE Con4 | x | 1 | | | | | | | | X22 X23 X26 X40 |
| X000 | 5265359 | Wiring Loom X22 X23 X26 X40 Gas Boiler 6.20 CE Con4 | Kabelbaum X22 X23 X26 X40 Gas Boiler 6.20 CE Con4 | x | | 1 | | | | | | | X22 X23 X26 X40 |
| X000 | 5265360 | Wiring Loom X22 X23 X26 X40 Gas Boiler 10.10 CE Con4 | Kabelbaum X22 X23 X26 X40 Gas Boiler 10.10 CE Con4 | x | | | 1 | | | | | | X22 X23 X26 X40 |
| X000 | 5265361 | Wiring Loom X22 X23 X26 X40 Gas Boiler 10.20 CE Con4 | Kabelbaum X22 X23 X26 X40 Gas Boiler 10.20 CE Con4 | x | | | | 1 | | | | | X22 X23 X26 X40 |
| X000 | 5265362 | Wiring Loom X22 X23 X26 X40 Gas Boiler 12.20 CE Con4 | Kabelbaum X22 X23 X26 X40 Gas Boiler 12.20 CE Con4 | x | | | | | 1 | | | | X22 X23 X26 X40 |
| X000 | 5265363 | Wiring Loom X22 X23 X26 X40 Gas Boiler 20.10 CE Con4 | Kabelbaum X22 X23 X26 X40 Gas Boiler 20.10 CE Con4 | x | | | | | | | 1 | | X22 X23 X26 X40 |
| X000 | 5265364 | Wiring Loom X22 X23 X26 X40 Gas Boiler 20.20 CE Con4 | Kabelbaum X22 X23 X26 X40 Gas Boiler 20.20 CE Con4 | x | | | | | | | | 1 | X22 X23 X26 X40 |
| X000 | 5265365 | Wiring Loom X22 X23 X26 X40 Gas Sprayer 6.10 CE Con4 | Kabelbaum X22 X23 X26 X40 Gas Spritzer 6.10 CE Con4 | x | 1 | | | | | | | | X22 X23 X26 X40 |
| X000 | 5265366 | Wiring Loom X22 X23 X26 X40 Gas Sprayer 6.20 CE Con4 | Kabelbaum X22 X23 X26 X40 Gas Spritzer 6.20 CE Con4 | x | | 1 | | | | | | | X22 X23 X26 X40 |
| X000 | 5265367 | Wiring Loom X22 X23 X26 X40 Gas Sprayer 10.10 CE Con4 | Kabelbaum X22 X23 X26 X40 Gas Spritzer 10.10 CE Con4 | x | | | 1 | | | | | | X22 X23 X26 X40 |
| X000 | 5265368 | Wiring Loom X22 X23 X26 X40 Gas Sprayer 10.20 CE Con4 | Kabelbaum X22 X23 X26 X40 Gas Spritzer 10.20 CE Con4 | x | | | | 1 | | | | | X22 X23 X26 X40 |
| X000 | 5265369 | Wiring Loom X22 X23 X26 X40 Gas Sprayer 12.20 CE Con4 | Kabelbaum X22 X23 X26 X40 Gas Spritzer 12.20 CE Con4 | x | | | | | 1 | | | | X22 X23 X26 X40 |
| X000 | 5265370 | Wiring Loom X22 X23 X26 X40 Gas Sprayer 20.10 CE Con4 | Kabelbaum X22 X23 X26 X40 Gas Spritzer 20.10 CE Con4 | x | | | | | | | 1 | | X22 X23 X26 X40 |
| X000 | 5265371 | Wiring Loom X22 X23 X26 X40 Gas Sprayer 20.20 CE Con4 | Kabelbaum X22 X23 X26 X40 Gas Spritzer 20.20 CE Con4 | x | | | | | | | | 1 | X22 X23 X26 X40 |
| X000 | 5265386 | Wiring Loom X22 X23 X26 X40 Gas Boiler 6.10 UL Con4 | Kabelbaum X22 X23 X26 X40 Gas Boiler 6.10 UL Con4 | x | 1 | | | | | | | | X22 X23 X26 X40 |
| X000 | 5265387 | Wiring Loom X22 X23 X26 X40 Gas Boiler 6.20 UL Con4 | Kabelbaum X22 X23 X26 X40 Gas Boiler 6.20 UL Con4 | x | | 1 | | | | | | | X22 X23 X26 X40 |
| X000 | 5265388 | Wiring Loom X22 X23 X26 X40 Gas Boiler 10.10 UL Con4 | Kabelbaum X22 X23 X26 X40 Gas Boiler 10.10 UL Con4 | x | | | 1 | | | | | | X22 X23 X26 X40 |
| X000 | 5265389 | Wiring Loom X22 X23 X26 X40 Gas Boiler 10.20 UL Con4 | Kabelbaum X22 X23 X26 X40 Gas Boiler 10.20 UL Con4 | x | | | | 1 | | | | | X22 X23 X26 X40 |
| X000 | 5265390 | Wiring Loom X22 X23 X26 X40 Gas Boiler 12.20 UL Con4 | Kabelbaum X22 X23 X26 X40 Gas Boiler 12.20 UL Con4 | x | | | | | 1 | | | | X22 X23 X26 X40 |
| X000 | 5265391 | Wiring Loom X22 X23 X26 X40 Gas Boiler 20.10 UL Con4 | Kabelbaum X22 X23 X26 X40 Gas Boiler 20.10 UL Con4 | x | | | | | | | 1 | | X22 X23 X26 X40 |
| X000 | 5265392 | Wiring Loom X22 X23 X26 X40 Gas Boiler 20.20 UL Con4 | Kabelbaum X22 X23 X26 X40 Gas Boiler 20.20 UL Con4 | x | | | | | | | | 1 | X22 X23 X26 X40 |
| X000 | 5265393 | Wiring Loom X22 X23 X26 X40 Gas Sprayer 6.10 UL Con4 | Kabelbaum X22 X23 X26 X40 Gas Spritzer 6.10 UL Con4 | x | 1 | | | | | | | | X22 X23 X26 X40 |
| X000 | 5265394 | Wiring Loom X22 X23 X26 X40 Gas Sprayer 6.20 UL Con4 | Kabelbaum X22 X23 X26 X40 Gas Spritzer 6.20 UL Con4 | x | | 1 | | | | | | | X22 X23 X26 X40 |
| X000 | 5265395 | Wiring Loom X22 X23 X26 X40 Gas Sprayer 10.10 UL Con4 | Kabelbaum X22 X23 X26 X40 Gas Spritzer 10.10 UL Con4 | x | | | 1 | | | | | | X22 X23 X26 X40 |
| X000 | 5265396 | Wiring Loom X22 X23 X26 X40 Gas Sprayer 10.20 UL Con4 | Kabelbaum X22 X23 X26 X40 Gas Spritzer 10.20 UL Con4 | x | | | | 1 | | | | | X22 X23 X26 X40 |
| X000 | 5265397 | Wiring Loom X22 X23 X26 X40 Gas Sprayer 12.20 UL Con4 | Kabelbaum X22 X23 X26 X40 Gas Spritzer 12.20 UL Con4 | x | | | | | 1 | | | | X22 X23 X26 X40 |
| X000 | 5265398 | Wiring Loom X22 X23 X26 X40 Gas Sprayer 20.10 UL Con4 | Kabelbaum X22 X23 X26 X40 Gas Spritzer 20.10 UL Con4 | x | | | | | | | 1 | | X22 X23 X26 X40 |
| X000 | 5265399 | Wiring Loom X22 X23 X26 X40 Gas Sprayer 20.20 UL Con4 | Kabelbaum X22 X23 X26 X40 Gas Spritzer 20.20 UL Con4 | x | | | | | | | | 1 | X22 X23 X26 X40 |
| X001 | 5265707 | Wiring Loom X1 Gas Firing device repara set Con4 | Kabelbaum X1 Gas Feuerungsautomat Reparaturset Con4 | x | 1 | 1 | 1 | 1 | 2 | 2 | 2 | 2 | X1 |
| X001 | 4064013 | Fuseholder fuse T1A burner fan UL Con4 | Sicherungshalter Sicherung T1A Brennergebläse UL Con4 | x | 2 | 2 | 2 | 2 | 2 | 3 | 3 | 3 | -3F1 -3F2 -4F1 |
| X002 | 4064014 | Fuse T1A 10 pc. burner fan UL Con4 | G-Sicherung T1A 10 Stück Brennergebläse UL Con4 | x | 1 | 1 | 1 | 1 | 1 | 1 | 1 | 1 | -3F1 -3F2 -4F1 |
| X003 | 5256415 | Wiring Loom X3 Gas (includes 5253704) Con4 | Kabelbaum X3 Gas (beinhaltet 5253704) Con4 | x | 2 | 2 | 2 | 2 | 2 | 3 | 3 | 3 | X3 |
| X015 | 5256467 | Wiring Loom X15 (includes 5253500) Con4 | Kabelbaum X15 (beinhaltet 5253500) Con4 | x | x | 1 | 1 | 1 | 1 | 1 | 1 | 1 | X15 |
| X018 | 5256846 | Wiring Loom X18 Gas Boiler 6.10 (incl. 5253580) Con4 | Kabelbaum X18 Gas Boiler 6.10 (beinh. 5253580) Con4 | x | 1 | | | | | | | | X18 |
| X018 | 5256847 | Wiring Loom X18 Gas Boiler 6.20 (incl. 5253581) Con4 | Kabelbaum X18 Gas Boiler 6.20 (beinh. 5253581) Con4 | x | | 1 | | | | | | | X18 |
| X018 | 5256848 | Wiring Loom X18 Gas Boiler 10.10 (incl. 5253582) Con4 | Kabelbaum X18 Gas Boiler 10.10 (beinh. 5253582) Con4 | x | | | 1 | | | | | | X18 |

| # | ET-Nr. Part No | Description | Beschreibung | Elektro | Gas | 6.10 | 6.20 | 10.10 | 10.20 | 12.20 | 20.10 | 20.20 | BMK / ID |
|------|-------------------|--|---|---------|-----|------|------|-------|-------|-------|-------|-------|----------|
| X018 | 5256849 | Wiring Loom X18 Gas Boiler 10.20 (incl. 5253583) Con4 | Kabelbaum X18 Gas Boiler 10.20 (beinh. 5253583) Con4 | | x | | | | 1 | | | | X18 |
| X018 | 5256850 | Wiring Loom X18 Gas Boiler 12.20 (incl. 5253584) Con4 | Kabelbaum X18 Gas Boiler 12.20 (beinh. 5253584) Con4 | | x | | | | | 1 | | | X18 |
| X018 | 5256851 | Wiring Loom X18 Gas Boiler 20.10 (incl. 5253585) Con4 | Kabelbaum X18 Gas Boiler 20.10 (beinh. 5253585) Con4 | | x | | | | | | 1 | | X18 |
| X018 | 5256852 | Wiring Loom X18 Gas Boiler 20.20 (incl. 5253586) Con4 | Kabelbaum X18 Gas Boiler 20.20 (beinh. 5253586) Con4 | | x | | | | | | | 1 | X18 |
| X018 | 5256853 | Wiring Loom X18 Gas Sprayer 6.10 (incl. 5253587) Con4 | Kabelbaum X18 Gas Spritzer 6.10 (beinh. 5253587) Con4 | | x | 1 | | | | | | | X18 |
| X018 | 5256854 | Wiring Loom X18 Gas Sprayer 6.20 (incl. 5253588) Con4 | Kabelbaum X18 Gas Spritzer 6.20 (beinh. 5253588) Con4 | | x | | 1 | | | | | | X18 |
| X018 | 5256855 | Wiring Loom X18 Gas Sprayer 10.10 (incl. 5253589) Con4 | Kabelbaum X18 Gas Spritzer 10.10 (beinh. 5253589) Con4 | | x | | | 1 | | | | | X18 |
| X018 | 5256856 | Wiring Loom X18 Gas Sprayer 10.20 (incl. 5253590) Con4 | Kabelbaum X18 Gas Spritzer 10.20 (beinh. 5253590) Con4 | | x | | | | 1 | | | | X18 |
| X018 | 5256857 | Wiring Loom X18 Gas Sprayer 12.20 (incl. 5253591) Con4 | Kabelbaum X18 Gas Spritzer 12.20 (beinh. 5253591) Con4 | | x | | | | | 1 | | | X18 |
| X018 | 5256858 | Wiring Loom X18 Gas Sprayer 20.10 (incl. 5253592) Con4 | Kabelbaum X18 Gas Spritzer 20.10 (beinh. 5253592) Con4 | | x | | | | | | 1 | | X18 |
| X018 | 5256859 | Wiring Loom X18 Gas Sprayer 20.20 (incl. 5253593) Con4 | Kabelbaum X18 Gas Spritzer 20.20 (beinh. 5253593) Con4 | | x | | | | | | | 1 | X18 |
| X021 | 5253501 | Wiring Loom X21 Boiler 6.10, 10.10 Electric Con4 | Kabelbaum X21 Boiler 6.10, 10.10 Elektro Con4 | | x | x | 1 | 1E | | | | | X21 |
| X021 | 5253526 | Wiring Loom X21 Boiler 6.20 Con4 | Kabelbaum X21 Boiler 6.20 Con4 | | x | x | | 1 | | | | | X21 |
| X021 | 5253534 | Wiring Loom X21 Boiler 10.10 Gas Con4 | Kabelbaum X21 Boiler 10.10 Gas Con4 | | x | | | 1 | | | | | X21 |
| X021 | 5253509 | Wiring Loom X21 Boiler 10.20 Con4 | Kabelbaum X21 Boiler 10.20 Con4 | | x | x | | | 1 | | | | X21 |
| X021 | 5253542 | Wiring Loom X21 Boiler 12.20 Con4 | Kabelbaum X21 Boiler 12.20 Con4 | | x | x | | | | 1 | | | X21 |
| X021 | 5253550 | Wiring Loom X21 Boiler 20.10 Con4 | Kabelbaum X21 Boiler 20.10 Con4 | | x | x | | | | | 1 | | X21 |
| X021 | 5253517 | Wiring Loom X21 Boiler 20.20 Con4 | Kabelbaum X21 Boiler 20.20 Con4 | | x | x | | | | | | 1 | X21 |
| X022 | 5253502 | Wiring Loom X22 Electric Boiler 6.10 Con4 | Kabelbaum X22 Elektro Boiler 6.10 Con4 | | x | | 1 | | | | | | X22 |
| X022 | 5253527 | Wiring Loom X22 Electric Boiler 6.20 Con4 | Kabelbaum X22 Elektro Boiler 6.20 Con4 | | x | | | 1 | | | | | X22 |
| X022 | 5253535 | Wiring Loom X22 Electric Boiler 10.10 Con4 | Kabelbaum X22 Elektro Boiler 10.10 Con4 | | x | | | | 1 | | | | X22 |
| X022 | 5253510 | Wiring Loom X22 Electric Boiler 10.20 Con4 | Kabelbaum X22 Elektro Boiler 10.20 Con4 | | x | | | | | 1 | | | X22 |
| X022 | 5253543 | Wiring Loom X22 Electric Boiler 12.20 Con4 | Kabelbaum X22 Elektro Boiler 12.20 Con4 | | x | | | | | | 1 | | X22 |
| X022 | 5253551 | Wiring Loom X22 Electric Boiler 20.10 Con4 | Kabelbaum X22 Elektro Boiler 20.10 Con4 | | x | | | | | | | 1 | X22 |
| X022 | 5253518 | Wiring Loom X22 Electric Boiler 20.20 Con4 | Kabelbaum X22 Elektro Boiler 20.20 Con4 | | x | | | | | | | 1 | X22 |
| X022 | 5253620 | Wiring Loom X22 Electric Sprayer 6.10 Con4 | Kabelbaum X22 Elektro Spritzer 6.10 Con4 | | x | x | 1 | | | | | | X22 |
| X022 | 5253632 | Wiring Loom X22 Electric Sprayer 6.20 Con4 | Kabelbaum X22 Elektro Spritzer 6.20 Con4 | | x | | | 1 | | | | | X22 |
| X022 | 5253636 | Wiring Loom X22 Electric Sprayer 10.10 Con4 | Kabelbaum X22 Elektro Spritzer 10.10 Con4 | | x | | | | 1 | | | | X22 |
| X022 | 5253624 | Wiring Loom X22 Electric Sprayer 10.20 Con4 | Kabelbaum X22 Elektro Spritzer 10.20 Con4 | | x | | | | | 1 | | | X22 |
| X022 | 5253640 | Wiring Loom X22 Electric Sprayer 12.20 Con4 | Kabelbaum X22 Elektro Spritzer 12.20 Con4 | | x | | | | | | 1 | | X22 |
| X022 | 5253644 | Wiring Loom X22 Electric Sprayer 20.10 Con4 | Kabelbaum X22 Elektro Spritzer 20.10 Con4 | | x | | | | | | | 1 | X22 |
| X022 | 5253628 | Wiring Loom X22 Electric Sprayer 20.20 Con4 | Kabelbaum X22 Elektro Spritzer 20.20 Con4 | | x | | | | | | | 1 | X22 |
| X022 | 5253594 | Wiring Loom X22 Gas 6.10 Con4 | Kabelbaum X22 Gas 6.10 Con4 | | x | 1 | | | | | | | X22 |
| X022 | 5253595 | Wiring Loom X22 Gas 6.20 Con4 | Kabelbaum X22 Gas 6.20 Con4 | | x | | 1 | | | | | | X22 |
| X022 | 5253596 | Wiring Loom X22 Gas 10.10 Con4 | Kabelbaum X22 Gas 10.10 Con4 | | x | | | 1 | | | | | X22 |
| X022 | 5253597 | Wiring Loom X22 Gas 10.20 Con4 | Kabelbaum X22 Gas 10.20 Con4 | | x | | | | 1 | | | | X22 |
| X022 | 5253598 | Wiring Loom X22 Gas 12.20 Con4 | Kabelbaum X22 Gas 12.20 Con4 | | x | | | | | 1 | | | X22 |
| X022 | 5253599 | Wiring Loom X22 Gas 20.10 Con4 | Kabelbaum X22 Gas 20.10 Con4 | | x | | | | | | 1 | | X22 |
| X022 | 5253600 | Wiring Loom X22 Gas 20.20 Con4 | Kabelbaum X22 Gas 20.20 Con4 | | x | | | | | | | 1 | X22 |
| X023 | 5253503 | Wiring Loom X23 Boiler incl. Clean 6.10 Con4 | Kabelbaum X23 Boiler inkl. Reinigung 6.10 Con4 | | x | x | 1 | | | | | | X23 |
| X023 | 5253528 | Wiring Loom X23 Boiler incl. Cleaning 6.20 Con4 | Kabelbaum X23 Boiler inkl. Reinigung 6.20 Con4 | | x | x | | 1 | | | | | X23 |
| X023 | 5253536 | Wiring Loom X23 Boiler incl. Clean 10.10 Con4 | Kabelbaum X23 Boiler inkl. Reinigung 10.10 Con4 | | x | x | | | 1 | | | | X23 |
| X023 | 5253511 | Wiring Loom X23 Boiler incl. Clean 10.20 Con4 | Kabelbaum X23 Boiler inkl. Reinigung 10.20 Con4 | | x | x | | | | 1 | | | X23 |
| X023 | 5253544 | Wiring Loom X23 Boiler incl. Clean 12.20 Con4 | Kabelbaum X23 Boiler inkl. Reinigung 12.20 Con4 | | x | x | | | | | 1 | | X23 |
| X023 | 5253552 | Wiring Loom X23 Boiler incl. Clean 20.10 Con4 | Kabelbaum X23 Boiler inkl. Reinigung 20.10 Con4 | | x | x | | | | | | 1 | X23 |
| X023 | 5253519 | Wiring Loom X23 Boiler incl. Clean 20.20 Con4 | Kabelbaum X23 Boiler inkl. Reinigung 20.20 Con4 | | x | x | | | | | | 1 | X23 |
| X023 | 5253650 | Wiring Loom X23 Boiler without Clean 6.10 Con4 | Kabelbaum X23 Boiler ohne Reinigung 6.10 Con4 | | x | x | 1 | | | | | | X23 |
| X023 | 5253656 | Wiring Loom X23 Boiler without Clean 6.20 Con4 | Kabelbaum X23 Boiler ohne Reinigung 6.20 Con4 | | x | x | | 1 | | | | | X23 |
| X023 | 5253658 | Wiring Loom X23 Boiler without Clean 10.10 Con4 | Kabelbaum X23 Boiler ohne Reinigung 10.10 Con4 | | x | x | | | 1 | | | | X23 |
| X023 | 5253652 | Wiring Loom X23 Boiler without Clean 10.20 Con4 | Kabelbaum X23 Boiler ohne Reinigung 10.20 Con4 | | x | x | | | | 1 | | | X23 |
| X023 | 5253660 | Wiring Loom X23 Boiler without Clean 12.20 Con4 | Kabelbaum X23 Boiler ohne Reinigung 12.20 Con4 | | x | x | | | | | 1 | | X23 |
| X023 | 5253662 | Wiring Loom X23 Boiler without Clean 20.10 Con4 | Kabelbaum X23 Boiler ohne Reinigung 20.10 Con4 | | x | x | | | | | | 1 | X23 |
| X023 | 5253654 | Wiring Loom X23 Boiler without Clean 20.20 Con4 | Kabelbaum X23 Boiler ohne Reinigung 20.20 Con4 | | x | x | | | | | | 1 | X23 |
| X023 | 5253621 | Wiring Loom X23 Sprayer incl. Clean 6.10 Con4 | Kabelbaum X23 Spritzer inkl. Reinigung 6.10 Con4 | | x | x | 1 | | | | | | X23 |
| X023 | 5253633 | Wiring Loom X23 Sprayer incl. Clean 6.20 Con4 | Kabelbaum X23 Spritzer inkl. Reinigung 6.20 Con4 | | x | x | | 1 | | | | | X23 |
| X023 | 5253637 | Wiring Loom X23 Sprayer incl. Clean 10.10 Con4 | Kabelbaum X23 Spritzer inkl. Reinigung 10.10 Con4 | | x | x | | | 1 | | | | X23 |
| X023 | 5253625 | Wiring Loom X23 Sprayer incl. Clean 10.20 Con4 | Kabelbaum X23 Spritzer inkl. Reinigung 10.20 Con4 | | x | x | | | | 1 | | | X23 |
| X023 | 5253641 | Wiring Loom X23 Sprayer incl. Clean 12.20 Con4 | Kabelbaum X23 Spritzer inkl. Reinigung 12.20 Con4 | | x | x | | | | | 1 | | X23 |
| X023 | 5253645 | Wiring Loom X23 Sprayer incl. Clean 20.10 Con4 | Kabelbaum X23 Spritzer inkl. Reinigung 20.10 Con4 | | x | x | | | | | | 1 | X23 |
| X023 | 5253629 | Wiring Loom X23 Sprayer incl. Clean 20.20 Con4 | Kabelbaum X23 Spritzer inkl. Reinigung 20.20 Con4 | | x | x | | | | | | 1 | X23 |
| X023 | 5253670 | Wiring Loom X23 Sprayer without Clean 6.10 Con4 | Kabelbaum X23 Spritzer ohne Reinigung 6.10 Con4 | | x | x | 1 | | | | | | X23 |
| X023 | 5253676 | Wiring Loom X23 Sprayer without Clean 6.20 Con4 | Kabelbaum X23 Spritzer ohne Reinigung 6.20 Con4 | | x | x | | 1 | | | | | X23 |
| X023 | 5253678 | Wiring Loom X23 Sprayer without Clean 10.10 Con4 | Kabelbaum X23 Spritzer ohne Reinigung 10.10 Con4 | | x | x | | | 1 | | | | X23 |
| X023 | 5253672 | Wiring Loom X23 Sprayer without Clean 10.20 Con4 | Kabelbaum X23 Spritzer ohne Reinigung 10.20 Con4 | | x | x | | | | 1 | | | X23 |
| X023 | 5253680 | Wiring Loom X23 Sprayer without Clean 12.20 Con4 | Kabelbaum X23 Spritzer ohne Reinigung 12.20 Con4 | | x | x | | | | | 1 | | X23 |
| X023 | 5253682 | Wiring Loom X23 Sprayer without Clean 20.10 Con4 | Kabelbaum X23 Spritzer ohne Reinigung 20.10 Con4 | | x | x | | | | | | 1 | X23 |
| X023 | 5253674 | Wiring Loom X23 Sprayer without Clean 20.20 Con4 | Kabelbaum X23 Spritzer ohne Reinigung 20.20 Con4 | | x | x | | | | | | 1 | X23 |
| X023 | 5253733 | Wiring Loom X23 Boiler Tabletop Models incl. Clean Greasemanagement Con4 | Kabelbaum X23 Boiler Tischgeräte inkl. Reing. Fettmanagement Con4 | | x | x | 1 | 1 | 1 | 1 | | | X23 |
| X023 | 5253740 | Wiring Loom X23 Sprayer Tabletop Models incl. Clean Greasemanagement Con4 | Kabelbaum X23 Spritzer Tischgeräte inkl. Reing. Fettmanagement Con4 | | x | x | 1 | 1 | 1 | 1 | | | X23 |
| X023 | 5253736 | Wiring Loom X23 Boiler Floorstanding Models incl. Clean Greasemanagement Con4 | Kabelbaum X23 Boiler Standgeräte inkl. Reing. Fettmanagement Con4 | | x | x | | | | | 1 | 1 | X23 |
| X023 | 5253743 | Wiring Loom X23 Sprayer Floorstanding Models incl. Clean Greasemanagement Con4 | Kabelbaum X23 Spritzer Standgeräte inkl. Reing. Fettmanagement Con4 | | x | x | | | | | 1 | 1 | X23 |
| X025 | 5265706 | Wiring Loom X25 and X2Q0 repair set Con4 | Kabelbaum X25 und X2Q0 Reparaturset Con4 | | x | x | 1 | 1 | 1 | 1 | 1 | 1 | X025 |
| X026 | 5253504 | Wiring Loom X26 Electric Boiler 6.10 Con4 | Kabelbaum X26 Elektro Boiler 6.10 Con4 | | x | | 1 | | | | | | X26 |
| X026 | 5253529 | Wiring Loom X26 Electric Boiler 6.20 Con4 | Kabelbaum X26 Elektro Boiler 6.20 Con4 | | x | | | 1 | | | | | X26 |
| X026 | 5253537 | Wiring Loom X26 Electric Boiler 10.10 Con4 | Kabelbaum X26 Elektro Boiler 10.10 Con4 | | x | | | | 1 | | | | X26 |
| X026 | 5253512 | Wiring Loom X26 Electric Boiler 10.20 Con4 | Kabelbaum X26 Elektro Boiler 10.20 Con4 | | x | | | | | 1 | | | X26 |
| X026 | 5253545 | Wiring Loom X26 Electric Boiler 12.20 Con4 | Kabelbaum X26 Elektro Boiler 12.20 Con4 | | x | | | | | | 1 | | X26 |
| X026 | 5253553 | Wiring Loom X26 Electric Boiler 20.10 Con4 | Kabelbaum X26 Elektro Boiler 20.10 Con4 | | x | | | | | | | 1 | X26 |
| X026 | 5253520 | Wiring Loom X26 Electric Boiler 20.20 Con4 | Kabelbaum X26 Elektro Boiler 20.20 Con4 | | x | | | | | | | 1 | X26 |
| X026 | 5253622 | Wiring Loom X26 Electric Sprayer 6.10 Con4 | Kabelbaum X26 Elektro Spritzer 6.10 Con4 | | x | | 1 | | | | | | X26 |
| X026 | 5253634 | Wiring Loom X26 Electric Sprayer 6.20 Con4 | Kabelbaum X26 Elektro Spritzer 6.20 Con4 | | x | | | 1 | | | | | X26 |
| X026 | 5253638 | Wiring Loom X26 Electric Sprayer 10.10 Con4 | Kabelbaum X26 Elektro Spritzer 10.10 Con4 | | x | | | | 1 | | | | X26 |
| X026 | 5253626 | Wiring Loom X26 Electric Sprayer 10.20 Con4 | Kabelbaum X26 Elektro Spritzer 10.20 Con4 | | x | | | | | 1 | | | X26 |
| X026 | 5253642 | Wiring Loom X26 Electric Sprayer 12.20 Con4 | Kabelbaum X26 Elektro Spritzer 12.20 Con4 | | x | | | | | | 1 | | X26 |
| X026 | 5253646 | Wiring Loom X26 Electric Sprayer 20.10 Con4 | Kabelbaum X26 Elektro Spritzer 20.10 Con4 | | x | | | | | | | 1 | X26 |
| X026 | 5253630 | Wiring Loom X26 Electric Sprayer 20.20 Con4 | Kabelbaum X26 Elektro Spritzer 20.20 Con4 | | x | | | | | | | 1 | X26 |
| X026 | 5253690 | Wiring Loom X26 Gas Boiler 6.10 Conv 4 | Kabelbaum X26 Gas Boiler 6.10 Con4 | | x | 1 | | | | | | | X26 |
| X026 | 5264022 | Wiring Loom X26 Gas Boiler 6.10 UL (incl. 5253710) Conv 4 | Kabelbaum X26 Gas Boiler 6.10 UL (beinh. 5253710) Con4 | | x | 1 | | | | | | | X26 |
| X026 | 5253691 | Wiring Loom X26 Gas Boiler 6.20 Con4 | Kabelbaum X26 Gas Boiler 6.20 Con4 | | x | | 1 | | | | | | X26 |
| X026 | 5264023 | Wiring Loom X26 Gas Boiler 6.20 UL (incl. 5253711) Con4 | Kabelbaum X26 Gas Boiler 6.20 UL (beinh. 5253711) Con4 | | x | | | 1 | | | | | X26 |
| X026 | 5253692 | Wiring Loom X26 Gas Boiler 10.10 Con4 | Kabelbaum X26 Gas Boiler 10.10 Con4 | | x | | | | 1 | | | | X26 |
| X026 | 5264024 | Wiring Loom X26 Gas Boiler 10.10 UL (incl. 5253712) Con4 | Kabelbaum X26 Gas Boiler 10.10 UL (beinh. 5253712) Con4 | | x | | | | | 1 | | | X26 |

| # | ET-Nr. Part No | Description | Beschreibung | Elektro | Gas | 6.10 | 6.20 | 10.10 | 10.20 | 12.20 | 20.10 | 20.20 | BMK / ID |
|------|-------------------|---|---|---------|-----|------|------|-------|-------|-------|-------|-------|-----------|
| X026 | 5253693 | Wiring Loom X26 Gas Boiler 10.20 CE Con4 | Kabelbaum X26 Gas Boiler 10.20 CE Con4 | x | | | | | 1 | | | | X26 |
| X026 | 5264025 | Wiring Loom X26 Gas Boiler 10.20 UL (incl. 5253713) Con4 | Kabelbaum X26 Gas Boiler 10.20 UL (beinh. 5253713) Con4 | x | | | | | 1 | | | | X26 |
| X026 | 5253694 | Wiring Loom X26 Gas Boiler 12.20 CE Con4 | Kabelbaum X26 Gas Boiler 12.20 CE Con4 | x | | | | | | 1 | | | X26 |
| X026 | 5264026 | Wiring Loom X26 Gas Boiler 12.20 UL (incl. 5253714) Con4 | Kabelbaum X26 Gas Boiler 12.20 UL (beinh. 5253714) Con4 | x | | | | | | 1 | | | X26 |
| X026 | 5253695 | Wiring Loom X26 Gas Boiler 20.10 CE Con4 | Kabelbaum X26 Gas Boiler 20.10 CE Con4 | x | | | | | | | 1 | | X26 |
| X026 | 5264027 | Wiring Loom X26 Gas Boiler 20.10 UL (incl. 5253715) Con4 | Kabelbaum X26 Gas Boiler 20.10 UL (beinh. 5253715) Con4 | x | | | | | | | 1 | | X26 |
| X026 | 5253696 | Wiring Loom X26 Gas Boiler 20.20 CE Con4 | Kabelbaum X26 Gas Boiler 20.20 CE Con4 | x | | | | | | | | 1 | X26 |
| X026 | 5264028 | Wiring Loom X26 Gas Boiler 20.20 UL (incl. 5253716) Con4 | Kabelbaum X26 Gas Boiler 20.20 UL (beinh. 5253716) Con4 | x | | | | | | | | 1 | X26 |
| X026 | 5253697 | Wiring Loom X26 Gas Sprayer 6.10 CE Con4 | Kabelbaum X26 Gas Spritzer 6.10 CE Con4 | x | 1 | | | | | | | | X26 |
| X026 | 5264029 | Wiring Loom X26 Gas Sprayer 6.10 UL (incl. 5253717) Con4 | Kabelbaum X26 Gas Spritzer 6.10 UL (beinh. 5253717) Con4 | x | 1 | | | | | | | | X26 |
| X026 | 5253698 | Wiring Loom X26 Gas Sprayer 6.20 CE Con4 | Kabelbaum X26 Gas Spritzer 6.20 CE Con4 | x | | 1 | | | | | | | X26 |
| X026 | 5264030 | Wiring Loom X26 Gas Sprayer 6.20 UL (incl. 5253718) Con4 | Kabelbaum X26 Gas Spritzer 6.20 UL (beinh. 5253718) Con4 | x | | 1 | | | | | | | X26 |
| X026 | 5253699 | Wiring Loom X26 Gas Sprayer 10.10 CE Con4 | Kabelbaum X26 Gas Spritzer 10.10 CE Con4 | x | | | | 1 | | | | | X26 |
| X026 | 5264031 | Wiring Loom X26 Gas Sprayer 10.10 UL (incl. 5253719) Con4 | Kabelbaum X26 Gas Spritzer 10.10 UL (beinh. 5253719) Con4 | x | | | | 1 | | | | | X26 |
| X026 | 5253700 | Wiring Loom X26 Gas Sprayer 10.20 CE Con4 | Kabelbaum X26 Gas Spritzer 10.20 CE Con4 | x | | | | | 1 | | | | X26 |
| X026 | 5264032 | Wiring Loom X26 Gas Sprayer 10.20 UL (incl. 5253720) Con4 | Kabelbaum X26 Gas Spritzer 10.20 UL (beinh. 5253720) Con4 | x | | | | | 1 | | | | X26 |
| X026 | 5253701 | Wiring Loom X26 Gas Sprayer 12.20 CE Con4 | Kabelbaum X26 Gas Spritzer 12.20 CE Con4 | x | | | | | | 1 | | | X26 |
| X026 | 5264033 | Wiring Loom X26 Gas Sprayer 12.20 UL (incl. 5253721) Con4 | Kabelbaum X26 Gas Spritzer 12.20 UL (beinh. 5253721) Con4 | x | | | | | | 1 | | | X26 |
| X026 | 5253702 | Wiring Loom X26 Gas Sprayer 20.10 CE Con4 | Kabelbaum X26 Gas Spritzer 20.10 CE Con4 | x | | | | | | | 1 | | X26 |
| X026 | 5264034 | Wiring Loom X26 Gas Sprayer 20.10 UL (incl. 5253722) Con4 | Kabelbaum X26 Gas Spritzer 20.10 UL (beinh. 5253722) Con4 | x | | | | | | | 1 | | X26 |
| X026 | 5253703 | Wiring Loom X26 Gas Sprayer 20.20 CE Con4 | Kabelbaum X26 Gas Spritzer 20.20 CE Con4 | x | | | | | | | | 1 | X26 |
| X026 | 5264035 | Wiring Loom X26 Gas Sprayer 20.20 UL (incl. 5253723) Con4 | Kabelbaum X26 Gas Spritzer 20.20 UL (beinh. 5253723) Con4 | x | | | | | | | | 1 | X26 |
| X027 | 5256480 | Wiring Loom X27 (includes 5253505) Con4 | Kabelbaum X27 (beinhaltet 5253505) Con4 | x | x | 1 | 1 | 1 | 1 | 1 | 1 | 1 | X27 |
| X030 | 5256451 | Wiring Loom X30 20.10 20.20 (includes 5253524) Con4 | Kabelbaum X30 20.10 20.20 (beinhaltet 5253524) Con4 | x | x | | | | | | | 1 | X30 |
| X040 | 5253506 | Wiring Loom X40 Boiler incl. Clean 6.10 Con4 | Kabelbaum X40 Boiler inkl. Reinigung 6.10 Con4 | x | x | 1 | | | | | | | X40 |
| X040 | 5253531 | Wiring Loom X40 Boiler incl. Clean 6.20 Con4 | Kabelbaum X40 Boiler inkl. Reinigung 6.20 Con4 | x | x | | 1 | | | | | | X40 |
| X040 | 5253539 | Wiring Loom X40 Boiler incl. Clean 10.10 Con4 | Kabelbaum X40 Boiler inkl. Reinigung 10.10 Con4 | x | x | | | 1 | | | | | X40 |
| X040 | 5253514 | Wiring Loom X40 Boiler incl. Clean 10.20 Con4 | Kabelbaum X40 Boiler inkl. Reinigung 10.20 Con4 | x | x | | | | 1 | | | | X40 |
| X040 | 5253547 | Wiring Loom X40 Boiler incl. Clean 12.20 Con4 | Kabelbaum X40 Boiler inkl. Reinigung 12.20 Con4 | x | x | | | | | 1 | | | X40 |
| X040 | 5253555 | Wiring Loom X40 Boiler incl. Clean 20.10 Con4 | Kabelbaum X40 Boiler inkl. Reinigung 20.10 Con4 | x | x | | | | | | 1 | | X40 |
| X040 | 5253522 | Wiring Loom X40 Boiler incl. Clean 20.20 Con4 | Kabelbaum X40 Boiler inkl. Reinigung 20.20 Con4 | x | x | | | | | | | 1 | X40 |
| X040 | 5253651 | Wiring Loom X40 Boiler without Clean 6.10 Con4 | Kabelbaum X40 Boiler ohne Reinigung 6.10 Con4 | x | x | 1 | | | | | | | X40 |
| X040 | 5253657 | Wiring Loom X40 Boiler without Clean 6.20 Con4 | Kabelbaum X40 Boiler ohne Reinigung 6.20 Con4 | x | x | | 1 | | | | | | X40 |
| X040 | 5253659 | Wiring Loom X40 Boiler without Clean 10.10 Con4 | Kabelbaum X40 Boiler ohne Reinigung 10.10 Con4 | x | x | | | 1 | | | | | X40 |
| X040 | 5253653 | Wiring Loom X40 Boiler without Clean 10.20 Con4 | Kabelbaum X40 Boiler ohne Reinigung 10.20 Con4 | x | x | | | | 1 | | | | X40 |
| X040 | 5253661 | Wiring Loom X40 Boiler without Clean 12.20 Con4 | Kabelbaum X40 Boiler ohne Reinigung 12.20 Con4 | x | x | | | | | 1 | | | X40 |
| X040 | 5253663 | Wiring Loom X40 Boiler without Clean 20.10 Con4 | Kabelbaum X40 Boiler ohne Reinigung 20.10 Con4 | x | x | | | | | | 1 | | X40 |
| X040 | 5253655 | Wiring Loom X40 Boiler without Clean 20.20 Con4 | Kabelbaum X40 Boiler ohne Reinigung 20.20 Con4 | x | x | | | | | | | 1 | X40 |
| X040 | 5253623 | Wiring Loom X40 Sprayer incl. Clean 6.10 Con4 | Kabelbaum X40 Spritzer inkl. Reinigung 6.10 Con4 | x | x | 1 | | | | | | | X40 |
| X040 | 5253635 | Wiring Loom X40 Sprayer incl. Clean 6.20 Con4 | Kabelbaum X40 Spritzer inkl. Reinigung 6.20 Con4 | x | x | | 1 | | | | | | X40 |
| X040 | 5253639 | Wiring Loom X40 Sprayer incl. Clean 10.10 Con4 | Kabelbaum X40 Spritzer inkl. Reinigung 10.10 Con4 | x | x | | | 1 | | | | | X40 |
| X040 | 5253627 | Wiring Loom X40 Sprayer incl. Clean 10.20 Con4 | Kabelbaum X40 Spritzer inkl. Reinigung 10.20 Con4 | x | x | | | | 1 | | | | X40 |
| X040 | 5253643 | Wiring Loom X40 Sprayer incl. Clean 12.20 Con4 | Kabelbaum X40 Spritzer inkl. Reinigung 12.20 Con4 | x | x | | | | | 1 | | | X40 |
| X040 | 5253647 | Wiring Loom X40 Sprayer incl. Clean 20.10 Con4 | Kabelbaum X40 Spritzer inkl. Reinigung 20.10 Con4 | x | x | | | | | | 1 | | X40 |
| X040 | 5253631 | Wiring Loom X40 Sprayer incl. Clean 20.20 Con4 | Kabelbaum X40 Spritzer inkl. Reinigung 20.20 Con4 | x | x | | | | | | | 1 | X40 |
| X040 | 5253671 | Wiring Loom X40 Sprayer without Clean 6.10 Con4 | Kabelbaum X40 Spritzer ohne Reinigung 6.10 Con4 | x | x | 1 | | | | | | | X40 |
| X040 | 5253677 | Wiring Loom X40 Sprayer without Clean 6.20 Con4 | Kabelbaum X40 Spritzer ohne Reinigung 6.20 Con4 | x | x | | 1 | | | | | | X40 |
| X040 | 5253679 | Wiring Loom X40 Sprayer without Clean 10.10 Con4 | Kabelbaum X40 Spritzer ohne Reinigung 10.10 Con4 | x | x | | | 1 | | | | | X40 |
| X040 | 5253673 | Wiring Loom X40 Sprayer without Clean 10.20 Con4 | Kabelbaum X40 Spritzer ohne Reinigung 10.20 Con4 | x | x | | | | 1 | | | | X40 |
| X040 | 5253681 | Wiring Loom X40 Sprayer without Clean 12.20 Con4 | Kabelbaum X40 Spritzer ohne Reinigung 12.20 Con4 | x | x | | | | | 1 | | | X40 |
| X040 | 5253683 | Wiring Loom X40 Sprayer without Clean 20.10 Con4 | Kabelbaum X40 Spritzer ohne Reinigung 20.10 Con4 | x | x | | | | | | 1 | | X40 |
| X040 | 5253675 | Wiring Loom X40 Sprayer without Clean 20.20 Con4 | Kabelbaum X40 Spritzer ohne Reinigung 20.20 Con4 | x | x | | | | | | | 1 | X40 |
| X041 | 5253744 | Wiring Loom X41 Greasemanagement, Vaporreduction Con4 | Kabelbaum X41 Fettmanagement, Kondensationseinheit Con4 | x | x | 1 | 1 | 1 | 1 | 1 | 1 | 1 | X41 |
| X045 | 5256485 | Wiring Loom X45 (includes 5253507) Con4 | Kabelbaum X45 (beinhaltet 5253507) Con4 | x | x | 1 | 1 | 1 | 1 | 1 | 1 | 1 | X45 |
| X046 | 5253756 | Wiring Loom X46 Tabletop Models Greasemanagement CE Con4 | Kabelbaum X46 Tischgeräte Fettmanagement CE Con4 | x | x | 1 | 1 | 1 | 1 | | | | X46 |
| X046 | 5253758 | Wiring Loom X46 Floorstanding Models Greasemanagement CE Con4 | Kabelbaum X46 Standgeräte Fettmanagement CE Con4 | x | x | | | | | 1 | 1 | 1 | X46 |
| X046 | 5253761 | Wiring Loom X46 Tabletop Models Greasemanagement UL Con4 | Kabelbaum X46 Tischgeräte Fettmanagement UL Con4 | x | x | 1 | 1 | 1 | 1 | | | | X46 |
| X046 | 5253763 | Wiring Loom X46 Floorstanding Models Greasemanagement UL Con4 | Kabelbaum X46 Standgeräte Fettmanagement UL Con4 | x | x | | | | | 1 | 1 | 1 | X46 |
| X231 | 5253880 | Wiring Loom X231 X401 for Cleaning Con4 | Kabelbaum X231 X401 für Reinigung Con4 | x | x | 1 | 1 | 1 | 1 | 1 | 1 | 1 | X231 X401 |
| X411 | 5253746 | Wiring Loom X411 Tabletop Models Greasemanagement Con4 | Kabelbaum X411 Tischgeräte Fettmanagement Con4 | x | x | 1 | 1 | 1 | 1 | | | | X411 |
| X411 | 5253747 | Wiring Loom X411 Floorstanding Models Greasemanagement Con4 | Kabelbaum X411 Standgeräte Fettmanagement Con4 | x | x | | | | | 1 | 1 | 1 | X411 |
| X412 | 5253752 | Wiring Loom X412 Vaporreduction Con4 | Kabelbaum X412 Kondensationseinheit Con4 | x | x | 1 | 1 | 1 | 1 | 1 | 1 | 1 | X412 |