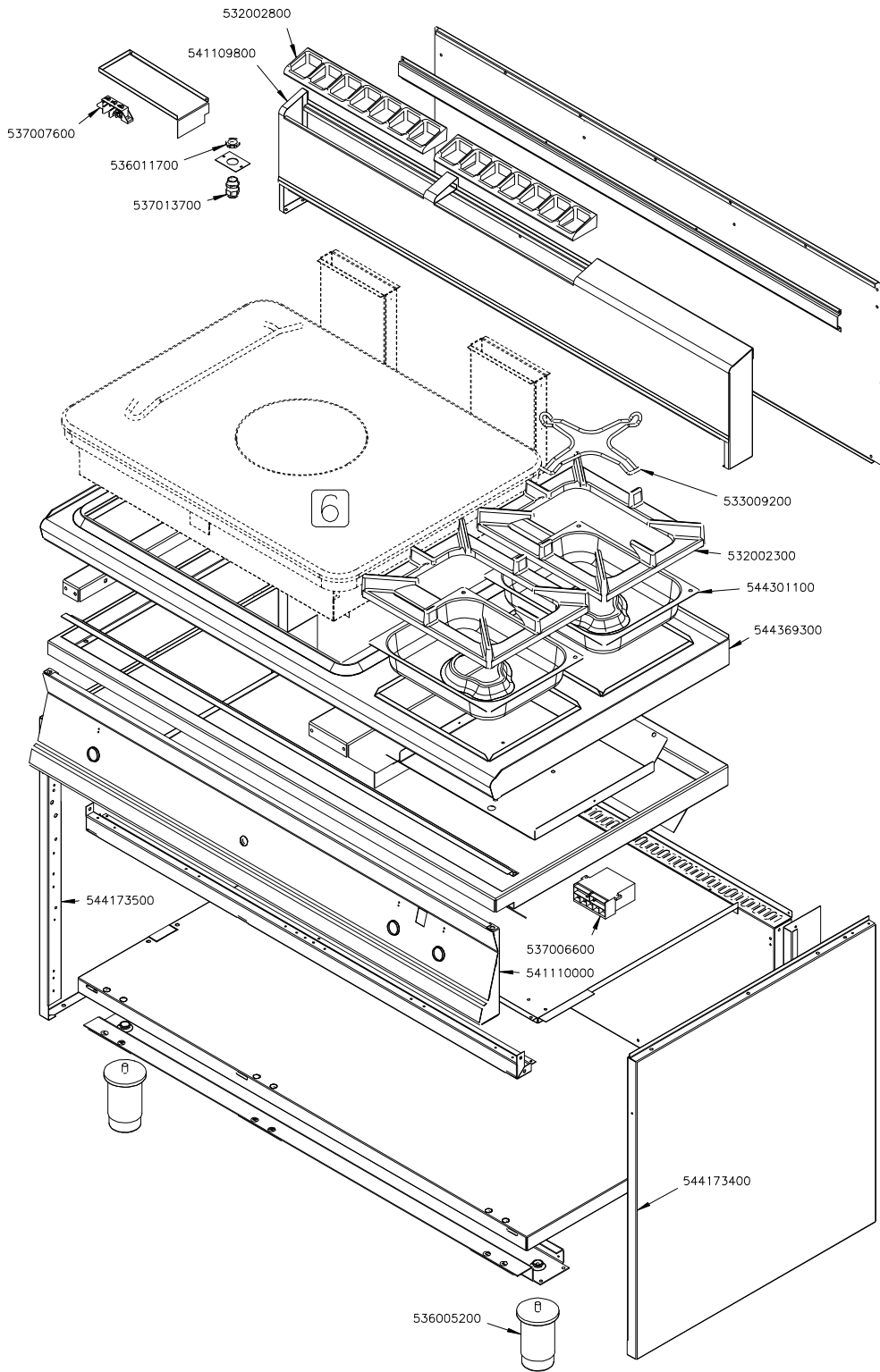
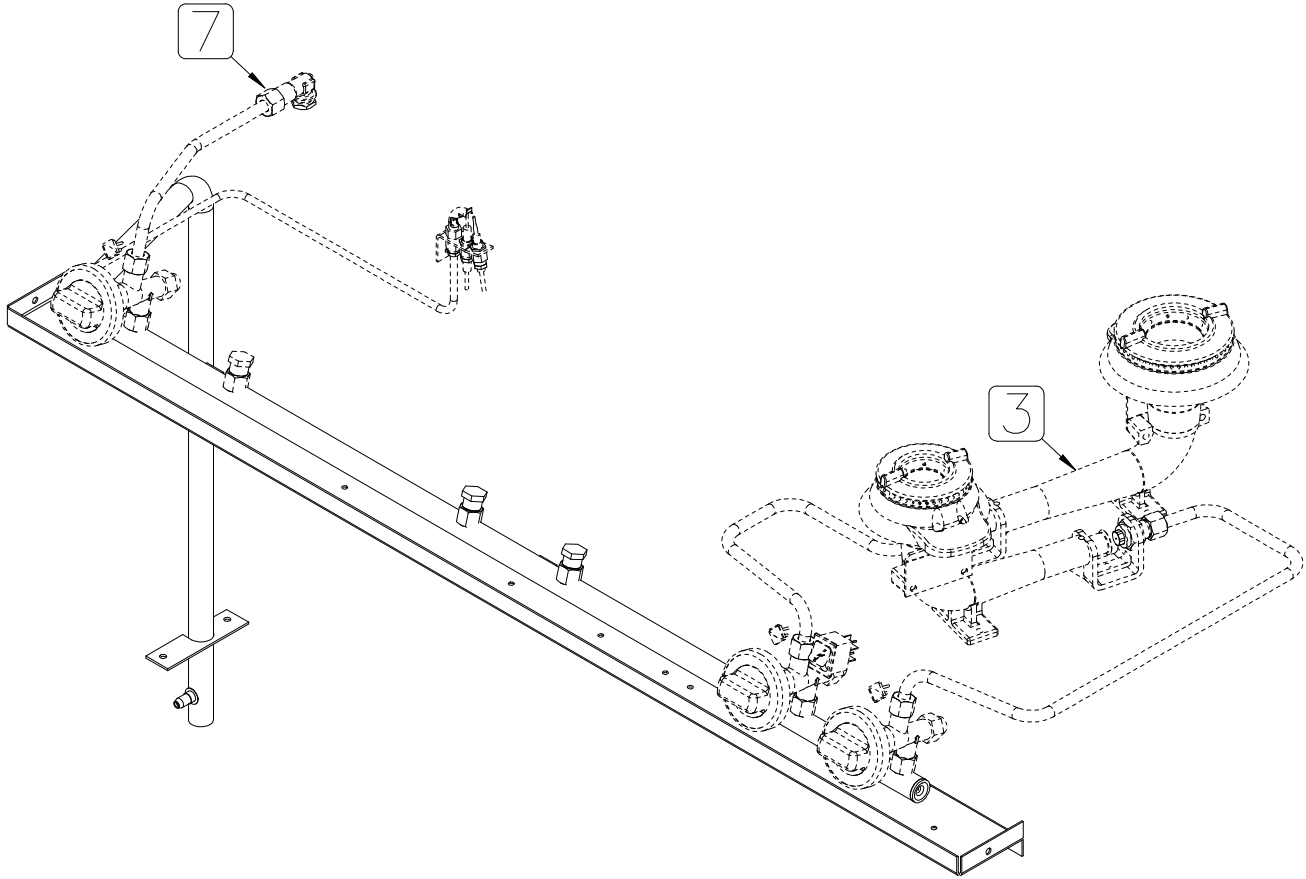
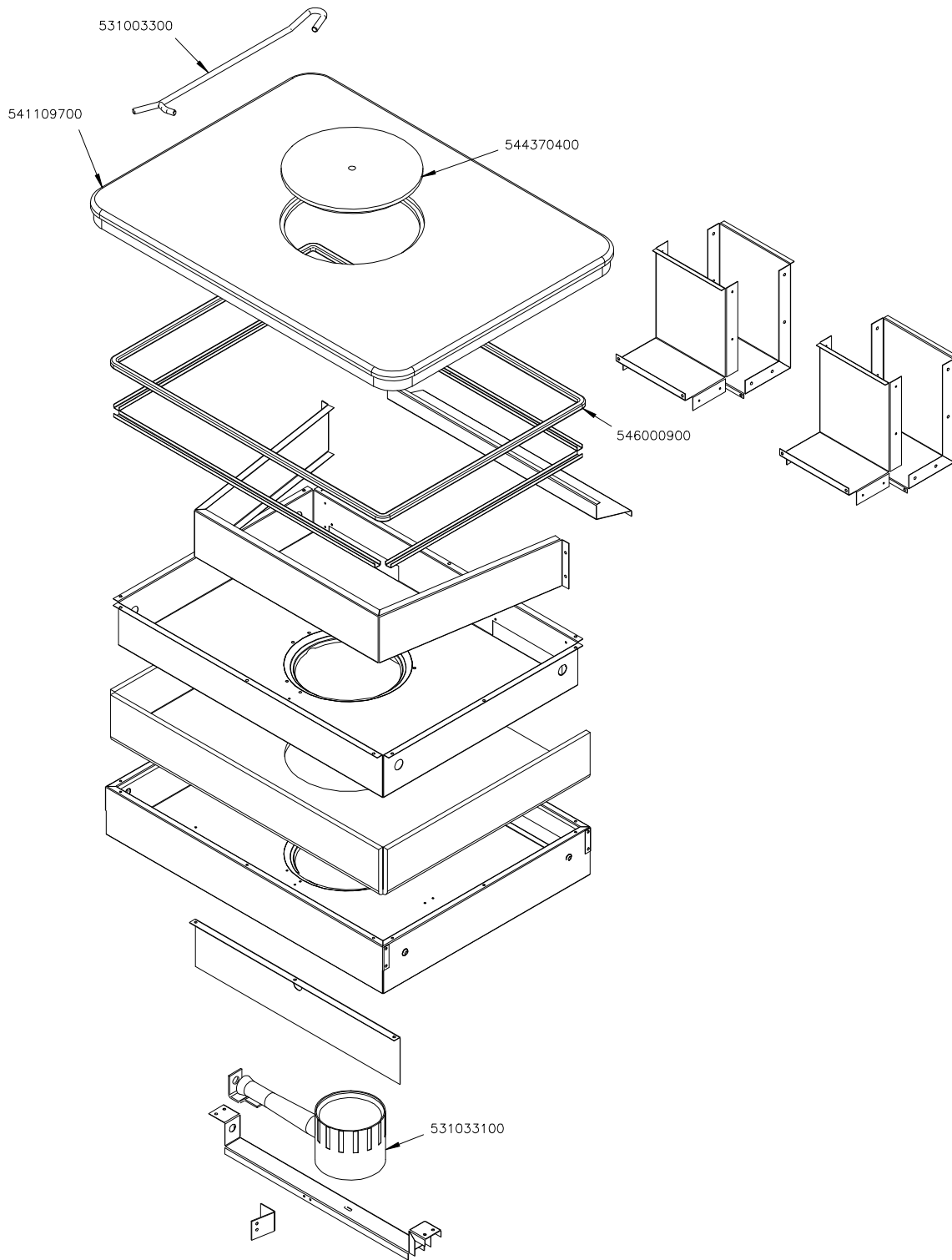


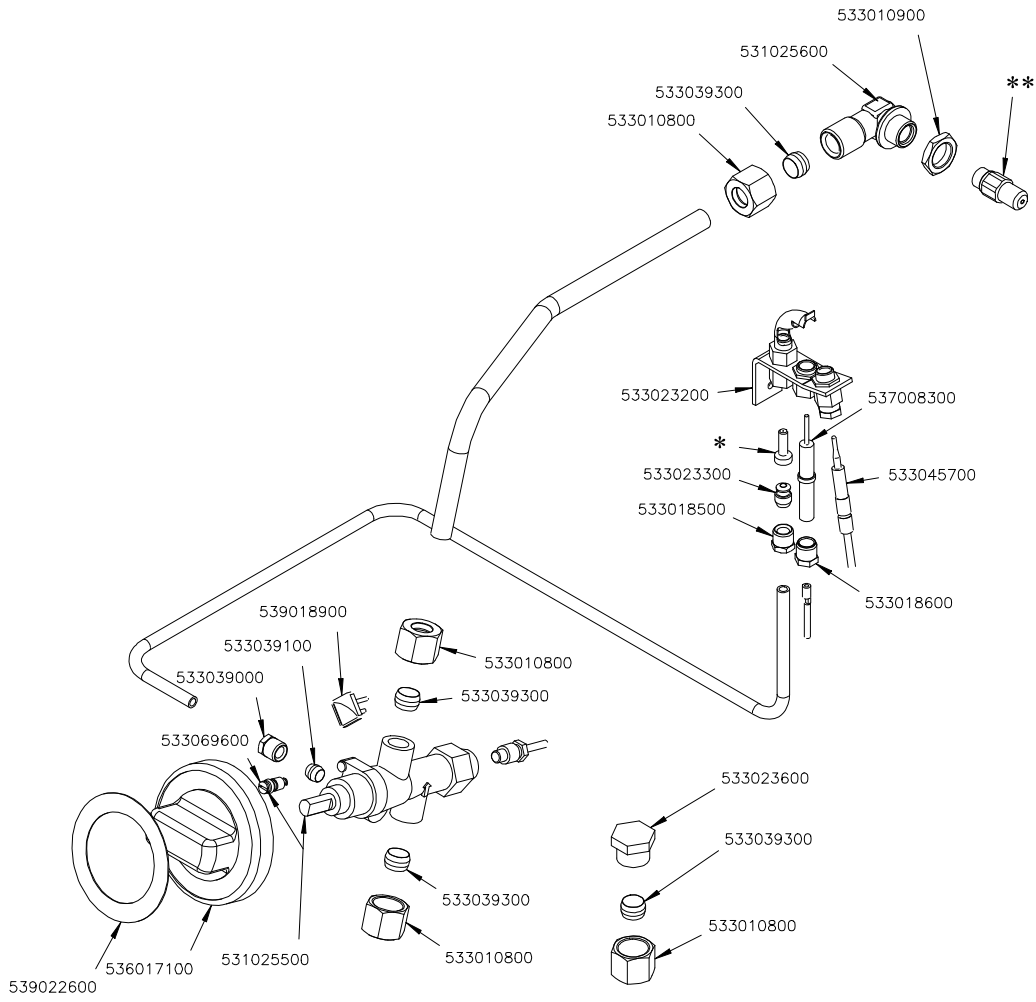
TP2-712G





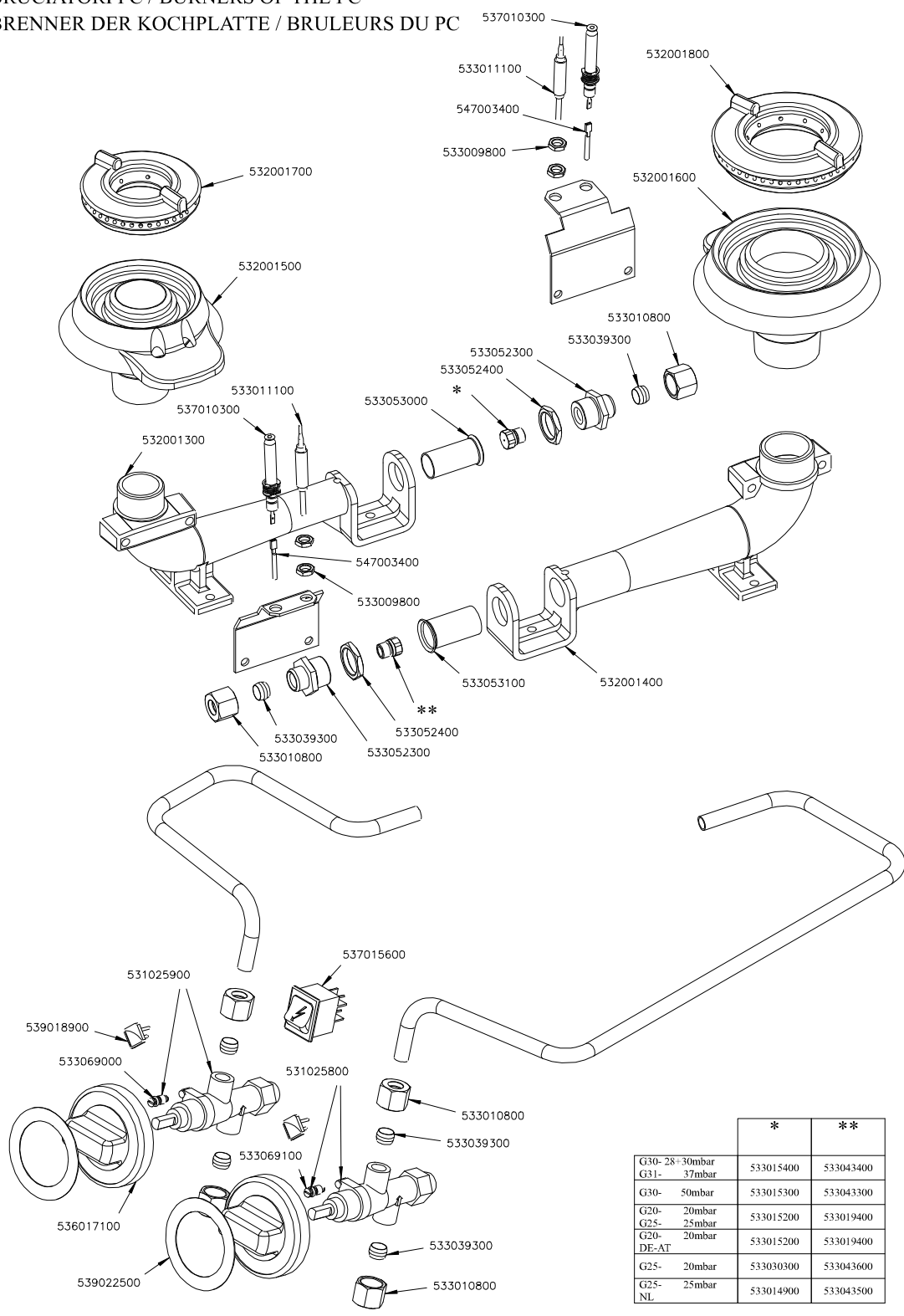
TP CARCASSA / TP CASING / TP GEHAUSE / CARCASSE





	*	**
G30- 28+30mbar G31- 37mbar	533020500	533019600
G30- 50mbar	533020500	533046200
G20- 20mbar G25- 25mbar	533020600	533057500
G20- 20mbar DE-AT	533020600	533057500
G25- 20mbar	533020600	533032801
G25- 25mbar NL	533020600	533032001

BRUCIATORI PC / BURNERS OF THE PC
 BRENNER DER KOCHPLATTE / BRULEURS DU PC



	*	**
G30- 28-30mbar	533015400	533043400
G31- 37mbar		
G30- 50mbar	533015300	533043300
G20- 20mbar	533015200	533019400
G25- 25mbar		
G20- 20mbar	533015200	533019400
DE-AT		
G25- 20mbar	533030300	533043600
G25- 25mbar	533014900	533043500
NL		

Page	Pos	Code	Description
001		532002800	GRID FOR PIPE L=370 S.70
001		541109800	PERFORATED SPACER 712
001		537007600	TERMINAL BLOCK SINGLEPHASE 40A
001		536011700	HEXAGONAL LOCK NUT PG-11
001		537013700	CABLE SECURING CLAMP PG-11
001		533009200	REDUCTION FOR 65 AND 70 LINE
001		532002300	1 FLAME GRILL 346X274 (70)
001		544301100	ENAMELLED BURNER DRIP PAN 1/2
001		544369300	UPPER PLATE TP2-712G
001		544173500	LEFT SIDE PANEL S.70
001		537006600	IGNITION UNIT 4 FLAMES V230
001		541110000	CONTROL PANEL TP-712G
001		544173400	RIGHT SIDE PANEL S.70
001		536005200	INOX LEG 2" 120-180 M10
003		531003300	TP-PLATE LIFTING HOOK
003		541109700	PLATE TP-78G
003		544370400	RING PLATE TP S.70
003		546000900	SQUARE BRAID OF INSULATING MATERIAL
003		531033100	BURNER TP..-78G
004		533010900	NUT M14*1 H.4
004		531025600	ELBOW 90° NOZZLE-HOLDER §10 PIPE
004		533039300	BICONE §10
004		533010800	TUBE NUT D.10 M16*1,5
004		533023200	"TARGET" PILOT + NIPPLE TC BRAC.90°
004		533023300	BICONE §6 ("TARGET" PILOT)
004		533018500	FITTING FOR BICONE D.6 M10*1
004		537008300	ROUND PLUG §2,4- LONG ELECTRODE
004		533045700	THERMOCOUPLE M9*1 500
004		533018600	PLUG FITTING
004		539018900	INDEX FOR KNOB
004		533039100	BICONE §6
004		533039000	NUT FOR PILOT TUBE §6
004		533069600	BY PASS COCK §130 20S-21S
004		539022600	GRADUATED STICKER FOR KNOB
004		536017100	BLACK KNOB §70 PIN §8*6,5
004		531025500	GAS COCK 21S P.V.BY-PASS Ø130
004		533023600	TAP PLUG §10 M16*1, 5CH19
004		533020500	NOZZLE 0.140 §19
004		533019600	NOZZLE §165 CH12*30 MH-FT5 H-FT6
004		533046200	NOZZLE §150 CH12X30 L-BR TP
004		533020600	NOZZLE 0.140 §27
004		533057500	NOZZLE §260 CH12X30
004		533032801	NOZZLE §280 CH12*30 M-CPM
004		533032001	NOZZLE §270 CH12*30 MH-CPM
005		537010300	PLUG IGNITION WITH SPRING PC65
005		532001800	QUICKBURNER §102
005		533011100	THERMOCOUPLE 600 M8*1
005		547003400	HIGH-VOLTAGE CABLE L=900
005		533009800	BRASS NUT M8*1
005		532001700	QUICKBURNER §82
005		532001600	BURNER BODY 5,5 KW

Page	Pos	Code	Description
005		532001500	BURNER BODY 3,5 KW
005		533010800	TUBE NUT D.10 M16*1,5
005		533039300	BICONE §10
005		533052300	JOINT FOR NOZZLE HOLDER
005		533052400	NUT M20*1 H4
005		533053000	AIR ADJUSTMENT BUSHING §18
005		532001300	BURNER VENTURI 3,5 KW
005		532001400	BURNER VENTURI 5,5 KW
005		533053100	AIR ADJUSTMENT BUSHING §20
005		537015600	BIPOLAR SWITCH
005		531025900	SAFETY TAP 20S-B PEL20S21070
005		539018900	INDEX FOR KNOB
005		533069000	BY PASS COCK §70 20S-21S
005		536017100	BLACK KNOB §70 PIN §8*6,5
005		539022500	ADHESIVE GRADUATED DISC FOR KNOB
005		531025800	SAFETY TAP 20S-B PEL20S2160
005		533069100	BY PASS COCK §60 20S
005		533015400	NOZZLE §93 CH12*14 G-PC4 R
005		533043400	NOZZLE §117 CH12*14 G-PC4 UR
005		533015300	NOZZLE §82 CH12*14 F-PC4 R
005		533043300	NOZZLE §103 CH12*14 F-PC4 UR
005		533015200	NOZZLE §145 CH12*14 F-FP/CP6
005		533019400	NOZZLE §180 CH12*14 L-FQ5
005		533030300	NOZZLE §160 CH12*14 M-FPG
005		533043600	NOZZLE §200 CH12*14 L-PC4 UR
005		533014900	NOZZLE §150 CH12*14 F-FQ5 L-FQ6
005		533043500	NOZZLE §190 CH12*14 G25 PC4R