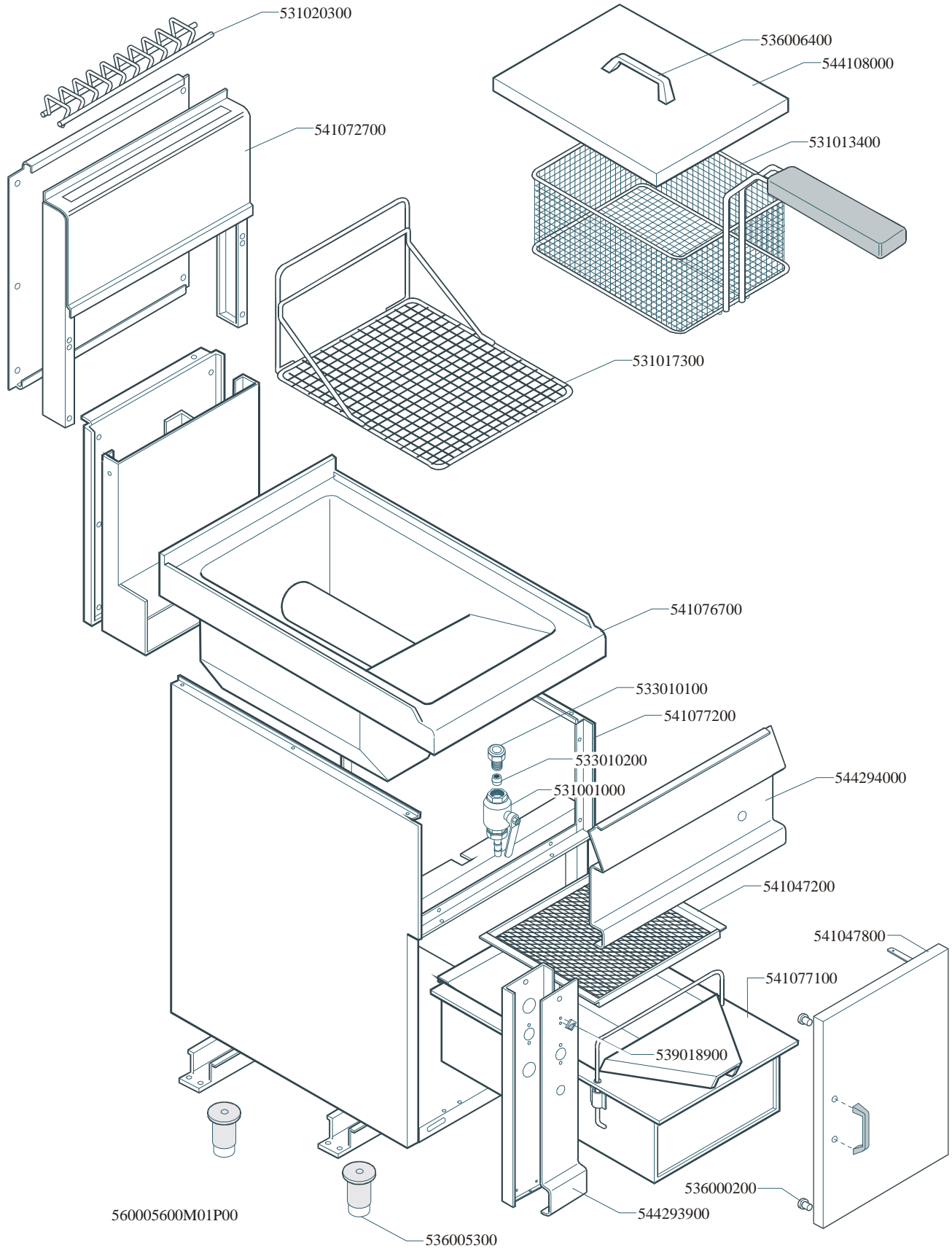


MAGIC PROF 65
GAS / GAS / GAS / GAZ

FQM-4G

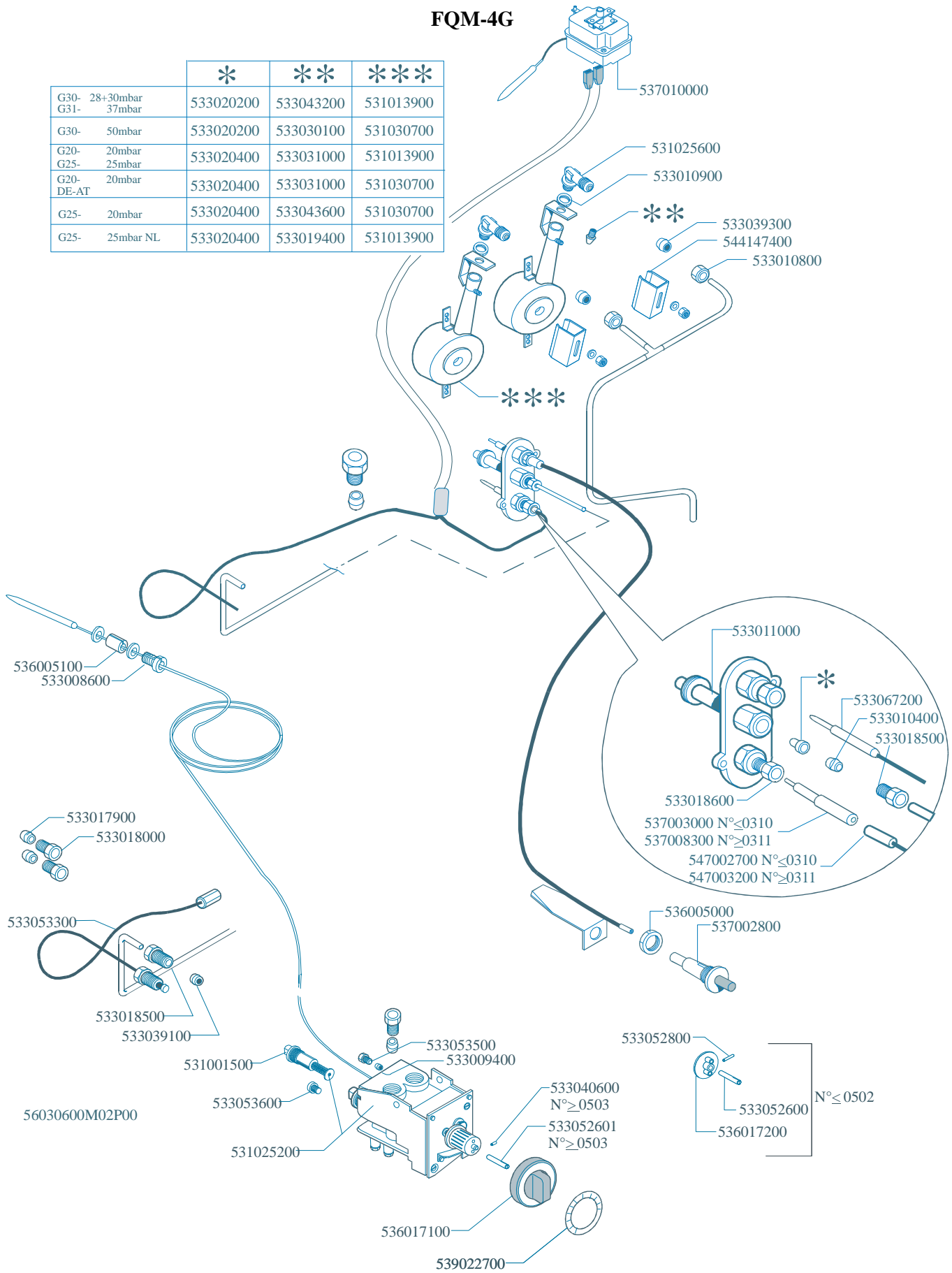


MAGIC PROF 65

GAS / GAS / GAS / GAZ

FQM-4G

		*	**	***
G30- 28+30mbar G31- 37mbar		533020200	533043200	531013900
G30- 50mbar		533020200	533030100	531030700
G20- 20mbar G25- 25mbar		533020400	533031000	531013900
G20- 20mbar DE-AT		533020400	533031000	531030700
G25- 20mbar		533020400	533043600	531030700
G25- 25mbar NL		533020400	533019400	531013900



Page	Pos	Code	Description
001		531020300	FLUE GRID 400"S65"
001		541072700	PERFORATED SPACER 4
001		536006400	BLACK HANDLE 65/FE/FG
001		544108000	TANK LID FMG-15-2/15 FQM-4G
001		531013400	FRYER BASKET 15LTS.GAS/ELECTRIC
001		531017300	TANK FILTER/BASKET SUPPORT FMG15/18
001		541076700	UPPER PLATE FQM-4G
001		533010100	3/4 D. 18 PIPE UNION
001		541077200	FRAME FQM-4G
001		533010200	BICONE 18S
001		531001000	DRAIN COCK 3/4" + HANDLE
001		544294000	UPPER NEUTRAL CONTROL PANEL FQM-4G
001		541047200	FILTER FOR DRIP TRAY
001		541047800	RIGHT DOOR 30
001		541077100	FILTER FOR DRIP TRAY 23L
001		539018900	INDEX FOR KNOB
001		536000200	D.12 H.4 BUMPER
001		544293900	CONTROL PANEL FQM-4G
001		536005300	PLASTIC LED 2"
002		533010800	TUBE NUT D.10 M16*1,5
002		533011000	PILOT BURNER 3 FLAMES 320
002		536005100	GRAPHITE §07,4 GASKET
002		533008600	STUFFING BOX M9*1
002		533067200	THERMOCOUPLE 220+500 M9*1 CUT-OFF
002		533010400	BICONE D.6
002		533018500	FITTING FOR BICONE D.6 M10*1
002		533018600	PLUG FITTING
002		533017900	BICONE D.12
002		533018000	ELBOW FOR BICONE D.12 3/8 RS L20
002		533053300	THERMOCOUPLE EXTENSION M9*1
002		533039100	BICONE §6
002		531001500	MAGNET FOR EUROSIT VALVE
002		536005000	NUT M18 FOR PIEZOELECTRIC IGNITION
002		537002800	PIEZOELECTRIC IGNITION M18
002		533053500	FLARED FITTING FOR BICONE 3/8G
002		533009400	BICONE 10S
002		533053600	EUROSIT VALVE PLUG
002		531025200	EUROSIT VALVE FQ 110-190°C
002		536017100	BLACK KNOB §70 PIN §8*6,5
002		539022700	ADHESIVE GRADUATED DISC FOR KNOB
002		537010000	SAFETY THERMOSTAT 220°C SINGLEPHASE
002		531025600	ELBOW 90° NOZZLE-HOLDER §10 PIPE
002		533010900	NUT M14*1 H.4
002		533039300	BICONE §10
002		544147400	AIR ADJUSTMENT BUSHING FMG-FQ
002		537003000	PLUG M4 - LONG ELECTRODE
002		537008300	ROUND PLUG §2,4- LONG ELECTRODE
002		547002700	HIGH-VOLTAGE CABLE L=500
002		547003200	HIGH-VOLTAGE CABLE TUBE.§2 L=500
002		533052800	ELASTIC PEG §2,5*26
002		533052600	PIN FOR KNOB 65LINE

Page	Pos	Code	Description
002		536017200	MATCHER REMOTE CONTROL EUROSIT
002		533040600	HEADLESS SCREW M4*8
002		533052601	
002		533020200	PILOT JETS 0160 FOR LPG §30
002		533043200	NOZZLE §110 G30 (LPG) CH12X14
002		531013900	BURNER FMG-10/15
002		533030100	NOZZLE §95 CH12*14 G-FP
002		531030700	BURNER "S" FMG-10/15
002		533020400	NOZZLE 0160 (NATURAL GAS) 51
002		533031000	NOZZLE §175 CH12X14
002		533043600	NOZZLE §200 CH12*14 L-PC4 UR
002		533019400	NOZZLE §180 CH12*14 L-FQ5