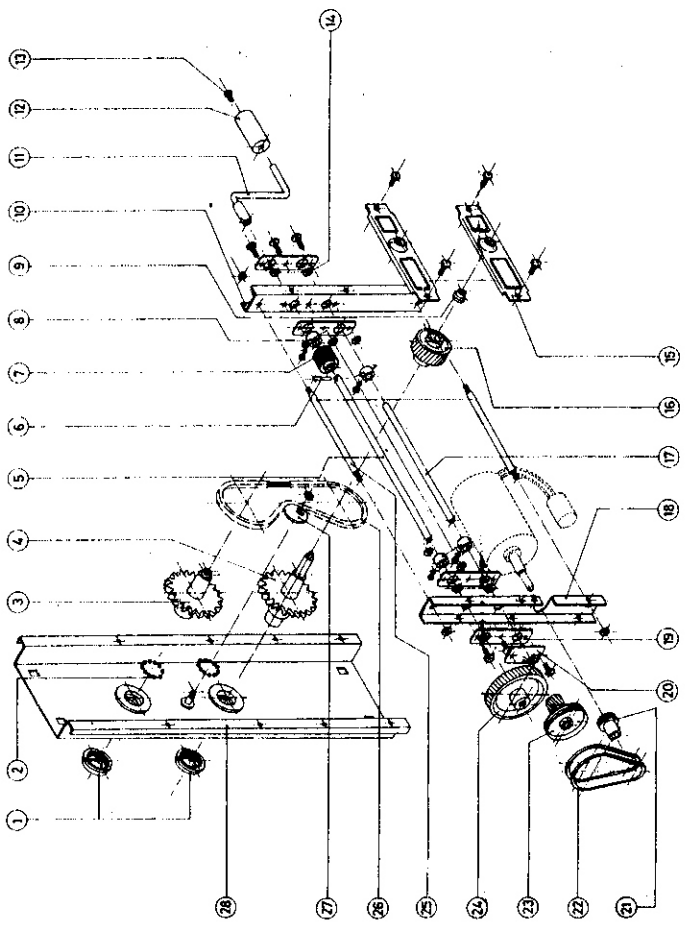


EURASTSISTEMA MOTRIZ
SYSTEME MOTRICE
MOVING SYSTEM**SISTEMA
ANTI GUD**SERIE
SERIES

2000

MOD. 210 - 315 - 420 - 630 - 840 - 1260 - 1680

EJEMPLO 210
EXEMPLE 210
EXAMPLE 210**EURAST**

POSICION POSITION POSITION	CODIGO CODE CODE	DENOMINACION / MODELO DENOMINATION / MODELE NAME / MODEL
1	70430102	TUERCA PORTA COJINETE ECROU POURTE ROULEMENT BEARING HOLDER NUT
2	C6060139	BOLAS BILLES BALLS
3	7049X009	PIÑON 2.ª ESPADA PIGNON 2e BROCHE 2nd SPIT PINION
4	7049W009	PIÑON 1.ª ESPADA PIGNON 1e BROCHE 1st SPIT PINION
4-16-6	704M0049	PIÑON PRIMERA ESPADA Y CORONA PIGNON PREMIERE BROCHE ET COURONNE TONG AXLE-PINION AND CROWN
5	70430163	EJE SEGUNDA REDUCCION AXE DEUXIEME REDUCTION AXLE SECOND REDUCTION
6	C1360229	PAÑADOR GOUPILLE PIN
7	704M0059	VI-SIN-FIN VI-SIN-FIN VI-SIN-FIN
8	70430073	DOLLA REDUCCION RONDELLE REDUCTION REDUCTION SPRING
9	70460269	COJINETE POROSOIL ROULEMENT POROSOIL POROSOIL BEARING
10	70430153	SOPORTE REDUCCION DERECHO SUPPORT REDUCTION DROIT RIGHT REDUCTION SUPPORT

EURAST

POSICION POSITION POSITION	CODIGO CODE CODE	DENOMINACION / MODELO DENOMINATION / MODELE NAME / MODEL
11	7023F012	MANIVELA MANIVELLE CRANK
12	70290489	MANGO MANIVELA MANCHE MANIVELLE CRANK HANDLE
13	C1064253	TORNILLO MANIVELA VIS MANIVELLE CRANK SCREW
14	C6060109	RODAMIENTO DE BOLAS ROULEMENT A BILLES BALL BEARING
15	70430183	SOPORTE EJE ESPADA SUPPORT AXE BROCHE SPIT AXLE SUPPORT
16	70450079	CORONA DENTADA COROUNNE DENTEE SERRATED CROWN
17	70430133	EJE 1ª REDUCCION AXE PREMIERE REDUCTION AXLE FIRST REDUCTION
18	70430143	SOPORTE REDUCCION IZQUIERDO SUPPORT GAUCHE REDUCTION LEFT REDUCTION SUPPORT
19	70490229	SOPORTE 1.ª y 2.ª REDUCCION SUPPORT ROULEMENT 1e et 2e REDUCTION 1st and 2nd REDUCTION BEARINGS SUPPORT
20	7049Z009	SUPLEMENTO REFUERZO 1.ª REDUCCION SUPPLEMENT RENFORT 1e REDUCTION ADDITIONAL REINFORCEMENT 1st REDUCTION
21	70250319	POLEA PEQUEÑA POULIE PETITE SMALL PULLEY

EURAST

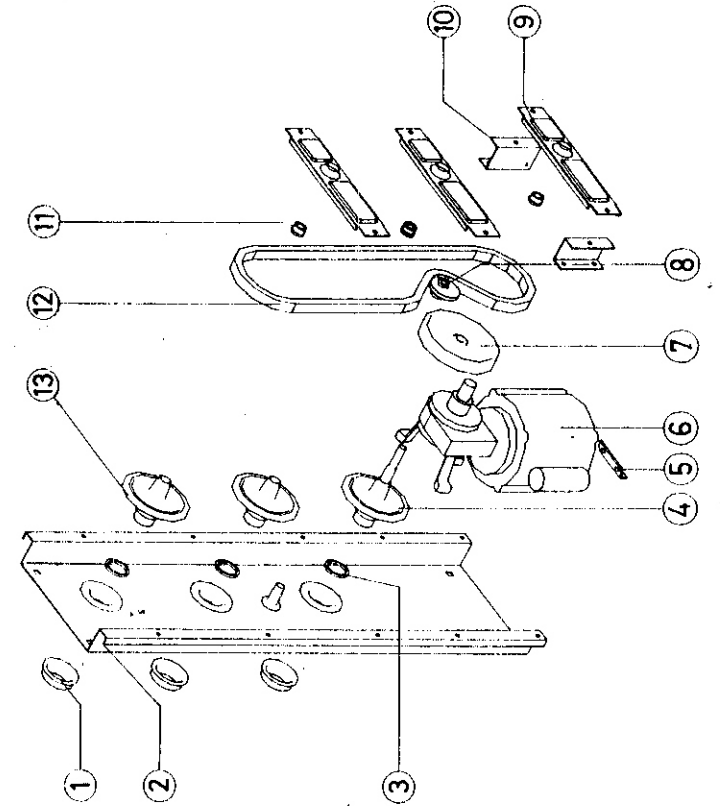
POSICION POSITION POSITION	CODIGO CODE CODE	DENOMINACION / MODELO DENOMINATION / MODELE NAME / MODEL
22	70490239	CORREA TRAPEZOIDAL COURROIE TRAPEZOIDALE TRAPEZOID BELT
23	7047M009	POLEA GRANDE POULIE GRANDE BIG PULLEY
17-23	704M0029	EJE 1.ª REDUCCION Y POLEA GRANDE AXE 1.ª REDUCTION ET POULIE GRANDE AXLE 1.ª REDUCTION AND BIG PULLEY
5-24	704M0039	EJE 2.ª REDUCCION Y PIÑON HELICOIDAL AXE 2.ª REDUCTION ET PIGNON HELICOIDAL AXLE 2.ª REDUCTION AND HELICOIDAL PINION
25	70230213	SEPARADOR SOPORTES SEPARATEUR SEPARATOR
26	C6160049	CADENA ASADOR (especificar modelo) COURRIE ROTISSOIRE (précise le modèle) ROASTING CHAIN (Specify model)
27	70490179	TENSOR CADENA TENDEUR COURROIE CHAIN TENSOR
28	7043T004	GUIA TRANSMISION 210 GUIDE TRANSMISSION 210 TRANSMISSION GUIDE 210
28	7063T004	GUIA TRANSMISION 315 GUIDE TRANSMISSION 315 TRANSMISSION GUIDE 315
28	7083T004	GUIA TRANSMISION 420 GUIDE TRANSMISSION 420 TRANSMISSION GUIDE 420
28	7123T004	GUIA TRANSMISION 630 - 1260 GUIDE TRANSMISSION 630 - 1260 TRANSMISSION GUIDE 630 - 1260

EURAST

POSICION POSITION POSITION	CODIGO CODE CODE	DENOMINACION / MODELO DENOMINATION / MODELE NAME / MODEL
28	7163T004	GUIA TRANSMISION 840 - 1680 GUIDE TRANSMISSION 840 - 1680 TRANSMISSION GUIDE 840 - 1680
24	7046M019	PIÑON HELICOIDAL PIGNON HELICOIDAL HELICOIDAL PINION
	704M0019	TRANSMISION COMPLETA 210 TRANSMISSION COMPLETE 210 COMPLETE TRANSMISSION 210
	706M0019	TRANSMISION COMPLETA 315 TRANSMISSION COMPLETE 315 COMPLETE TRANSMISSION 315
	708M0019	TRANSMISION COMPLETA 420 TRANSMISSION COMPLETE 420 COMPLETE TRANSMISSION 420
	712M0019	TRANSMISION COMPLETA 630 TRANSMISSION COMPLETE 630 COMPLETE TRANSMISSION 630
	716M0019	TRANSMISION COMPLETA 840 TRANSMISSION COMPLETE 840 COMPLETE TRANSMISSION 840

EURAST	SISTEMA MOTRIZ SYSTEME MOTRICE MOVING SYSTEM	SERIE SERIES	2000
---------------	--	-----------------	------

MOD. 315 - 420 - 630 - 840 - 1260 - 1680

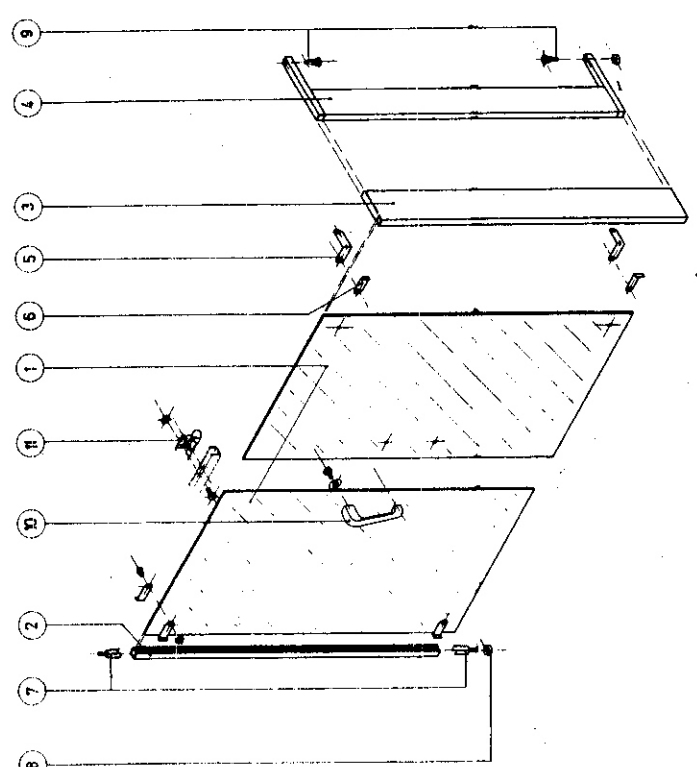
EJEMPLO 315
EXEMPLE 315
EXAMPLE 315

EURAST

POSICION POSITION POSITION	CODIGO CODE CODE	DENOMINACION / MODELO DENOMINATION / MODELE NAME / MODEL
1	70430102	TUERCA PORTA COJINETE ECROU PORTE-COUSSINET BEARING NUT
2	7043T004	GUIA TRANSMISION 210 GUIDE TRANSMISSION 210 TRANSMISSION GUIDE 210
2	7063T004	GUIA TRANSMISION 315 GUIDE TRANSMISSION 315 TRANSMISSION GUIDE 315
2	7083T004	GUIA TRANSMISION 420 GUIDE TRANSMISSION 420 TRANSMISSION GUIDE 420
2	7123T004	GUIA TRANSMISION 630 GUIDE TRANSMISSION 630 TRANSMISSION GUIDE 630
2	7163T004	GUIA TRANSMISION 840 GUIDE TRANSMISSION 840 TRANSMISSION GUIDE 840
3	C6060139	BOLAS BOULES LATCH BALLS
4	7049RE09	CONJUNTO PIÑON PRIMERA ESPADA ENSEMBLE PIGNON PREMIE BROCHE FIRST SPIT PINION UNIT
5	70430404	FIJACION MOTOR GUIA TRANSMISION FIXATION MOTEUR GUIDE TRANSMISSION MOTOR TRANSMISSION GUIDE ANCHORAGE
6	70420399	MOTOR MOTEUR MOTOR
7	7046M019	PIÑON HELICOIDAL PIGNON HELICOIDAL HELICAL PINION

EURAST

POSICION POSITION POSITION	CODIGO CODE CODE	DENOMINACION / MODELO DENOMINATION / MODELE NAME / MODEL
8	70490179	TENSOR CADENA TENDEUR CHAINE CHAIN TENSOR
9	70430183	SOPORTE EJE ESPADA SUPPORT AXE BROCHE SPIT AXLE SUPPORT
10	70430414	FIJACION SOPORTE EJE ESPADA FIXATION SUPPORT AXE BROCHE SPIT AXLE SUPPORT ANCHORAGE
11	70640269	COJINETE POROSOIL COUSSINET POROSOIL POROSOIL BEARING
12	C6160069	CADENA ASADOR (especificar modelo) CHAINE RÔTISSOIRE (préciser le modèle) ROASTER CHAIN(specify model)
13	7049X009	PIÑON 2.ª ESPADA PIGNON 2.ª BROCHE 2nd SPIT PINION
	C6060139	TRANSMISION COMPLETA 210 TRANSMISSION COMPLETE 210 COMPLETE TRANSMISSION 210
	7049RE09	TRANSMISION COMPLETA 315 TRANSMISSION COMPLETE 315 COMPLETE TRANSMISSION 315
	70430404	TRANSMISION COMPLETA 420 TRANSMISSION COMPLETE 420 COMPLETE TRANSMISSION 420
	70420399	TRANSMISION COMPLETA 630 TRANSMISSION COMPLETE 630 COMPLETE TRANSMISSION 630
	7046M019	TRANSMISION COMPLETA 840 TRANSMISSION COMPLETE 840 COMPLETE TRANSMISSION 840

<p>CRISTALES VITRES GLASSES</p>	<p>SERIE SERIES</p> <p>2.000</p>	<p>MOD. 105 - 210 - 315 - 420 - 630 - 840 - 1260 - 1680</p>
		

POSICION POSITION POSITION	CÓDIGO CODE CODE	DENOMINACION / MODELO DENOMINATION / MODELE NAME / MODEL
1	70290469	CRISTAL ASADOR 105 VITRE ROTISSOIRE 105 BROILER GLASS 105
1	70490209	CRISTAL ASADOR 210 VITRE ROTISSOIRE 210 BROILER GLASS 210
1	70690099	CRISTAL ASADOR 315 VITRE ROTISSOIRE 315 BROILER GLASS 315
1	70890099	CRISTAL ASADOR 420 VITRE ROTISSOIRE 420 BROILER GLASS 420
1	71290099	CRISTAL ASADOR 630 - 1260 VITRE ROTISSOIRE 630 - 1260 BROILER GLASS 630 - 1260
1	71690099	CRISTAL ASADOR 840 - 1680 VITRE ROTISSOIRE 840 - 1680 BROILER GLASS 840 - 1680
2	70240169	JUNQUILLO CRISTAL 105 BAGUETTE VITRE 105 105 GLASS ROD
2	70440099	JUNQUILLO CRISTAL 210 BAGUETTE VITRE 210 210 GLASS ROD
2	70640079	JUNQUILLO CRISTAL 315 BAGUETTE VITRE 315 315 GLASS ROD
2	70840079	JUNQUILLO CRISTAL 420 BAGUETTE VITRE 420 420 GLASS ROD
2	71240079	JUNQUILLO CRISTAL 630 BAGUETTE VITRE 630 630 GLASS ROD

EURAST

POSICION POSITION POSITION	CODIGO CODE CODE	DENOMINACION / MODELO DENOMINATION / MODELE NAME / MODEL
2	71640079	JUNQUILLO CRISTAL 840 BAGUETTE VITRE 840 840 GLASS ROD
3	70240019	SOPORTE EXTERIOR CRISTAL DERECHO 105 SUPPORT EXTERIEUR VITRE DROITE 105 OUTSIDE RIGHT 105 GLASS SUPPORT
3	70440009	SOPORTE EXTERIOR CRISTAL DERECHO 210 SUPPORT EXTERIEUR VITRE DROITE 210 OUTSIDE RIGHT 210 GLASS SUPPORT
3	70640029	SOPORTE EXTERIOR CRISTAL DERECHO 315 SUPPORT EXTERIEUR VITRE DROITE 315 OUTSIDE RIGHT 315 GLASS SUPPORT
3	70840009	SOPORTE EXTERIOR CRISTAL DERECHO 420 SUPPORT EXTERIEUR VITRE DROITE 420 OUTSIDE RIGHT 420 GLASS SUPPORT
3	71240009	SOPORTE EXTERIOR CRISTAL DERECHO 630 - 1260 SUPPORT EXTERIEUR VITRE DROITE 630 - 1260 OUTSIDE RIGHT 630 - 1260 GLASS SUPPORT
3	71640009	SOPORTE EXTERIOR CRISTAL DERECHO 840 - 1680 SUPPORT EXTERIEUR VITRE DROITE 840 - 1680 OUTSIDE RIGHT 840 - 1680 GLASS SUPPORT
4	7023NOO4	SOPORTE INTERIOR CRISTAL 105 SUPPORT INTERIEUR VITRE 105 INSIDE 105 GLASS SUPPORT
4	7043NOO4	SOPORTE INTERIOR CRISTAL 210 SUPPORT INTERIEUR VITRE 210 INSIDE 210 GLASS SUPPORT
4	7063NOO4	SOPORTE INTERIOR CRISTAL 315 SUPPORT INTERIEUR VITRE 315 INSIDE 315 GLASS SUPPORT
4	7083NOO4	SOPORTE INTERIOR CRISTAL 420 SUPPORT INTERIEUR VITRE 420 INSIDE 420 GLASS SUPPORT

EURAST

POSICION POSITION POSITION	CODIGO CODE CODE	DENOMINACION / MODELO DENOMINATION / MODELE NAME / MODEL
4	7123NOO4	SOPORTE INTERIOR CRISTAL 630 - 1260 SUPPORT INTERIEUR VITRE 630 - 1260 INSIDE 630 - 1260 GLASS SUPPORT
4	7163NOO4	SOPORTE INTERIOR CRISTAL 840 - 1260 SUPPORT INTERIEUR VITRE 840-1680 INSIDE 840 - 1260 GLASS SUPPORT
5	70240359	ESCUADRA CRISTALES EQUERRE VITRES ROTISSOIRE ANGLE STEEL FOR BROILER GLASSES
6	70240179	ANGULO SOPORTE CRISTAL ANGLE SUPPORT VITRE GLASS SUPPORT ANGLE
7	7023H003	PIVOTE CRISTAL IZQUIERDO PIVOT VITRE EQUERRE LEFT GLASS PIVOT
8	70230363	DOLLA SEPARACION CRISTAL RONDELLE SEPARATEUR VITRE GLASS SEPARATION SPRING
9	70230393	PIVOTE CRISTAL DERECHO PIVOT VITRE DROITE RIGHT GLASS PIVOT
10	62590279	TIRADOR CRISTALES POIGNEE VITRES GLASSES HANDLE
11	70260478	MUELLE FIJACION CRISTAL RESSORT FIXATION VITRE GLASS FIXING SPRING
C	702M0159	JUEGO CRISTALES 105 COMPLETO JEU DE VITRES 105 COMPLET COMPLETE 105 GLASS SET
C	704M0079	JUEGO CRISTALES 210 COMPLETO JEU DE VITRES 210 COMPLET COMPLETE 210 GLASS SET

EURAST

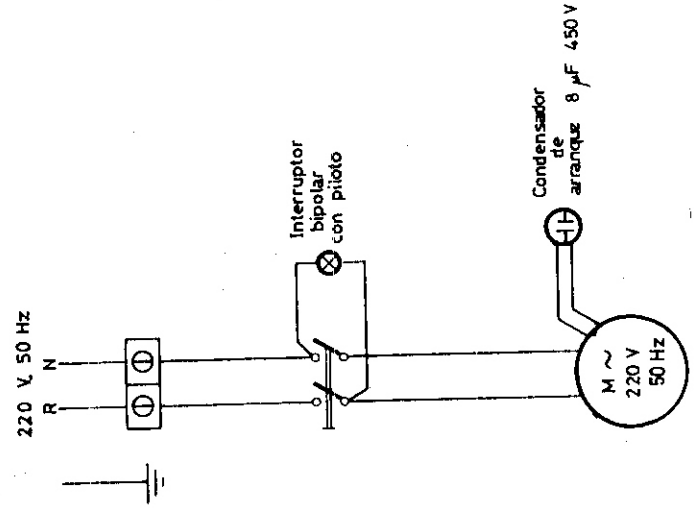
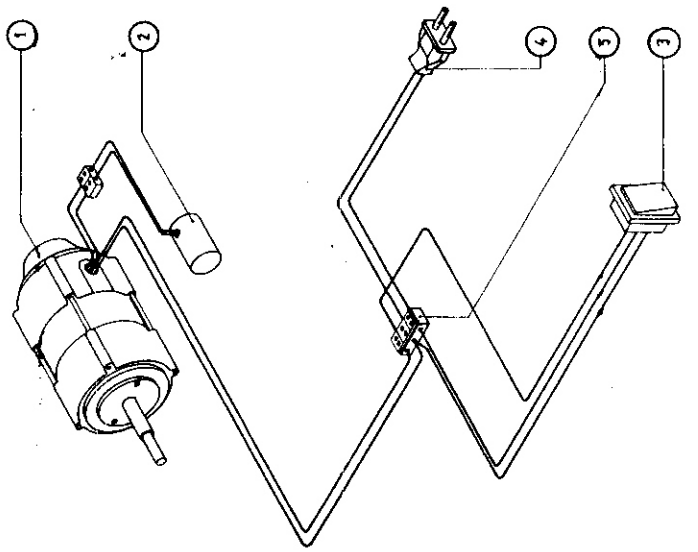
POSICION POSITION POSITION	CODIGO CODE CODE	DENOMINACION / MODELO DENOMINATION / MODELE NAME / MODEL
C	706M0039	JUEGO CRISTALES 315 COMPLETO JEU DE VITRES 315 COMPLET COMPLETE 315 GLASS SET
C	708M0039	JUEGO CRISTALES 420 COMPLETO JEU DE VITRES 420 COMPLET COMPLETE 420 GLASS SET
C	712M0039	JUEGO CRISTALES 630 - 1260 COMPLETO JEU DE VITRES 630 COMPLET COMPLETE 630 - 1260 GLASS SET
C	716M0039	JUEGO DE CRISTALES 840 - 1680 COMPLETO JEU DE VITRES 840 - 1680 COMPLET COMPLETE 840 - 1680 GLASS SET

EURAST

EQUIPO ELECTRICO Y ESQUEMA.
EQUIPEMENT ELECTRIQUE ET SCHEMA.
ELECTRICAL TEAM AND SCHEME.

SERIE 2.000-IBERO
SERIES

MOD. 210 - 315 - 420 - 630 - 840 - 1260 - 1680 - 10-P - 20-P - 30-P - 40-P



EURAST

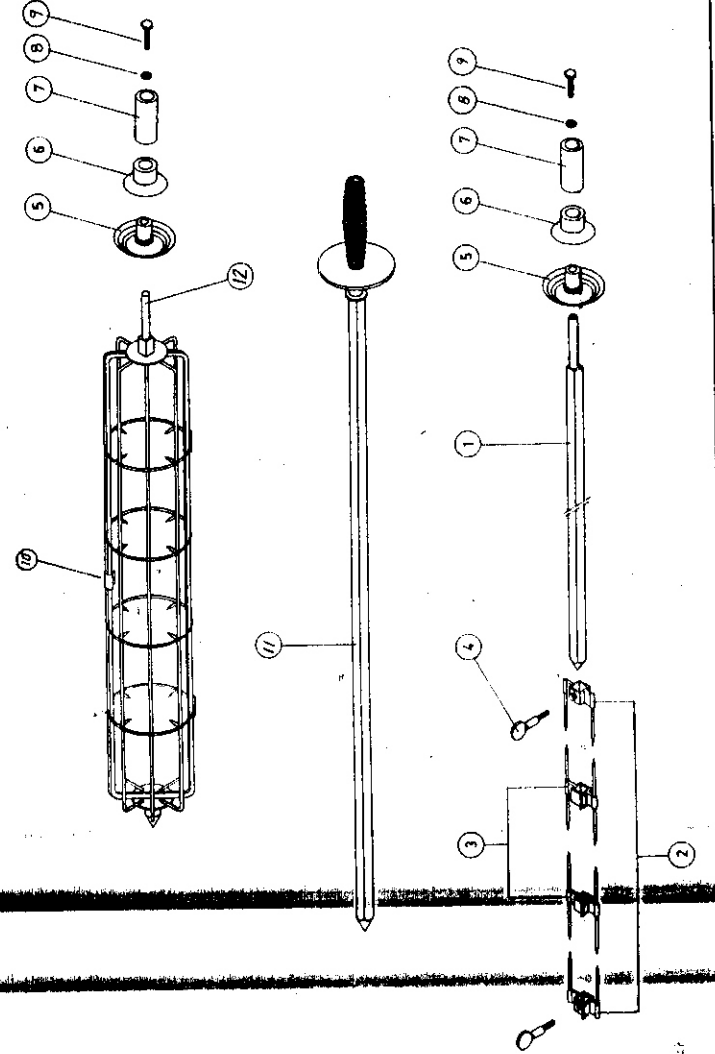
POSICION POSITION POSITION	CODIGO CODE CODE	DENOMINACION / MODELO DENOMINATION / MODELE NAME / MODEL
1	70420319	MOTOR MOTEUR MOTOR
2.	C5420159	CONDENSADOR CONDENSATEUR CONDENSER
3	C5120039	INTERRUPTOR INTERRUPTEUR SWITCH
4	C5220039	ENCHUFE Y CABLE PRISE ET CABLE PLUG AND CABLE
5	C5520089	REGLETA ENTRADA CORRIENTE DOMINO ENTREE COURANT CURRENT INLET STRIP

SERIE
IBERO
2000
SERIES

ESPADAS Y PINCHOS
BROCHES ET BROCHETTES
SPITS AND SKEWERS

EURAST

MOD. 210 - 315 - 420 - 630 - 840 - 1260 - 1680 - 10-P - 20-P - 30-P - 40-P



EURAST

POSICION POSITION POSITION	CODIGO CODE CODE	DENOMINACION / MODELO DENOMINATION / MODELE NAME / MODEL
1	70230302	CUERPO ESPADA CORPS DE BROCHE TONG BODY
2	7024E001	PINCHO SENCILLO BROCHETTE SIMPLE SINGLE SPIKE
3	7024D001	PINCHO DOBLE BROCHETTE DOUBLE DOUBLE SPIKE
4	70330003	TORNILLO DE PINCHO VIS DE BROCHETTE SPIKE SCREW
5	70250121	DEFENSA DE ESPADA PROTEGE-BROCHE SPIT PROTECTOR
6	7029C009	COJINETE ROULEMENT BEARING
7	70290489	MANGO POIGNEE HANDLE
8	C1260243	ARANDELA RONDELLE WASHER
9	C1064253	TORNILLO FIJAR MANGO VIS FIXATION MANCHE HANDLE FIXING SCREW
10	70230598	CIERRE JAULA FERMETURE CAGE CAGE FASTENER
11	7723E004	ESPADA CON MANGO RUSTICO BROCHE AVEC LA POIGNEE RUSTIQUE TONG WITH RUSTIC HANDLE

EURAST

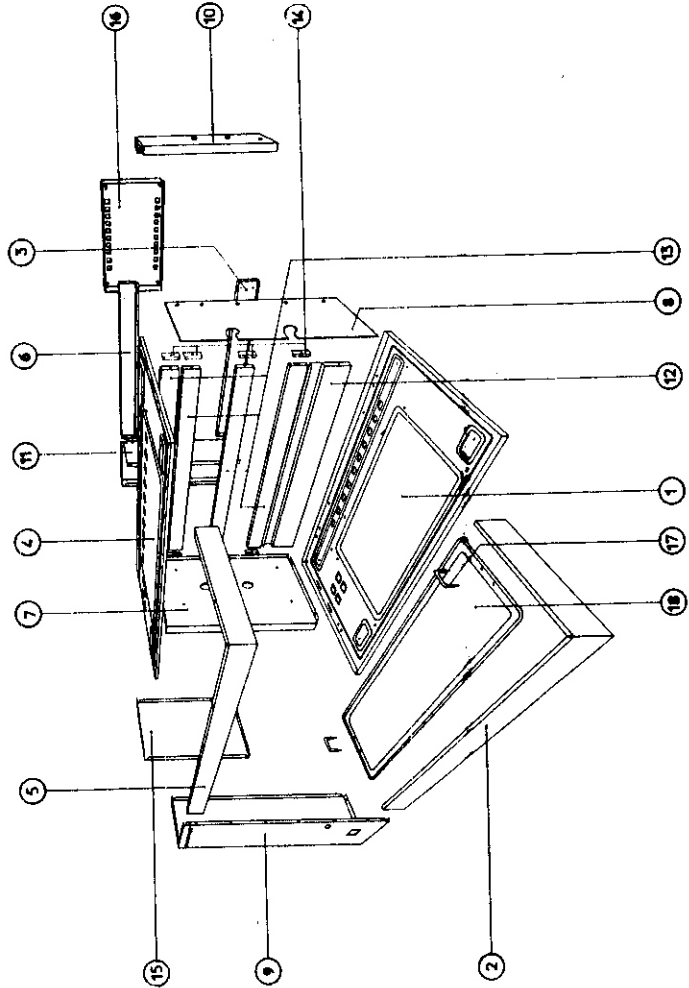
POSICION POSITION POSITION	CODIGO CODE CODE	DENOMINACION / MODELO DENOMINATION / MODELE NAME / MODEL
12	7024X001	ESPADA DE JAULA ϕ 120 BROCHE DE FILET ϕ 120 NET-WORK TONG ϕ 120
12	7024Y001	ESPADA DE JAULA ϕ 180 BROCHE DE FILET ϕ 180 NET-WORK TONG ϕ 180
12-5-6 7-8-9-10	702M0099	ESPADA DE JAULA COMPLETA ϕ 120 BROCHE DE FILET COMPLETE ϕ 120 NET-WORK TONG ϕ 120
12-5-6 7-8-9-10	702M0109	ESPADA DE JAULA COMPLETA ϕ 180 BROCHE DE FILET COMPLETE ϕ 180 NET-WORK TONG ϕ 180
1-2-3-4 5-6-7-8-9	702M0039	ESPADA COMPLETA CON PINCHOS BROCHE AVEC BROCHETTES TONG WITH RUSTIC HANDLE
11-2-3-4	772M0049	ESPADA COMPLETA CON PINCHOS IBERO BROCHE AVEC BROCHETTES IBERO TONG WITH SPIKES IBERO
1-5-6 7-8-9	702M0029	ESPADA COMPLETA SIN PINCHOS BROCHE COMPLETE SANS BROCHETTES COMPLETE SPIT WITHOUT SKEWERS

SERIE 2.000
SERIES

ARMAZON
ARMATURE
FRAME



MOD. 105 - 210 - 315 - 420 - 630 - 840 - 1260 - 1840



EJEMPLO 210
EXEMPLE 210
EXAMPLE 210

POSICION POSITION POSITION	CODIGO CODE CODE	DENOMINACION / MODELO DENOMINATION / MODELE NAME / MODEL
1	70230050	BASE BASE BASE
2	70240429	CORNISA DELANTERA INFERIOR CORNICHE AVANT INFERIEURE LOWER FRONT CORNICE
3	70230419	CORNISA POSTERIOR BAJA CORNICHE ARRIERE INFERIEURE LOWER BACK CORNICE
4	70230060	TECHO PLAFOND CEILING
5	70240199	CORNISA DELANTERA SUPERIOR CORNICHE AVANT SUPERIEURE TOP FRONT CORNICE
6	70230029	CORNISA POSTERIOR ALTA CORNICHE ARRIERE SUPERIEURE TOP BACK CORNICE
7	70240049	COLUMNA ANCHA 105 COLONNE INOXIDABLE LARGE 105 LARGE STAINLESS STEEL COLUMN 105
7	70440049	COLUMNA ANCHA 210 COLONNE INOXIDABLE LARGE 210 LARGE STAINLES STEEL COLUMN 210
7	70640039	COLUMNA ANCHA 315 COLONNE INOXIDABLE LARGE 315 LARGE STAINLESS STEEL COLUMN 315
7	70840029	COLUMNA ANCHA 420 COLONNE INOXIDABLE LARGE 420 LARGE STAINLESS STEEL COLUMN 420
7	71240029	COLUMNA ANCHA 630 COLONNE INOXIDABLE LARGE 630 LARGE STAINLESS STEEL COLUMN 630

POSICION POSITION POSITION	CODIGO CODE CODE	DENOMINACION / MODELO DENOMINATION / MODELE NAME / MODEL
7	71640069	COLUMNA ANCHA 840 COLONNE INOXIDABLE LARGE 840 LARGE STAINLESS STEEL COLUMN 840
8	70250033	COLUMNA DE ALUMINIO 105 COLONNE EN ALUMINIUM 105 ALUMINIUM COLUMN 105
8	70450033	COLUMNA DE ALUMINIO 210 COLONNE EN ALUMINIUM 210 ALUMINIUM COLUMN 210
8	70650003	COLUMNA DE ALUMINIO 315 COLONNE EN ALUMINIUM 315 ALUMINIUM COLUMN 315
8	70850013	COLUMNA DE ALUMINIO 420 COLONNE EN ALUMINIUM 420 ALUMINIUM COLUMN 420
8	71250013	COLUMNA DE ALUMINIO 630 COLONNE EN ALUMINIUM 630 ALUMINIUM COLUMN 630
8	71650023	COLUMNA DE ALUMINIO 840 COLONNE EN ALUMINIUM 840 ALUMINIUM COLUMN 840
9	70240159	COLUMNA DELANTERA 105 COLONNE AVANT 105 FRONT COLUMN 105
9	70440089	COLUMNA DELANTERA 210 COLONNE AVANT 210 FRONT COLUMN 210
9	70640069	COLUMNA DELANTERA 315 COLONNE AVANT 315 FRONT COLUMN 315
9	70840069	COLUMNA DELANTERA 420 COLONNE AVANT 420 FRONT COLUMN 420

POSICION POSITION POSITION	CODIGO CODE CODE	DENOMINACION / MODELO DENOMINATION / MODELE NAME / MODEL
9	71240069	COLUMNA DELANTERA 630 COLONNE AVANT 630 FRONT COLUMN 630
9	71640069	COLUMNA DELANTERA 840 COLONNE AVANT 840 FRONT COLUMN 840
10	70230344	FRONTAL MANDOS 105 COMMANDEMENT 105 CONTROL SET 105
10	70430014	FRONTAL MANDOS 210 COMMANDEMENT 210 CONTROL SET 210
10	70430014	FRONTAL MANDOS 315 COMMANDEMENT 315 CONTROL SET 315
10	70830084	FRONTAL MANDOS 420 COMMANDEMENT 420 CONTROL SET 420
10	71230084	FRONTAL MANDOS 630 COMMANDEMENT 630 CONTROL SET 630
10	71630084	FRONTAL MANDOS 840 COMMANDEMENT 840 CONTROL SET 840
11	70230094	COLUMNA POSTERIOR 105 COLONNE DERRIERE 105 BACK COLUMN 105
11	70430024	COLUMNA POSTERIOR 210 COLONNE DERRIERE 210 BACK COLUMN 210
11	70630014	COLUMNA POSTERIOR 315 COLONNE DERRIERE 315 BACK COLUMN 315

POSICION POSITION POSITION	CODIGO CODE CODE	DENOMINACION / MODELO DENOMINATION / MODELE NAME / MODEL
11	70830034	COLUMNA POSTERIOR 420 COLONNE DERRIERE 420 BACK COLUMN 420
11	71230034	COLUMNA POSTERIOR 630 COLONNE DERRIERE 630 BACK COLUMN 630
11	71630014	COLUMNA POSTERIOR 840 COLONNE DERRIERE 840 BACK COLUMN 840
12	70230434	CHAPA ENTREQUEMADOR INFERIOR PLAQUE ENTREBRULEUR INFERIEURE LOWER METAL PLATE BETWEEN BURNERS
13	70230070	CHAPA ENTREQUEMADOR PLAQUE ENTREBRULEUR PLATE BETWEEN BURNERS
14	70240409	EMBELLECEDOR CHAPA ENTREQUEMADOR ENJOLIVEUR PLAQUE ENTREBRULEUR EMBELLISHMENT PLATE BETWEEN BURNERS
15	70230104	TAPA LATERAL 105 COUVERCLE LATERALE 105 LATERAL LID 105
15	70430054	TAPA LATERAL 210 COUVERCLE LATERALE 210 LATERAL LID 210
15	70630044	TAPA LATERAL 315 COUVERCLE LATERALE 315 LATERAL LID 315
15	70830044	TAPA LATERAL 420 COUVERCLE LATERALE 420 LATERAL LID 420
15	71230044	TAPA LATERAL 630 COUVERCLE LATERALE 630 LATERAL LID 630

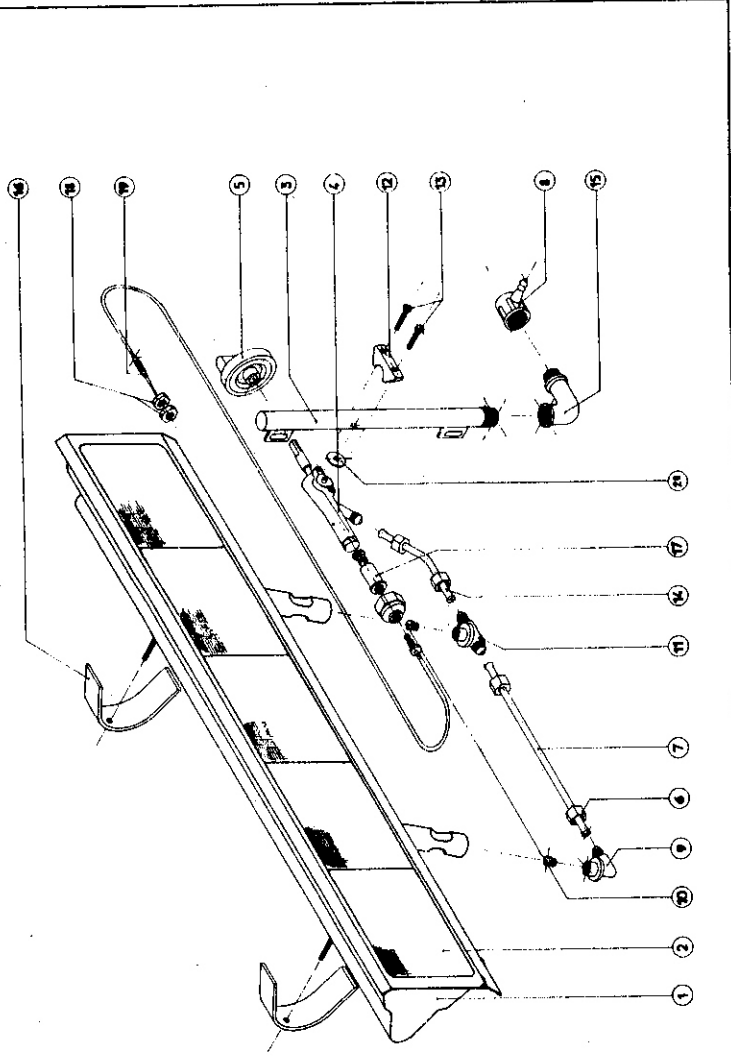
POSICION POSITION POSITION	CODIGO CODE CODE	DENOMINACION / MODELO DENOMINATION / MODELE NAME / MODEL
15	71630044	TAPA LATERAL 840 COUVERCLE LATERALE 840 LATERAL LID 840
16	70230119	TAPA POSTERIOR 105 COUVERCLE ARRIERE 105 BACK LID 105
16	70430069	TAPA POSTERIOR 210 COUVERCLE ARRIERE 210 BACK LID 210
16	70630059	TAPA POSTERIOR 315 COUVERCLE ARRIERE 315 BACK LID 315
16	70830059 70230119	TAPA POSTERIOR 420 COUVERCLE ARRIERE 420 BACK LID 420
16	71230059	TAPA POSTERIOR 630 COUVERCLE ARRIERE 630 BACK LID 420
16	71630059	TAPA POSTERIOR 840 COUVERCLE ARRIERE 840 BACK LID 840
17	70230322	ASA BANDEJA POIGNEE DE PLATEAU TRAY HANDLE
18	70240189	BANDEJA PLATEAU TRAY

SERIE 2000 IBERO
SERIES

SISTEMA CALEFACTOR GAS
SYSTEME CHAUFFEUR GAZ
GAS HEATER SYSTEM



MOD. 105 - 210 - 315 - 420 - 630 - 840 - 1260 - 1680 - 5-P - 10-P - 20-P - 30-P - 40-P



EJEMPLO 105 - 10-P
EXEMPLE 105 - 10-P
EXAMPLE 105 - 10-P

POSICION POSITION POSITION	CODIGO CODE CODE	DENOMINACION / MODELO DENOMINATION / MODELE NAME / MODEL
1	7023Q000	QUEMADOR SIN PLAQUETAS BRULEUR SANS PLAQUETTE BURNER WITHOUT PLATES
2	C5820069	PLAQUETA PLAQUETTE CERAMIC PLATE
3	7023Y003	BATERIA 105 BATTERIE 105 BATTERY 105
3	7043Y003	BATERIA 210 BATTERIE 210 BATTERY 210
3	7063Y003	BATERIA 315 BATTERIE 315 BATTERY 315
3	70834003	BATERIA 420 BATTERIE 420 BATTERY 420
3	71234003	BATERIA 630 - 1260 BATTERIE 630 - 1260 BATTERY 630 - 1260
3	71634003	BATERIA 840 - 1680 BATTERIE 840 - 1680 BATTERY 840 - 1680
4	70210249	GRIFO-VALVULA ROBINET-VALVE VALVE TAP
5	14090819	MANDO COMMANDE GEAR
6	70230233	TUERCA M-16 ECROU M-16 NUT M-16

