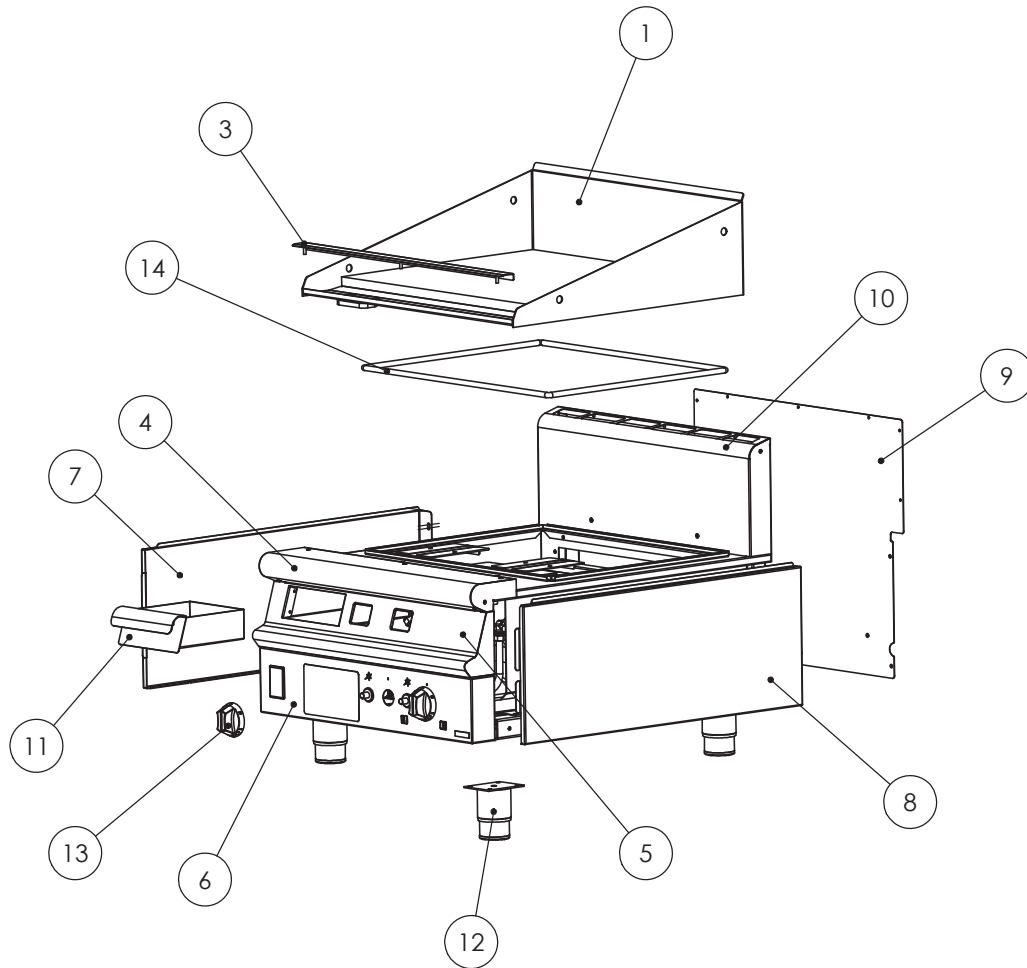


DOMINATOR PLUS

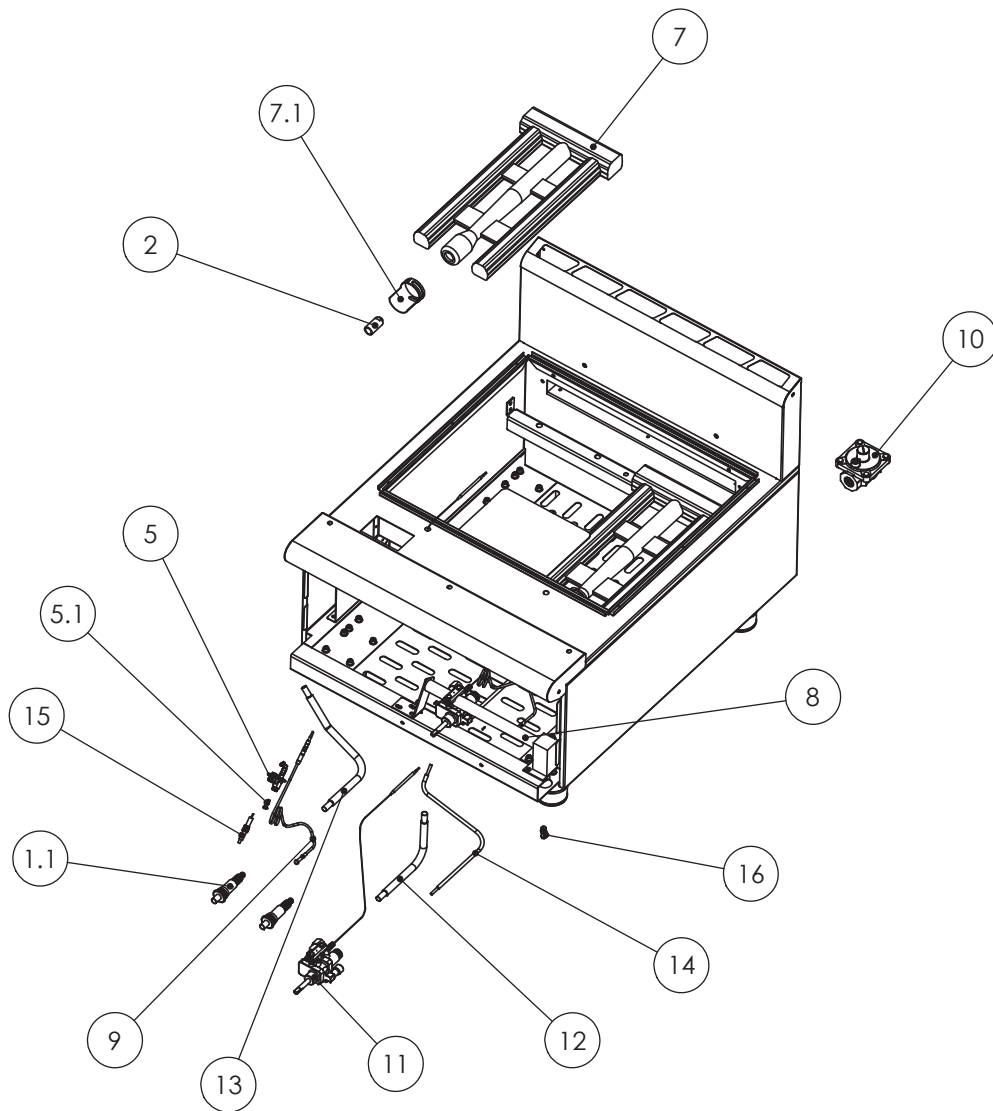


ITEM	DESCRIPTION	SPARES No
1	PLATE/ SPASHGUARD ASSY	535150002
2	HALF RIB PLATE/ SPLASHGUARD ASSY(NOT SHOWN)	535150003
3	CAPPING CHANNEL	535150004
4	HOB ASSEMBLY	535150005
5	FRONT FACIA ASSEMBLY	535150006
6	LOWER CONTROL PANEL	535150007
7	OUTER SIDE LH	535150008
8	OUTER SIDE RH	535150009
9	OUTER BACK	535150010
10	OUTER FLUE	535150011
11	FAT JUG ASSEMBLY	535150012
12	ST/ ST ADJUSTABLE LEG	535150013
13	CONTROL KNOB	535150014
14	ROPE SEAL	535800002



Issue	Alteration	Date	Product	Document Reference
A	Initial Issue	09/08/11	G3641	AD48837

DOMINATOR PLUS



ITEM	DESCRIPTION	SPARES No
1	SPARK IGNITER KIT (NOT SHOWN)	535150015
1.1	SPARK IGNITER	535010000
2	BURNER INJECTOR (NAT GAS)	535101042
3	BURNER INJECTOR (PROPANE) (NOT SHOWN)	531560081
4	BURNER INJECTOR HOLDER (PROPANE) (NOT SHOWN)	535820020
5	PILOT BURNER ASSY (NAT GAS)	535100961
5.1	PILOT INJECTOR (NAT GAS)	535820023
6	PILOT BURNER ASSY (PROPANE) (NOT SHOWN)	535100962
6.1	PILOT INJECTOR (PROPANE) (NOT SHOWN)	535820024
7	BURNER ASSEMBLY	535820027
7.1	BURNER AERATION SHROUD	535820028
8	FLOATRAIL ASSEMBLY	535150016
9	THERMOCOUPLE	535820025
10	GAS GOVERNOR (NAT GAS ONLY)	535820026
11	THERMOSTAT VALVE	535150017
12	FLEXI PIPE KIT \varnothing 10 X 250	535010008
13	FLEXI PIPE KIT \varnothing 10 X 350	535010009
14	FLEXI PIPE KIT \varnothing 4 X 400	535010012
15	PILOT ELECTRODE	535100895
16	PRESSURE TEST NIPPLE	535820030



Issue	Alteration	Date	Product	Document Reference
A	Initial Issue	09/08/11	G3641	AD48838