

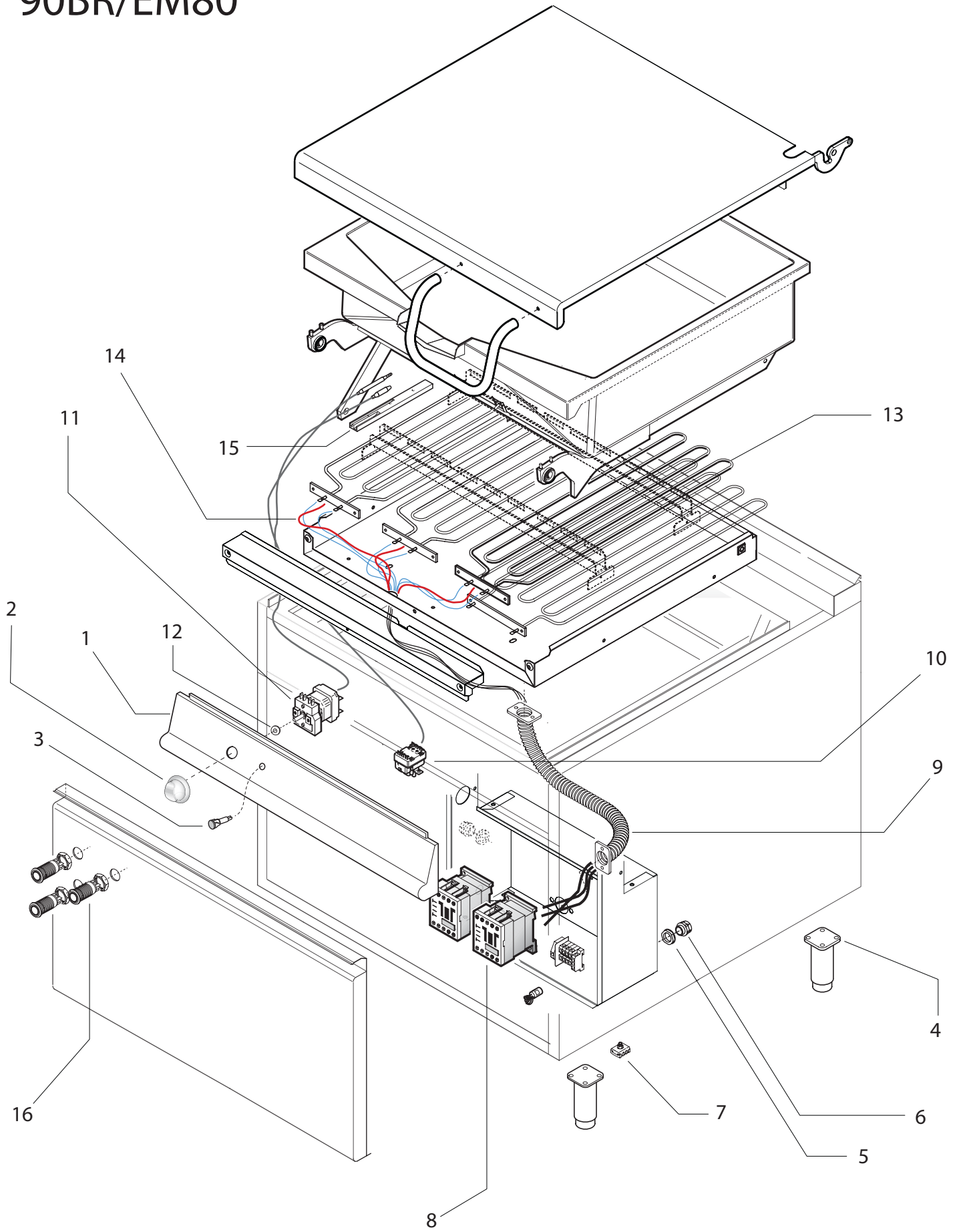


Thermische Geräte Serie 900
Elektro-Kippbratpfanne
Artikel-Nr. 147006 (90BR/EM80)

Explosionszeichnung / Ersatzteile

Bitte bei Ersatzteilbestellung immer Artikelnummer und Seriennummer mit angeben!

90BR/EM80



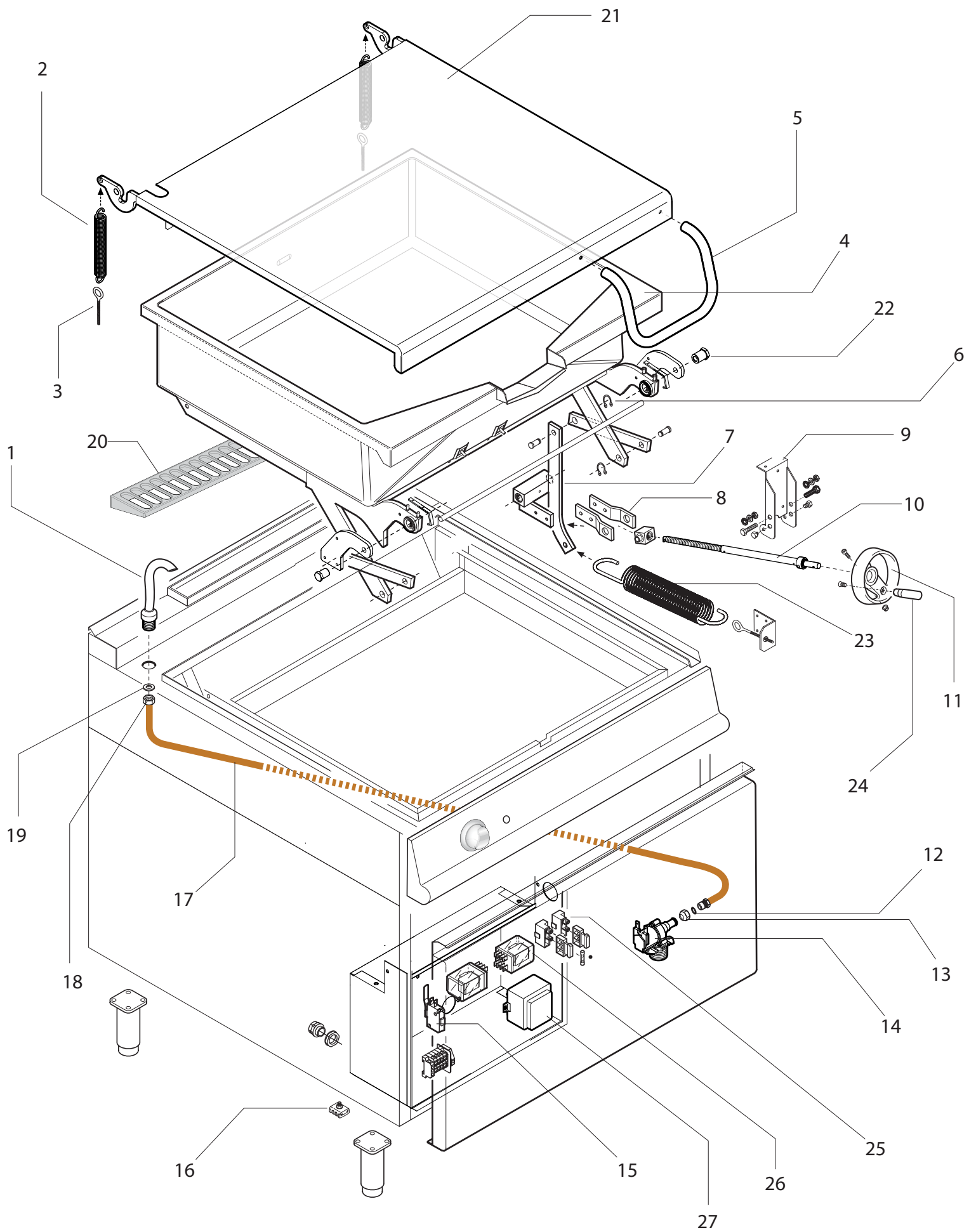
Series 900
Electric Tilting Bratt Pan 90BR/EM80

Table_A

POS.	CODE	PIECES	DESCRIPTION	DATA	C
1	CR0936630	1	CONTROL PANEL		C
2	CR0933820	1	KNOB		C
3	CR0587500	1	ORANGE LIGHT		C
4	MA6086113	4	FOOT ASSEMBLY		
5	MA1037114500	1	CABLE RETAINER		
6	MA1037112400	1	LOCK NUT		
7	MA1878400	1	TERMINAL BOARD		
8	MACM187400	2	SIEMENS SWITCH		
9	MACM199801	1	FLEXIBLE DUCT		
10	MA1878500	1	SAFETY THERMOSTATE		C
11	CR0581280	1	THERMOSTATE WITH SWITCH		C
12	CR0587650	1	OR FOR SWITCH		C
13	CR0939940	6	HEATER		C
13	CR0939941	9	HEATER (90BR/EM120)		C
13	CR0970050	1	CABLES		
15	CR0686831	1	BULBS SATTLE		
16	CR0937810	3	ANTIVANDAL BUTTON		

C >>> Recommended exchange

90BR/EM80



Series 900
Electric Tilting Bratt Pan 90BR/EM80

Table_A

POS.	CODE	PIECES	DESCRIPTION	DATA	C
1	CR0681381	1	FAUCET		
2	CR0589520	2	BALANCE SPRING		
3	CR0589730	2	EYELET		
4	CR0589771	1	INOX TANK		
4	CR0589041	1	STEEL TANK		
5	CR0682470	1	HANDLE		
6	CR0589720	2	SAFETY RING		C
7	CR0840651	2	LATERAL LIFT		
8	CR0589560	2	MAIN SCREW SUPPORT		
9	CR0682191	1	SCREW SUPPORT		
10	MA15206699	1	SCREW ASSEMBLY		
11	MA1475291	1	WHEEL		C
12	MA2867700	1	OR		
13	CR0682340	1	NUT		
14	CR0682320	1	ELECTRIV VALVE		C
15	MA1037111300	1	MICROSWITCH		C
16	MA1878400	1	TERMINAL BLOCK		
17	CR0682430	1	DUCT		
18	MACM066200	1	NUT		
19	MA14072299	1	OR		
20	CR0901240	1	EXHAUSTING GRID		
21	CR0681270	1	TOP		
22	CR0589710	1	PIVOT		
23	CR0589690	1	BALANCE SPRING		C
24	MA77122500	1	WHEEL HANDLE		
25	MA4672000	1	FUSE SEAT		
26	CR0687240	1	RELE		
27	CR0684780	1	TRANSFORMER		

C >>> Recommended exchange