

**TUTTAPIASTRA GAS E900XP  
GAS SOLID TOP E900XP**

PNC	Model	Ref	Pag.	Brand	Version	Notes
391018	E9STGH1000	a	2-4-5-6-7-8	ELX	GAS	800 MM
391019	E9STGH10G0	b	2-4-5-6-7-8	ELX	GAS	OVEN 800 MM
391020	E9STGH30G0	c	3-4-5-6-7-8	ELX	GAS	2 BURNERS+GAS OVEN 800MM
391021	E9STGL3010	d	2-4-5-6-7-8	ELX	GAS	WITH 2 BURNERS+OVEN +CUPB.1200
391264	E9STGH10GA	q	2-4-5-6-7-8	ELX	GAS	GAS SOLID TOP + GAS OVEN 800MM AUSTRALIA
391265	E9STGLT01A	o	2-4-5-6-7-8	ELX	GAS	WITH 2 BURNERS+OVEN +CUPB.1200 AUSTRALIA
392018	Z9STGH1000	e	2-4-5-6-7-8	ZAN	GAS	800 MM
392019	Z9STGH10G0	f	2-4-5-6-7-8	ZAN	GAS	OVEN 800 MM
392020	Z9STGH30G0	g	3-4-5-6-7-8	ZAN	GAS	2 BURNERS+GAS OVEN 800MM
392021	Z9STGL3010	h	2-4-5-6-7-8	ZAN	GAS	WITH 2 BURNERS+OVEN +CUPB.1200
392264	Z9STGH10GA	r	2-4-5-6-7-8	ZAN	GAS	GAS SOLID TOP + GAS OVEN 800MM AUSTRALIA
392265	Z9STGLT01A	p	2-4-5-6-7-8	ZAN	GAS	WITH 2 BURNERS+OVEN +CUPB.1200 AUSTRALIA
393018	A9STGH1000	i	2-4-5-6-7-8	OEM	GAS	800 MM
393019	A9STGH10G0	l	2-4-5-6-7-8	OEM	GAS	OVEN 800 MM
393021	A9STGL3010	n	2-4-5-6-7-8	OEM	GAS	2 BURNERS+OVEN +CUPB.1200
393264	A9STGH10GA	s	2-4-5-6-7-8	OEM	GAS	GAS SOLID TOP + GAS OVEN 800MM AUSTRALIA
393265	A9STGLT01A	t	2-4-5-6-7-8	OEM	GAS	GAS SOLID TOP+2 BURN+OVEN+CUPB.1200(AUS)

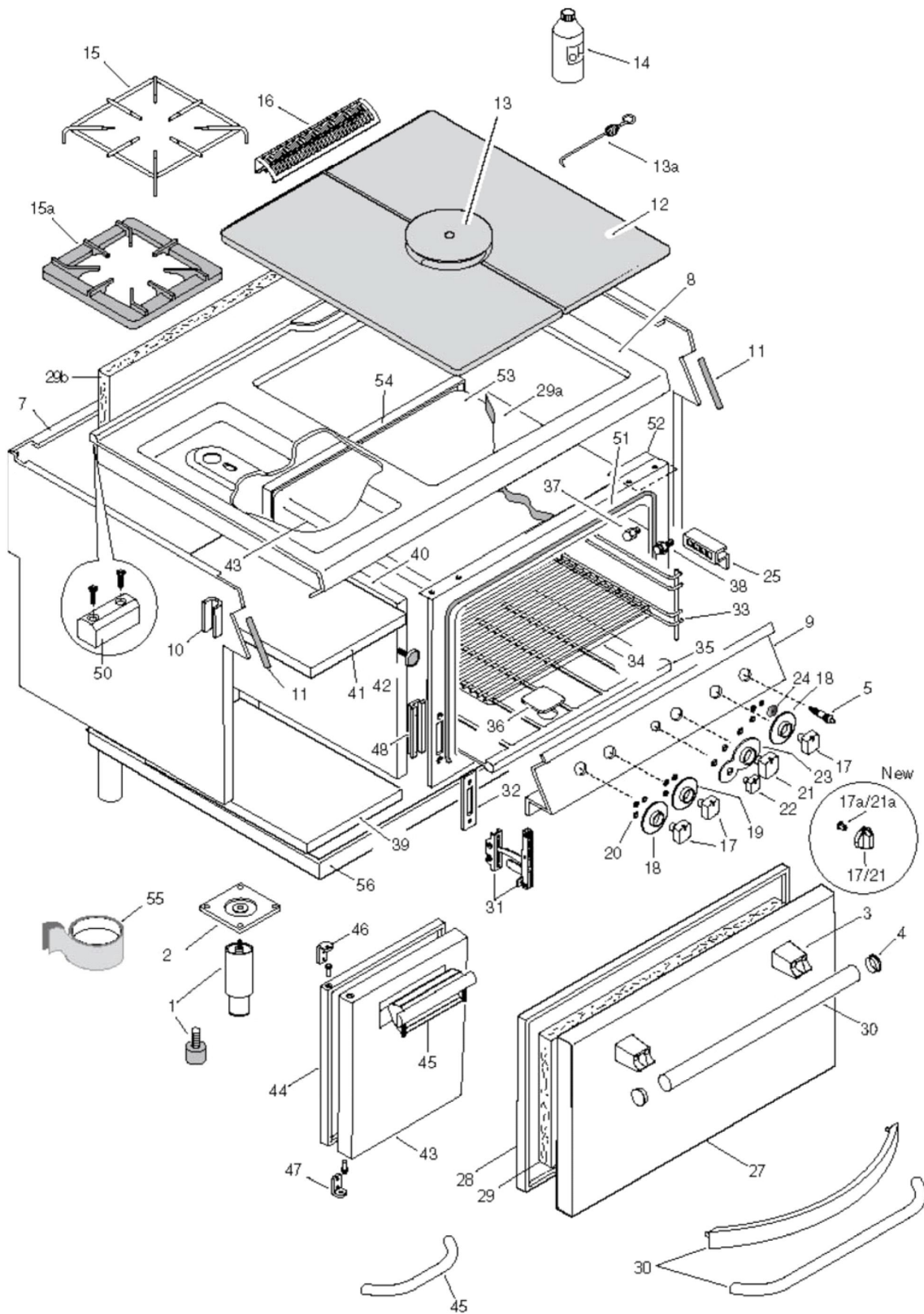
Pag	Index	Indice	Note
2	General componets	Componenti struttura	
3	General componets	Componenti struttura	
4	Gas componets	Componenti Gas	
5-10	Spare parts list	Lista ricambi	

Brand/Marchio: All  
Factory code: 9PDX

From sr. Nr/ Da Ser. Nr.: 016

Page: 1 Ed. 2018 07

Doc. Nr.: **059785GP00**



From sr. Nr/ Da Ser. Nr.: 016

Page: 2 Ed. 2018 07

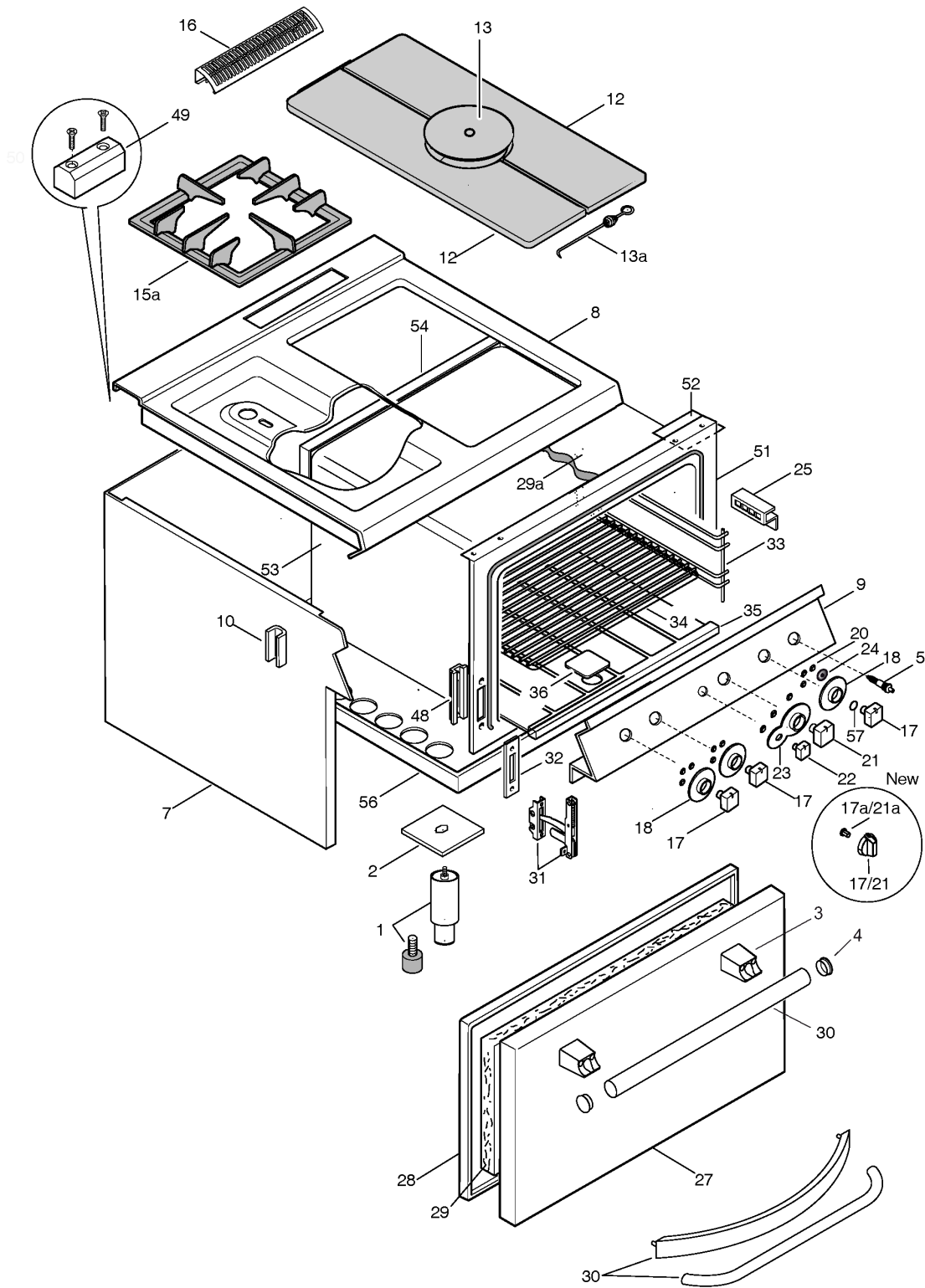
Doc. Nr.: **059785GP00**

Model	All									
Table	59785GP00		Page	2		General components				
Pos.	Spare Part	Alias Code	Repl. by	S	Info	Kit	Techn. Bulletin	Description	Notes	
0001	026806	315252601		S				FOOT WITH SCREW M6; Ø=18MM	TOP	
0001	0C0204	835856900		S				FOOT; Ø=50,5MM; PIN M10; AISI 304		
0002	000000	50589CD00								
0003	0C6891	530R01701						HANDLE SUPPORT	ELX	
0004	0C6823	530R01802	0C6901			+		PLUG	ELX	
0005	059251	835829600	0C9240				02005	PIEZOELECTRIC IGNITER		
0007	000000	85089DS01							ELX	
0007	000000	85089DV01							ZAN, OEM	
0007	000000	85089DZ02							ELX	
0007	000000	85089F501							ZAN, OEM	
0007	0C8984	85089F402			D			COVERING PLATE	ZAN, OEM	
0007	0CB411	85089F001			D			COVERING	ELX	
0008	0C7279	87089BT00						SHELF	ELX	
0008	0C7280	87089BU00						SHELF	ELX	
0008	0C7281	87089BV01						SHELF	ELX	
0008	0C7288	87089M300						TOP PLATE	ZAN, OEM	
0008	0C7289	87089M400						TOP PLATE	ZAN, OEM	
0008	0C7290	87089M501						TOP PLATE	ZAN, OEM	
0009	000000	800839100							OEM	
0009	000000	800839200							OEM	
0009	000000	800839300							OEM	
0009	0C7259	85089CA02						CONTROL PANEL	ELX	
0009	0C7260	85089CB02						CONTROL PANE	ELX	
0009	0C7261	85089CC02						CONTROL PANEL	ELX	
0009	0C7265	85089HA01						CONTROL PANEL	ZAN	
0009	0C7266	85089HB01						CONTROL PANEL	ZAN	
0009	0C7267	85089HC01						CONTROL PANEL	ZAN	
0009	0C7301	85089C903						CONTROL PANEL	ELX	
0009	0C7304	85089H902						CONTROL PANEL	ZAN	
0010	0C0156	527850500						BRACKET		
0011	0L0113	140088006	0L3189			+		GASKET; 1PC=1100MM		
0012	0C0787	510821301	0CA586			+		CAST IRON RADIANT PLATE	1 MODULE	
0012	0C7126	510822000	0CB508			+		HALF RADIANT PLATE	½ MODULE	
0013	026953	210021601		S		+		DISK FOR COOKING PLATE; ØE=224MM	1 MODULE	
0013	050803	210026714			D	+		PLATE	½ MODULE	
0014	000000	167600200								

Model	All										
Table	59785GP00		Page	2		General components					
Pos.	Spare Part	Alias Code	Repl. by	S	Info	Kit	Techn. Bulletin	Description	Notes		
0014	0CB507	80083CK00						RADIANT PLATE; COMPLETE; 1M	12+13+14 -1 MOD		
0014	0CB508	80083CL00						RADIANT PLATE; COMPLETE; 1/2M	12+13+14 - ½ MOD		
0015	0C1278	510819606		S				GRILL	ZAN		
0015	0C1985	510821002		S				GRID; FOR OPEN FIRE; CAST-IRON	ELX		
0016	0C7333	50389LP00		S				CHIMNEY GRID; L=400MM			
0017	0C1007	548865600		S				KNOB; ØE=55,5MM; PIN=Ø8MM	OEM		
0017	0C7330	511850D02	0C8645					KNOB	ELX up to 2001		
0017	0C7425	548878101		S				KNOB; DIA.8MM	ZAN		
0017	0C8715	511851100		S		+		UNIVERSAL KNOB	ELX from 2211		
0018	0C6671	548876S01		S				RING NUT	ELX		
0018	0C7243	548879F00		S				RING NUT	ZAN, OEM		
0019	0C7244	548879G00		S				RING NUT	ZAN, OEM		
0019	0C7332	548876T01		S				RING NUT	ELX		
0020	069567	218912211	0C6288					RING CONNECTION			
0021	0C5252	548872700		S				VALVE GAS KNOB	OEM		
0021	0C7179	548877Z01		S				KNOB	ZAN		
0021	0C7330	511850D02	0C8645					KNOB	ELX up to 2001		
0021	0C8715	511851100		S		+		UNIVERSAL KNOB	ELX from 2211		
0022	0C0190	548856603		S				KNOB; FOR IGNITER MERTIK; ØE=32MM	OEM		
0022	0C2021	548863303		S				KNOB; IGNITER MERTIK; BLEU	ELX		
0022	0C7181	548878303		S				KNOB	ZAN		
0023	0C7241	548879700						RING NUT	ZAN, OEM		
0023	0C7342	548877401		S				RING NUT	ELX		
0024	0C6171	541813800	0C6172			+		WASHER; SILICONE			
0025	0C6445	538831100						BULB PROTECTION SUPPORT			
0027	0C7272	50389G501						OVEN DOOR			
0028	0C7273	50389G600						OVEN INNER DOOR			
0029	0C0197	560839601						HOOD			
0030	0C7226	51589A602						OVEN HANDLE	ZAN		
0030	0C7271	85589A302						ASSEMBLY OVEN DOOR	ELX		
0030	0C7274	51589A500						OVEN DOOR HANDLE	ELX		
0030	0C7276	85589CH04						OVEN DOOR	ZAN		
0030	0C7278	85589CQ02						OVEN DOOR	OEM		
0030	0C7946	83089FY00						ONEN DOOR HANDLE	OEM		
0031	0C0203	835848100		S	A			HINGE			
0032	052725	205075423		S				HINGE COVER			

Model	All									
Table	59785GP00		Page	2		General components				
Pos.	Spare Part	Alias Code	Repl. by	S	Info	Kit	Techn. Bulletin	Description	Notes	
0033	0C7335	51489AH00						BASIN GUIDE		
0033	0C9751	51489DJ00			D			BASIN GUIDE; AUSTRALIAN VERSION	AUSTRALIA	
0034	025020	330260843		S				CROMED GRID; 650X530MM		
0034	0C6455	856814402						OVEN GRID SHELF; 650X530MM	AUSTRALIA	
0035	0C0123	510818901						SOLE		
0036	0C0198	800833100						COVERING		
0037	000000									
0038	000000									
0039	0C0183	529852304			D			BOTTOM		
0040	0C0184	529852404						SIDE PANEL; RX		
0041	0C0185	529852505						COVER		
0042	0C0201	830898200		S		+		MAGNET		
0043	000000	50389MB01							OEM	
0043	0C7157	50389G300						DOOR	ELX, ZAN	
0044	0C7158	50489CQ00						INNER DOOR		
0045	0A5021	854864203						HANDLE	OEM	
0045	0C7163	85589CT03						OVEN DOOR WITH HANDLE; ASSY	ELX	
0045	0C7164	51589A700	0C8769					HANDLE	ELX up to 247	
0045	0C7165	85589CU04						DOOR ASSEMBLY; WITH HANDLE	ZAN	
0045	0C7627	85589CV02						DOOR ASSEMBLY; WITH HANDLE	OEM	
0045	0C8190	54887A801		S				HANDLE	ZAN	
0045	0C8769	54887AH00		S				HANDLE	ELX from 248	
0046	0C0138	516860801		S		+		HINGE		
0047	0C0139	516860901		S		+		HINGE		
0048	0C0165	529835404	0C5244					SUPPORT		
0050	0C0137	516860702	0C9655			+		PLATE		
0051	0C0218	870838210						FRONT PANEL	WITH OVEN	
0051	0C0219	870838309						FRONT PANEL	WITH OVEN	
0052	0C0182	529850501						PLAQUE	WITH OVEN	
0053	0C0166	529835509						HOUSING	WITH OVEN	
0054	0C0167	529835705						BACK PANEL	WITH OVEN	
0055	006451	147018072		S		+		ALLUMINIUN TAPE; 50MT	WITH OVEN	
0056	000000	5038A1Z02							FREESTANDING	
0056	000000	5038A2004							FREESTANDING	
0056	0C0234	529881707			D			BOTTOM; 1 M	TOP	
013a	001158	330294200						RINGS HOOK		

Model	All									
Table	59785GP00			Page	2		General components			
Pos.	Spare Part	Alias Code	Repl. by	S	Info	Kit	Techn. Bulletin	Description	Notes	
015a	0C0132	510819903		S				GRID; PAN SUPPORT; CAST IRON	CAST IRON	
017a	0C8714	54887AP00		S		+		ADAPTER; DIA.8	ELX from 2211	
021a	0C8714	54887AP00		S		+		ADAPTER; DIA.8	ELX from 2211	
029a	0C0195	560839400						ISOLATION		
029b	0C0196	560839502						HOOD		

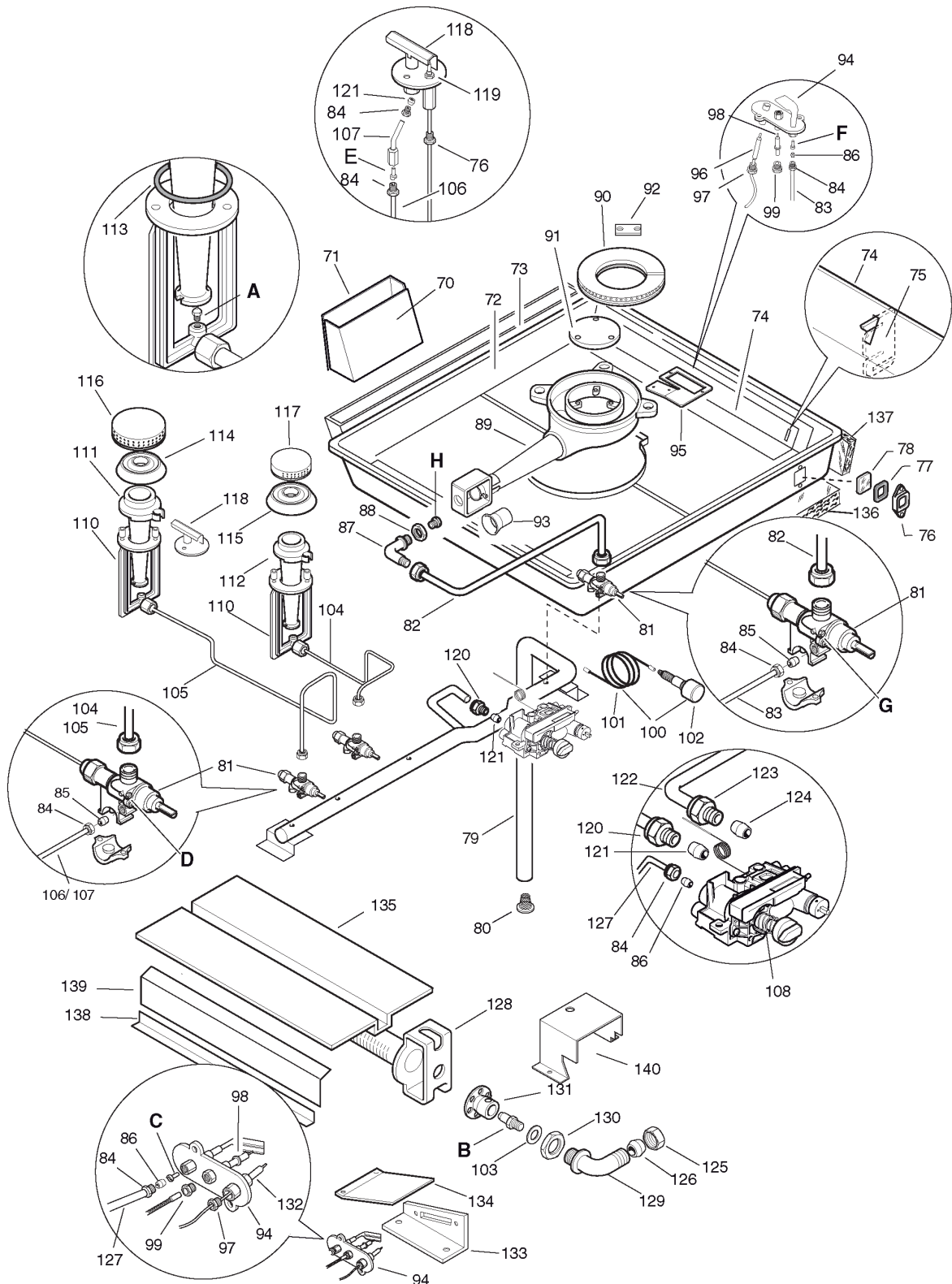


Model	All									
Table	59785GP00		Page	3	General components					
Pos.	Spare Part	Alias Code	Repl. by	S	Info	Kit	Techn. Bulletin	Description	Notes	
0001	026806	315252601		S				FOOT WITH SCREW M6; Ø=18MM	TOP	
0001	0C0204	835856900		S				FOOT; Ø=50,5MM; PIN M10; AISI 304		
0002	000000	50589CD00								
0003	0C6891	530R01701						HANDLE SUPPORT	ELX	
0004	0C6823	530R01802	0C6901			+		PLUG	ELX	
0005	059251	835829600	0C9240				02005	PIEZOELECTRIC IGNITER		
0007	000000	85089DS01							ELX	
0007	000000	85089DV01							ZAN, OEM	
0007	000000	85089DZ02							ELX	
0007	000000	85089F501							ZAN, OEM	
0007	0C8984	85089F402			D			COVERING PLATE	ZAN, OEM	
0007	0CB411	85089F001			D			COVERING	ELX	
0008	0C7279	87089BT00						SHELF	ELX	
0008	0C7280	87089BU00						SHELF	ELX	
0008	0C7281	87089BV01						SHELF	ELX	
0008	0C7288	87089M300						TOP PLATE	ZAN, OEM	
0008	0C7289	87089M400						TOP PLATE	ZAN, OEM	
0008	0C7290	87089M501						TOP PLATE	ZAN, OEM	
0009	000000	800839100							OEM	
0009	000000	800839200							OEM	
0009	000000	800839300							OEM	
0009	0C7259	85089CA02						CONTROL PANEL	ELX	
0009	0C7260	85089CB02						CONTROL PANE	ELX	
0009	0C7261	85089CC02						CONTROL PANEL	ELX	
0009	0C7265	85089HA01						CONTROL PANEL	ZAN	
0009	0C7266	85089HB01						CONTROL PANEL	ZAN	
0009	0C7267	85089HC01						CONTROL PANEL	ZAN	
0009	0C7301	85089C903						CONTROL PANEL	ELX	
0009	0C7304	85089H902						CONTROL PANEL	ZAN	
0010	0C0156	527850500						BRACKET		
0012	0C0787	510821301	0CA586			+		CAST IRON RADIANT PLATE	1 MODULE	
0012	0C7126	510822000	0CB508			+		HALF RADIANT PLATE	½ MODULE	
0013	026953	210021601		S		+		DISK FOR COOKING PLATE; ØE=224MM	1 MODULE	
0013	050803	210026714			D	+		PLATE	½ MODULE	
0016	0C7333	50389LP00		S				CHIMNEY GRID; L=400MM		
0017	0C1007	548865600		S				KNOB; ØE=55,5MM; PIN=Ø8MM	OEM	



Model	All								
Table	59785GP00		Page	3		General components			
Pos.	Spare Part	Alias Code	Repl. by	S	Info	Kit	Techn. Bulletin	Description	Notes
0017	0C7330	511850D02	0C8645					KNOB	ELX up to 2001
0017	0C7425	548878101		S				KNOB; DIA.8MM	ZAN
0017	0C8715	511851100		S		+		UNIVERSAL KNOB	ELX from 2211
0018	0C6671	548876S01		S				RING NUT	ELX
0018	0C7243	548879F00		S				RING NUT	ZAN, OEM
0020	069567	218912211	0C6288					RING CONNECTION	
0021	0C5252	548872700		S				VALVE GAS KNOB	OEM
0021	0C7179	548877Z01		S				KNOB	ZAN
0021	0C7330	511850D02	0C8645					KNOB	ELX up to 2001
0021	0C8715	511851100		S		+		UNIVERSAL KNOB	ELX from 2211
0022	0C0190	548856603		S				KNOB; FOR IGNITER MERTIK; ØE=32MM	OEM
0022	0C2021	548863303		S				KNOB; IGNITER MERTIK; BLEU	ELX
0022	0C7181	548878303		S				KNOB	ZAN
0023	0C7241	548879700						RING NUT	ZAN, OEM
0023	0C7342	548877401		S				RING NUT	ELX
0024	0C6171	541813800	0C6172			+		WASHER; SILICONE	
0025	0C6445	538831100						BULB PROTECTION SUPPORT	
0027	0C7272	50389G501						OVEN DOOR	
0028	0C7273	50389G600						OVEN INNER DOOR	
0029	0C0197	560839601						HOOD	
0030	0C7226	51589A602						OVEN HANDLE	ZAN
0030	0C7271	85589A302						ASSEMBLY OVEN DOOR	ELX
0030	0C7274	51589A500						OVEN DOOR HANDLE	ELX
0030	0C7276	85589CH04						OVEN DOOR	ZAN
0030	0C7278	85589CQ02						OVEN DOOR	OEM
0030	0C7946	83089FY00						ONEN DOOR HANDLE	OEM
0031	0C0203	835848100		S	A			HINGE	
0032	052725	205075423		S				HINGE COVER	
0033	0C7335	51489AH00						BASIN GUIDE	
0033	0C9751	51489DJ00			D			BASIN GUIDE; AUSTRALIAN VERSION	AUSTRALIA
0034	025020	330260843		S				CROMED GRID; 650X530MM	
0034	0C6455	856814402						OVEN GRID SHELF; 650X530MM	AUSTRALIA
0035	0C0123	510818901						SOLE	
0036	0C0198	800833100						COVERING	
0048	0C0165	529835404	0C5244					SUPPORT	
0049	000000								

Model		All							
Table		59785GP00		Page		3		General components	
Pos.	Spare Part	Alias Code	Repl. by	S	Info	Kit	Techn. Bulletin	Description	Notes
0051	0C0218	870838210						FRONT PANEL	WITH OVEN
0051	0C0219	870838309						FRONT PANEL	WITH OVEN
0052	0C0182	529850501						PLAQUE	WITH OVEN
0053	0C0166	529835509						HOUSING	WITH OVEN
0054	0C0167	529835705						BACK PANEL	WITH OVEN
0056	000000	5038A1Z02							FREESTANDING
0056	000000	5038A2004							FREESTANDING
0056	0C0234	529881707			D			BOTTOM; 1 M	TOP
0057	000000								
013a	001158	330294200						RINGS HOOK	
015a	0C0132	510819903		S				GRID; PAN SUPPORT; CAST IRON	CAST IRON
017a	0C8714	54887AP00		S		+		ADAPTER; DIA.8	ELX from 2211
021a	0C8714	54887AP00		S		+		ADAPTER; DIA.8	ELX from 2211
029a	0C0195	560839400						ISOLATION	



Model	All									
Table	59785GP00		Page	4		Gas components				
Pos.	Spare Part	Alias Code	Repl. by	S	Info	Kit	Techn. Bulletin	Description	Notes	
0070	0C0173	529836403						CHIMNEY		
0071	0C0174	529836503						CHIMNEY		
0072	0C0788	524892504						COMBUSTION CHAMBER		
0073	0C0789	524892601						CHIMNEY; FRONTAL		
0074	0C0790	524895802						PROTECTION		
0075	000000	524892901								
0076	057382	206260400		S		+		FRAME		
0077	057402	282217401		S		+		GASKET; FOR INSPECTION GLASS		
0078	057400	275290025	0C5340			+		INSPECTION GLASS		
0079	0C0792	853864302						FEED PIPE		
0079	0C0793	853864402						FEED PIPE		
0079	0C0794	853864502						FEED PIPE		
0080	0C0140	516863902				+		FILTER		
0081	0C0205	835857202		S	A			VALVED GAS TAP; 21S		
0082	0C0795	835861304						PIPE		
0083	0C0796	517879001		S				PIPE		
0084	052125	214164400		S		+		PIPE FITTING; M10X1; HOLE DIAM.4MM		
0085	052127	215199700		S		+		DOUBLE CONE; DIA 4MM		
0086	059161	517808700		S				DOUBLE CONE; DIA 4		
0087	059375	511805801		S				NOZZLE		
0088	020997	214105101		S		+		LOCK NUT		
0089	059374	830865104		S				BURNER; DIA 180	a,b,d,e,f,h,i,l,n,o,p,q,r,s,t	
0089	0C4719	510822700						BURNER; D.123	c,g	
0090	052377	210942401		S				FLAME SPREADER; Ø=180 MM	a,b,d,e,f,h,i,l,n,o,p,q,r,s,t	
0090	0C2993	510822800						FLAME SPREADER; D.122	c,g	
0091	052374	206117200		S				DISC; ØE=82MM; FOR BURNER		
0092	052500	206410400		S				DRIVESHAFT TILE		
0093	051774	215086000		S				AIR ADJUSTING BUSH		
0094	005503	830884101	0C7102					PILOT BURNER		
0095	0C0797	524893000		S				SUPPORT		
0096	0C0202	831800500		S	A			THERMOCOUPLE; M8X1 L=750MM		
0097	0C0121	214162000		S				PIPE FITTING		
0098	059380	830863300		S				SPARK PLUG; DIA 6X44 MM		
0099	057960	214164101		S				PIPE FITTING; SPARK PLUG		
0100	002605	835834900	0C9240					PIEZOELECTRIC IGNITER		
0101	002544	638832401		S		+		IGNITION CABLE; 1000 MM	L = 1000 Australia	

Model	All								
Table	59785GP00		Page	4		Gas components			
Pos.	Spare Part	Alias Code	Repl. by	S	Info	Kit	Techn. Bulletin	Description	Notes
0101	006514	638883500	002544		A			IGNITION CABLE; 700 MM	L = 700
0102	002816	541809000	0C9409					PUSH BUTTON COVER; PIEZO IGNITER	
0103	054029	506833401		S				GASKET	
0104	0C0206	835857406		S				PIPE	
0105	0C0207	835857506		S				PIPE	
0106	0C3647	544820700		S		+		PIPE; ANT.PILOT	
0106	0C3648	544821100		S		+		PIPE; POST.PILOT	
0107	0C3643	510823900		S		+		PIPE FITTING; FOR PILOT BURNER	
0108	0C0209	835859301			D		PDX2008-05	GAS VALVE; MERTIK GV31T-C1A7AGK0Z	
0110	0C0124	510819004		S				VENTURI SUPPORT	
0111	0C0133	510820602		S				VENTURI PIPE; 10 KW	
0112	0C0125	510819103		S				VENTURI PIPE; 6 KW	
0113	0C0188	543829700		S				O RING; 2131 D 33,05	
0114	0C0126	510819203		S				BURNER BODY; 10KW; ØMAX.=99,6MM	
0115	0C0127	510819303		S				BURNER BODY; 6KW;Ø=60,4MM;ØE=79.5MM	
0116	0C0128	510819401		S				FLAME SPREADER; ØE=101,6 MM; 10 KW	
0117	0C0129	510819501		S				FLAME SPREADER; DIA 60 MM	
0118	005503	830884101	0C7102					PILOT BURNER	
0119	0C0202	831800500		S	A			THERMOCOUPLE; M8X1 L=750MM	
0120	051950	514862501		S				PIPE FITTING; 3/8"	
0121	050682	215170716		S		+		DOUBLE CONE; ØI=12MM	
0122	0C0208	835857602	0C1323					PIPE	
0123	0C0149	516869500		S				PIPE FITTING ; 3/8"; MALE	
0124	0C0150	516869600		S				DOUBLE CON	
0125	0A2125	514829301		S				NUT; M16X1,5	
0126	060325	215073101		S				DOUBLE CONE; ØE=12MM; ØI=10 MM; L=7,5MM	
0127	0C0153	544820800		S				PIPE	
0128	059221	830860902		S				OVEN BURNER; 8,5KW	
0129	059250	511805401		S				NOZZLE	
0130	020997	214105101		S		+		LOCK NUT	
0131	054085	830827102						AERATOR	
0132	020094	830852501		S				THERMOCOUPLE; M9X1 L=120 CM	
0133	0C0171	529836201						BRACKET	
0134	0C0172	529836300						PROTECTION	
0135	0C0175	529836602						FIREPROOF	
0136	0C0798	560842403						INSULATOR	

Model		All							
Table		59785GP00		Page		4		Gas components	
Pos.	Spare Part	Alias Code	Repl. by	S	Info	Kit	Techn. Bulletin	Description	Notes
0137	0C0195	560839400						ISOLATION	
0138	0C0168	529835902						CONVEYOR	
0139	0C0169	529836000						CLOSURE	
0140	0C0170	529836101						CLOSURE	

A - Ugello bruciatore / Burner nozzle ø60			
Spare part code	Ref. / Notes		
0A2101	ø1.25	3+3B/P	G30 30mbar
0A2650	ø1.20	3B/P	G30 37mbar
0C0147	ø1.10	3B/P	G30 50mbar
0C0141	ø1.95	2H/2E+	G20 20mbar
A05176400	Ø1.85	2H	G20 25mbar
0C0142	ø2.05	2L	G25 25mbar
51689AP00	ø1.90	2K	G25.3 25mbar
0C0143	ø2.20	2ELL	G25 20mbar
0C7942	Ø1.85/2.25	2S	G25.1 25mbar
0C3657	ø3.60	1a	G110 8mbar
0C3658	ø3.30	1b	G120 8mbar

A - Ugello bruciatore / Burner nozzle ø100			
Spare part code	Ref. / Notes		
0A2089	ø1.60	3+3B/P	G30 30mbar
059384	ø1.50	3B/P	G30 37mbar
0C0148	ø1.45	3B/P	G30 50mbar
0C0144	ø2.60	2H/2E+	G20 20mbar
0C4154	Ø2.15/2.60	2H	G20 25mbar
0C0145	ø2.65	2L	G25 25mbar
51689AQ00	ø2.55	2K	G25.3 25mbar
0C0146	ø2.75	2ELL	G25 20mbar
0C4153	Ø2.45/3.30	2S	G25.1 25mbar
0C3655	ø5.00	1a	G110 8mbar
0C3656	Ø4.40	1b	G120 8mbar

D - Vite di minimo / Min screw ø60			
Spare part code	Ref./ Notes		
002911	Ø0.55	3+3B/P	G30 30mbar
002911	Ø0.55	3B/P	G30 37mbar
002925	Ø0.50	3B/P	G30 50mbar
002899	Ø0.80	2H/2E+	G20 20mbar
002899	Ø0.80	2H	G20 25mbar
002899	Ø0.80	2L	G25 25mbar
002899	Ø0.80	2K	G25.3 25mbar
002899	Ø0.80	2ELL	G25 20mbar
002899	Ø0.80	2S	G25.1 25mbar
-	adjust	1a	G110 8mbar
-	adjust	1b	G120 8mbar

D - Vite di minimo / Min screw ø100			
Spare part code	Ref./ Notes		
002769	Ø0.75	3+3B/P	G30 30mbar
002908	Ø0.70	3B/P	G30 37mbar
002991	Ø0.65	3B/P	G30 50mbar
002902	Ø1.05	2H/2E+	G20 20mbar
002902	Ø1.05	2H	G20 25mbar
002902	Ø1.05	2L	G25 25mbar
002902	Ø1.05	2K	G25.3 25mbar
002902	Ø1.05	2ELL	G25 20mbar
002902	Ø1.05	2S	G25.1 25mbar
-	adjust	1a	G110 8mbar
-	adjust	1b	G120 8mbar

E - Pilota fuochi / Pilot nozzle open burner			
Spare part code	Ref./ Notes		
054593	n°25	3+3B/P	G30 30mbar
054593	n°25	3B/P	G30 37mbar
054593	n°25	3B/P	G30 50mbar
053670	n°41	2H/2E+	G20 20mbar
053670	n°41	2H	G20 25mbar
053670	n°41	2L	G25 25mbar
053670	n°41	2K	G25.3 25mbar
053670	n°41	2ELL	G25 20mbar
053670	n°41	2S	G25.1 25mbar
053669	n°75	1a	G110 8mbar
053669	n°75	1b	G120 8mbar

From sr. Nr/ Da Ser. Nr.: 016

Page: 5 Ed. 2018 07

Doc. Nr.: **059785GP00**

Model	All								
Table	59785GP00	Page	5	Nozzle, screw,Pilot nozzle open burner					
Pos.	Spare Part	Alias Code	Repl. by	S	Info	Kit	Techn. Bulletin	Description	Notes
0000	000000	51689AP00							
0000	000000	51689AQ00							
0000	000000	A05176400							
0000	002769			S		+		MINIMUM SCREW; Ø=0,75; LP GAS	
0000	002899			S		+		MINIMUM SCREW; Ø=0,80; NG	
0000	002902			S		+		MINIMUM SCREW; Ø=1,05 MM	
0000	002908			S		+		NOZZLE; 0,69	
0000	002911			S		+		MINIMUM SCREW; Ø=0,55; GPL	
0000	002925			S		+		MINIMUM SCREW; Ø=0,50; GPL 50 MBAR	
0000	002991			S		+		SCREW	
0000	053669			S				PILOT NOZZLE; N°75; TOWN GAS	
0000	053670			S		+		PILOT NOZZLE; N.41 GN	
0000	054593			S		+		PILOT NOZZLE; N 25 GPL	
0000	059384			S				NOZZLE	
0000	0A2089			S		+		GAS NOZZLE; N°160; GN	
0000	0A2101			S		+		GAS NOZZLE; N°125; GPL	
0000	0A2650			S		+		GAS NOZZLE; N°120; GPL 30-37MBAR	
0000	0C0141			S		+		GAS NOZZLE; N°195; NATURAL GAS	
0000	0C0142			S				NOZZLE; DIA 2,05	
0000	0C0143					+		NOZZLE; DIA 2,20	
0000	0C0144			S				NOZZLE; N°260; NATURAL GAS; 20 MBAR	
0000	0C0145			S				NOZZLE; DIA.2,65	
0000	0C0146			S				NOZZLE; DIA 2,75	
0000	0C0147			S		+		NOZZLE; DIA 1,10	
0000	0C0148			S		+		GAS NOZZLE; DIA. 1,45; 50 MBAR	
0000	0C3655			S				GAS NOZZLE; D 5 H 45	
0000	0C3656							GAS NOZZLE; D 4,4 H 35	
0000	0C3657			S				GAS NOZZLE; DIA.3,6 H 25	
0000	0C3658							GAS NOZZLE; D 3,3 H 25	
0000	0C4153							GAS NOZZLE; D 2.45-3.30	
0000	0C4154							GAS NOZZLE; D 2.15-2.60	
0000	0C7942							NOZZLE; D 1.85-2.25	



G - Vite di minimo T.P. / Min screw SolidTop 1MODULO - 1 MODULE			
Spare part code	Ref. / Notes		
0C0800	ø1.10	3+3B/P	G30 30mbar
004595	Ø1.00	3B/P	G30 37mbar
002926	Ø0.90	3B/P	G30 50mbar
006193	ø1.60	2H/2E+	G20 20mbar
0C4152	Ø1.50	2H	G20 25mbar
006193	Ø1.60	2L	G25 25mbar
006193	ø1.60	2K	G25.3 25mbar
006193	Ø1.60	2ELL	G25 20mbar
006193	Ø1.60	2S	G25.1 25mbar
-	adjust	no CE	G110 8mbar

G - Vite di minimo T.P. / Min screw SolidTop 1/2MODULO - 1/2 MODULE			
Spare part code	Ref. / Notes		
002770	Ø0.85	3+3B/P	G30 30mbar
002899	Ø0.80	3B/P	G30 37mbar
002908	Ø0.70	3B/P	G30 50mbar
002928	Ø1.30	2H/2E+	G20 20mbar
0C1326	Ø1.20	2H	G20 25mbar
002928	Ø1.30	2L	G25 25mbar
002928	Ø1.30	2K	G25.3 25mbar
002928	Ø1.30	2ELL	G25 20mbar
0C1326	Ø1.20	2S	G25.1 25mbar
-	adjust	No CE	G110 8mbar

F - Pilota TuttaPiastra / Pilot nozzle SolidTop			
Spare part code	Ref. / Notes		
059216	n°14	3+3B/P	G30 30mbar
059216	n°14	3B/P	G30 37mbar
059216	n°14	3B/P	G30 50mbar
059215	n°27	2H/2E+	G20 20mbar
059215	n°27	2H	G20 25mbar
059215	n°27	2L	G25 25mbar
059215	n°27	2K	G25.3 25mbar
059215	n°27	2ELL	G25 20mbar
059215	n°27	2S	G25.1 25mbar
059381	n°75	no CE	G110 8mbar

H - Ugello TuttaPiastra / Burner nozzle SolidTop 1/2MODULO - 1/2 MODULE			
Spare part code	Ref. / Notes		
0A2650	Ø1.20	3+3B/P	G30 30mbar
059314	Ø1.15	3B/P	G30 37mbar
059328	Ø1.05	3B/P	G30 50mbar
059315	Ø1.75	2H/2E+	G20 20mbar
0A2141	Ø1.65	2H	G20 25mbar
056793	Ø1.80	2L	G25 25mbar
059315	Ø1.75	2K	G25.3 25mbar
058375	Ø1.90	2ELL	G25 20mbar
*	Ø1.85	2S	G25.1 25mbar
-	-	no CE	G110 8mbar

H - Ugello TuttaPiastra / Burner nozzle SolidTop 1MODULO - 1 MODULE			
Spare part code	Ref. / Notes		
0A2089	Ø1.60	3+3B/P	G30 30mbar
0A2103	Ø1.55	3B/P	G30 37mbar
0A2082	Ø1.40	3B/P	G30 50mbar
058980	Ø2.45	2H/2E+	G20 20mbar
0A2081	Ø2.30	2H	G20 25mbar
059529	Ø2.55	2L	G25 25mbar
058980	Ø2.45	2K	G25.3 25mbar
056795	Ø2.70	2ELL	G25 20mbar
0A2174	Ø2.65	2S	G25.1 25mbar
058628	ø5.50	no CE	G110 8mbar

From sr. Nr/ Da Ser. Nr.: 016

Page: 6 Ed. 2018 07

Doc. Nr.: **059785GP00**

Model	All								
Table	59785GP00		Page	6		Nozzle, screw,Pilot nozzle open burner			
Pos.	Spare Part	Alias Code	Repl. by	S	Info	Kit	Techn. Bulletin	Description	Notes
0000	002770					+		SCREW; DIAMETER 0.85	
0000	002899			S		+		MINIMUM SCREW; Ø=0,80; NG	
0000	002908			S		+		NOZZLE; 0,69	
0000	002926			S		+		NOZZLE; 0,90MM	
0000	002928							SCREW	
0000	004595			S				MINIMUM SCREW	
0000	006193							MINIMUM SCREW	
0000	056793			S				GAS NOZZLE; N°180; G.N.	
0000	056795			S				NOZZLE	
0000	058375							NOZZLE	
0000	058628							NOZZLE	
0000	058980					+		NOZZLE; DIAM.2,45	
0000	059215			S				PILOT NOZZLE; N.27 GN	
0000	059216			S		+		PILOT NOZZLE; N.14 GPL	
0000	059314			S		+		NOZZLE; N°115; GPL	
0000	059315					+		NOZZLE; DIA 1,75	
0000	059328					+		GAS NOZZLE; DIA. 1,05	
0000	059381			S				PILOT BURNER NOZZLE; N°75; TOWN GAS	
0000	059529							NOZZLE; DIA 2,55	
0000	0A2081			S		+		GAS NOZZLE; DIA 2,30	
0000	0A2082			S		+		NOZZLE	
0000	0A2089			S		+		GAS NOZZLE; N°160; GN	
0000	0A2103			S		+		NOZZLE; DIA 1,55	
0000	0A2141			S		+		NOZZLE; DIA 1.65	
0000	0A2174			S		+		NOZZLE	
0000	0A2650			S		+		GAS NOZZLE; N°120; GPL 30-37MBAR	
0000	0C0800			S				SCREW	
0000	0C1326							SCREW; 1.20	
0000	0C4152							SCREW; 1.50	

B - Ugello bruciatore FORNO / Burner nozzle OVEN				
Spare part code	Ref. / Notes			Ref APPLIANCE
002862	ø1.50	3+3B/P	G30 30mbar	
004488	ø1.40	3B/P	G30 37mbar	
059364	ø1.30	3B/P	G30 50mbar	
056471	ø2.25	2H/2E+	G20 20mbar	
056147	ø2.10	2H/2E+	G20 25mbar	
004727	ø2.35	2L	G25 25mbar	
056471	ø2.25	2K	G25.3 25mbar	
002267	ø2.45	2ELL	G25 20mbar	
004727	ø2.35	2S	G25.1 25mbar	
059365	ø5.50	1a	G110 8mbar	c,g
OC0136	ø4.90	1b	G120 8mbar	c,g

C - Ugello pilota FORNO / Pilot nozzle OVEN				
Spare part code	Ref. / Notes			Ref APPLIANCE
059216	n°14	3+3B/P	G30 30mbar	
059216	n°14	3B/P	G30 37mbar	
059216	n°14	3B/P	G30 50mbar	
059215	n°27	2H/2E+	G20 20mbar	
059215	n°27	2H/2E+	G20 25mbar	
059215	n°27	2L	G25 25mbar	
059215	n°27	2K	G25.3 25mbar	
059215	n°27	2ELL	G25 20mbar	
059215	n°27	2S	G25.1 25mbar	
059356	n°50	1a	G110 8mbar	c,g
059356	n°50	1b	G120 8mbar	c,g

From sr. Nr/ Da Ser. Nr.: 016

Page: 7 Ed. 2018 07

Doc. Nr.: **059785GP00**

Pos.	Spare Part	Alias Code	Repl. by	S	Info	Kit	Techn. Bulletin	Description	Notes
0000	002267			S				NOZZLE	
0000	002862			S		+		NOZZLE	
0000	004488					+		NOZZLE	
0000	004727							NOZZLE	
0000	056147							NOZZLE	
0000	056471			S				NOZZLE; DIA. 2,25	
0000	059215			S				PILOT NOZZLE; N.27 GN	
0000	059216			S		+		PILOT NOZZLE; N.14 GPL	
0000	059356			S				PILOT NOZZLE; N°50; 8 MBAR; TOWN GAS	
0000	059364			S		+		GAS NOZZLE; DIA 1,30	
0000	059365							NOZZLE; DIA.5,50	
0000	0C0136							NOZZLE	