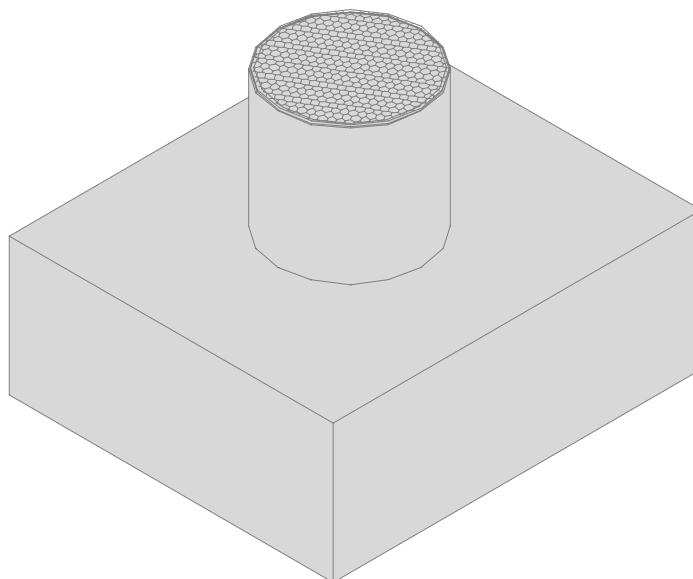


RACK CONVEYOR MACHINE

TYPE: sc9

Spare parts manual



S/N:

Valid from:..11/2002

Rev.: 2.0

1. Spare parts

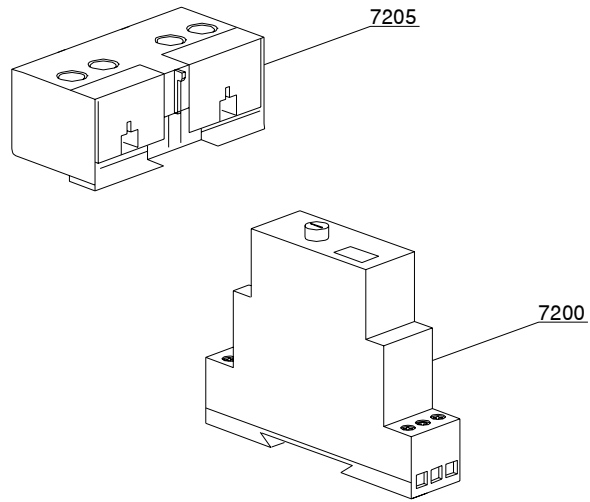
Time relay	5
Steam condenser - part 1	7
Steam condenser - part 2	9
Steam condenser - part 3	11
Steam condenser - part 3	13
Steam condenser - part 3	15
Steam condenser - part 3	17
Steam condenser - part 3	19
Steam condenser - part 3	21
Steam condenser - part 3	23
Steam condenser - part 3	25
Solenoid valves components: tank loading + rinsing + steam condenser	27

1.1 Voltage codes

Voltage code	Voltage
A	3/N/PE~400/230V 50Hz
B	~250V 16A 50Hz
C	3/N/PE~380/220V 50Hz
D	3/PE~200V 50-60Hz
F	2/PE 220-240V 50Hz
G	3/N/PE~415/240V 50Hz
H	3/PE~230V 50Hz
I	3/PE~220V 60Hz
J	3/PE~380 50Hz
K	3/PE~400V 50Hz
L	3/PE~415V 50Hz
M	3/PE~440V 60Hz
N	3/PE~460V 60Hz
O	3/PE~480V 60Hz
P	1/N/PE~220-240V 50Hz
R	2/PE~220-230V 60Hz
S	3/N/PE~400/230V 50Hz
T	3/PE~230V 60Hz

1.2 Product codes

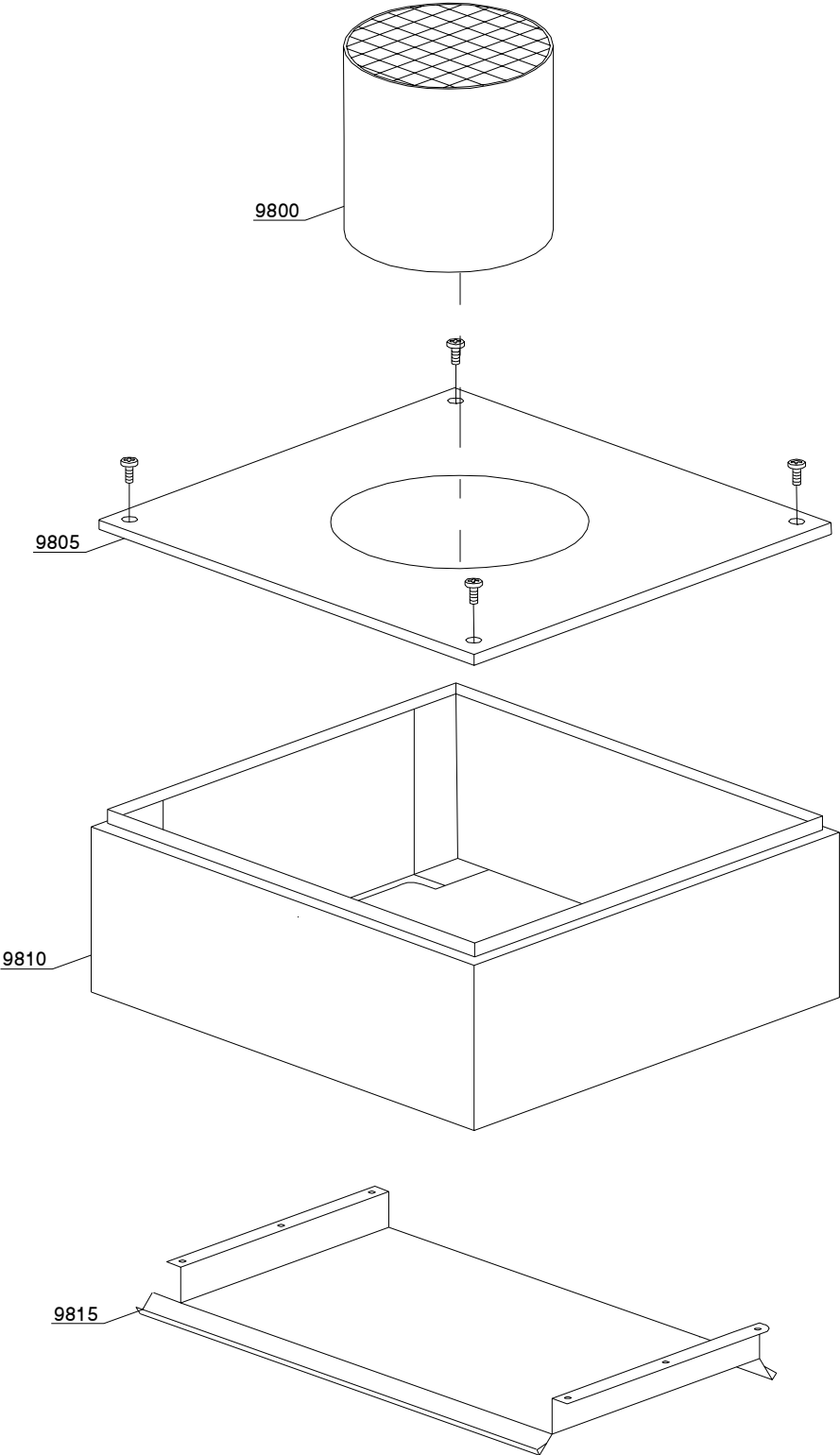
Product code	Full name
Model codes	
Type codes	
sc9	sc9
Accessory codes	



07_001_e

Spare parts

ID	P-code	Model	Type	Accessory	Voltage	Description
MODULE:Time relay						
7200	3006225		34,34HS,22,23,24,25,26,27,28,7 1,71G,39,sc8,sc9,d8,d9,d92,d94, 974,975		A	Time relay 24V
7205	3006068		34,34HS,22,23,24,25,26,27,28,7 1,71G,39,sc8,sc9,d8,d9,d92,d94, 974,975		A	MC9 auxiliary contact 1NO-1NC
7205	3002057		34,34HS,22,23,24,25,26,27,28,7 1,71G,39,sc8,sc9,d8,d9,d92,d94, 974,975		A	MC9 auxiliary contact 2NO
7205	3002052		34,34HS,22,23,24,25,26,27,28,7 1,71G,39,sc8,sc9,d8,d9,d92,d94, 974,975		A	MC9 auxiliary contact 2NC

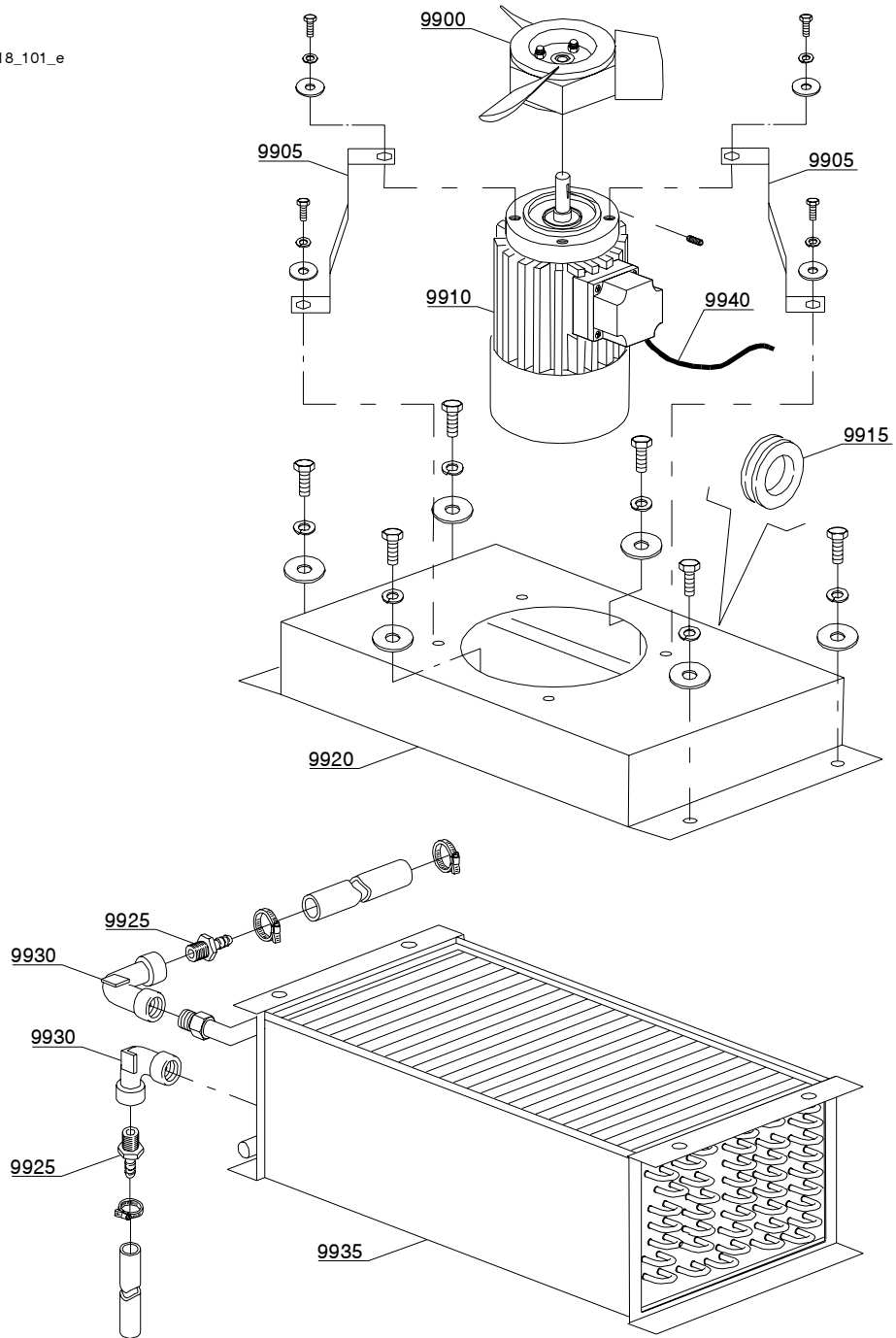


18_001_e

Spare parts

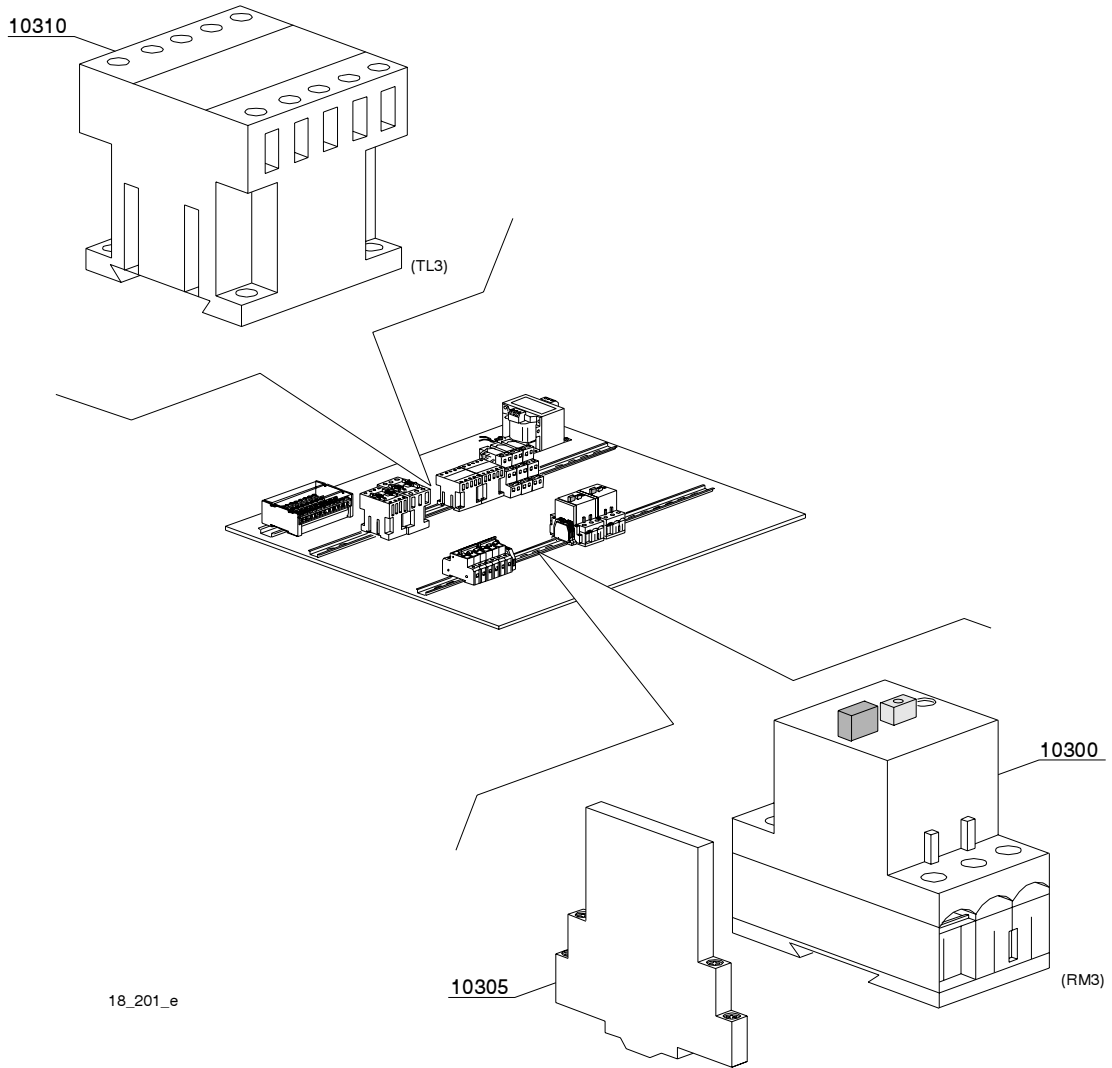
ID	P-code	Model	Type	Accessory	Voltage	Description
MODULE:Steam condenser - part 1						
9800	3009499		22,160,23,24,25,26,27,28,71,39,72,sc9			Chimney
9805	3009306		22,160,23,24,25,26,27,28,71,39,72,sc9			Cover with hole
9810	3009502		22,160,23,24,25,26,27,28,71,39,72,sc9			Complete body
9815	3009090		22,160,23,24,25,26,27,28,71,39,72,sc9			Suction group

18_101_e



Spare parts

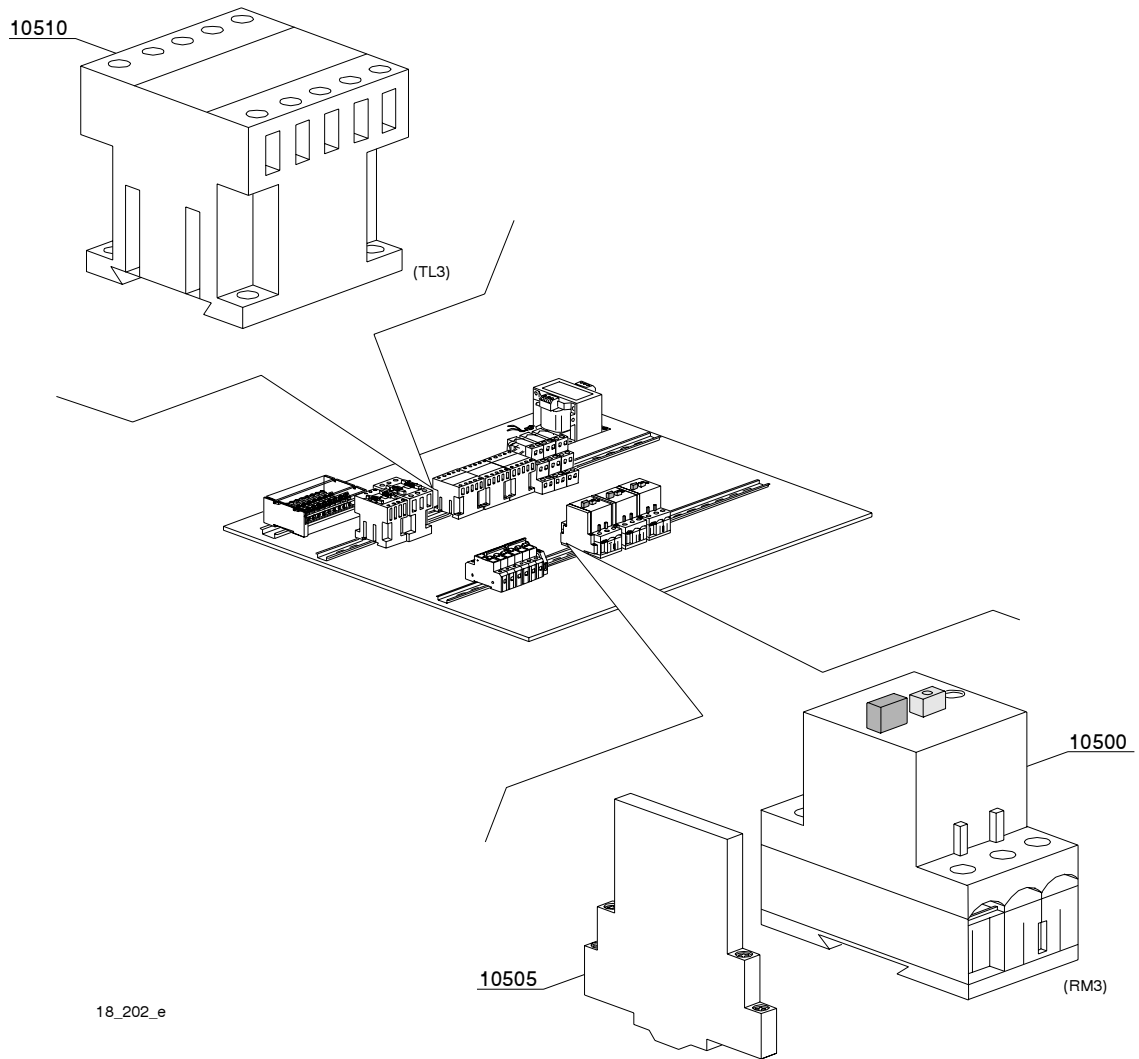
ID	P-code	Model	Type	Accessory	Voltage	Description
MODULE:Steam condenser - part 2						
9900	3000125		22,160,23,24,25,26,27,28,71,39,72,sc9			Impeller fan
9905	3009106		22,160,23,24,25,26,27,28,71,39,72,sc9			Motor holder
9910	3000120		22,160,23,24,25,26,27,28,71,39,72,sc9		A	Motor 0.18KW
9915	13329		22,160,23,24,25,26,27,28,71,39,72,sc9			Fairlead
9920	3009079		22,160,23,24,25,26,27,28,71,39,72,sc9			Steam condenser base
9925	12023		22,160,23,24,25,26,27,28,71,39,72,sc9			Hose holder
9930	3002139		22,160,23,24,25,26,27,28,71,39,72,sc9			Elbow
9935	3000155		22,160,23,24,25,26,27,28,71,39,72,sc9			Heating recovery battery
9940	15184		22,160,23,24,25,26,27,28,71,39,72,sc9			Cable



18_201_e

Spare parts

ID	P-code	Model	Type	Accessory	Voltage	Description
MODULE:Steam condenser - part 3						
10300	2000390		22,160,sc9		A	Motorprotector 1 - 1.6A
10305	3006080		22,160,sc9		A	Auxiliary contact LMS25
10310	2000370		22,160,sc9		A	Contactore MC9

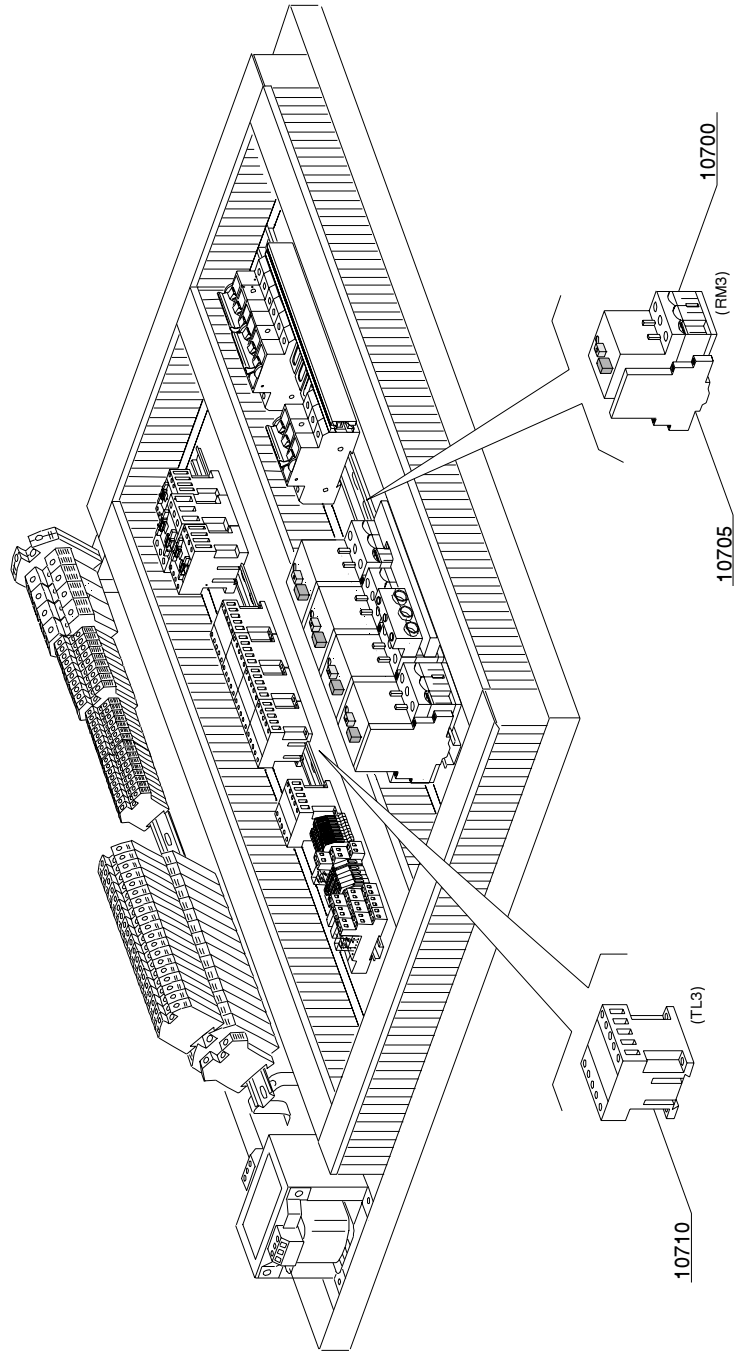


18_202_e

Spare parts

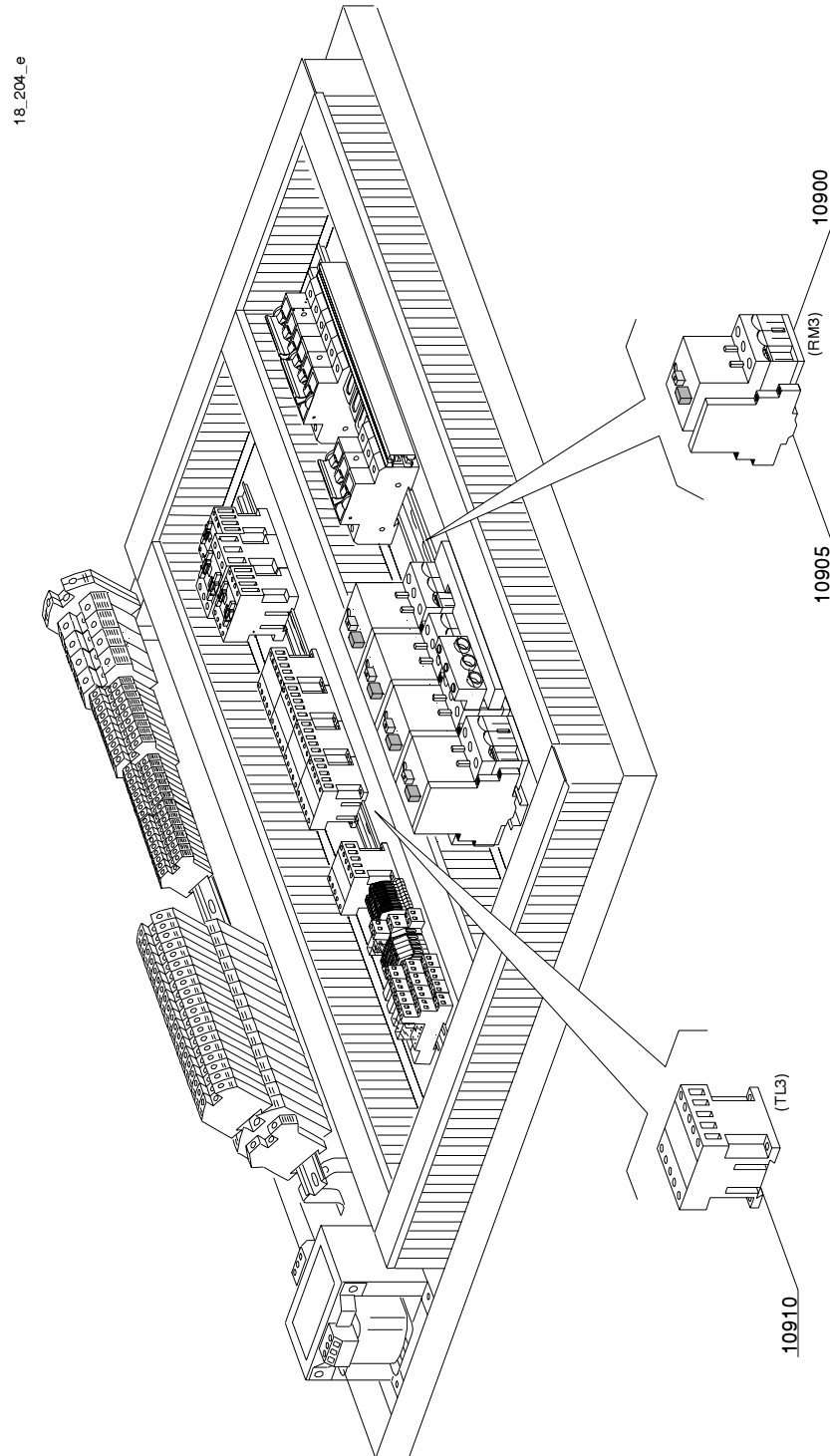
ID	P-code	Model	Type	Accessory	Voltage	Description
MODULE:Steam condenser - part 3						
10500	2000390		23,sc9		A	Motorprotector 1 - 1.6A
10505	3006080		23,sc9		A	Auxiliary contact LMS25
10510	2000370		23,sc9		A	Contactore MC9

18_203_e



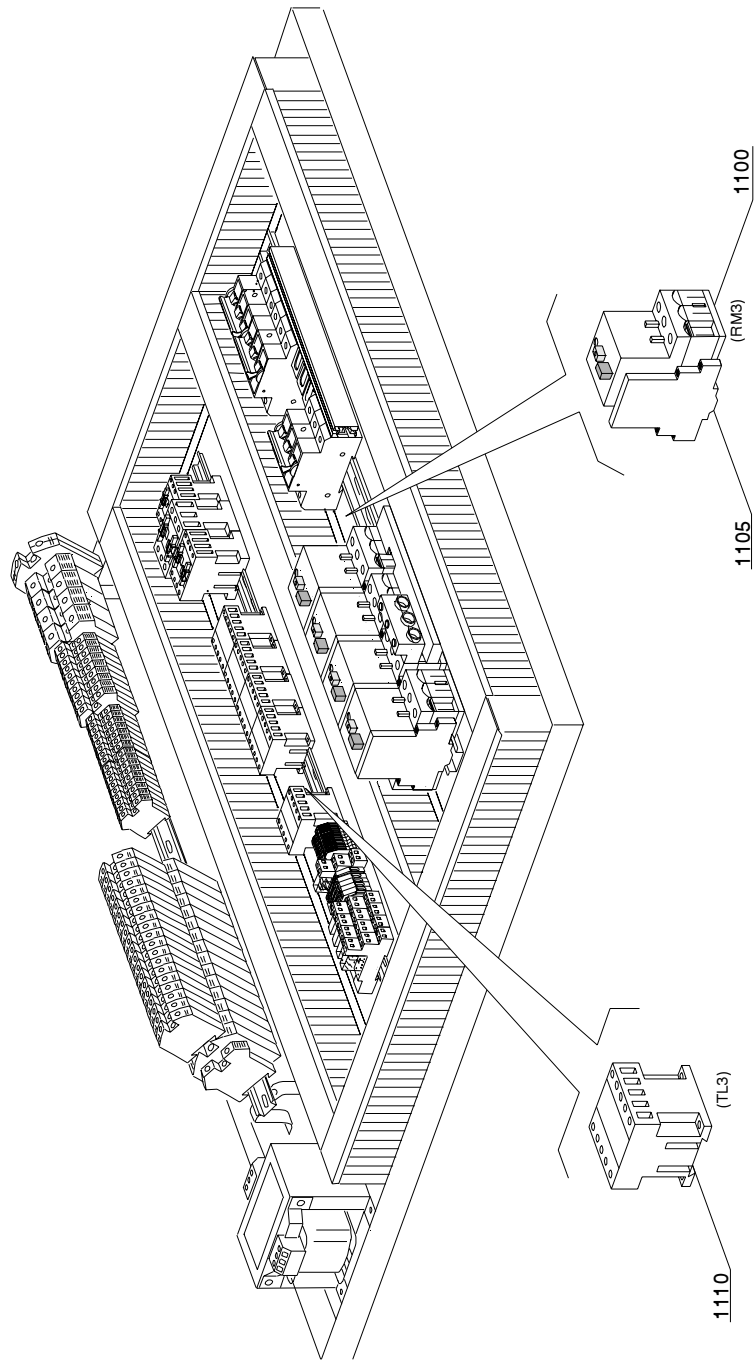
Spare parts

ID	P-code	Model	Type	Accessory	Voltage	Description
MODULE:Steam condenser - part 3						
10700	2000390		24,sc9		A	Motorprotector 1 - 1.6A
10705	3006080		24,sc9		A	Auxiliary contact LMS25
10710	2000370		24,sc9		A	Contactore MC9



Spare parts

ID	P-code	Model	Type	Accessory	Voltage	Description
MODULE:Steam condenser - part 3						
10900	2000390		25,sc9		A	Motorprotector 1 - 1.6A
10905	3006080		25,sc9		A	Auxiliary contact LMS25
10910	2000370		25,sc9		A	Contactore MC9

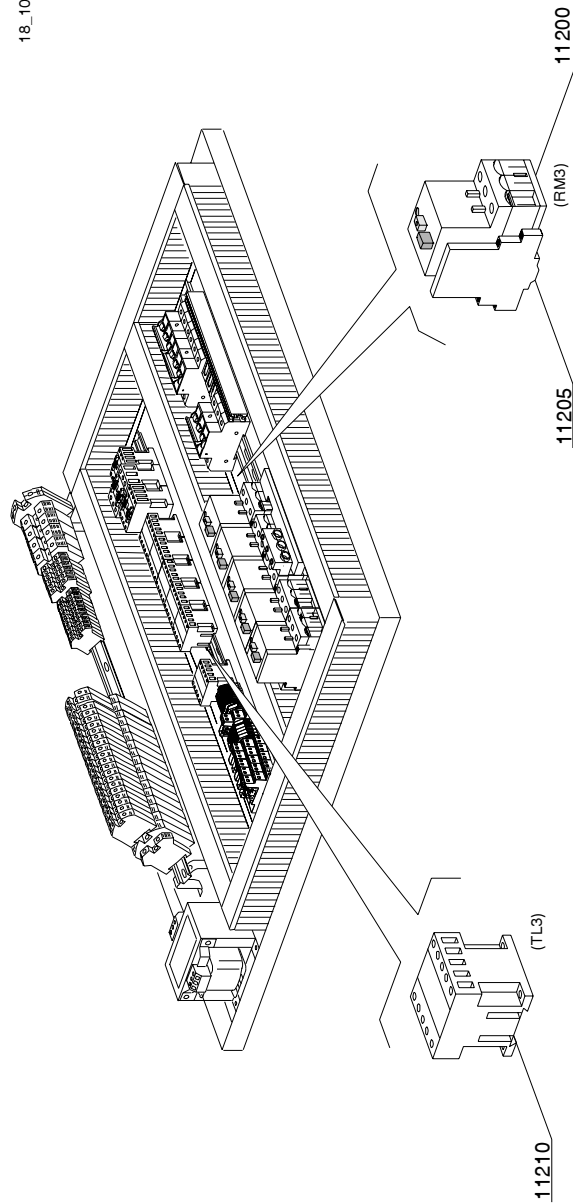


18_205_e

Spare parts

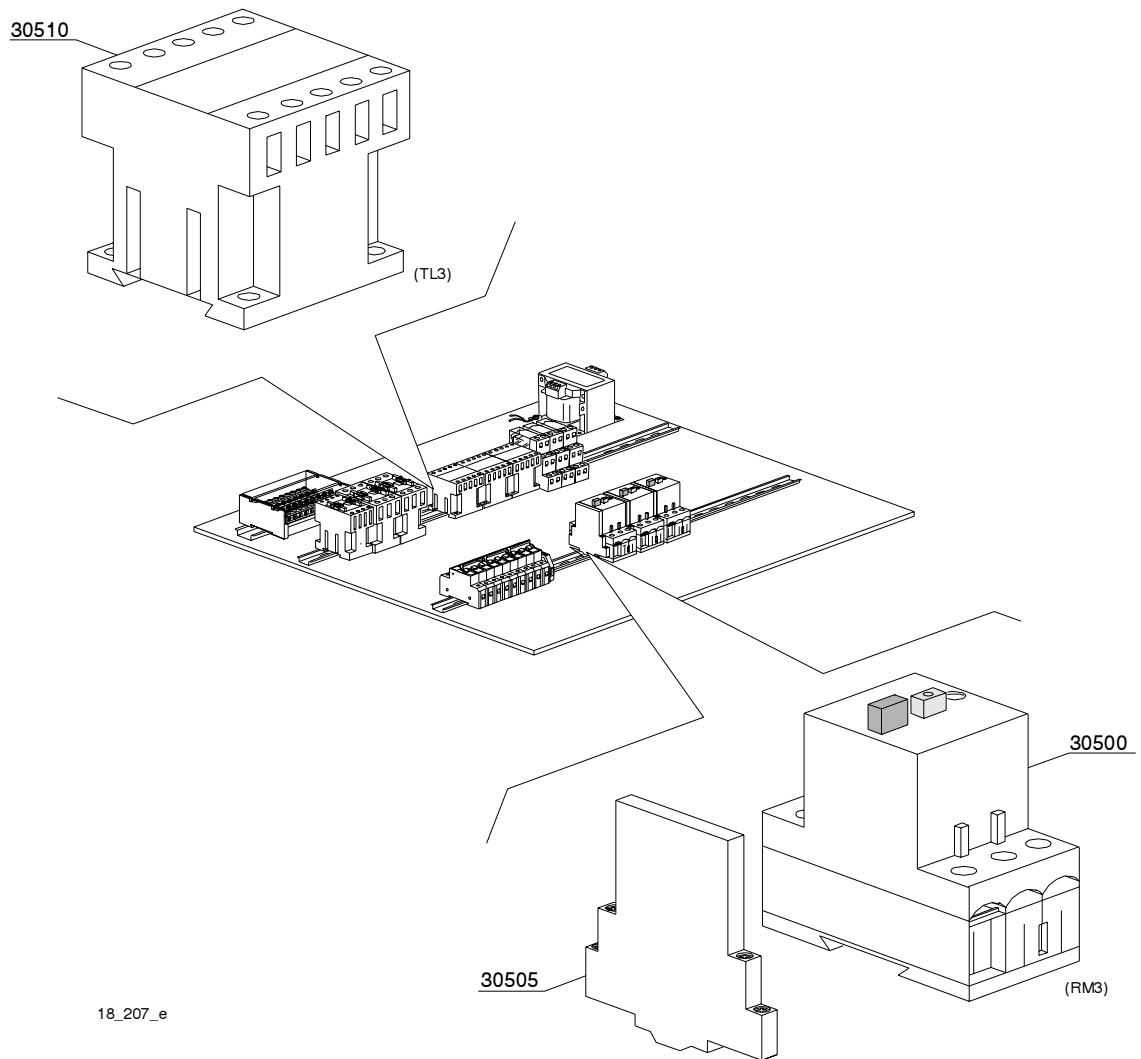
ID	P-code	Model	Type	Accessory	Voltage	Description
MODULE:Steam condenser - part 3						
11100	2000390		26,sc9		A	Motorprotector 1 - 1.6A
11105	3006080		26,sc9		A	Auxiliary contact LMS25
11110	2000370		26,sc9		A	Contactore MC9

18_106_e



Spare parts

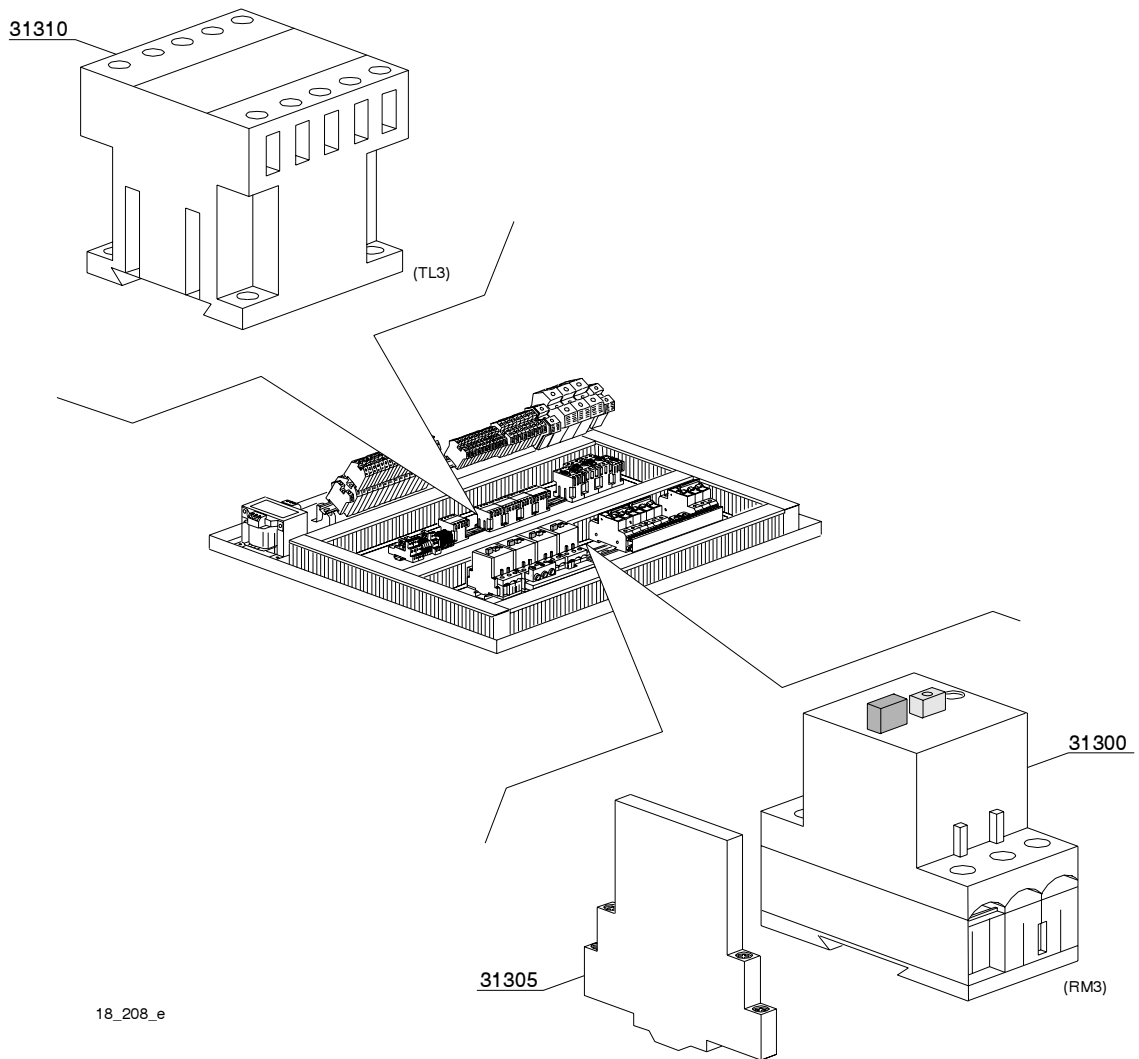
ID	P-code	Model	Type	Accessory	Voltage	Description
MODULE:Steam condenser - part 3						
11200	2000390		27,28,sc9		A	Motorprotector 1 - 1.6A
11205	3006080		27,28,sc9		A	Auxiliary contact LMS25
11210	2000370		27,28,sc9		A	Contactor MC9



18_207_e

Spare parts

ID	P-code	Model	Type	Accessory	Voltage	Description
MODULE:Steam condenser - part 3						
30500	2000390		71,39,sc9		A	Motorprotector 1 - 1.6A
30505	3006080		71,39,sc9		A	Auxiliary contact LMS25
30510	2000370		71,39,sc9		A	Contactore MC9

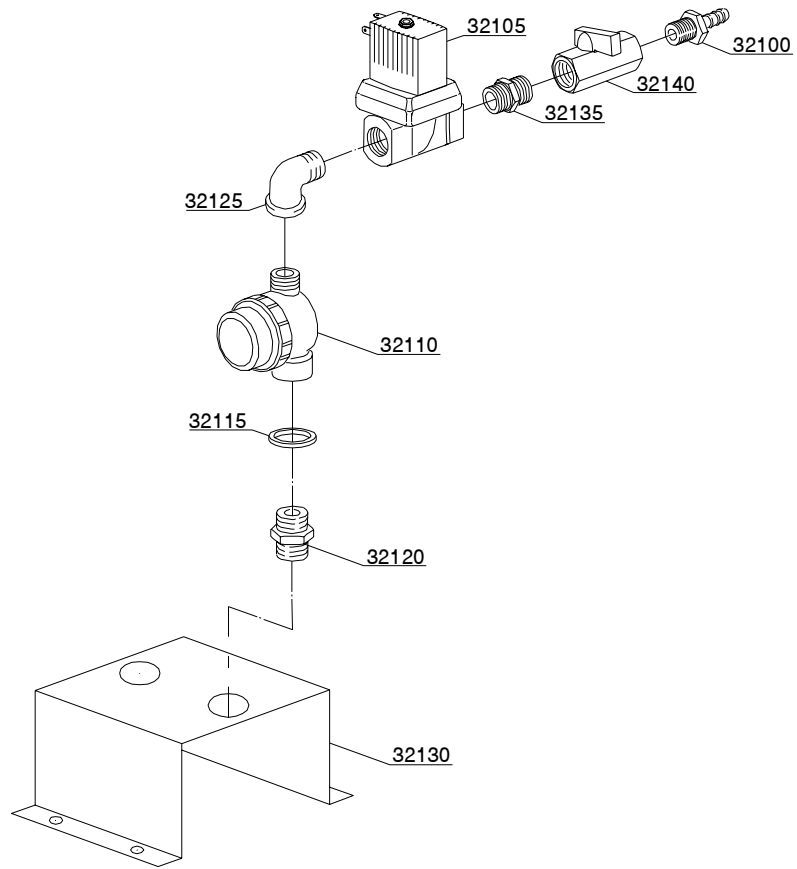


18_208_e

Spare parts

ID	P-code	Model	Type	Accessory	Voltage	Description
MODULE:Steam condenser - part 3						
31300	2000390		72,sc9		A	Motorprotector 1 - 1.6A
31305	3006080		72,sc9		A	Auxiliary contact LMS25
31310	2000370		72,sc9		A	Contactactor MC9

29_009_e



Spare parts

ID	P-code	Model	Type	Accessory	Voltage	Description
MODULE:Solenoid valves components: tank loading + rinsing + steam condenser						
32100	12023		sc9			Hose holder
32105	3002030		sc9			Solenoid valve
32110	2000121		sc9			Filter
32115	13326		sc9			Gasket 38x27x2
32120	12025		sc9			Nipples
32125	3002141		sc9			Elbow
32130	3009220		sc9			Solenoid valve support
32135	12027		sc9			Nipples
32140	3002140		sc9			Tap