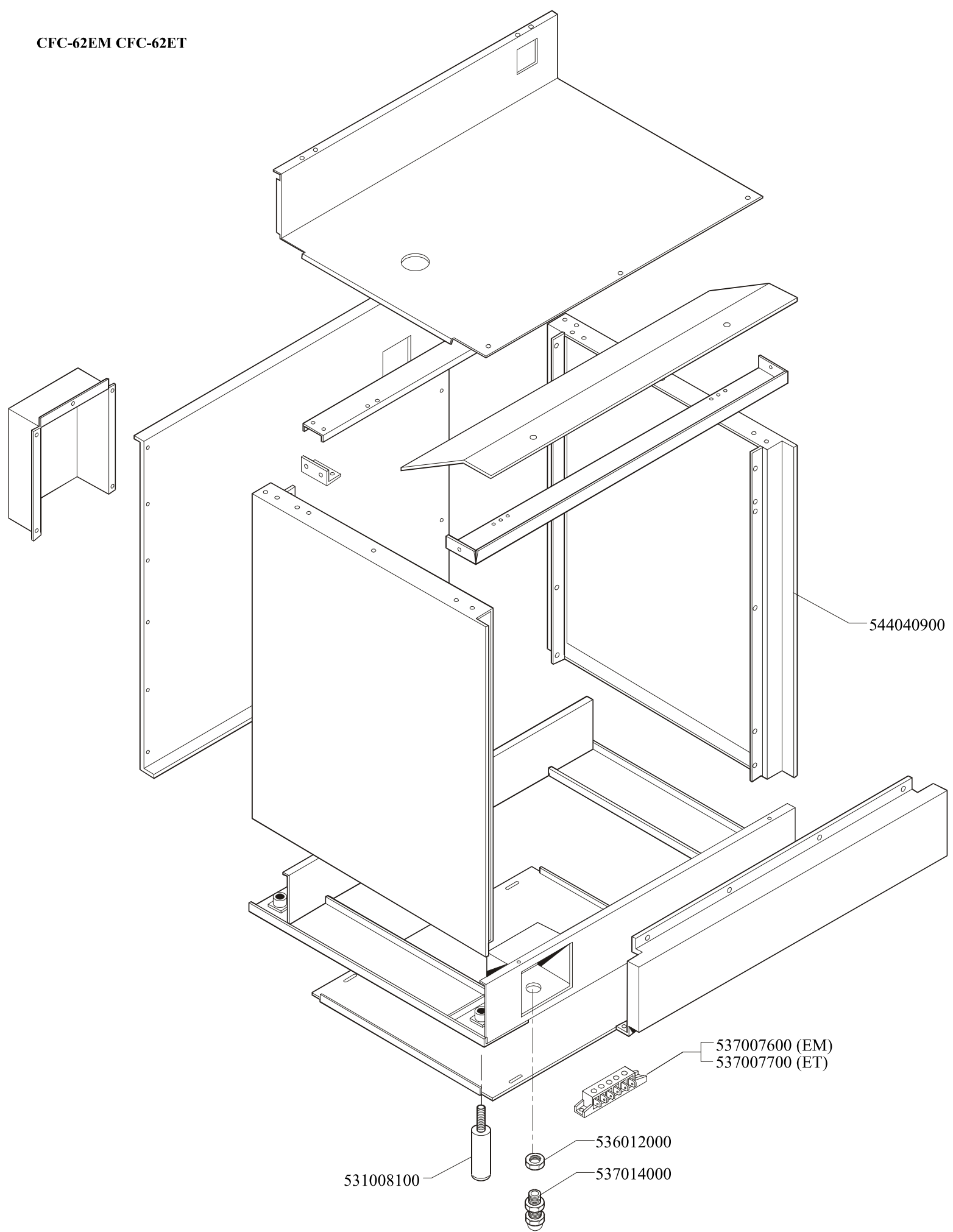
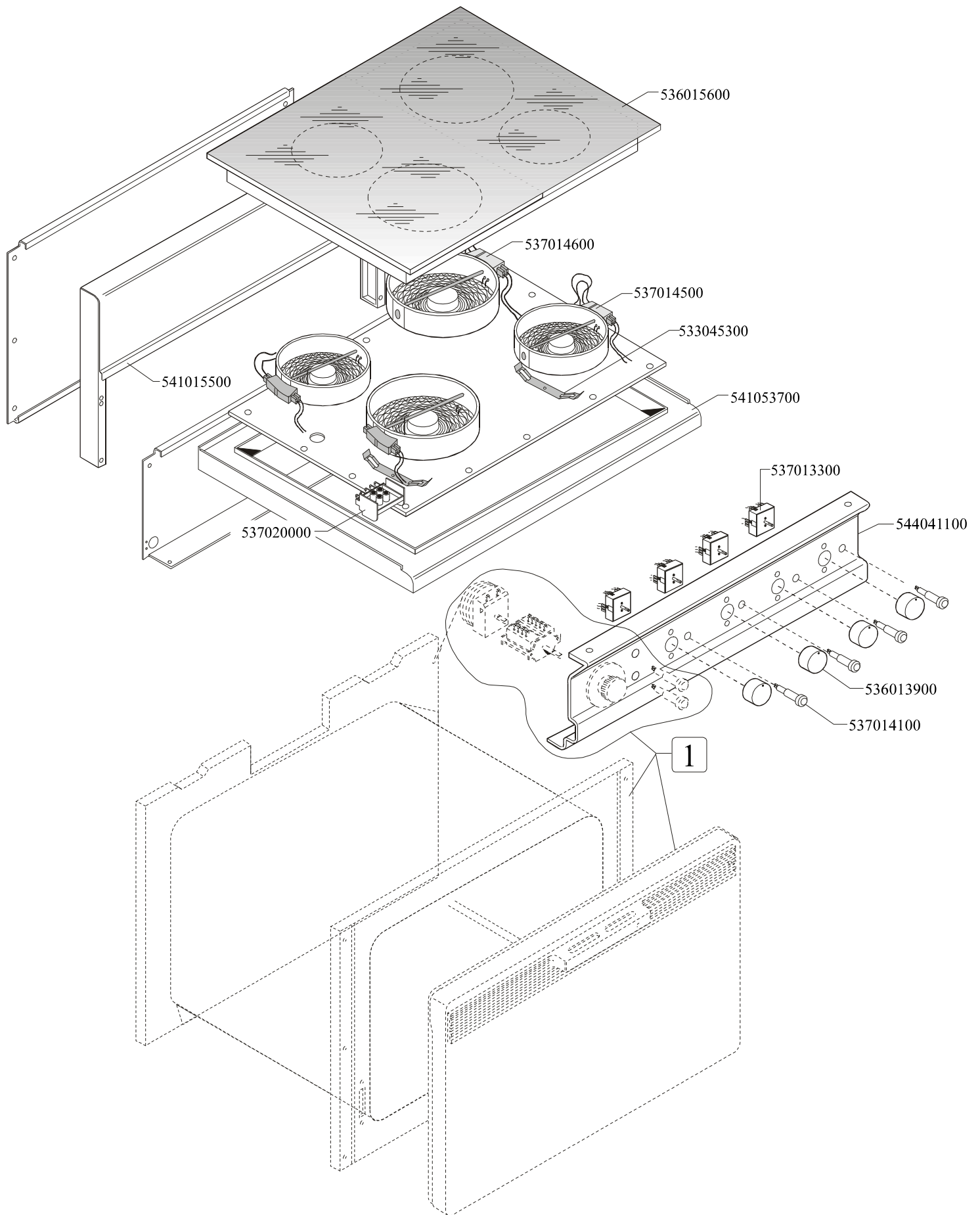
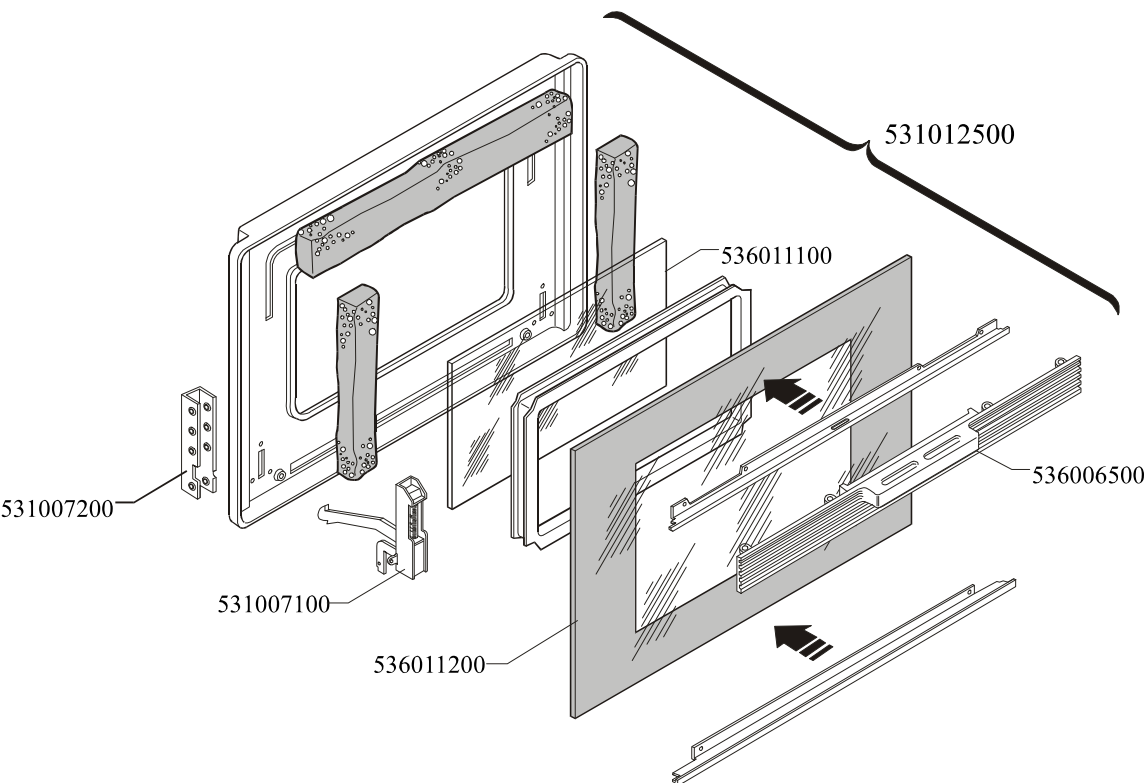
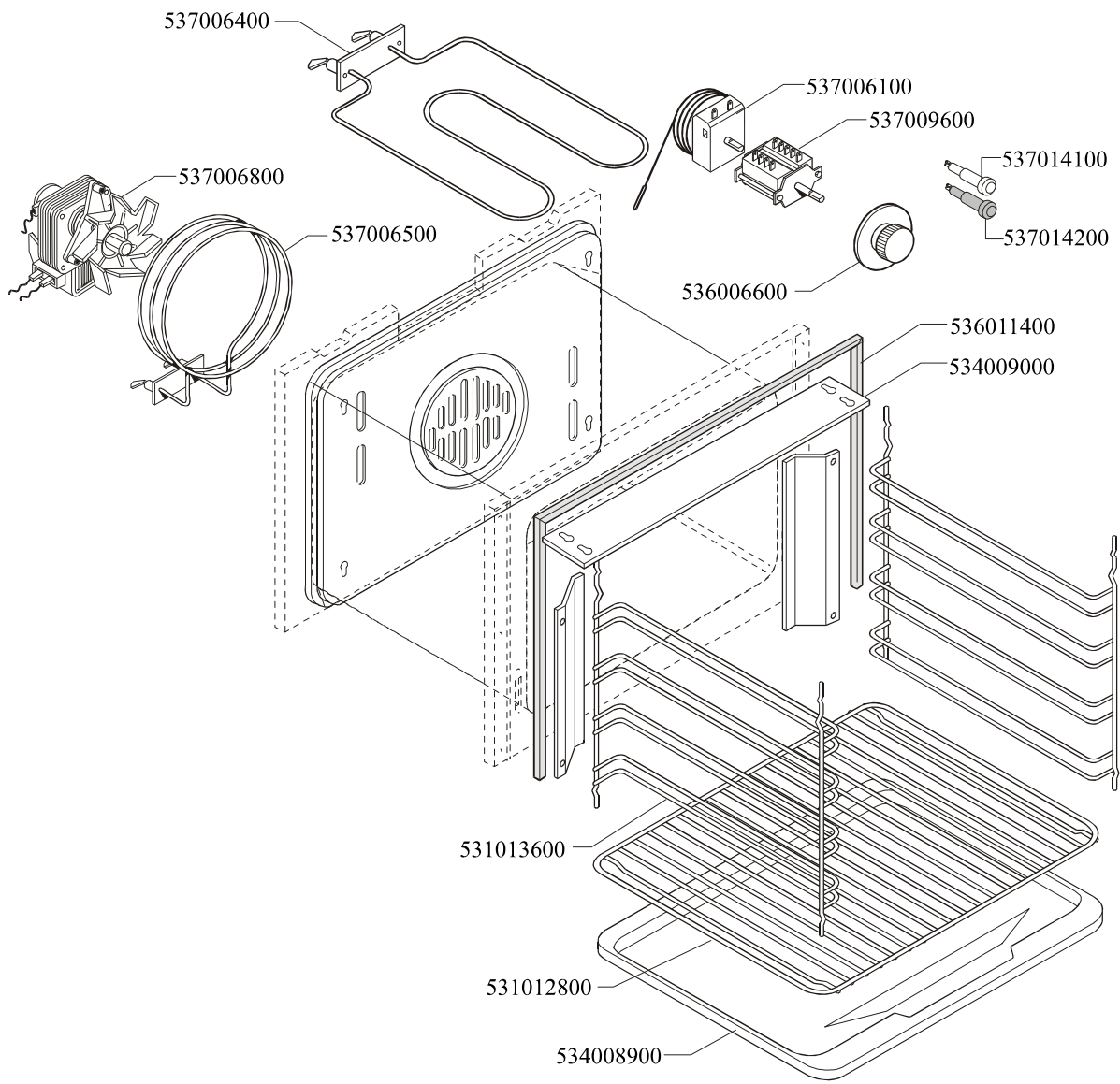


CFC-62EM CFC-62ET





**FORNO VENTILATO
 ELETTRICO E PORTA
 VETRO CF...-62... /
 ELECTRIC
 CONVECTION OVEN
 AND GLASS DOOR CF...-
 62 / ELEKTRO
 HEISLUFTBACKOFEN
 UND GLASTÜR CF...-62...
 / FOUR ELECTRIQUE A
 CONVECTION ET PORTE
 VITREE CF...-62...**



Page	Pos	Code	Description
001		544040900	SIDE RANGE CF-62
001		537007700	TERMINAL BLOCK THREEPHASE 40A
001		536012000	HEXAGONAL LOCK NUT PG-21
001		537014000	CABLE SECURING CLAMP PG-21
001		531008100	ADJUSTABLE LEG H9 CHROME
002		536015600	CERAMIC SHEET COMPLETE+FRAME PCC62E
002		537014600	ELECTRICAL PLATE 1700W 230V PCC-60
002		541015500	NEUTRAL SPACER 62
002		537020000	REMAINING HEAT 4 PILOT LIGHTS UNIT
002		537014500	ELECTRICAL PLATE 1200W 230V PCC-60
002		533045300	PLATE SPRING PCC
002		541053700	UPPER PLATE PCC-62E
002		537013300	CURRENT REGULATOR FOR ELEC. PLATE
002		544041100	CONTROL PANEL CF-62E
002		536013900	KNOB 7 POSITIONS PCC-60E
002		537014100	WHITE WARNING LIGHT 250V
003		537006400	OVEN HEATING EL.W1500 V220 CF-62
003		537006800	FAN 240V CF-62
003		537006500	HEATING ELEMENT W2000 V230 CF-62
003		537006100	OVEN THERMOSTAT CF-62/8/10
003		537009600	OVEN COMMUTATOR CF-62E
003		536006600	OVEN KNOB CF-62
003		537014100	WHITE WARNING LIGHT 250V
003		537014200	GREEN WARNING LIGHT 250V
003		536011400	OVEN GASKET CF-62
003		534009000	GRILL PROTECTION CF-62
003		531013600	SIDE GRID FOR MAXI/VENTILATED OVEN
003		531012800	OVEN GRID CF-62
003		534008900	OVEN DRIPPING-PAN CF-62
003		531007200	DOOR WHEEL HOLDER CF-62
003		531007100	OVEN DOOR HINGE FOR CF-62
003		536011200	EXTERNAL GLASS FOR OVEN DOOR CF-62
003		536011100	INTERNAL GLASS FOR OVEN DOOR CF62
003		536006500	OVEN DOOR HANDLE CF-62
003		531012500	COMPLETE OVEN DOOR CF-62