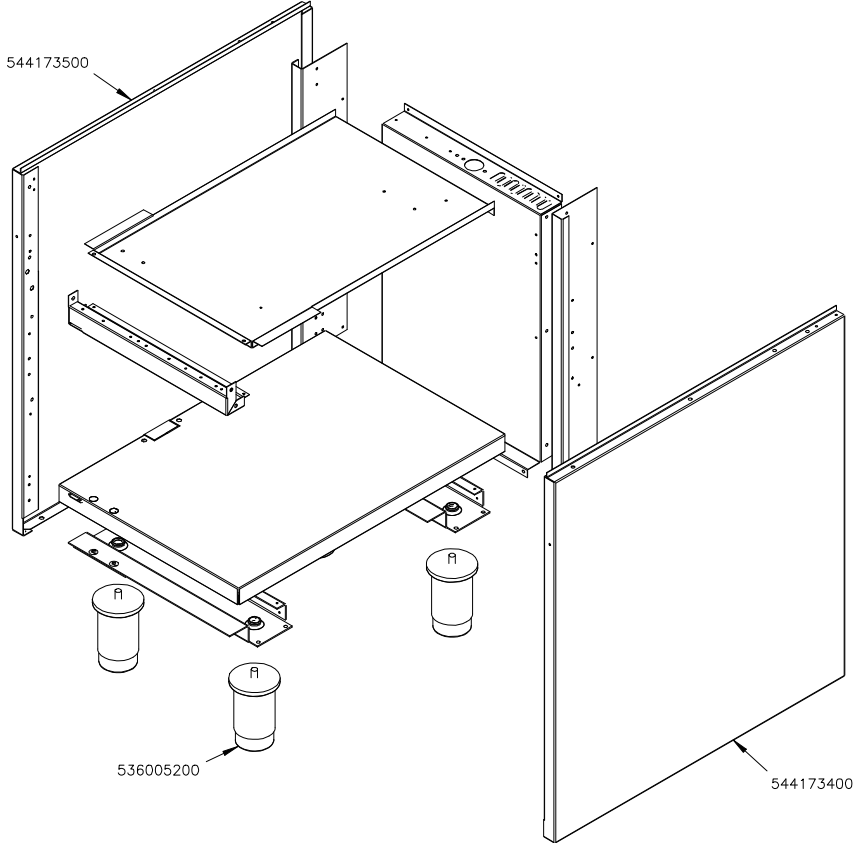
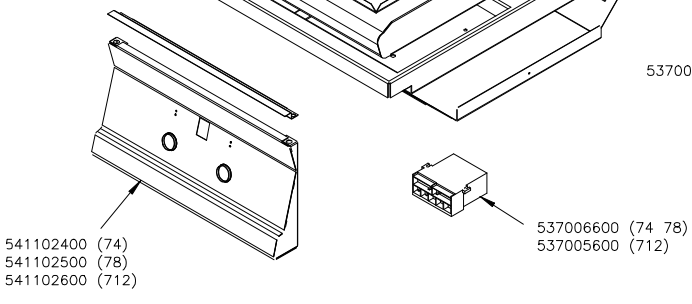
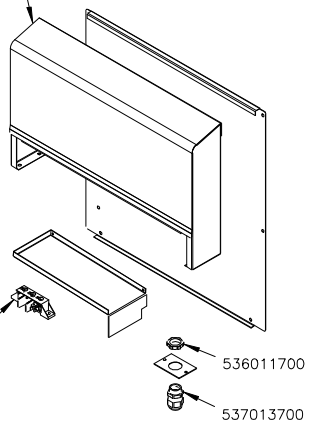
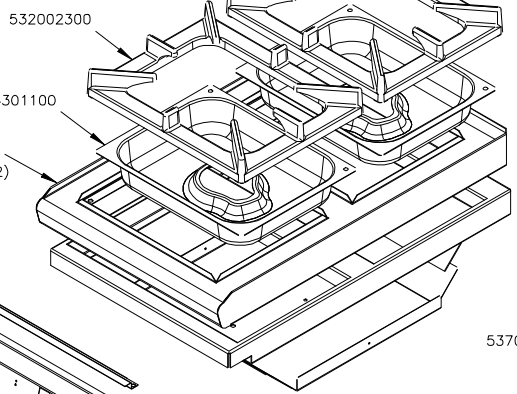
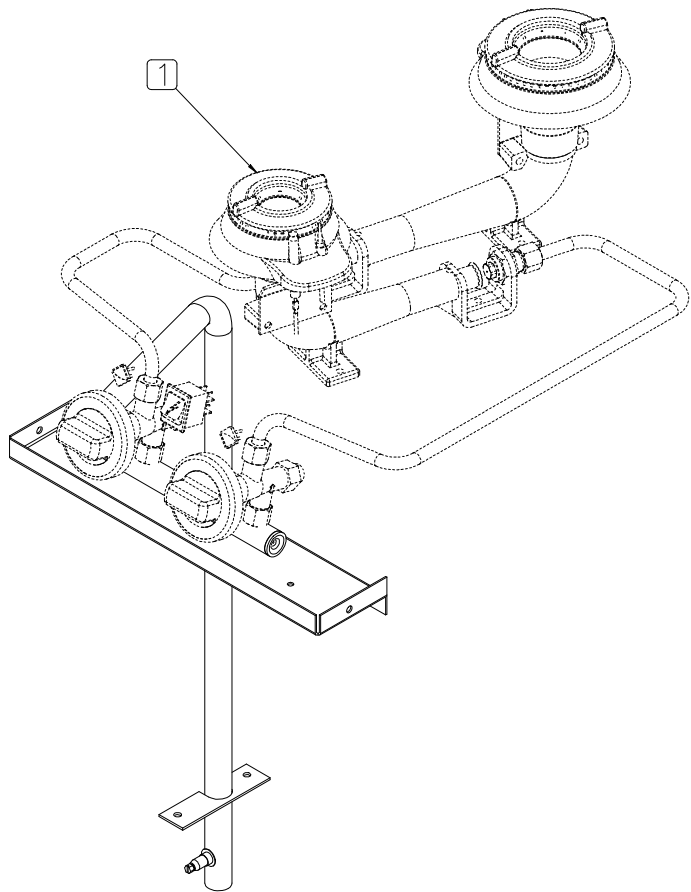


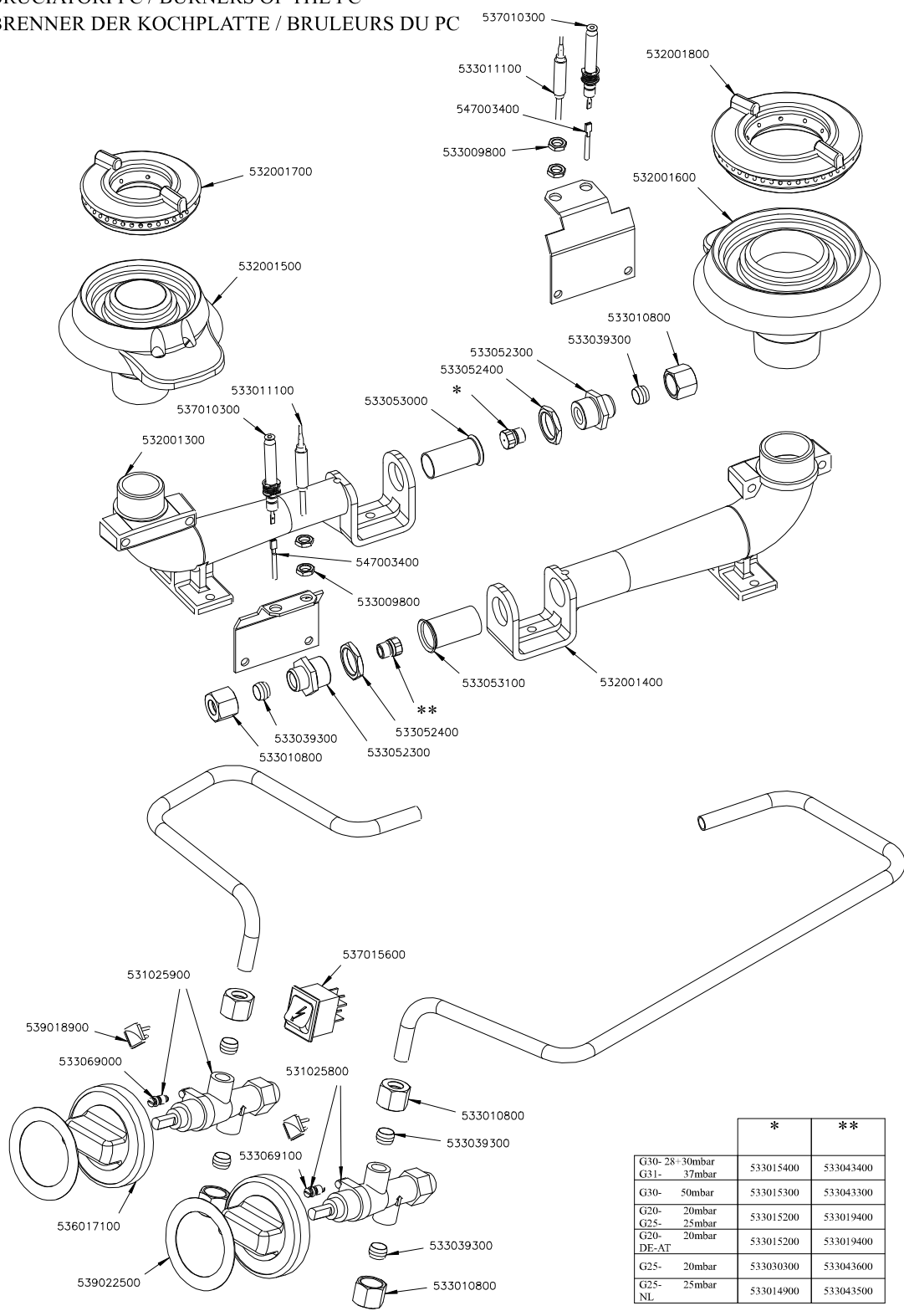
PC-74G PC-78G PC-712G

533009200
541097000 (74)
541097100 (78)
541097200 (712)





BRUCIATORI PC / BURNERS OF THE PC
 BRENNER DER KOCHPLATTE / BRULEURS DU PC



	*	**
G30- 28-30mbar	533015400	533043400
G31- 37mbar		
G30- 50mbar	533015300	533043300
G20- 20mbar	533015200	533019400
G25- 25mbar		
G20- 20mbar	533015200	533019400
DE-AT		
G25- 20mbar	533030300	533043600
G25- 25mbar	533014900	533043500
NL		

Page	Pos	Code	Description
001		533009200	REDUCTION FOR 65 AND 70 LINE
001		541097100	NEUTRAL SPACER 78
001		532002300	1 FLAME GRILL 346X274 (70)
001		544301100	ENAMELLED BURNER DRIP PAN 1/2
001		544186400	UPPER PLATE PC-78G CF4-78G
001		537007600	TERMINAL BLOCK SINGLEPHASE 40A
001		536011700	HEXAGONAL LOCK NUT PG-11
001		537013700	CABLE SECURING CLAMP PG-11
001		537006600	IGNITION UNIT 4 FLAMES V230
001		541102500	CONTROL PANEL PC-78G
001		544173500	LEFT SIDE PANEL S.70
001		536005200	INOX LEG 2" 120-180 M10
001		544173400	RIGHT SIDE PANEL S.70
003		537010300	PLUG IGNITION WITH SPRING PC65
003		532001800	QUICKBURNER §102
003		533011100	THERMOCOUPLE 600 M8*1
003		547003400	HIGH-VOLTAGE CABLE L=900
003		533009800	BRASS NUT M8*1
003		532001700	QUICKBURNER §82
003		532001600	BURNER BODY 5,5 KW
003		532001500	BURNER BODY 3,5 KW
003		533010800	TUBE NUT D.10 M16*1,5
003		533039300	BICONE §10
003		533052300	JOINT FOR NOZZLE HOLDER
003		533052400	NUT M20*1 H4
003		533053000	AIR ADJUSTMENT BUSHING §18
003		532001300	BURNER VENTURI 3,5 KW
003		532001400	BURNER VENTURI 5,5 KW
003		533053100	AIR ADJUSTMENT BUSHING §20
003		537015600	BIPOLAR SWITCH
003		531025900	SAFETY TAP 20S-B PEL20S21070
003		539018900	INDEX FOR KNOB
003		533069000	BY PASS COCK §70 20S-21S
003		536017100	BLACK KNOB §70 PIN §8*6,5
003		539022500	ADHESIVE GRADUATED DISC FOR KNOB
003		531025800	SAFETY TAP 20S-B PEL20S2160
003		533069100	BY PASS COCK §60 20S
003		533015400	NOZZLE §93 CH12*14 G-PC4 R
003		533043400	NOZZLE §117 CH12*14 G-PC4 UR
003		533015300	NOZZLE §82 CH12*14 F-PC4 R
003		533043300	NOZZLE §103 CH12*14 F-PC4 UR
003		533015200	NOZZLE §145 CH12*14 F-FP/CP6
003		533019400	NOZZLE §180 CH12*14 L-FQ5
003		533030300	NOZZLE §160 CH12*14 M-FPG
003		533043600	NOZZLE §200 CH12*14 L-PC4 UR
003		533014900	NOZZLE §150 CH12*14 F-FQ5 L-FQ6
003		533043500	NOZZLE §190 CH12*14 G25 PC4R