



Rev. 6 - 04/07/2007

SHELL ASSY

COOLING SYSTEM 2nd Version M350A - M350W - M350AW

COOLING SYSTEM 1st Version M350A/W - M350W

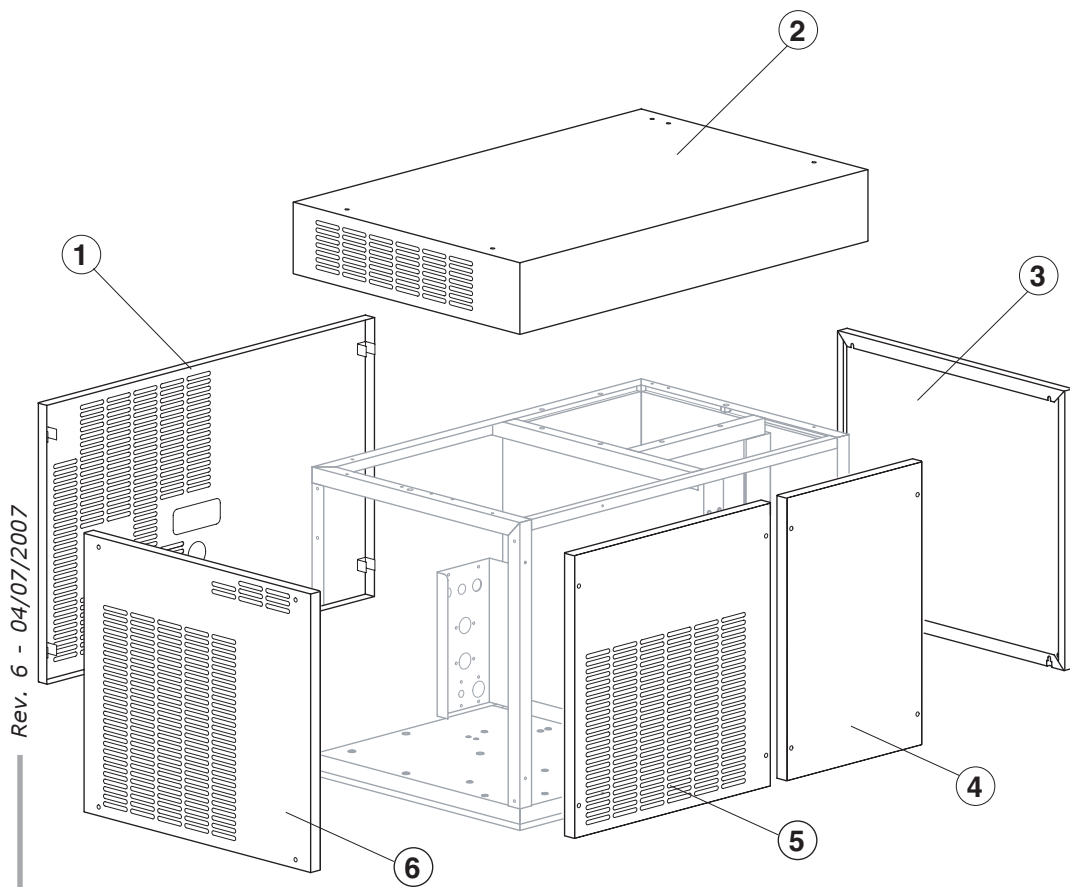
EVAPORATOR 2nd Version M350A - M350W - M350AW

EVAPORATOR 1st Version M350A/W - M350W

PUMP

ELECTRIC PARTS 2nd Version M350A - M350W - M350AW

ELECTRIC PARTS 1st Version M350A/W - M350W



Rev. 6 - 04/07/2007

Ref.	Spare Description	Code
1	Rear Panel	22427
2	Top Assembly	C22422
3	Right Side Panel	22425
4	Front Panel Assy (Evaporator Side)	C22424B
5	Front Panel (Condenser Side)	C22423
6	Left Side Panel	22426



Common Parts

Ref.	Spare Description	Code
1	Expansion Valve	20734
2	Orifice	20797
7	Solid Core Drier	14084
8	Vacuum-Charge Valve Plug	14006
9	Vacuum-Charge Valve Device	14005
10	Vacuum-Charge Valve Body	14007
11	Compressor	See Table
12	Hot Gas Valve Coil	23091
13	Hot Gas Valve Body	20409

Parts for Air-Cooled Version Only

Ref.	Spare Description	Code
4	Sucking Fan	20407
5	Air Condenser	20670

Parts for Water-Cooled Version Only

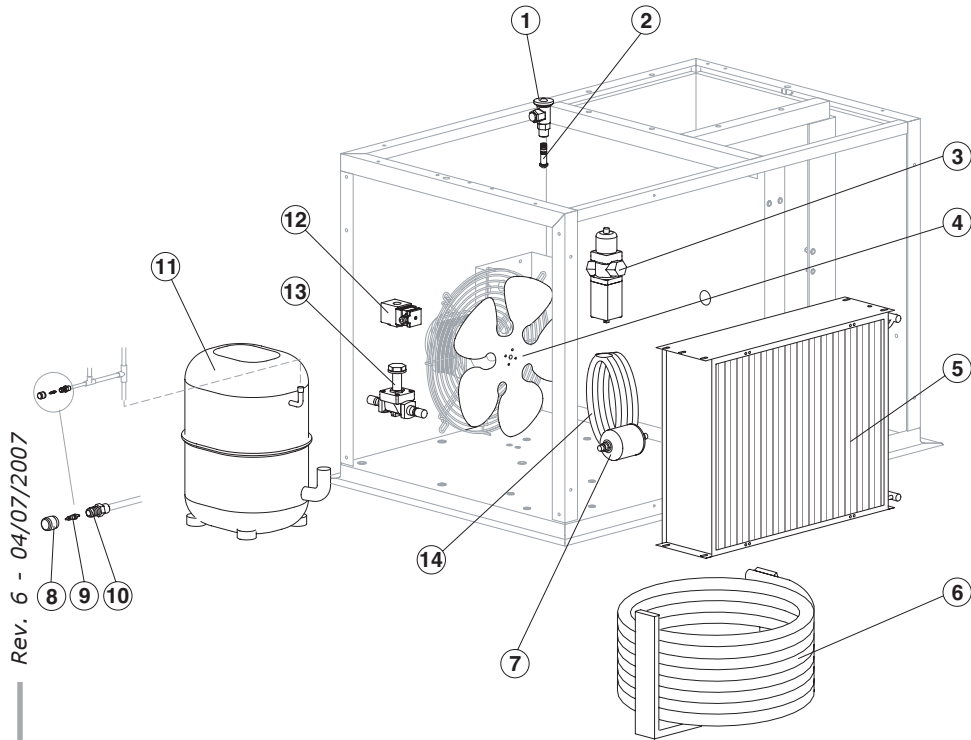
Ref.	Spare Description	Code
3	Pressostatic Valve	20149
6	Water Condenser	14507

Parts for Mixed Cooled Version Only

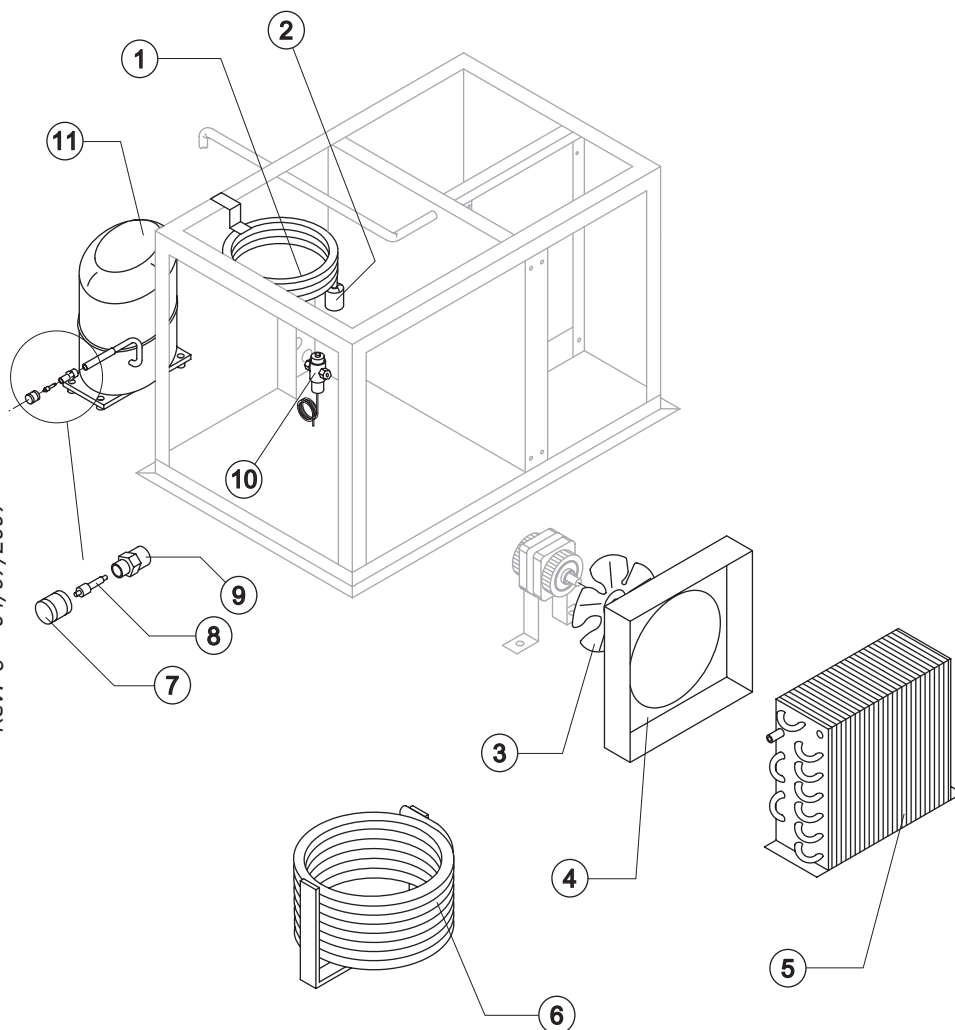
Ref.	Spare Description	Code
4	Sucking Fan	20407
5	Air Condenser	20670
14	Water Condenser	14014

Ref. 10- Compressor

Tension	Code
220/240V 50 Hz	23514
220/230V 60Hz	23515
400V 3N 50 Hz	23516



Rev. 6 - 04/07/2007



Common Parts

Ref.	Spare Description	Code
2	Solid Core Drier	14084
7	Vacuum-Charge Valve Plug	14006
8	Vacuum-Charge Valve Device	14005
9	Vacuum-Charge Valve Body	14007
10	Presostat Valve	20149
11	Compressor	See Table -

Parts for Water-Cooled Version Only

Ref.	Spare Description	Code
3	Sucking Fan	20095
6	Water Condenser	14285

Parts for Mixed Cooled Version Only

Ref.	Spare Description	Code
1	Water Condenser	14014
3	Sucking Fan	20153
4	Conveyor	10238
5	Air Condenser	Current Version 20651
5	Air Condenser	Till s/n. 43383 20148

Ref. 11- Compressor

Tension		Code
220/240V 50 Hz	Current Version	23514
220/240V 50 Hz	Till s/n. 34204	23448
220/230V 60 Hz	Current Version	23515
220/230V 60 Hz	Till s/n. 33908	23460
230V 3 50 Hz		23564
400V 3N 50 Hz	Current Version	23516
400V 3N 50 Hz	Till s/n. 34204	23450
220-230V 3 60 Hz		23564



MUSTER 350

2nd Version M350A - M350W - M350AW

EVAPORATOR

Common Parts

Ref.	Spare Description	Code
1	Gearmotor Assy	See Table
2	Key 6x6x40	20350
3	Pinion with Shaft for Gearmotor	C20344
4	Cylinder Locking Ring Nut	20324
5	Ring Gear	20354
6	Scraper	Current Version 20846
6	Scraper	Till s/n. 377385 20330
7	M8 Tie Rod (to Block Scraper)	20329
8	Stainless Steel Upper Bearing	20531
9	Silicone OR 4081 Ring	20338
10	Stainless Steel Bearing	20045
11	Rotating Basin	10184
12	Ring Nut for Rotating Ring	10182
13	Spacer	Currente Version 10519
13	Spacer	Till s/n. 377385 20321
14	Fixed Basin	C10185
15	Water Inlet Ring	20851
16	Screw	20849
17	Evaporator Chamber Shield	Current Version 10523
17	Evaporator Chamber Shield	Till s/n. 377385 10187
19	1 Way- Water Inlet Nipple	10239
20	Discharges Manifold	C10384
22	Complete Rotating Ring	C10180
23	Joint	20335
24	Sprayer Ring	C20858
24	Sprayer Ring	Till s/n. 377385 C20319
25	Evaporator	Current Version C20844
25	Evaporator	Till s/n. 377385 KITNEVM350
26	Bush	Till s/n. 261851 20405
27	Nut	Till s/n. 261851 20404

Parts for Mixed Cooled Version Only

Ref.	Spare Description	Code
18	Lt. 1,2 Flow Control for Water Inlet Connector	10011
21	Connection with Plate	C20462

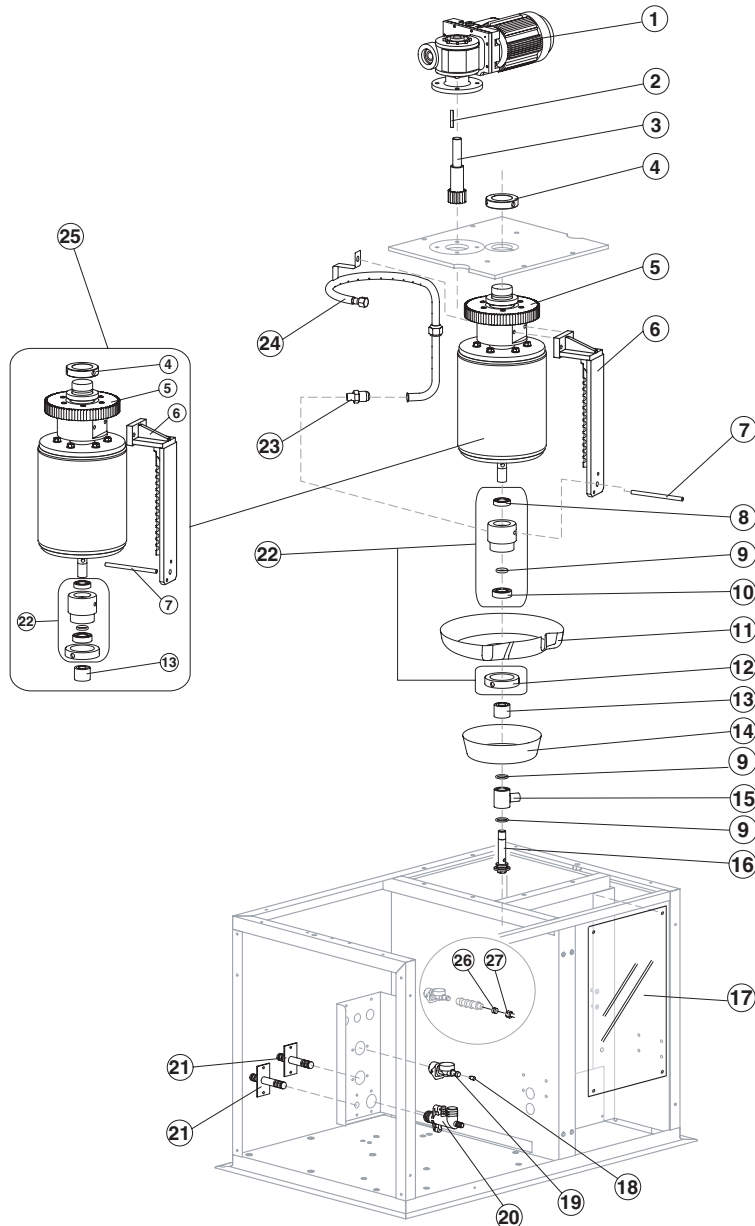
Parts for Water-Cooled Version Only

Ref.	Spare Description	Code
21	Connection with Plate	C20462

Ref. 1- Gearmotor assy

Tension	Code
220/240V 50 Hz	C23412
220/230V 60Hz	C23389

Rev. 6 - 04/07/2007





Common Parts

Ref.	Spare Description	Code
1	Gearmotor Assy	C23363
2	Cylinder Locking Ring Nut	20324
4	Key 6x6x40	20350
5	Pinion with Shaft for Gearmotor	C20344
6	Ring Gear	20354
7	Evaporator	KITNEVM350
8	Scraper	20330
9	Sprayer Ring	C20319
10	Stainless Steel Upper Bearing	20531
11	Silicone OR 4081 Ring	20338
12	Stainless Steel Bearing	20045
13	Complete Rotating Ring	C10180
14	Joint	20335
15	M8 Tie Rod (to Block Scraper)	20329
16	Rotating Basin	10184
17	Ring Nut for Rotating Ring	10182
18	Spacer	20321
19	Fixed Basin	C10185
21	1 Way- Water Inlet Nipple	10239
24	Overflow Pipe	13082
25	Evaporator Chamber Shield	10187
26	Baffle Plate	10421
27	Bush	20405
28	Nut	20404

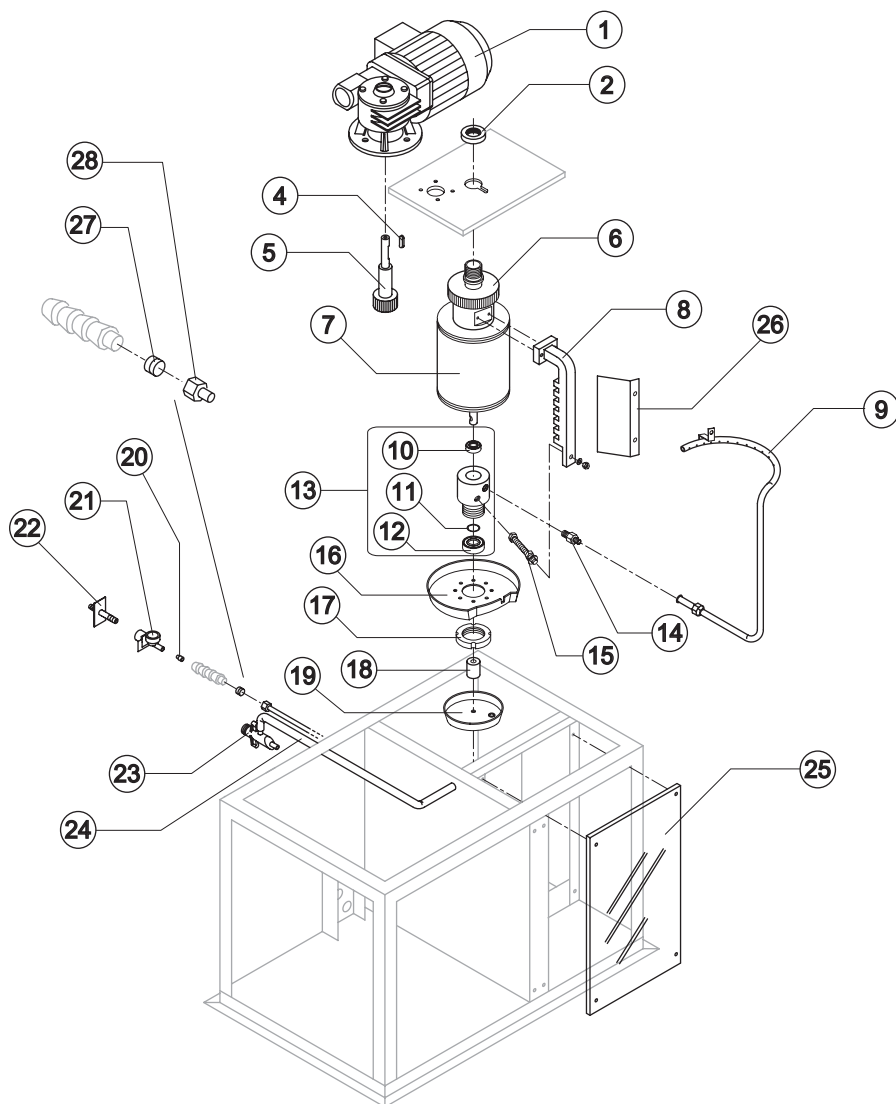
Parts for Air-Cooled Version Only

Ref.	Spare Description	Code
22	Connection with Plate	C20462
23	Discharges Manifold	C10052

Parts for Mixed Cooled Version Only

Ref.	Spare Description	Code
20	Lt. 1,2 Flow Control for Water Inlet Connector	10011
23	Discharges Manifold	C10053

Rev. 6 - 04/07/2007



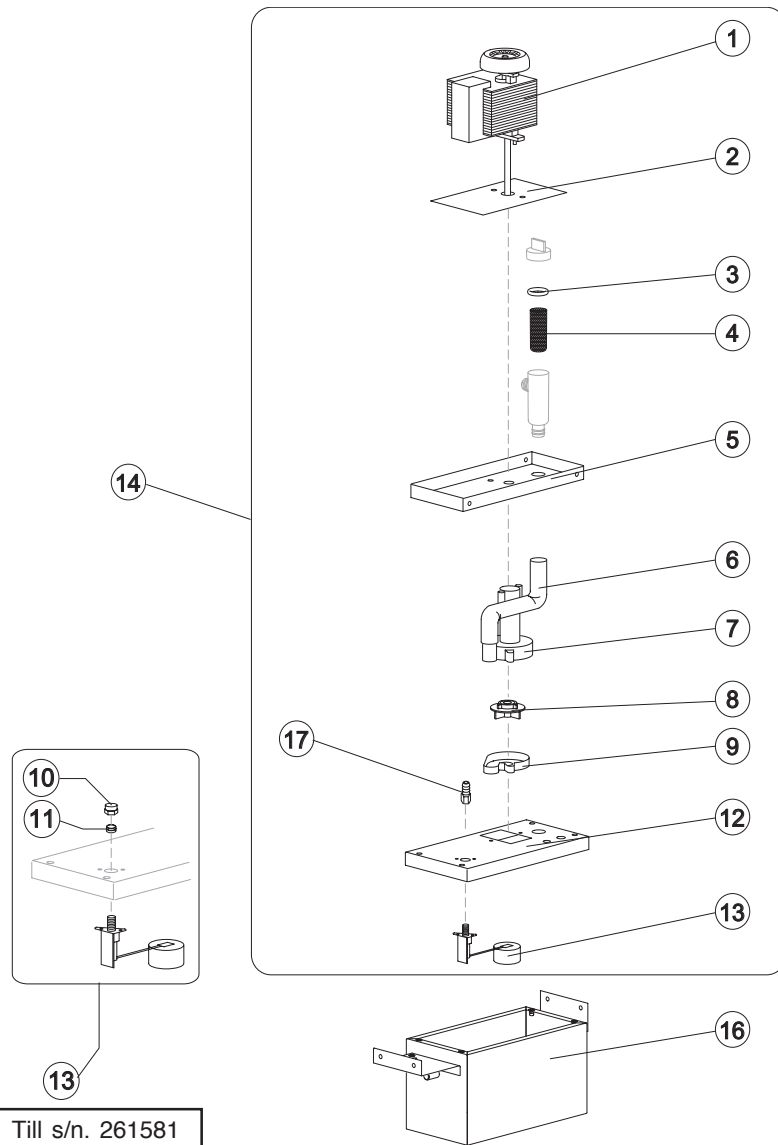


MUSTER 350

2nd Version M350A - M350W - M350A/W

1st Version M350A/W - M350W

PUMP



Ref.	Spare Description	Code
1	Pump	See Table -
2	Heat Dissipator	22430
3	Pump Filter Gasket	13080
4	Filtering Element	20254
5	Pump Motor Support	10161
6	Pump-Filter Connection Pipe	13084
7	Pump Body	10065
8	Pump Impeller	10190
9	Diffusor	10067
10	Nut	Till s/n. 261581 20404
11	Bush	Till s/n. 261581 20405
12	Water Pump Basin Cover	22420
13	Floating Valve	Current Version 10188
13	Floating Valve Assy	Till s/n. 261581 C10188
14	Pump and Filter Assy	See Table -
16	Water Pump Basin	C22419
17	Connection	20799

Ref. 1 - Pump Motor

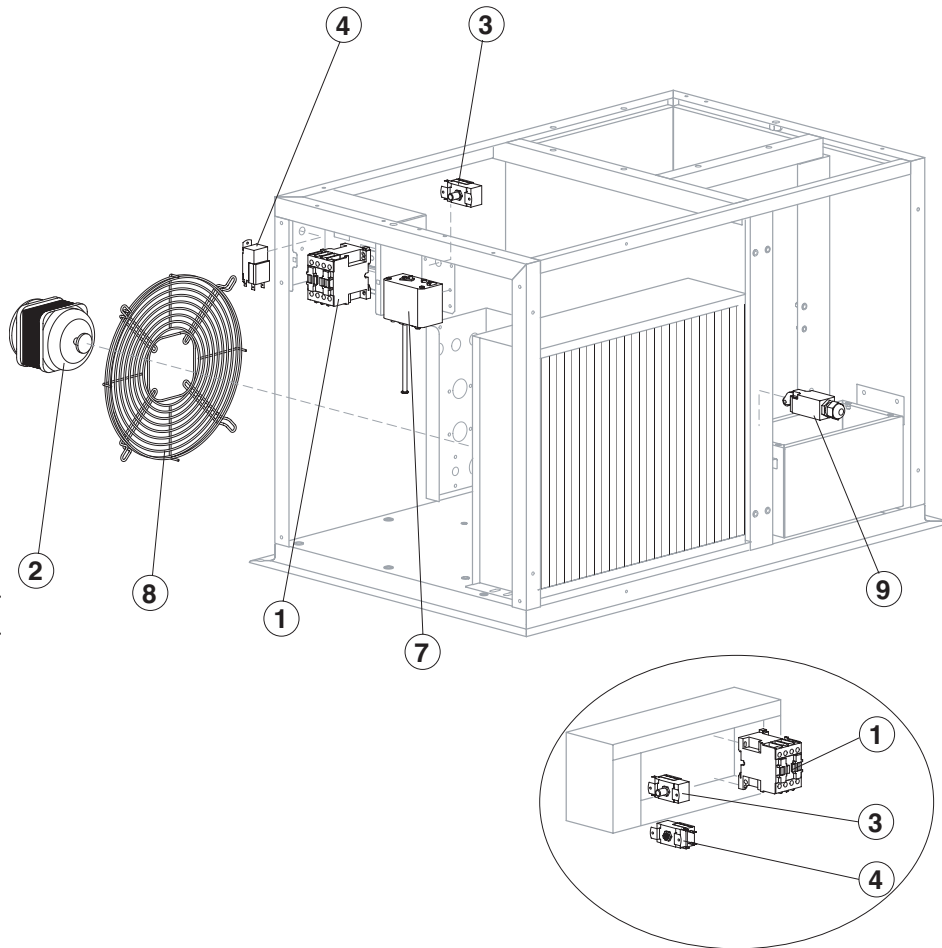
Tension	Code
220-240V 50 Hz	23073
220-230V 60 Hz	23187
230V 3 50 Hz	23073
400V 3N 50 Hz	23073
220-230V 3 60 Hz	23187

Ref. 14 - Pump and Filter Assy

Tension	Code	Till s/n. 377385
220-240V 50 Hz	C26736	C26557
220-230V 60 Hz	C26737	C26713
230V 3 50 Hz	C26736	C26557
400V 3N 50 Hz	C26736	C26557
220-230V 3 60 Hz	C26737	C26713



Ref. 14 - For ice-makers with s/n. before 261582 ask also the Nut (ref. 10) and the Bush (ref. 11).



Common Parts

Ref.	Spare Description	Code
1	Contacteur	23147
3	Safety Pressure Switch (Maximum Pressure)	23342
4	Bin Thermostat	R23421
7	Safety Pressure Switch (Minimum Pressure)	23763
9	Microswitch for Overflow Ice	23746

Parts for Air-Cooled and Mixed Cooled Version Only

Ref.	Spare Description	Code
2	Fan Motor	23121
8	Fan Motor Grid	12056



Common Parts

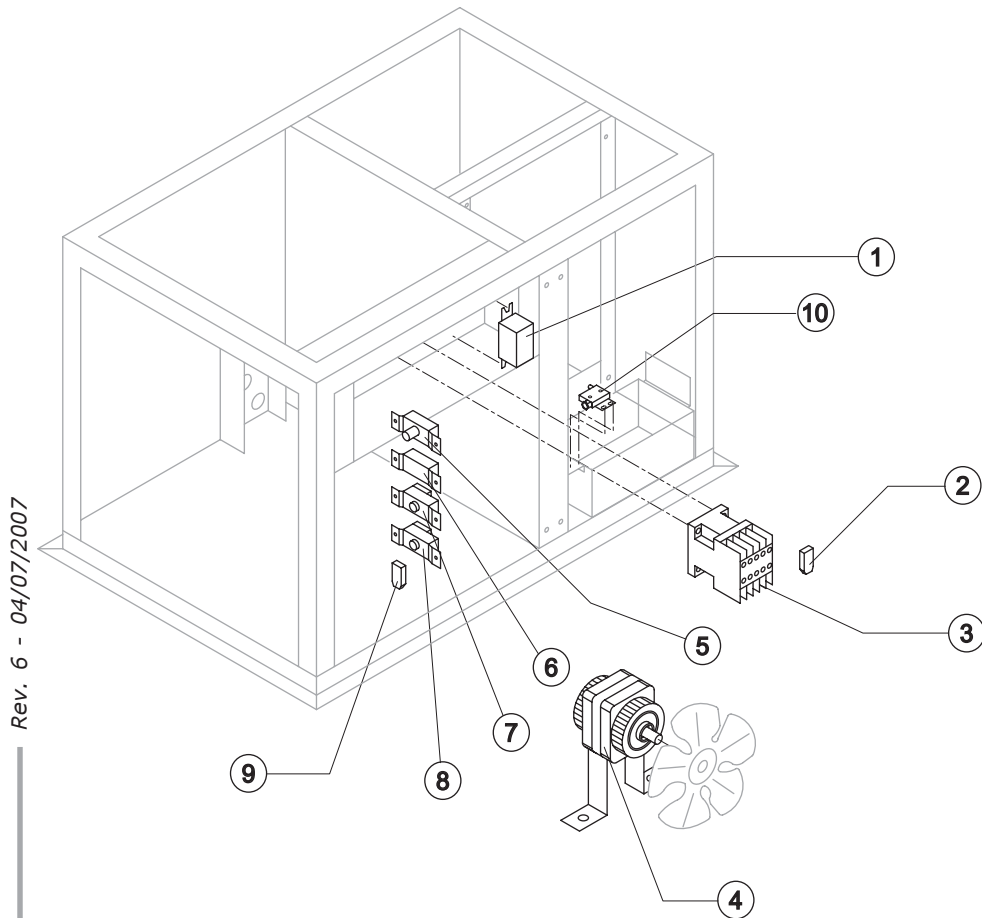
Ref.	Spare Description	Code
1	Relay	23190
2	Anti Radio Interference Filter 220-240V 50 Hz e 400V 3N 50 Hz	C23458
3	Contactore	23147
5	Safety Pressure Switch (Maximum Pressure)	23342
7	Safety Thermostat	R23447
8	Bin Thermostat	R23421
10	Microswitch for Overflow Ice	23373

Parts for Water-Cooled Version Only

Ref.	Spare Description	Code
4	Fan Motor	23029

Parts for Mixed Cooled Version Only

Ref.	Spare Description	Code
4	Fan Motor	23121
6	Condenser Pressure Switch	23175
9	Anti Radio Interference Filter 220-240V 50 Hz e 400V 3N 50 Hz	C23459



Rev. 6 - 04/07/2007