

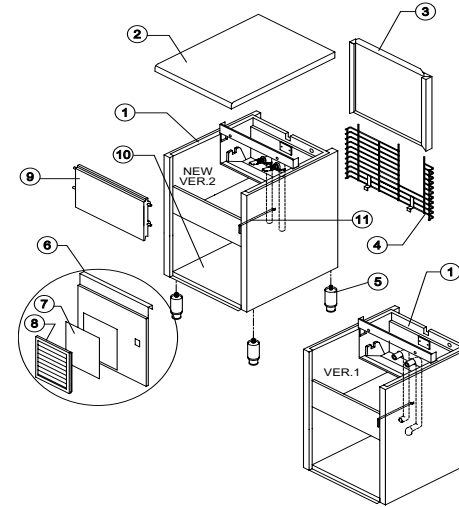


# CB 955

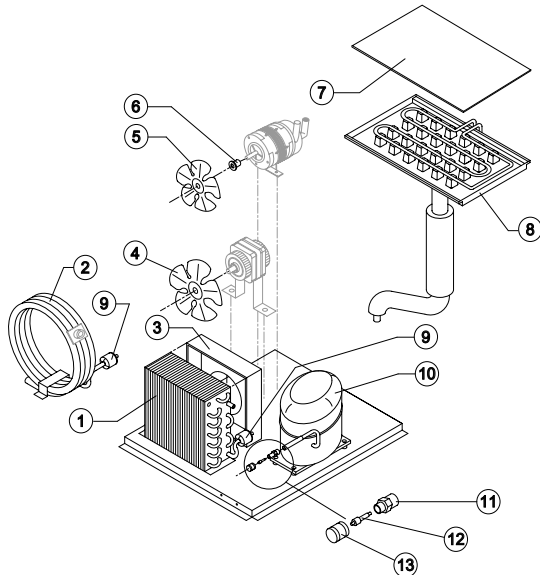
# LIST OF THE EXPLODED VIEWS



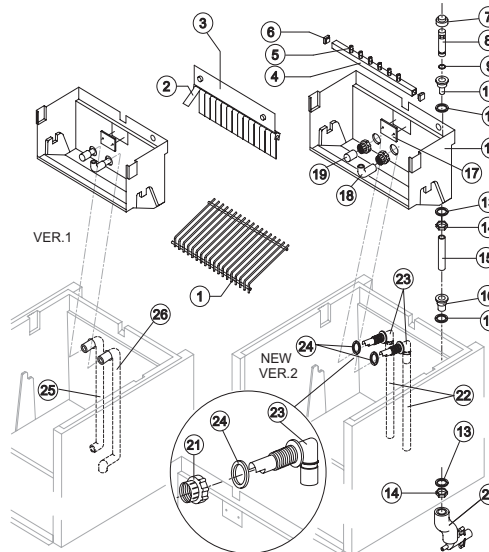
## SHELL ASSY



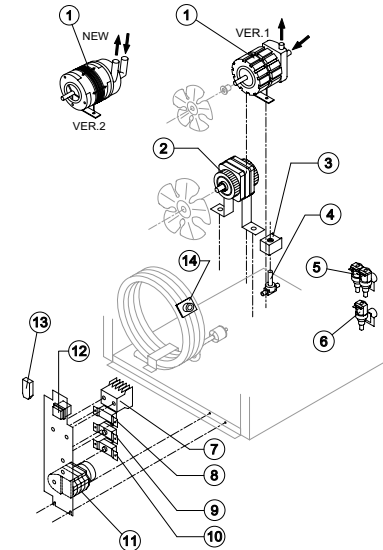
## COOLING SYSTEM



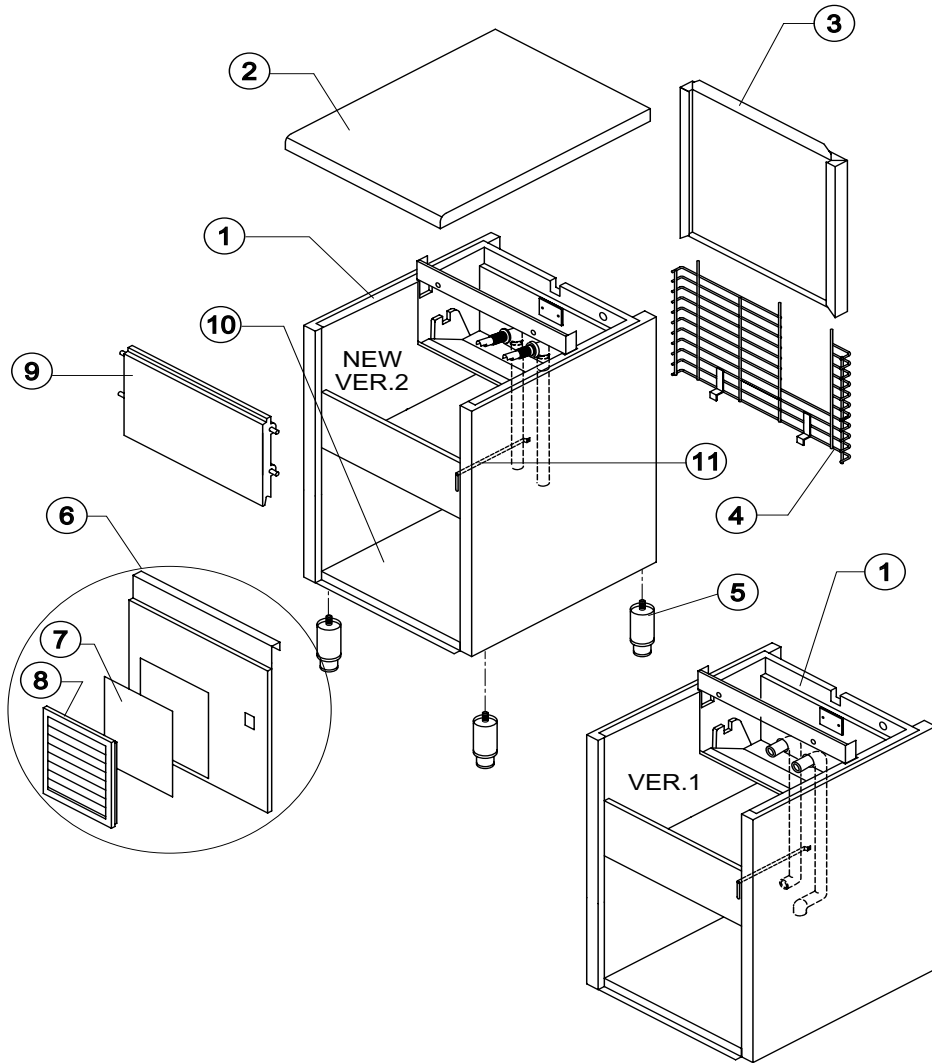
## HYDRAULIC CIRCUIT



## ELECTRIC PARTS



Rev. 3 - 2/7/2003



Rev. 3 - 2/7/2003

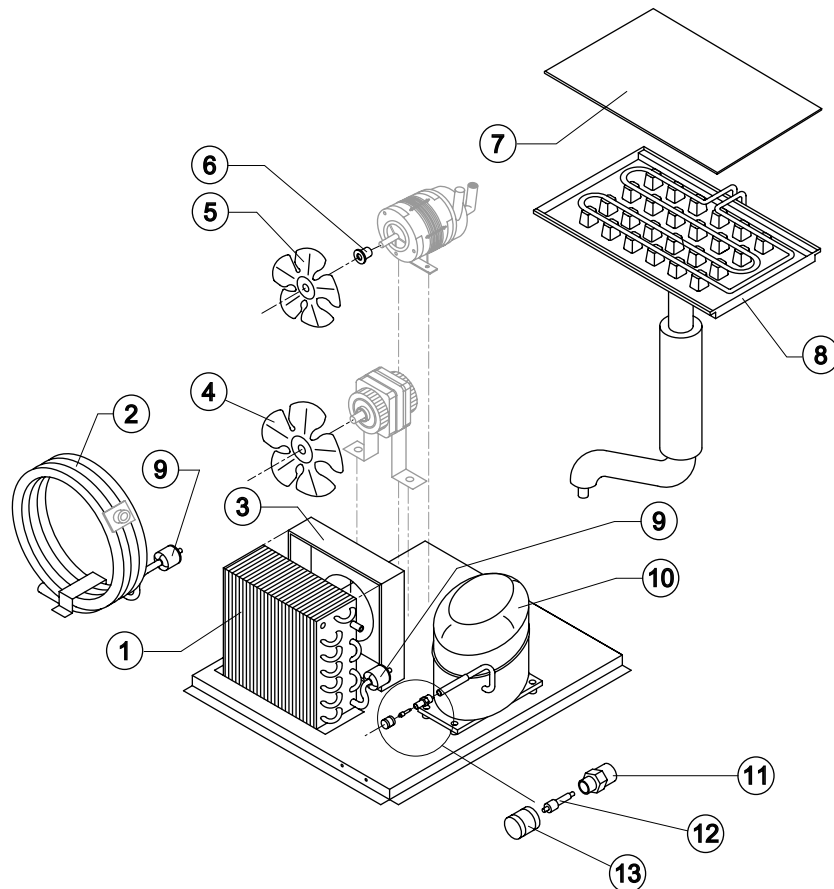
Ref.	Spare Description	Code
1	Foamed Cabinet Assy	See Table
2	Top Assy	C22673
3	Back Panel Assembly	C22268
4	Rear Grid	D12015
5	Stainless Steel Foot Adjustable	Current Version
5	ABS Foot	Fino a Matr. 142209
6	Front Grid Panel	Current Version
6	Front Panel	Till s/n. 29519
7	Filtering Panel	18106
8	Frame with Grid & Filter	C10205
9	Door Assy	C10275
10	Base Plate	Current Version
10	Base Plate	Till s/n. 142209
11	BulbThermostat Pipe	20520

**Ref. 1 - Foamed Cabinet Assy**  
Version 1

Kind of Cube	Code
18 g. (Standard)	C11040/E
33 g. (Big)	C11040/E
13 g. (Small)	C11040/ED

**Ref. 1 - Foamed Cabinet Assy**  
Version 2

Condensation	Code
Air	C11040A
Water	C11040W



### Common Parts

Ref.	Spare Description	Code
5	Suction Fan	10213
6	Hub for the Fan Fixing	10014
7	Evaporator Cover	10039
8	Evaporator	See Table
9	Solid Core Drier	14089
10	Compressor	See Table
11	Vacuum Charge Valve Body	14007
12	Vacuum Charge Valve Device	14005
13	Vacuum Charge Valve Plug	14006

### Parts for Air-Cooled Version Only

Ref.	Spare Description	Code	
1	Air Condenser	Current Version	20264
1	Air Condenser	Till s/n 27646	20030
3	Air Condenser Conveyor	Current Version	10163
3	Air Condenser Conveyor	Till s/n 27646	10085
4	Suction Fan		20031

### Parts for Water-Cooled Version Only

Ref.	Spare Description	Code
2	Water Condenser	14034
4	Suction Fan	10213

### Ref. 8 - Evaporator

Kind of Cube	Code
18 g. (Standard)	D10047
33 g. (Big)	D10090
13 g. (Small)	D10418

### Ref. 10 - Compressor

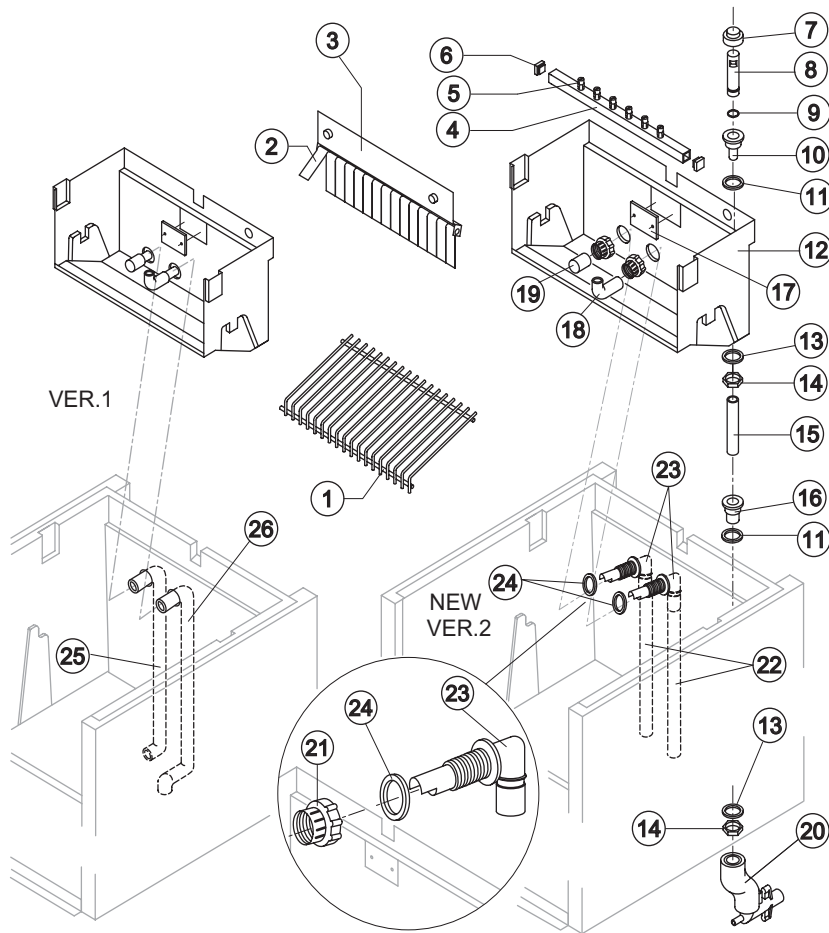
Tension	Code
220/240V 50 Hz	23444
220/230V 60 Hz	23504
110/115V 60 Hz	23553

**!** Ref. 8 - For ice makers made in version 1 (for "small size" ice cube only) ask, beside the Evaporator, also the Evaporator Support.



# CB 955

# HYDRAULIC CIRCUIT



### Common Parts

Ref.	Spare Description	Code
1	Ice Cubes Slide	See Table -
2	Flag	10005
3	Flags Support Assy	C22059
4	Sprayers Bar Assembly	See Table -
5	Sprayer	D20002
6	Sprayers Bar Plug	10012
7	Overflow Cap	10305
8	Overflow Pipe	10133
9	OR Gasket for Overflow Pipe	20233
10	Overflow Pipe Nipple	10241
11	Silicone Gasket	13006
12	Inner Basin	10034
13	Semirigid Polyethylene Gasket	13007
14	Bin Discharge Nut	10096
15	Overflow Pipe	Current Version 13110
15	Overflow Pipe	Till s/n 62553 13060
16	Plastic Nipple Water Outlet	10007
17	Slide Keep Plate	10009
18	Sprayers Feeding Pipe	13005
19	Pump Suction Filter	20005
21	Fittings Locking Ring	Version 2 10405
22	Pump Suction/Delivery Pipe	Version 2 13141
23	Fitting of the Pump Suction/Delivery Pipes	Version 2 10404
24	Gasket for Suction Line/Pump Delivery	Version 2 13143
25	Pump Suction Pipe	Version 1 13059
26	Pump Delivery Pipe	Version 1 13058

### Ref. 1 - Ice Cubes Slide

Kind of Cube	Code
18 g. (Standard)	D12017
33 g. (Big)	D12031
13 g. (Small)	D12039

### Ref. 4 - Sprayers Bar Assy

Kind of Cube	Code
18 g. (Standard)	C20058
33 g. (Big)	C20156
13 g. (Small)	C20190

### Parts for Air Cooled Version Only

Ref.	Spare Description	Code
20	Discharges Manifold	C10006

### Parts for Water Cooled Version Only

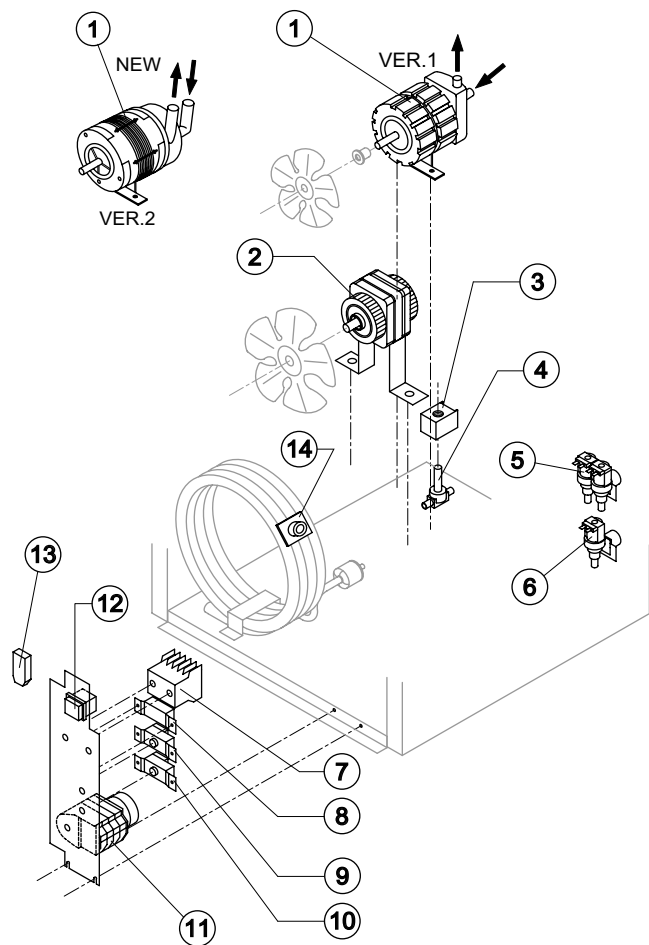
Ref.	Spare Description	Code
20	Discharges Manifold	C26452

Rev. 3 - 2/7/2003



# CB 955

# ELECTRIC PARTS



### Common Parts

Ref.	Spare Description	Code
1	Pump	See Table -
2	Fan Motor	See Table -
3	Hot Gas Coil	See Table -
4	Hot Gas Valve Body	Current Version 20410
4	Hot Gas Valve Body	Till s/n. 27646 20409
7	Contactor	Only 110V 60 Hz 23595
8	Condenser Pressure Switch	23175
9	Bin Thermostat	23005
10	Evaporator Thermostat	23591
11	Timer	See Table -
12	Green Light Switch	23327

### Parts for Air-Cooled Version Only

Ref.	Spare Description	Codice
6	Inlet Watervale 1 Way	See Table -
13	Anti Radio Interference Filter	Only 220V 50 Hz 23459

### Parts for Water-Cooled Version Only

Ref.	Spare Description	Codice
5	Inlet Watervale 2 Ways	See Table -
13	Anti Radio Interference Filter	Only 220V 50 Hz 23457
14	Safety Thermostat	C23114

### Ref. 1 - Pump

Tension	Version 1	Version 2
220/240V 50 Hz	23002	23377
220/230V 60 Hz	23002	23377
110/115V 60 Hz	23264	23663

### Ref. 2 - Fan Motor

Tension	Air	Water
220/240V 50 Hz	23067	23029
220/230V 60 Hz	23681	23029
110/115V 60 Hz	23621	23683

### Ref. 3 - Hot Gas Coil

Tension	Code
220/240V 50 Hz	23091
220/230V 60 Hz	23091
110/115V 60 Hz	23256

### Ref. 5 - Inlet Watervale 2 Ways

Tension	Code
220/240V 50 Hz	23010
220/230V 60 Hz	23010
110/115V 60 Hz	23261

### Ref. 6 - Inlet Watervale 1 Way

Tension	Code
220/240V 50 Hz	23001
220/230V 60 Hz	23001
110/115V 60 Hz	23260

### Ref. 11 - Timer

Tension	18 g Cube	33 g Cube	13 g Cube
220/240V 50 Hz	23222	23248	23247
220/230V 60 Hz	23248	23396	23247
110/115V 60 Hz	23259	23397	23258

Rev. 3 - 2/7/2003