

# **MF900RC Parts List**

## **Table of Contents**

**Cabinet**

**Refrigeration**

**Water System**

**Gear Motor**

**Evaporator**

**Spout**

**Remote condenser**

**Control Box**

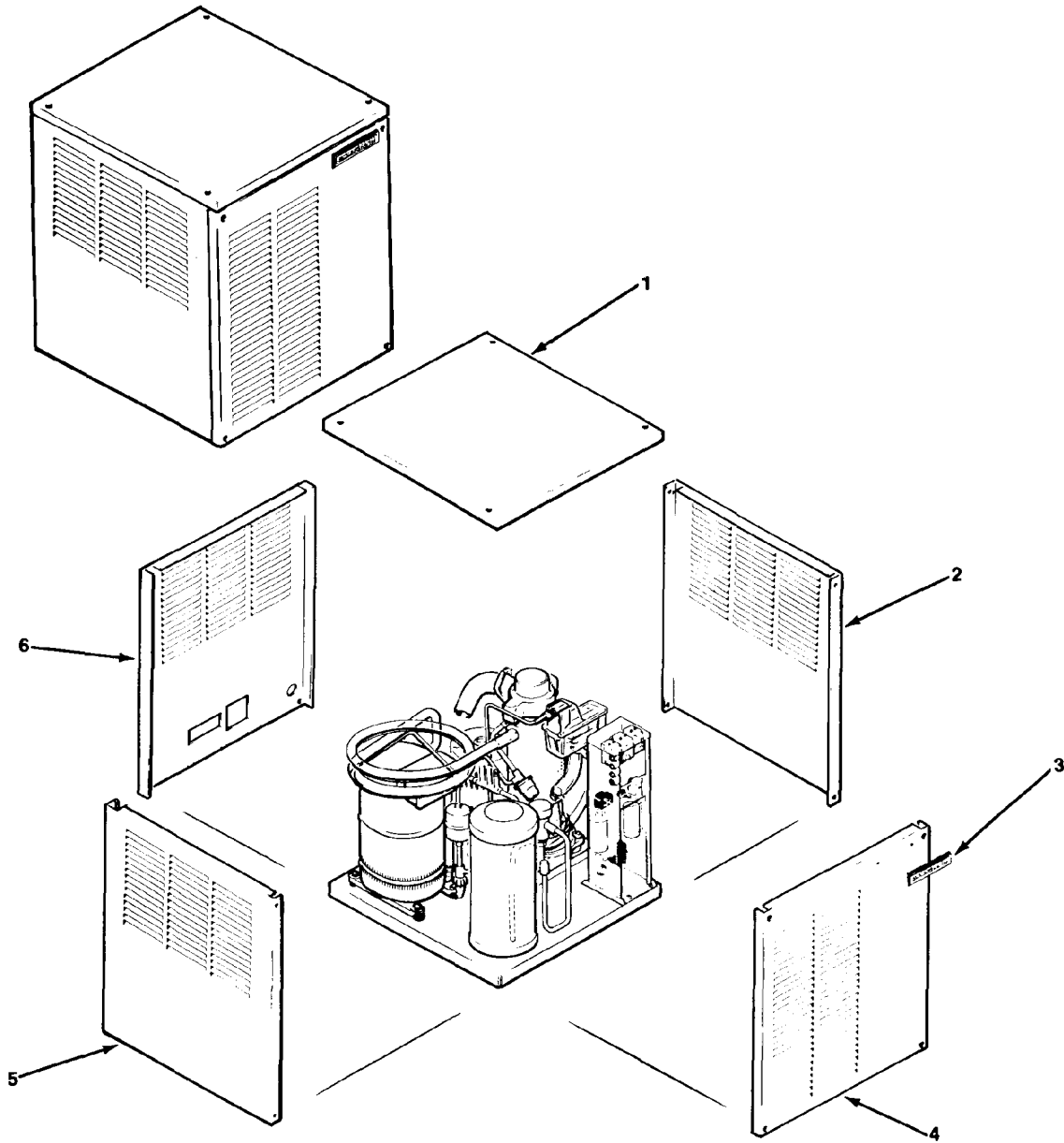
**Wiring Diagrams**

**MF900RC**  
**PARTS ILLUSTRATIONS AND PARTS LISTS**

**CABINET ASSEMBLY**

<b>ITEM NUMBER</b>	<b>PART NUMBER</b>	<b>DESCRIPTION</b>
1	A26625-003	Top Panel, Enamel
	A26625-002	Top Panel, Stainless Steel
	Attaching Parts	
	03-1423-06	(6) Speed Nut
	03-1419-22	(6) Screws #8 x 1" Stainless Steel
	03-1417-15	(6) Lockwasher #5
2	A26866-003	Right Side Panel, Enamel
	A26866-002	Right Side Panel, Stainless Steel
	Attaching Parts	
	03-1404-09	(2) Screw #8 x 1/2
	03-1507-00	(2) Speed Nut
	03-1417-03	(2) Lockwasher #8
3	15-0718-01	Scotsman Emblem
4	A26865-003	Front Panel, Enamel
	A26865-002	Front Panel, Stainless Steel
	Attaching Parts	
	03-1423-06	(4) Speed Nut
	03-1419-22	(4) Screw #8 x 1" Stainless Steel
	03-1417-15	(4) Lockwasher #8
5	A26864-003	Left Side Panel, Enamel
	A26864-002	Left Side Panel, Stainless Steel
	Attaching Parts	
	03-1404-09	(2) Screw #8 x 1/2
	03-1507-00	(2) Speed Nut
	03-1417-03	(2) Lockwasher #8
6	A30796-001	Rear Panel, Enamel
	A30796-002	Rear Panel, Stainless Steel
	Attaching Parts	
	03-1404-09	(2) Screw #8 x 1/2
	03-1417-03	(2) Lockwasher #8

**MF900RC**  
**PARTS ILLUSTRATIONS AND PARTS LISTS**

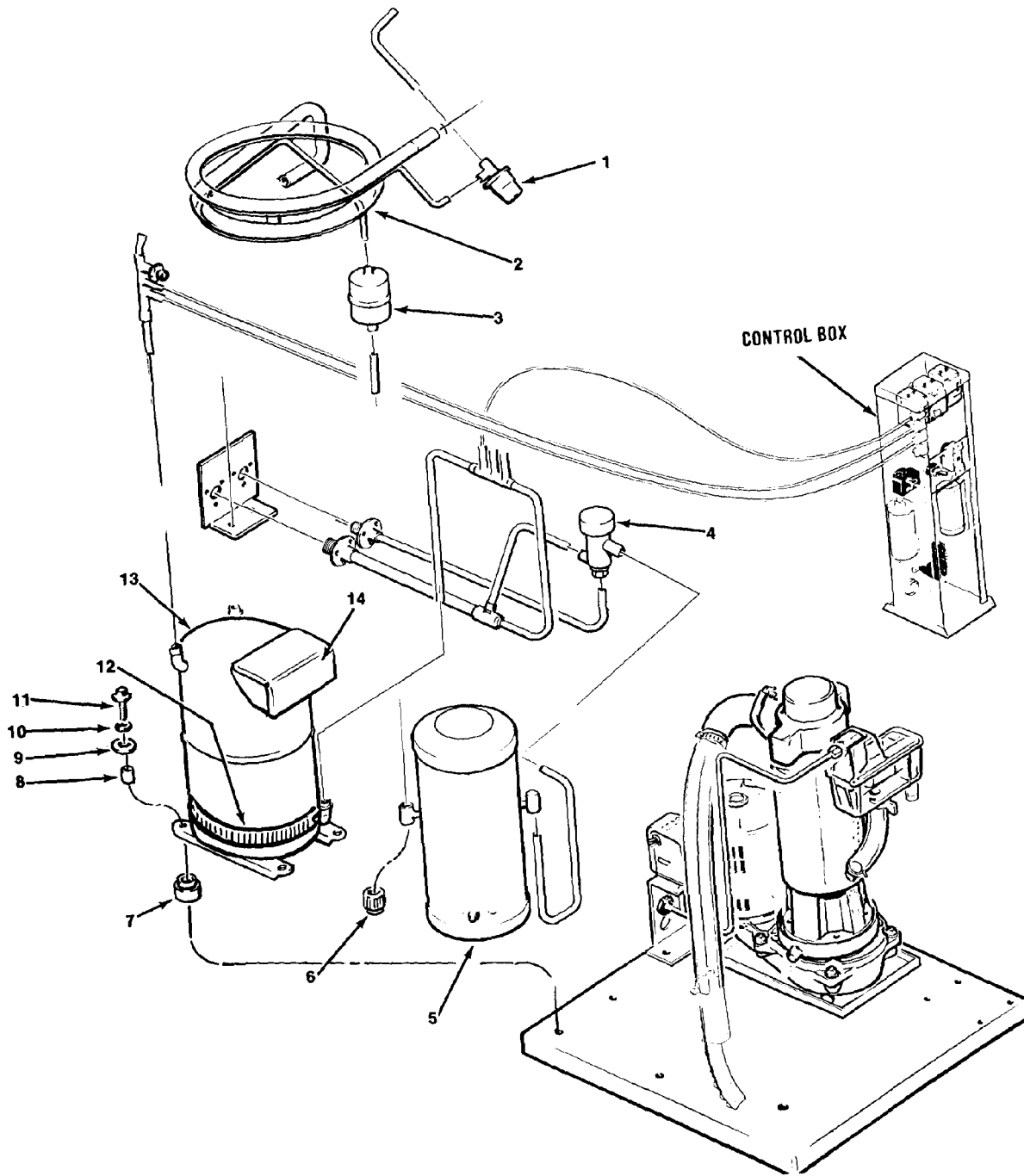


**MF900RC**  
**PARTS ILLUSTRATIONS AND PARTS LISTS**

**REFRIGERATION SYSTEM**

<b>ITEM NUMBER</b>	<b>PART NUMBER</b>	<b>DESCRIPTION</b>
1	11-0416-01	Expansion Valve
2	<i>No Number</i>	Heat Exchanger Assembly (Comes with Freezer)
3	02-0544-01	Drier
4	11-0422-01	Head Pressure Regulator
5	16-0768-01	Receiver
	Attaching Parts	
	03-1410-05	Lockwasher 3/8
	03-1406-12	Nut 3/8-16
6	<i>No Number</i>	King Valve
7	18-2300-27	Grommet
8	18-2300-26	Sleeve
9	03-1408-29	Washer
10	03-1417-12	Lockwasher 5/16
11	03-1405-40	Screw 5/16-18 x 1-3/4
12	12-1868-02	Crankcase Heater
13	18-3800-02	Compressor 230/60/1
	18-3800-03	Compressor 208/220/3
	18-3800-07	Compressor 208/60/1
14	18-2300-25	Overload 230/60/1
	18-2300-32	Overload 208/60/1

**MF900RC**  
**PARTS ILLUSTRATIONS AND PARTS LISTS**

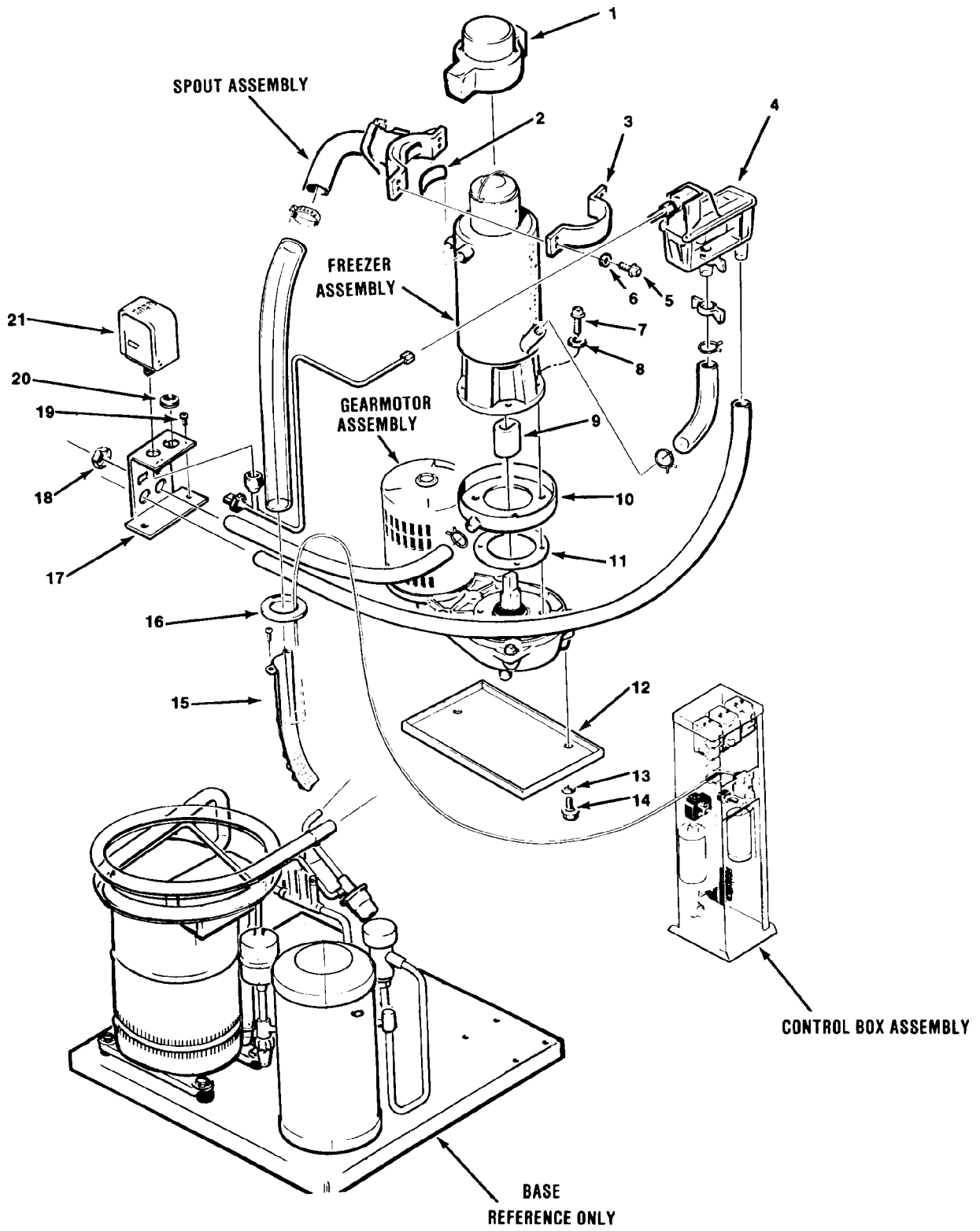


**MF900RC**  
**PARTS ILLUSTRATIONS AND PARTS LISTS**

**WATER SYSTEM**

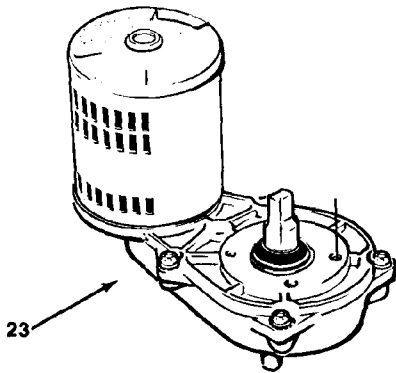
<b>ITEM NUMBER</b>	<b>PART NUMBER</b>	<b>DESCRIPTION</b>
1	13-0809-01	Freezer Cap
2	02-1437-00	Spout Gasket
3	A24928-001	Spout Plate
4	02-2217-01	Reservoir
5	03-1544-03	Screw, 1/4-20 x 1
6	03-1417-07	Lockwasher, 1/4
7	03-1420-01	Screw, 5/16-18 x 7/8 S.S.
8	03-1420-03	Screw, 5/16-18 x 1-1/4 S.S.
9	15-0573-01	Coupling
10	A21290-000	Drip Pan
11	13-0704-00	Gasket
12	A28207-001	Motor Plate
13	03-1410-04	Lockwasher, 5/16
14	03-1408-35	Washer
	03-1420-03	Screw, 5/16-18 x 1-1/4 S.S.
15	A30487-001	Bin Thermo Bracket
16	13-0806-01	Sealing Pad
17	A27993-001	Utility Bracket
18	03-1394-00	Pal Nut
19	03-1360-00	Screw, #10-16 x 3/4
20	12-1213-10	Snap Bushing
21	11-0296-00	Lo Pressure Control (Water)

**MF900RC**  
**PARTS ILLUSTRATIONS AND PARTS LISTS**



# MF900RC

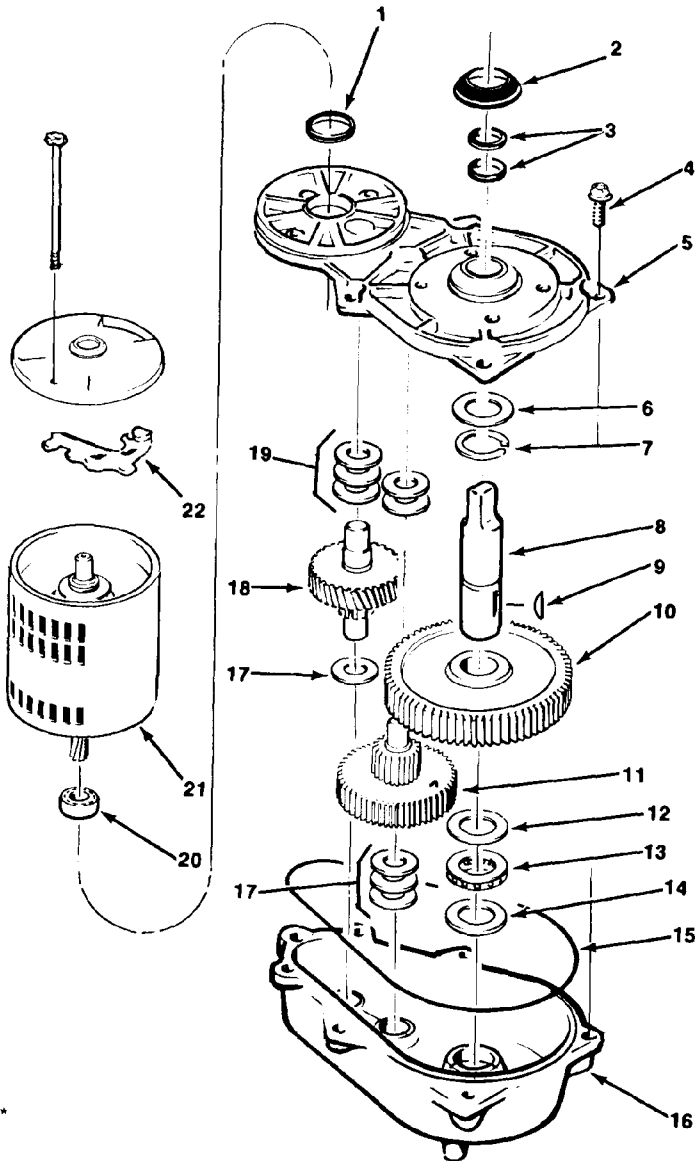
## PARTS ILLUSTRATIONS AND PARTS LISTS



\*NOTE: Torque cover mounting screws 250-300 inch pounds.

### DRIVE MOTOR ASSEMBLY

ITEM NUMBER	PART NUMBER	DESCRIPTION
1	02-1606-00	Oil Seal
2	13-0709-02	Water Shed
3	02-1607-01	Oil Seal
4	03-1251-01	Screw
5	A31230-001	Gear Case Cover Assembly*
6	02-1681-00	Thrust Race
7	03-1363-00	Retaining Ring
8	02-1652-00	Shaft, Output
9	03-1364-00	Key
10	02-1653-00	Gear, Output
11	02-2071-00	Third Pinion Assembly, Second Gear and
12	02-1681-00	Thrust Race
13	02-1680-00	Bearing
14	02-1679-00	Thrust Race
15	A26103-001	"O" Ring
16	A31230-001	Gear Case Assembly Bottom*
17	03-1408-24	Washer
18	02-2072-00	Second Pinion Assembly, First Gear and
19	03-1408-24	Washer
20	12-1741-20	Bearing (Emerson)
	12-1741-24	Bearing (General Electric)
21	A26455-002	Drive Motor
22	12-1741-22	Switch, Start (Emerson)
	12-1741-28	Switch, Start (General Electric)
23	A24317-022	Gearmotor Assembly Complete (230 Volt)
24	A25835-001	Gearcase Oil (1) Pint



\*NOTE: Gearcase cover and bottom are sold as a set only. Order Part Number A31230-001

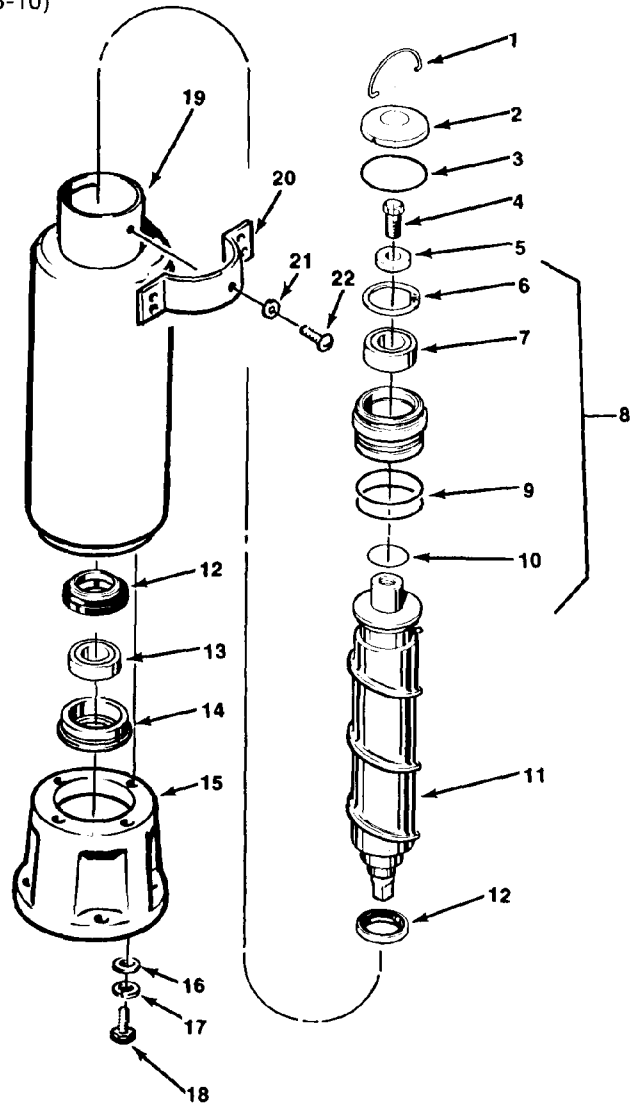


# MF900RC

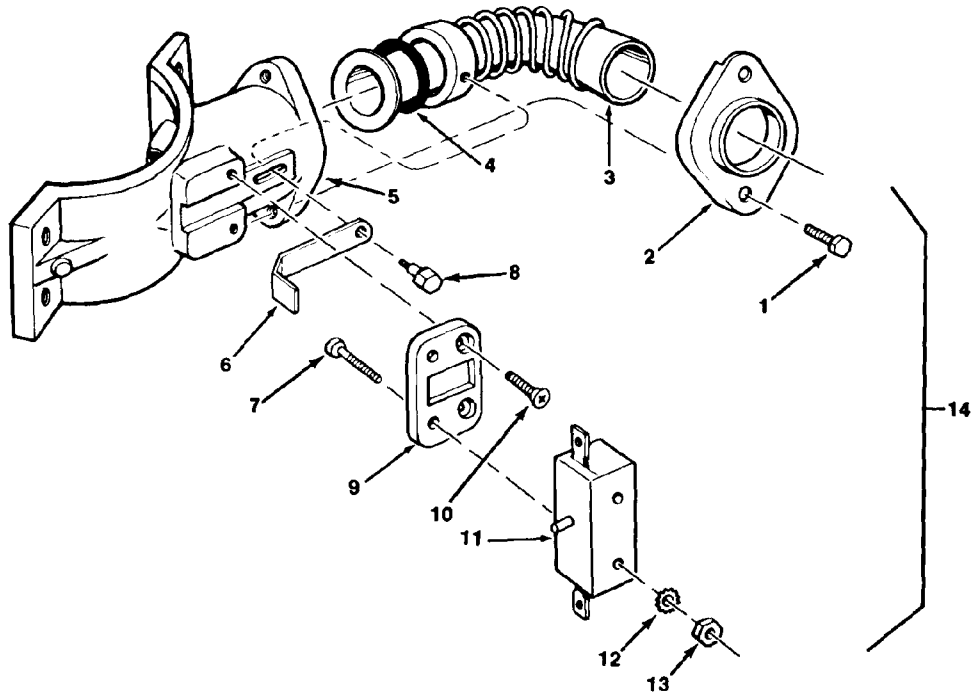
## PARTS ILLUSTRATIONS AND PARTS LISTS

### FREEZER ASSEMBLY

ITEM NUMBER	PART NUMBER	DESCRIPTION
1	A08582-000	Breaker Hook
2	A08581-000	Freezer Cap
3	13-0617-20	"O" Ring
4	03-1405-36	Screw
5	A06273-000	Washer
6	03-1558-04	Retainer Ring
7	02-0646-00	Bearing
8	A26708-001	Bearing Retainer (Includes Items 6-10)
9	13-0617-40	"O" Ring
10	13-0617-15	"O" Ring
11	A29467-001	Auger
12	02-0929-01	Water Seal
13	02-0619-00	Bearing
14	A10591-000	Bearing Retainer
15	02-1629-00	Adapter
16	03-1410-04	Washer
17	03-1408-03	Washer
18	03-1420-03	Screw
19	A29767-020	Freezer
20	A24928-001	Spout Plate
21	03-1409-20	Washer
22	03-1506-03	Screw



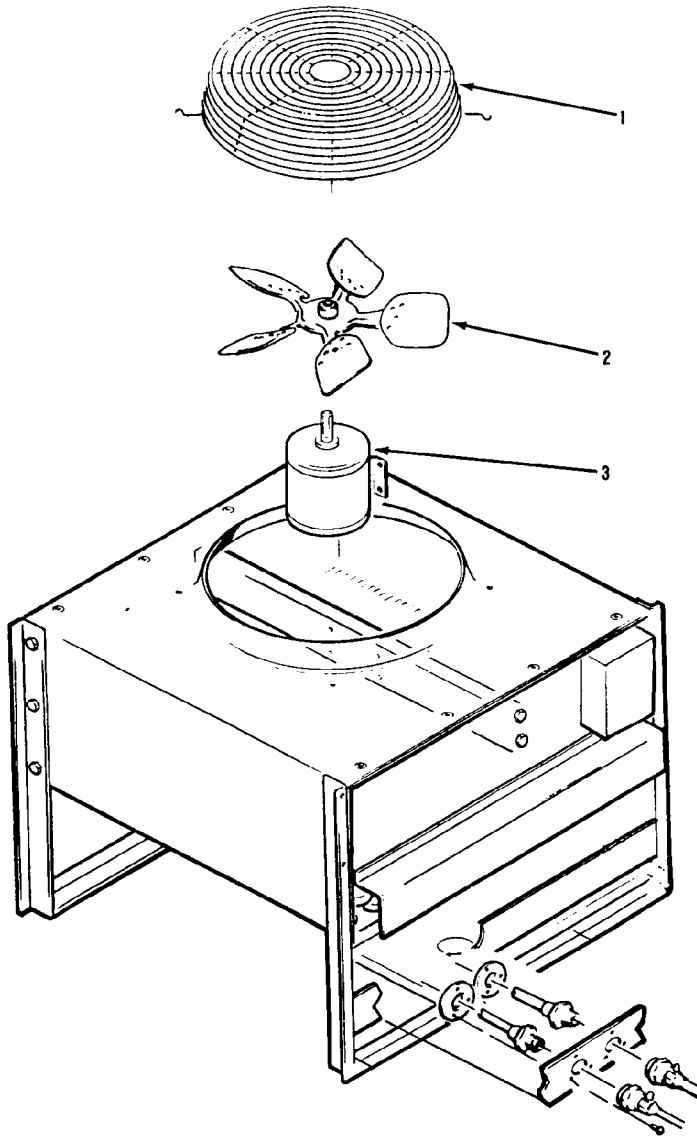
**MF900RC**  
**PARTS ILLUSTRATIONS AND PARTS LISTS**



**SPOUT ASSEMBLY**

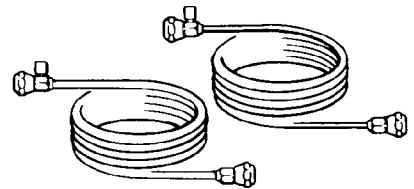
ITEM NUMBER	PART NUMBER	DESCRIPTION
1	03-1405-02	Screw 1/4-20 x 3/8 Hex Head Cap
2	A29041-001	Retainer Plate
3	02-2490-01	Tube, Ice Discharge
4	13-0617-43	"O" Ring
5	A29050-001	Spout
6	A29429-001	Actuator, Switch
7	03-1418-38	Screw No. 6-32 x 1 Flat Head Machine Phil Recess
8	A25305-001	Screw, Shoulder
9	02-2377-01	Barrier, Thermal
10	03-1418-01	Screw No. 6-32 x 3/8 Flat Head Machine - Phil Recess
11	12-1644-00	Switch
12	03-1417-01	Lockwasher No. 6 External Tooth Phosphor Bronze
13	03-1406-01	Nut No. 6-32 Hex Machine Screw
14	A29430-020	Complete Assembly

**MF900RC  
PARTS ILLUSTRATIONS AND PARTS LISTS**



**REMOTE CONDENSER RC151-32B  
RC302-32B**

ITEM NUMBER	PART NUMBER	DESCRIPTION
1	02-2618-01	Guard, Fan
2	18-3733-01	Blade, Fan
3	18-5301-01	Motor, Fan



**PRE-CHARGED TUBING KIT**

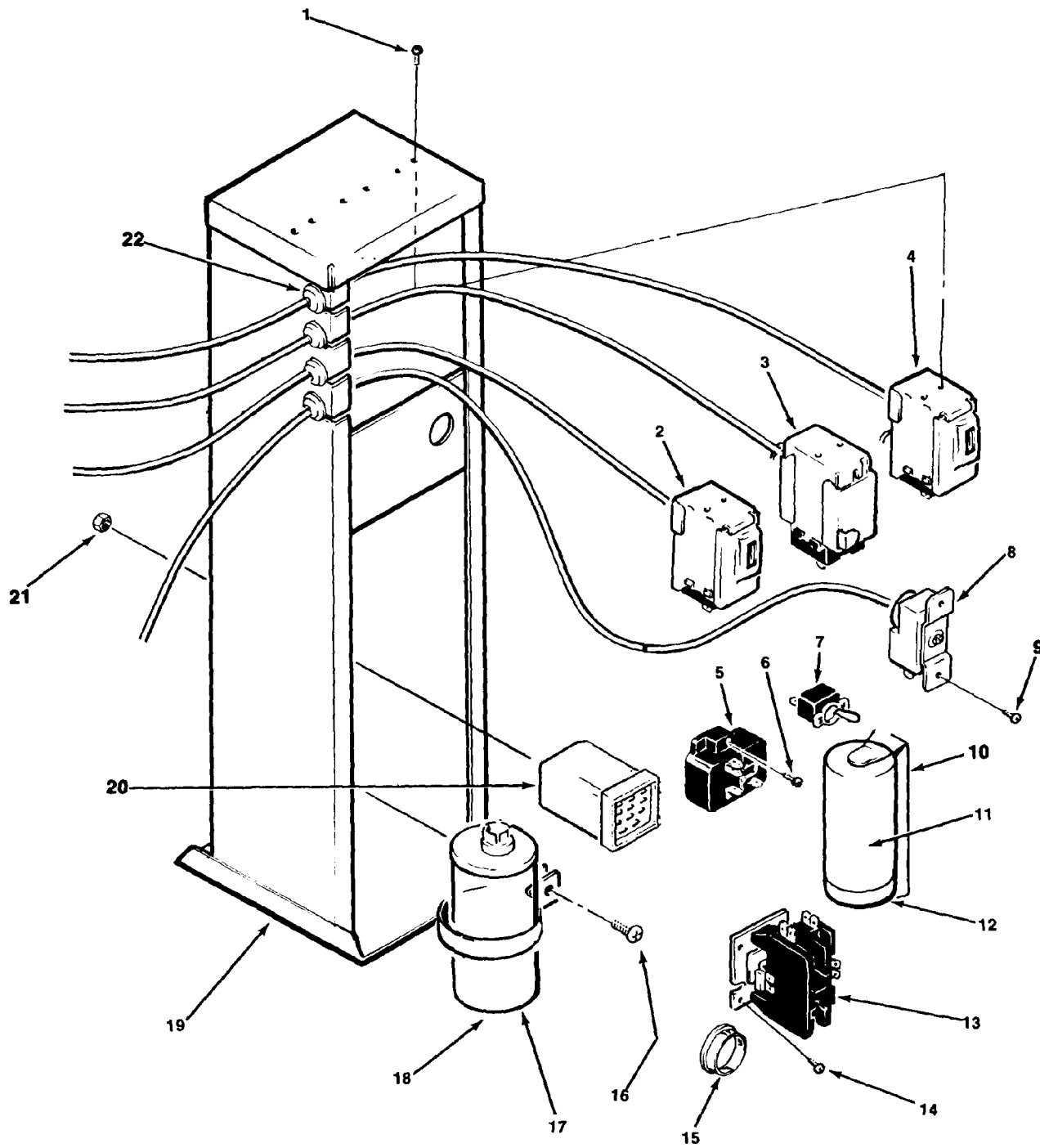
ITEM NUMBER	PART NUMBER	DESCRIPTION
1	RTCM225	25' Long
2	RTCM240	40' Long

**MF900RC**  
**PARTS ILLUSTRATIONS AND PARTS LISTS**

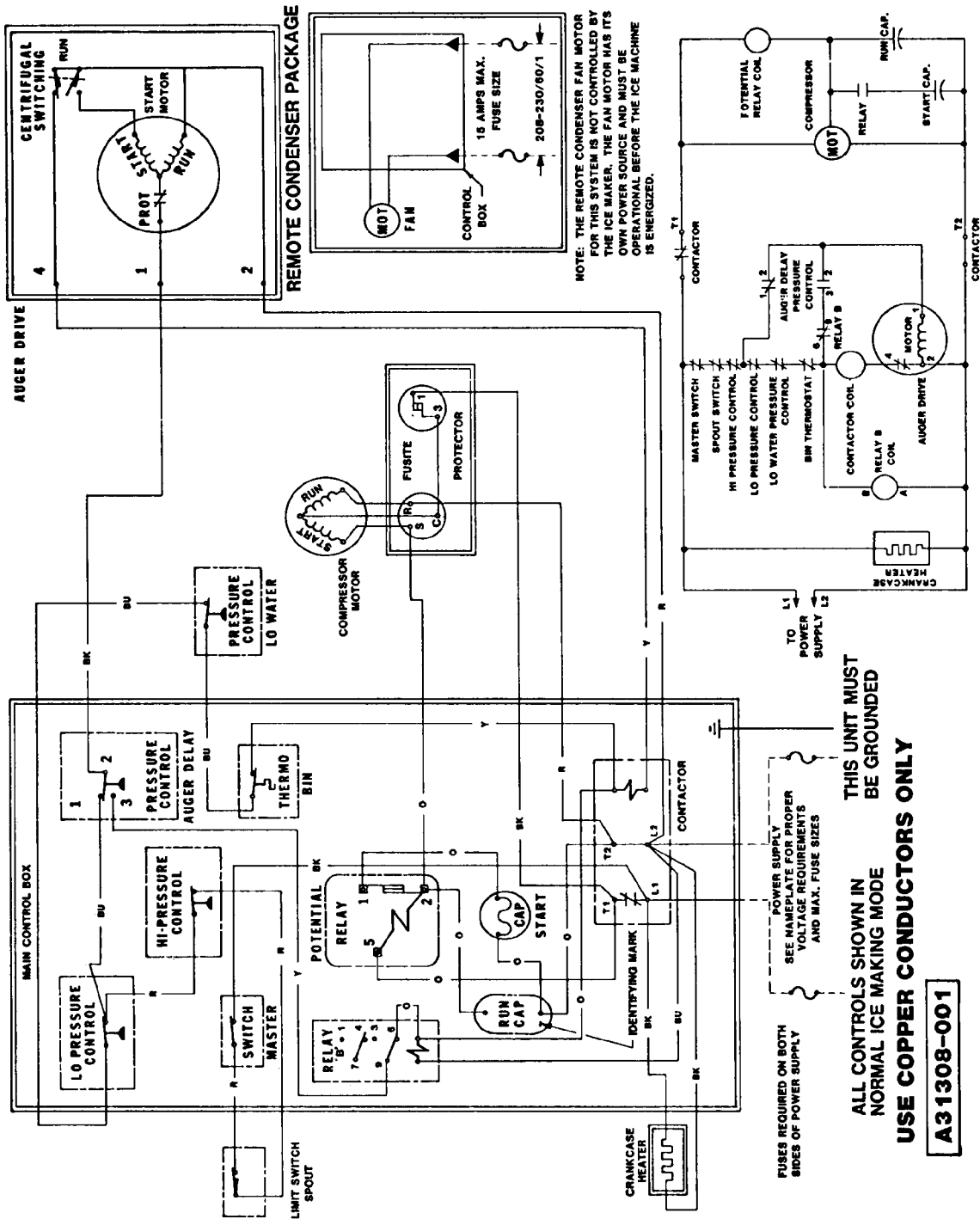
**CONTROL BOX**

<b>ITEM NUMBER</b>	<b>PART NUMBER</b>	<b>DESCRIPTION</b>
1	03-1403-02	Screw
2	11-0420-01	Low Pressure Control
3	11-0410-01	Hi Pressure Control
4	11-0402-01	Auger Relay Control
5	18-1903-29	Relay — 230/60/1
	18-1903-34	Relay — 208/60/1
6	03-1403-04	Screw
7	12-0426-01	Master Switch
8	11-0354-00	Bin Thermostat
9	03-1403-17	Screw
10	18-2200-39	Start Capacitor Bracket
11	18-1901-15	Start Capacitor — 230-208/60/1 & 230/60/1
12	18-3724-01	Capacitor Cap
13	12-2048-02	Contactor 230-208/60/1
	02-0739-02	Contactor 208-230/60/3
14	03-1403-17	Screw
15	12-1213-12	Snap Bushing
16	03-1403-23	Screw
17	<i>No Number</i>	Capacitor Bracket
18	18-1902-29	Run Capacitor — 230/60/1
	18-1902-34	Run Capacitor — 208/60/1
19	<i>No Number</i>	Control Box
20	12-2090-05	Relay
21	03-1406-01	Nut No. 6-32
22	13-0557-00	Grommet

MF900RC  
PARTS ILLUSTRATIONS AND PARTS LISTS



# MF900RC WIRING DIAGRAMS



Wiring Diagram 230/60/1 and 208/60/1

