



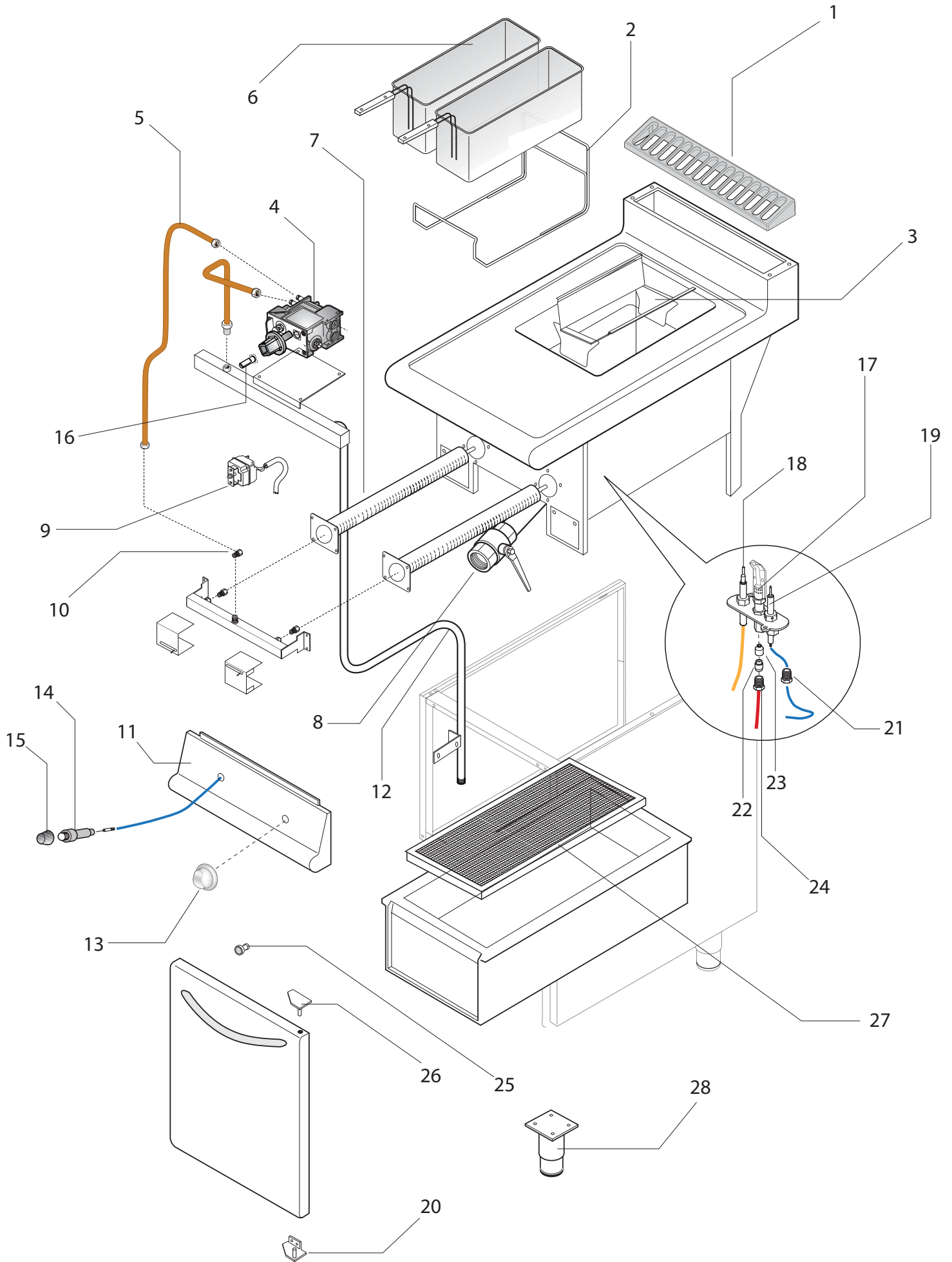
**Thermische Geräte Serie 900
Gas-Fritteuse**

Artikel-Nr. 144002 (9FRI/G415)

Explosionszeichnung / Ersatzteile

Bitte bei Ersatzteilbestellung immer Artikelnummer und Seriennummer mit angeben!

9FRI/G415



Series 900
Gas Fryer 9FRI/G415

Table_A

POS.	CODE	PIECES	DESCRIPTION	DATA	C
1	CR0901240	1	EXHAUSTING GRID		
2	BN9000363	1	BASKET SUPPORT		
3	BN9560600	1	OIL DEFLECTOR		
4	MACM097000	1	GAS VALVE		C
5	CR0905930	1	GAS VALVE-BURNER DUCT		
6	BN9000339	2	CHIPPS BASKET		
7	BN2519430	2	BURNER		
8	BN6A023020	1	OIL DRAIN VALVE		
9	BN9560360	1	SAFETY THERMOSTATE		C
10	TABLE B	1	BURNER NOZZLE		
11	CR0905880	1	CONTROL PANNEL		
12	CR0905920	1	GAS RAMP		
13	CR0905990	1	KNOB		C
14	BN6A041105	1	PIEZO STARTER		
15	BN826630420	1	COVER FOR PIEZO		
16	BN2518670	1	GAS VALVE-KNOB CONNECTION		C
17	BN6A013220	1	PILOT		C
18	BN6A011910	1	THERMOCOPY		C
19	BN6A013302	1	PILOT STARTER		C
20	BN2547871	1	TOP LEFT LOW RIGHT HINGE		C
21	MA1888400	1	NUT		
22	BN6A011706	1	BICONE		
23	TABLE B	1	PILOT NOZZLE		
24	BN6A011705	1	BICONE		
25	CR0587700	1	MAGNETE		C
26	BN2547870	1	TOP RIGHT LOW LEFT HINGE		C
27	CR0909420	1	OIL TANK		
28	MA6086113	4	FOOT ASSEMBLY		

C >>> Recommended exchange

Series 900

Table_B

POS	COD	QUANT	DIAM	GAS
10	BN2510411	1	ø 130	■
10	BN2510370	1	ø 115	•
10		1	ø 200	+
10	BN2510457	1	ø 210	■
10	BN10508	1	ø 230	▲ ■
10	BN2510382	1	ø 245	▼
23	BN6A013240	1	ø 16,2	○ ■
23	BN6A013230	1	ø 27,2	▲ ▼ ■ + ■

ID GAS | • G30/50 ■ G30÷31/37 ○ G30/28÷37
 | ■ G20/20 ▲ G25/25 ▼ G25/20 ■ G25.1/25 † G20/26
 | G110 8mbar G120 8mbar