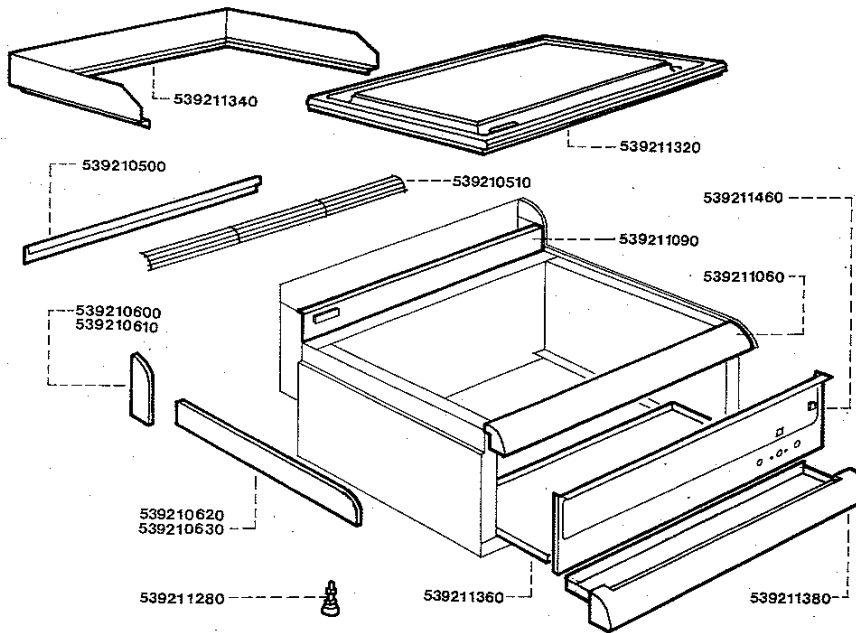
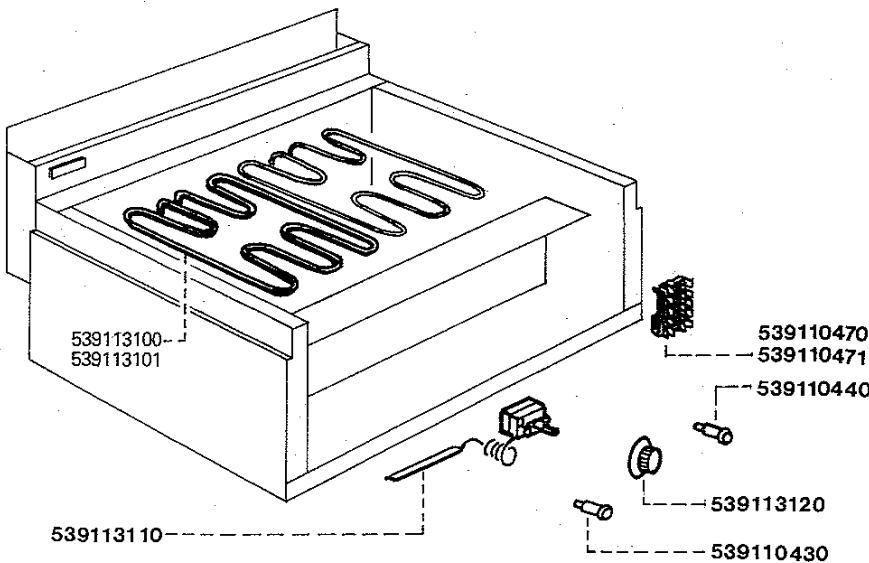


E350/35 GRIDDLE TOP



Fitments

Code No.	Description
9C 539210500	Flue Trim
11C 539210510	Flue Grid
12C 539210600	Rear Cheek—LH
12C 539210610	Rear Cheek—RH
7D 539210620	Side Cheek—LH
7D 539210630	Side Cheek—RH
1E 539211060	Hob Rail
4D 539211090	Flue Front
9A 539211280	Foot
8K 539211320	Griddle Plate
11D 539211340	Plate Surround
1E 539211360	Drip Tray
1G 539211380	Fat Drawer
6E 539211460	Control Panel



Controls

Code No.	Description
7B 539110430	Lamp Indicator (Amber)
7B 539110440	Lamp Indicator (Red)
4B 539110470	Terminal Block (L + N)
4B 539110471	Terminal Block (L2 + L3)
1F 539113100	Element—240V
1F 539113101	Element—220V
8F 539113110	Thermostat
5B 539113120	Knob for Thermostat
10F 539113121	Thermostat c/w Knob (Not illustrated)