



VM 500

LIST OF THE EXPLODED VIEWS

SHELL ASSY

COOLING SYSTEM

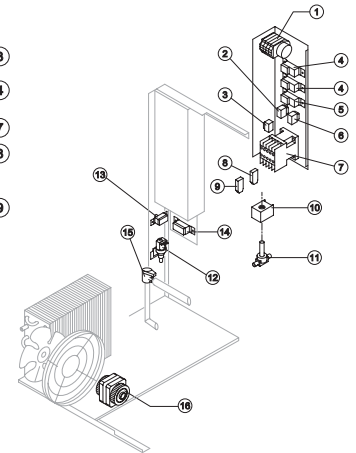
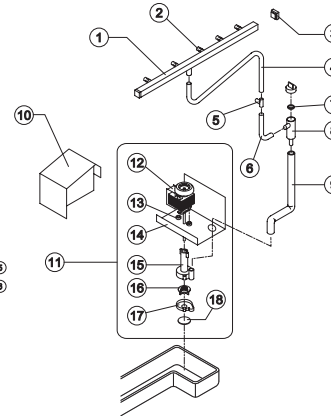
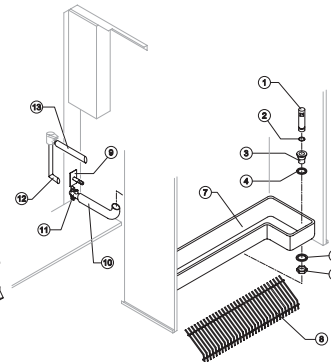
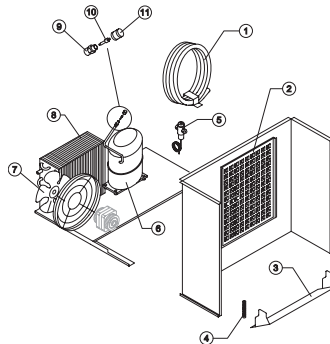
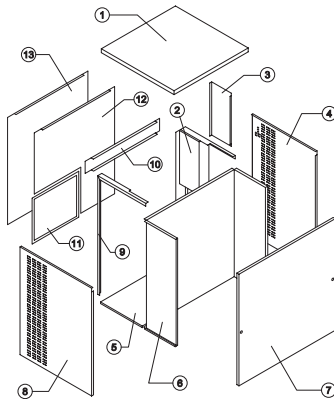
HYDRAULIC CIRCUIT

SPRAYER PUMP

ELECTRIC PARTS

2nd Version

From s/n.141196 up Today



SHELL ASSY

COOLING SYSTEM

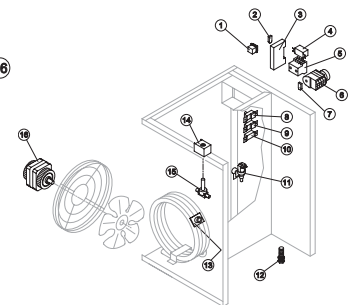
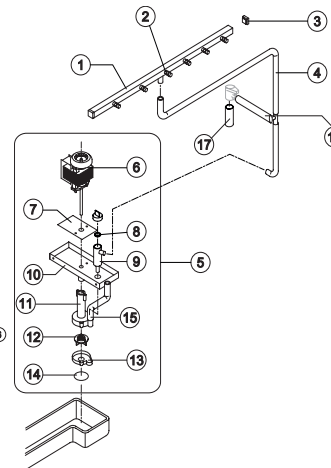
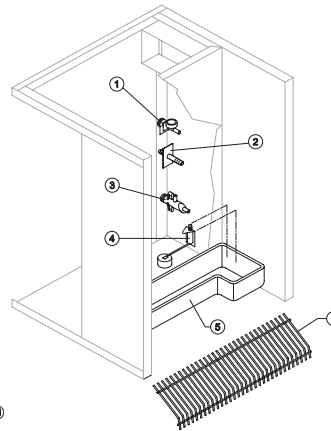
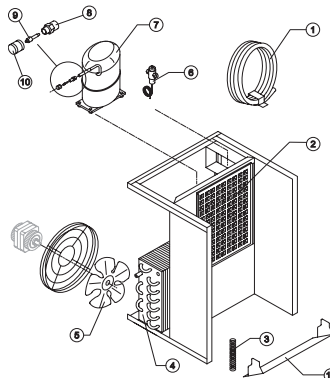
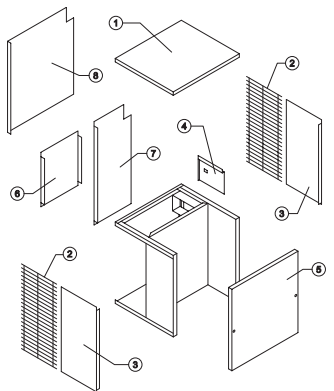
HYDRAULIC CIRCUIT

SPRAYER PUMP

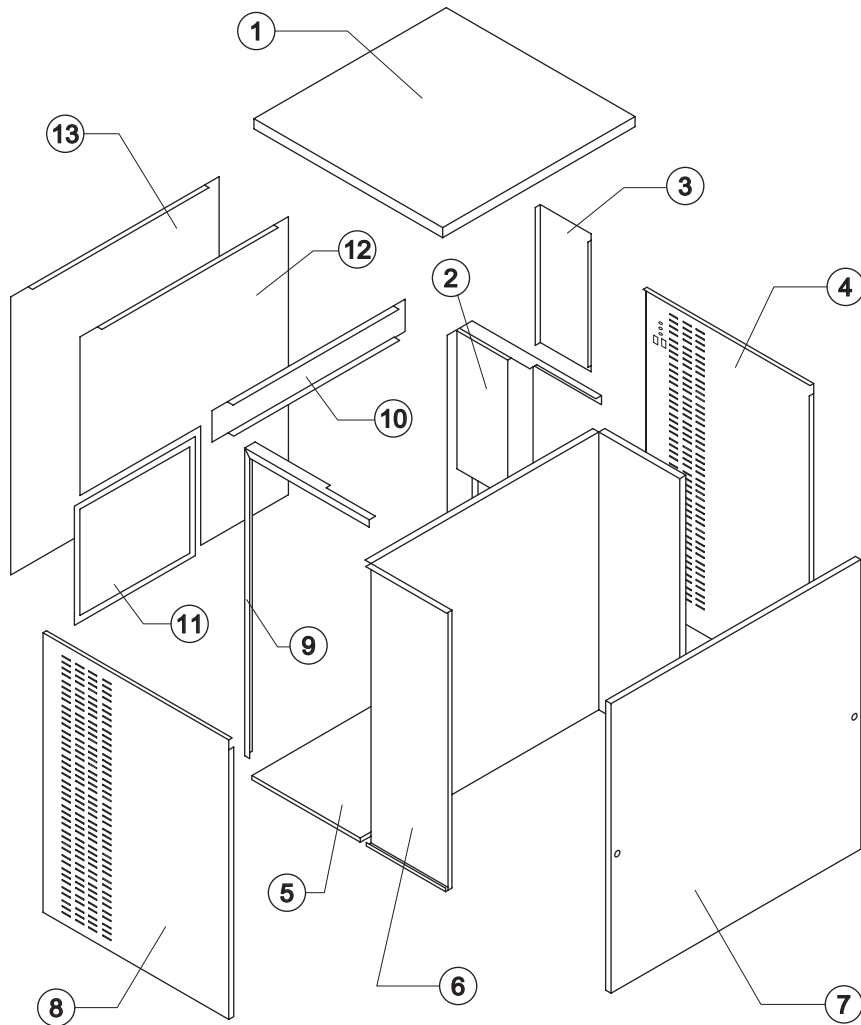
ELECTRIC PARTS

1st Version

Till s/n.141195



Rev. 3 - 2/7/2003



Rev. 3 - 2/7/2003

Common Parts

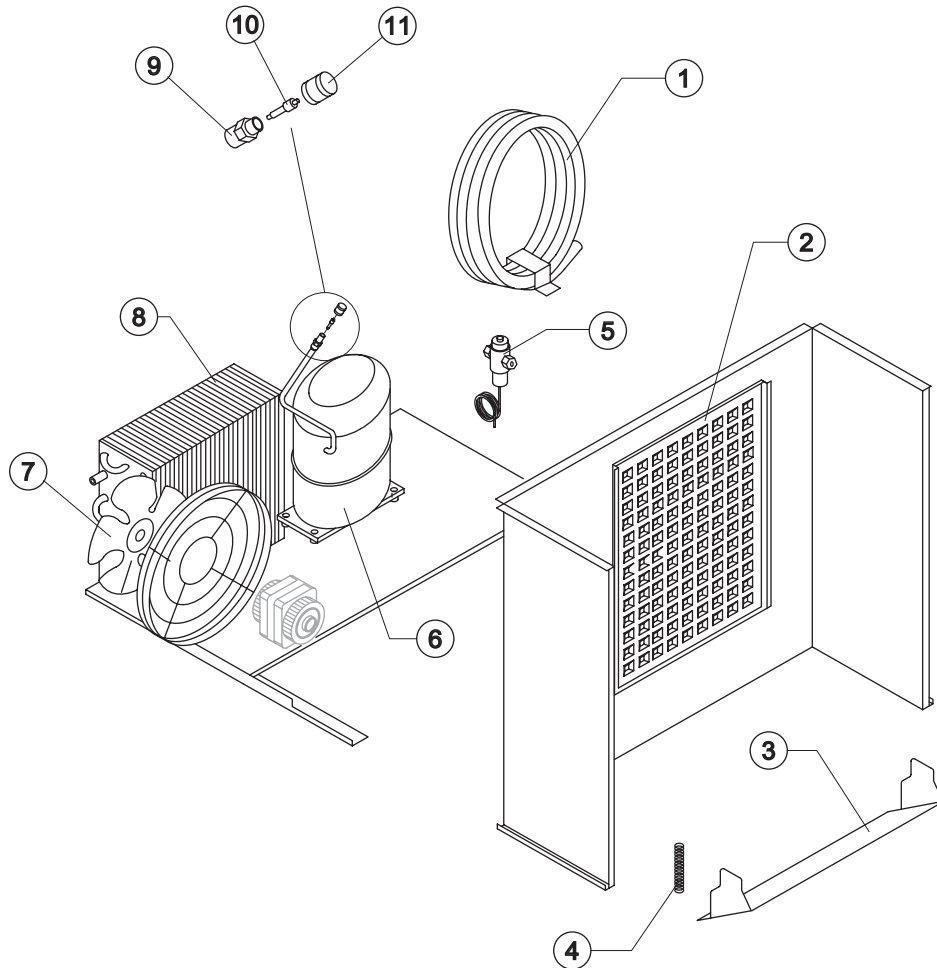
| Ref. | Spare Description | Code |
|------|--------------------------|--------|
| 1 | Top Assembly | C22813 |
| 2 | Right Bent | 22814 |
| 3 | Electrical Box Cover | 21274 |
| 4 | Right Side | 22821 |
| 5 | Base Plate | 22812 |
| 6 | Evaporator Housing Panel | 22819 |
| 7 | Front Panel Assembly | C22816 |
| 8 | Left Side | 22822 |
| 9 | Left Bent | 22820 |
| 10 | Back Transom | 22817 |

Parts for Air-Cooled Version Only

| Ref. | Spare Description | Code |
|------|-------------------|-------|
| 11 | Filter | 18163 |
| 12 | Back Panel | 21286 |

Parts for Water-Cooled Version Only

| Ref. | Spare Description | Code |
|------|-------------------|-------|
| 13 | Back Panel | 21285 |



Common Parts

| Ref. | Spare Description | Code |
|------|----------------------------|-----------|
| 2 | Evaporator | D10227 |
| 3 | Horizontally Hinged | 22608-3 |
| 4 | Spring | 20464 |
| 6 | Compressor | See Table |
| 9 | Vacuum-Charge Valve Body | 14007 |
| 10 | Vacuum-Charge Valve Device | 14005 |
| 11 | Vacuum-Charge Valve Plug | 14006 |

Parts for Air-Cooled Version Only

| Ref. | Spare Description | Code |
|------|-------------------|-------|
| 7 | Suction Fan | 20407 |
| 8 | Air Condenser | 20670 |

Parts for Water-Cooled Version Only

| Ref. | Spare Description | Code |
|------|-------------------|-------|
| 1 | Water Condenser | 14081 |
| 5 | Pressure Valve | 20210 |

Ref. 6 - Compressor

| Tension | Code | Notes |
|----------------|-------|------------------|
| 220/240V 50 Hz | 23543 | |
| 220/230V 60 Hz | 23642 | Current Version |
| 220/230V 60 Hz | 23593 | Till s/n. 189944 |

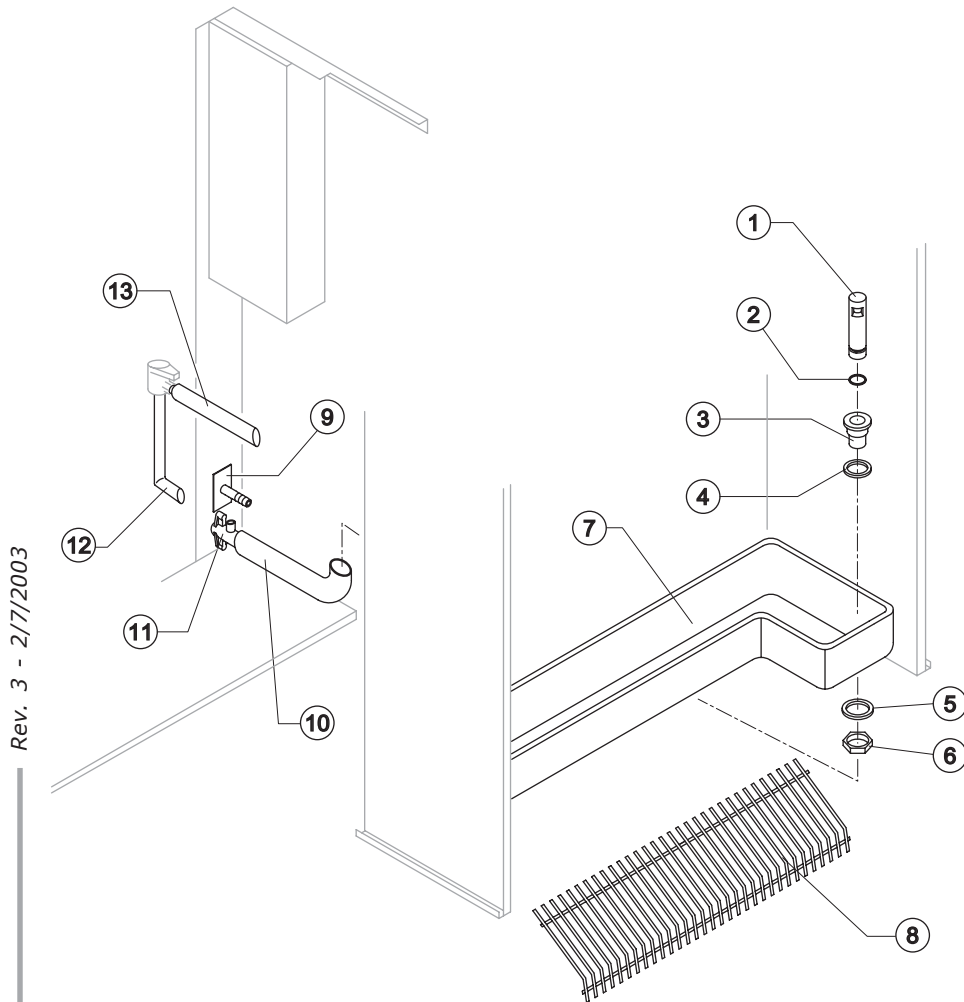


Common Parts

| Ref. | Spare Description | Code |
|------|--|--------|
| 1 | Overflow Pipe | 10133 |
| 2 | OR Gasket for Overflow Pipe | 20233 |
| 3 | Overflow Pipe Nipple | 10241 |
| 4 | Silicone Gasket | 13006 |
| 5 | Semirigid Polyethylene Gasket | 13007 |
| 6 | Bin Discharge Nut | 10096 |
| 7 | Water Basin | 10395 |
| 8 | Ice Cubes Slide | D12057 |
| 10 | Overflow Pipe Nipple | 13120 |
| 11 | Drain Nipple | 10431 |
| 12 | Discharge Valve Connection Pipe - Discharge | 13040 |
| 13 | Discharge Valve Connection Pipe ("T" Shaped) | 13102 |

Parts for Water-Cooled Version Only

| Ref. | Spare Description | Code |
|------|--------------------------|--------|
| 9 | Rubber Holder with Plate | C20462 |



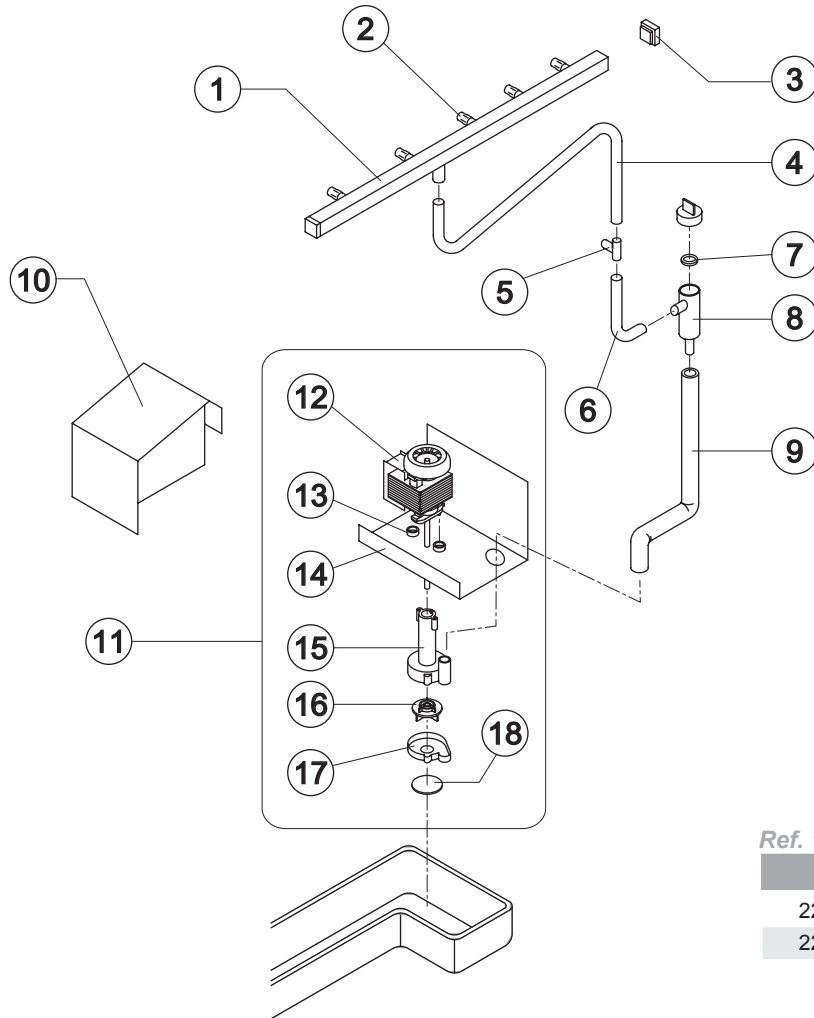
Rev. 3 - 2/7/2003



VM 500

2nd Version From s/n.141196 up Today

SPRAYER PUMP



| Ref. | Spare Description | Code | |
|------|--|-----------|-------|
| 1 | Sprayers Bar Assembly | C20465 | |
| 2 | Sprayer | D20002 | |
| 3 | Sprayers Bar Plug | 10012 | |
| 4 | Sprinkler Bar Connecting Pipe ("T" Shaped) | 13134 | |
| 5 | Plastic "T" ø 20 | 10082 | |
| 6 | Sprayers Feeding Pipe | 13005 | |
| 7 | Pump Filter Gasket | 13080 | |
| 8 | Pump Filter | 10139 | |
| 9 | Sylicon Pipe ø 16/22 | 13111 | |
| 10 | Protection Pump Panel | 22804 | |
| 11 | Pump Assembly | See Table | - |
| 12 | Pump Motor | See Table | - |
| 13 | Thickness Pump Motor | | 20510 |
| 14 | Pump Motor Support | | 22799 |
| 15 | Pump Body | | 10065 |
| 16 | Pump Impeller | See Table | - |
| 17 | Diffuser | | 10067 |
| 18 | Pump Filter | | 20518 |

Ref. 11 - Pump Assembly

| Tension | Code |
|----------------|--------|
| 220/240V 50 Hz | C23624 |
| 220/230V 60 Hz | C23616 |

Ref. 12 - Pump Motor

| Tension | Code |
|----------------|-------|
| 220/240V 50 Hz | 23073 |
| 220/230V 60 Hz | 23187 |

Ref. 16 - Pump Impeller

| Tension | Code |
|----------------|-------|
| 220/240V 50 Hz | 10066 |
| 220/230V 60 Hz | 10138 |

Rev. 3 - 2/7/2003



Common Parts

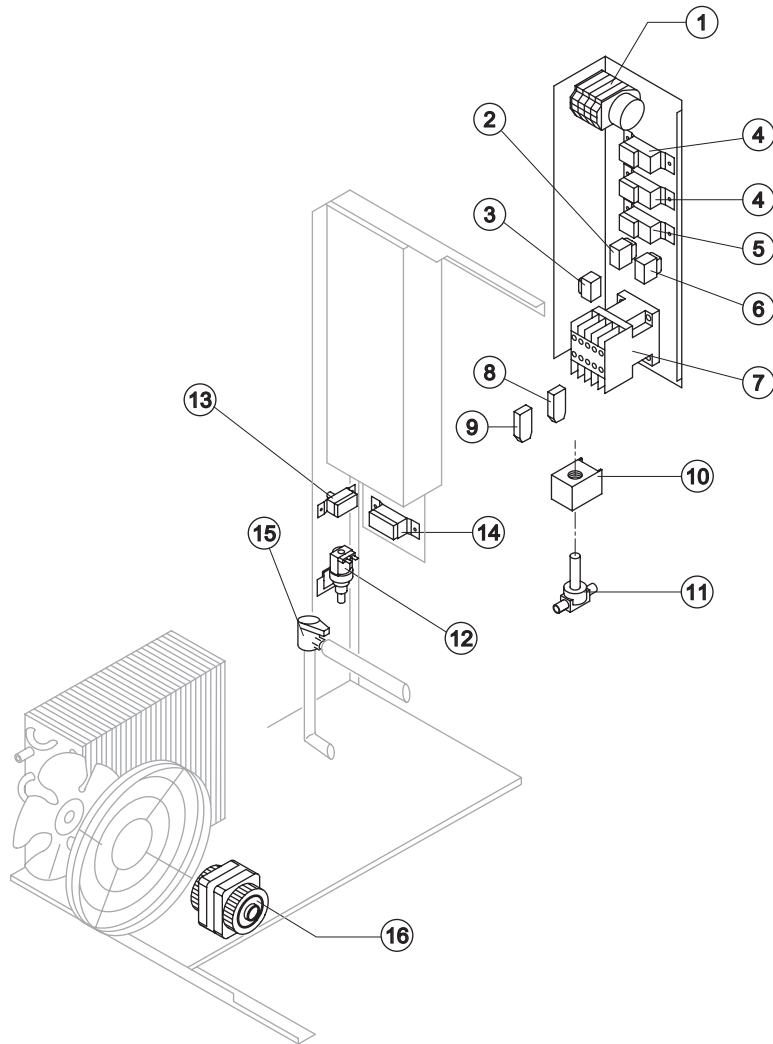
| Ref. | Spare Description | Code |
|------|-----------------------------|-----------|
| 1 | Timer | See Table |
| 2 | Light Switch "Economy-Full" | 23611 |
| 3 | "Washing" Switch | 23619 |
| 4 | Bin Thermostat | 23005 |
| 5 | Evaporator Thermostat | 23597 |
| 6 | Green Light Switch | 23327 |
| 7 | Contactor | 23147 |
| 10 | Hot Gas Coil | 23091 |
| 11 | Hot Gas Valve Body | 20409 |
| 12 | Inlet Watervalue 1 Way | 23641 |
| 13 | Safety Pressure Switch | 23342 |
| 15 | Outlet Water Valve | 23537 |

Parts for Air-Cooled Version Only

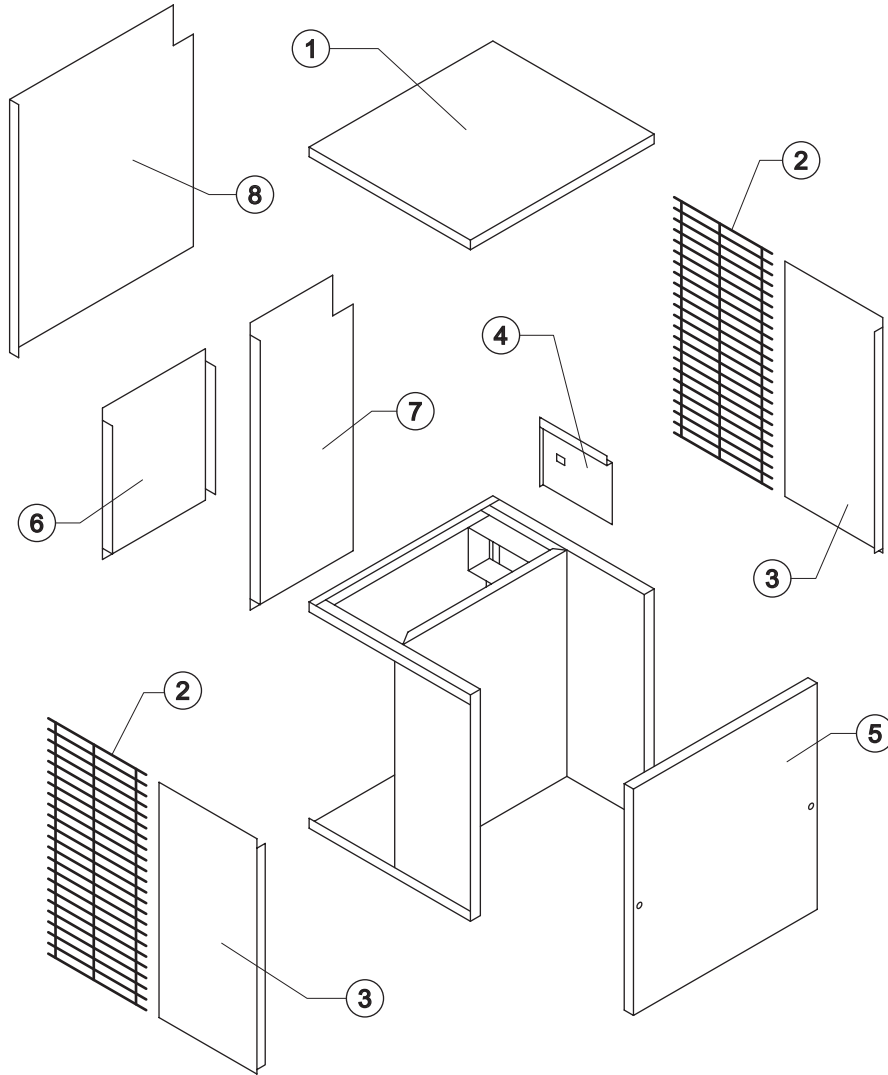
| Ref. | Spare Description | Code |
|------|--------------------------------|-----------------------|
| 8 | Anti Radio Interference Filter | Only 220V 50 Hz 23459 |
| 9 | Anti Radio Interference Filter | Only 220V 50 Hz 23458 |
| 14 | Condenser Pressure Switch | 23175 |
| 16 | Fan Motor | 23121 |

Ref. 1 - Timer

| Tension | Code |
|----------------|-------|
| 220/240V 50 Hz | 23635 |
| 220/230V 60 Hz | 23632 |



Rev. 3 - 2/7/2003



Rev. 3 - 2/7/2003

Common Parts

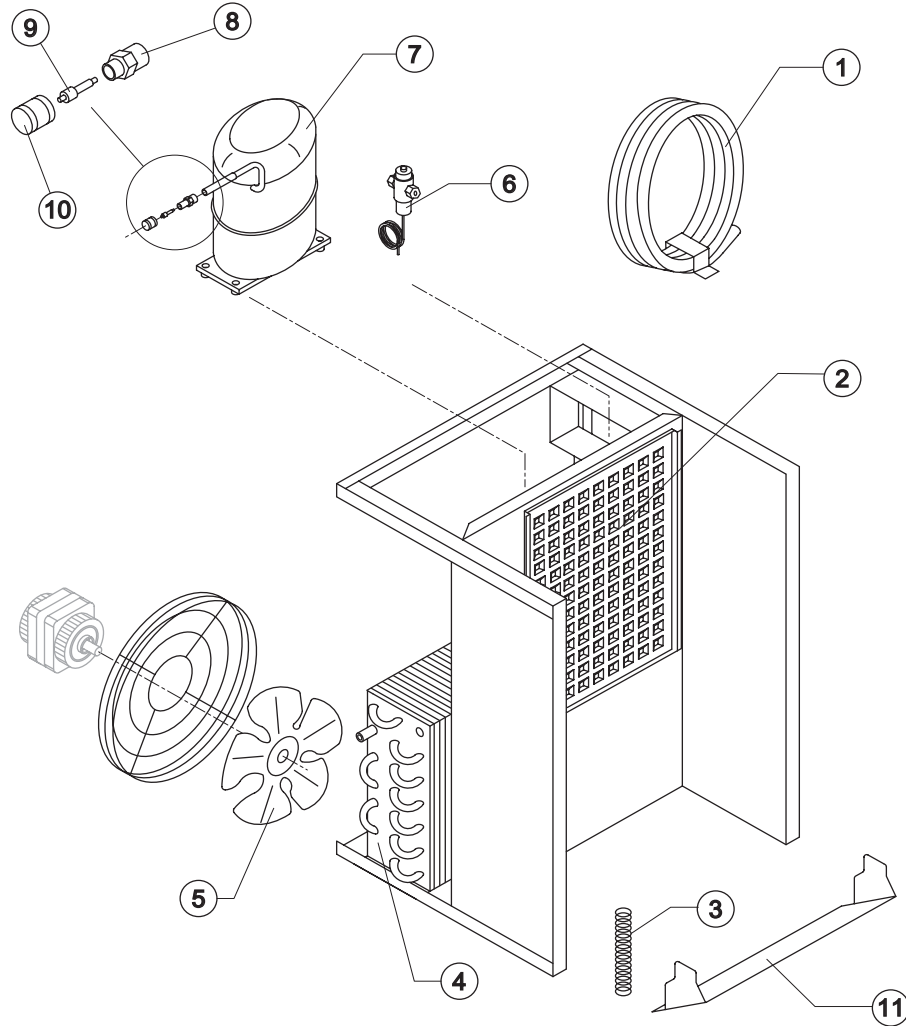
| Ref. | Spare Description | Code |
|------|-----------------------------|-----------------------|
| 1 | Top Assembly | C22607 |
| 2 | Lateral Grid (Right & Left) | D12055 |
| 3 | Right Side & Left Side | 22606 |
| 4 | Electrical Box Cover | Current Version 21231 |
| 4 | Electrical Box Cover | Till s/n. 81707 21222 |
| 5 | Front Panel Assembly | C22604 |

Parts for Air-Cooled Version Only

| Ref. | Spare Description | Code |
|------|---------------------------|-------|
| 6 | Back Panel Over Condenser | 21221 |
| 7 | Back Panel | 21217 |

Parts for Water-Cooled Version Only

| Ref. | Spare Description | Code |
|------|-------------------|-------|
| 8 | Back Panel | 21223 |



Common Parts

| Ref. | Spare Description | Code |
|------|----------------------------|-------------|
| 2 | Evaporator | D10227 |
| 3 | Spring | 20464 |
| 7 | Compressor | See Table - |
| 8 | Vaccum-Charge Valve Body | 14007 |
| 9 | Vaccum-Charge Valve Device | 14005 |
| 10 | Vaccum-Charge Valve Plug | 14006 |
| 11 | Horizontally Hinged | 22608 |

Parts for Air-Cooled Version Only

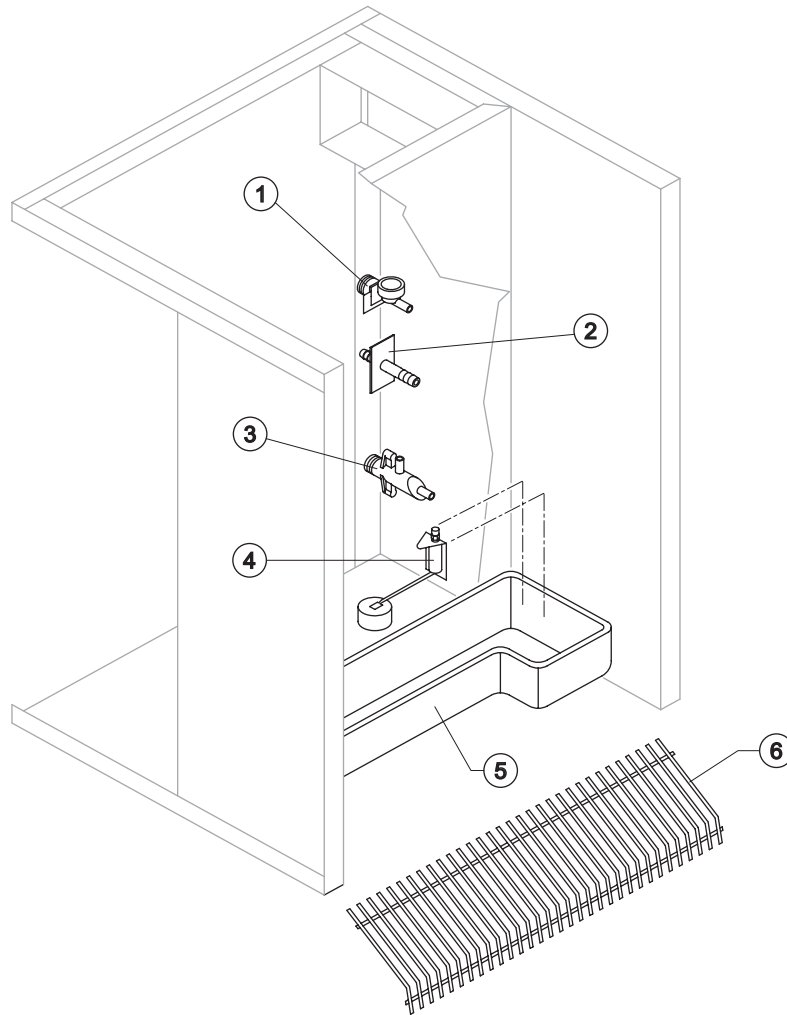
| Ref. | Spare Description | Code |
|------|-------------------|-------|
| 4 | Air Condenser | 20670 |
| 5 | Suction Fan | 20407 |

Parts for Water-Cooled Version Only

| Ref. | Spare Description | Code |
|------|-------------------|-------|
| 1 | Water Condenser | 14081 |
| 6 | Pressure Valve | 20210 |

Ref. 7 - Compressor

| Tension | Code |
|----------------|-------|
| 220/240V 50 Hz | 23543 |
| 220/230V 60 Hz | 23593 |



Common Parts

| Ref. | Spare Description | Code |
|------|--------------------------|--------|
| 1 | 1 Way Inlet Water Nipple | 10239 |
| 4 | Floating Valve | 10188 |
| 5 | Water Basin | 10236 |
| 6 | Ice Cubes Slide | D12057 |

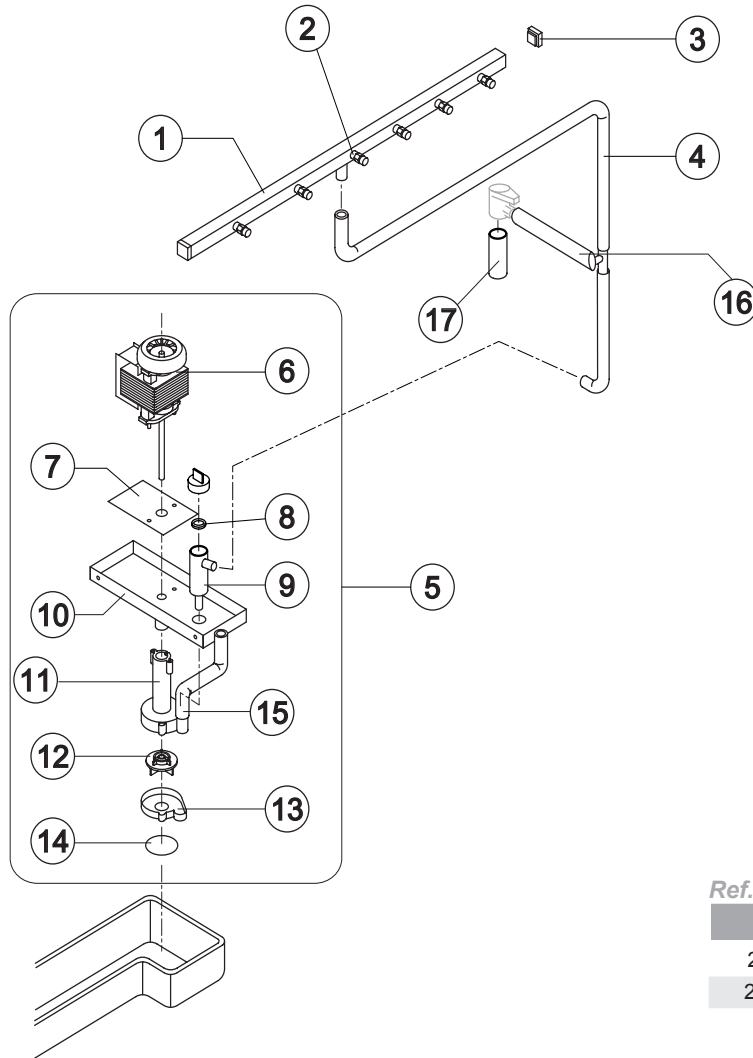
Parts for Air-Cooled Version Only

| Ref. | Spare Description | Code |
|------|---------------------|--------|
| 3 | Discharges Manifold | C10052 |

Parts for Water-Cooled Version Only

| Ref. | Spare Description | Code |
|------|--------------------------|----------------------------|
| 2 | Rubber Holder with Plate | See Note C20462 |
| 3 | Discharges Manifold | Current Version C10052 |
| 3 | Discharges Manifold | Till s/n. 127939 C10053 |

! Ref. 2 - Code C20462 from s/n. 127940. Before was Code 10239.



| Ref. | Spare Description | Code | |
|------|--|-----------|---|
| 1 | Sprayers Bar Assembly | C20465 | |
| 2 | Sprayer | D20002 | |
| 3 | Sprayers Bar Plug | 10012 | |
| 4 | Filter-Sprayers Pipe Connection | 13103 | |
| 5 | Pump Assembly | See Table | - |
| 6 | Pump Motor | See Table | - |
| 7 | Heat Dissipator | 22430 | |
| 8 | Pump Filter Gasket | 13080 | |
| 9 | Pump Filter | 10139 | |
| 10 | Pump Motor Support | 10161 | |
| 11 | Pump Body | 10065 | |
| 12 | Pump Impeller | See Table | - |
| 13 | Diffuser | 10067 | |
| 14 | Pump Filter | 20518 | |
| 15 | Pump - Filter Connection Pipe | 13084 | |
| 16 | Discharge Valve Connecting Pipe ("T" Shaped) | 13102 | |
| 17 | Connecting Pipe Water Outlet Valve Manifold | 13104 | |

Ref. 5 - Pump Assembly

| Tension | Code |
|----------------|--------|
| 220/240V 50 Hz | C23545 |
| 220/230V 60 Hz | C23547 |

Ref. 6 - Pump Motor

| Tension | Code |
|----------------|-------|
| 220/240V 50 Hz | 23073 |
| 220/230V 60 Hz | 23187 |

Ref. 12 - Pump Impeller

| Tension | Code |
|----------------|-------|
| 220/240V 50 Hz | 10066 |
| 220/230V 60 Hz | 10138 |



Common Parts

| Ref. | Spare Description | Code |
|------|-----------------------|-----------|
| 1 | Green Light Switch | 23327 |
| 3 | Electronic Timer | 23560 |
| 4 | Relay | 23190 |
| 5 | Contactors | 23147 |
| 6 | Timer | See Table |
| 10 | Evaporator Thermostat | 23597 |
| 11 | Outlet Water Valve | 23537 |
| 12 | Closeness Switch | 23540 |
| 14 | Hot Gas Coil | 23091 |
| 15 | Hot Gas Valve Body | 20409 |

Parts for Air-Cooled Version Only

| Ref. | Spare Description | Code | |
|------|--------------------------------|---------------------|-------|
| 2 | Anti Radio Interference Filter | Only 220/240V 50 Hz | 23458 |
| 7 | Anti Radio Interference Filter | Only 220/240V 50 Hz | 23459 |
| 9 | Condenser Pressure Switch | | 23175 |
| 16 | Fan Motor | | 23121 |

Parts for Water-Cooled Version Only

| Ref. | Spare Description | Code | |
|------|------------------------|-----------------|--------|
| 8 | Safety Pressure Switch | | 23342 |
| 13 | Safety Thermostat | Till s/n. 98247 | C23114 |

Ref. 6 - Timer

| Tension | Code |
|----------------|-------|
| 220/240V 50 Hz | 23539 |
| 220/230V 60 Hz | 23559 |

Rev. 3 - 2/7/2003

