

cookmax+



start!

Kühlung Büfett-Element, gekühlte Platte, mit Untergestell

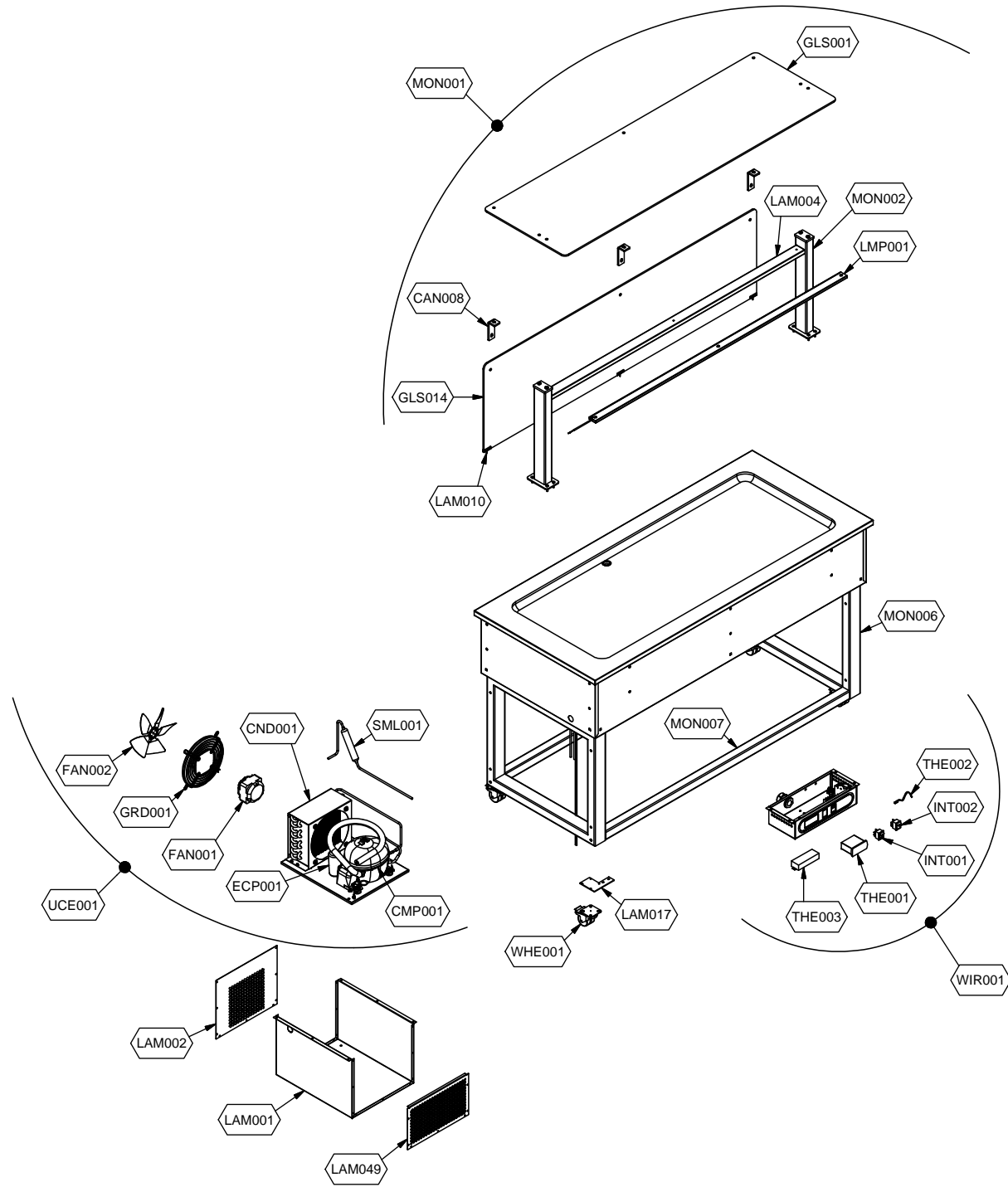
Artikel-Nr.

90651098 (9BESS4FIF0A91 / SOUL SERVICE STAND LIME 4)

Explosionszeichnung / Ersatzteile

Bitte bei Ersatzteilbestellung immer Artikelnummer und Seriennummer mit angeben!

| | PARAM. | OPTIONAL |
|--------|--------|----------|
| ⚡ | | |
| SCE001 | TAR001 | OPT |



Exploded View

Validity: 08/04/2016

| | |
|---------------|--|
| 9BESS4FIF0A91 | ESSENCE 4I PIANO REF.STAT S.LED.FRO NO R |
| ESP354 | SERVICE-STAND LIME INCORPORATO |

| Ref. Drawing | Code | Description |
|--------------|-------------|--|
| CAN008 | 74702120 | FISSACRIST.SQUADRA PLEXIGLASS |
| CMP001 | 74865722 | COMPR. EMT6152GK CSIR 230V/50HZ R404A |
| CND001 | 74837032 | CONDENS. 8TX3R 230*210*110 FIJI 4/1 |
| ECP001 | 74867008 | PARTI ELETTR.COMPR.EMT6152GK CSIR |
| FAN001 | 74848151 | VENT.10W 230V L=1500 FISSAGGIO GRIGLIA E |
| FAN002 | 74848156 | PALA.ASP.DIAM.200\34° |
| GLS001 | 72538784 | CAPPOT.VETRO SOVR.LIGHT 4-1 DROP-IN SPEC |
| GLS014 | 72538774 | VETRO FRONT.SOVR.LIGHT 4-1 DROP-IN SPEC |
| GRD001 | 74845144 | GRIGLIA FE.A CESTELLO PER PALA 200-34° |
| INT001 | 74742008 | INT.NERO ON-OFF 16A SH JS-608FA-O-B-6 |
| INT002 | 74742017 | INTERR.ARANC.LAMP 16A B418C1H1X0000 MOLV |
| LAM001 | 72539510 | LAM.SUPP.UCE BA |
| LAM002 | 72539512 | GRIGLIA AERAZIONE BA POST.DROP-IN |
| LAM004 | 72539084 | LAM.PLAFONIER.SOVRASTR.LIGHT 4-1 DROP-IN |
| LAM010 | 72557114 | LAM.SUP.VETRO FRONT.\LATER. VRX TT |
| LAM017 | 72539674 | LAM.UNIONE GAMBA+TRAVERSO DROP-IN |
| LAM049 | 72539514 | GRIGLIA AERAZIONE BA ANT.DROP-IN |
| LMP001 | 72539044 | LAMPADA A LED SOVRAS.LIGHT 4-1 DROP-IN |
| MON001 | 73668704 | ASS.SOVR.+FRONT.LIGHT DROP-IN 4-1 |
| MON002 | 72539070 | MONTANTE SOVRASTRUTTURA LIGHT DROP-IN |
| MON006 | 72539680 | TELAIO GAMBA DROP-IN |
| MON007 | 72539694 | TRAVERSO TELAIIO GAMBA 4/1 DROP-IN |
| SCE001 | SC850 | SCHEMA ELETTRICO DROP-IN REFRIG. |
| SML001 | 73670236 | ASS.FILTRO UCE FIJI QUADRO 4-1 |
| TAR001 | RIF.TAR.B06 | PARAMETRI DROPIN & BUFFET LIME |
| THE001 | 74700881 | CENTR.PYAO1C0522-BZ 230V H/C |
| THE002 | 74700916 | SONDA NTC IKE 3METRI -50/+105° |

| Ref. Drawing | Code | Description |
|--------------|----------|--|
| THE003 | 74700892 | ALIMENTATORE LAMPADA LED MW LPHC18-350MA |
| UCE001 | 74861322 | UCE EMT6152GK R404A DROP-IN 3-4/1 |
| WHE001 | 74708011 | RUOTA GEMELLATA DIAM. 50MM POLIAMMIDE |
| WIR001 | 73669900 | ASS.Q.E REF.STAT.DROP-IN |