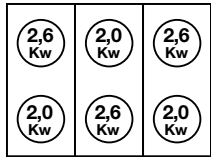
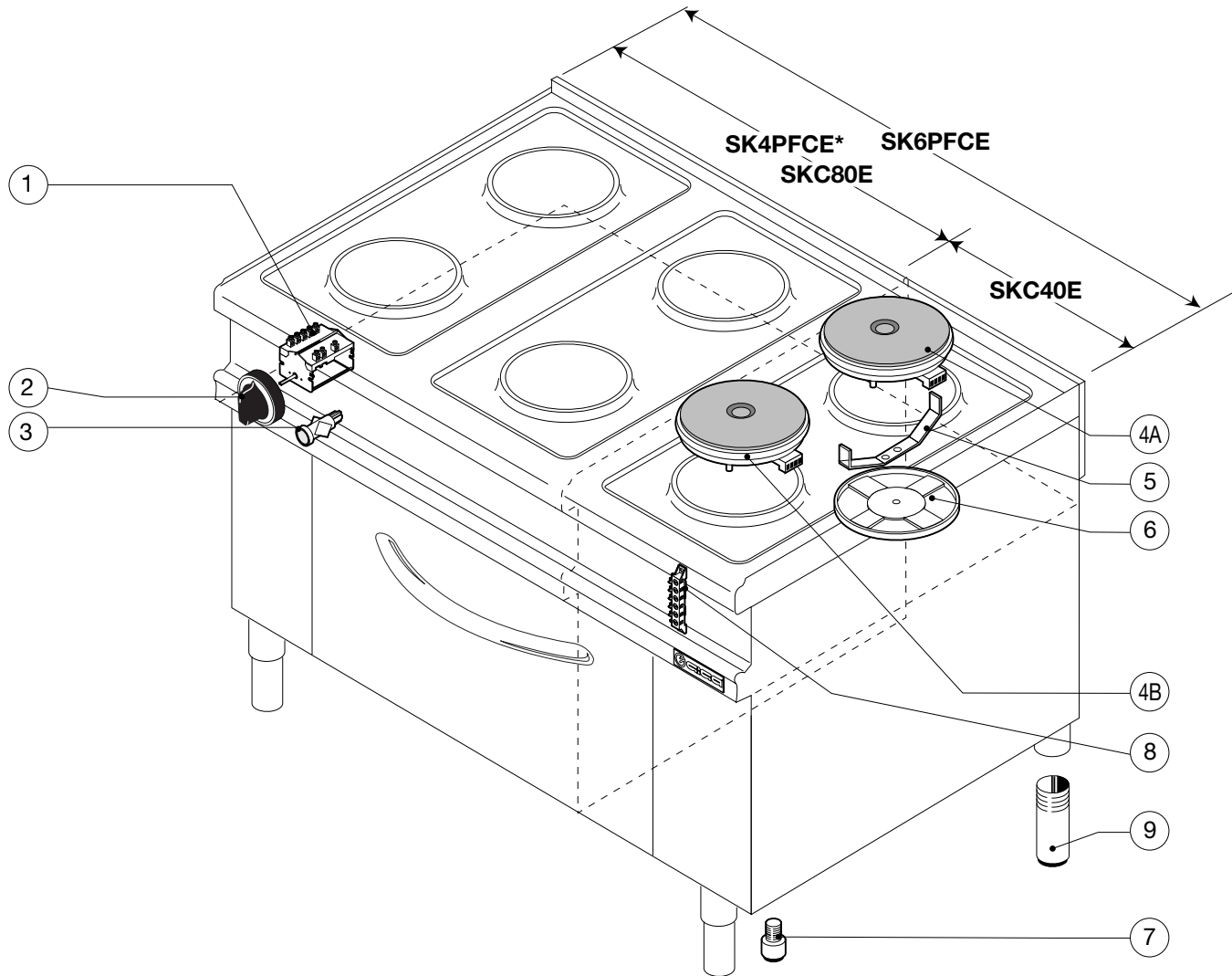


SKC40E

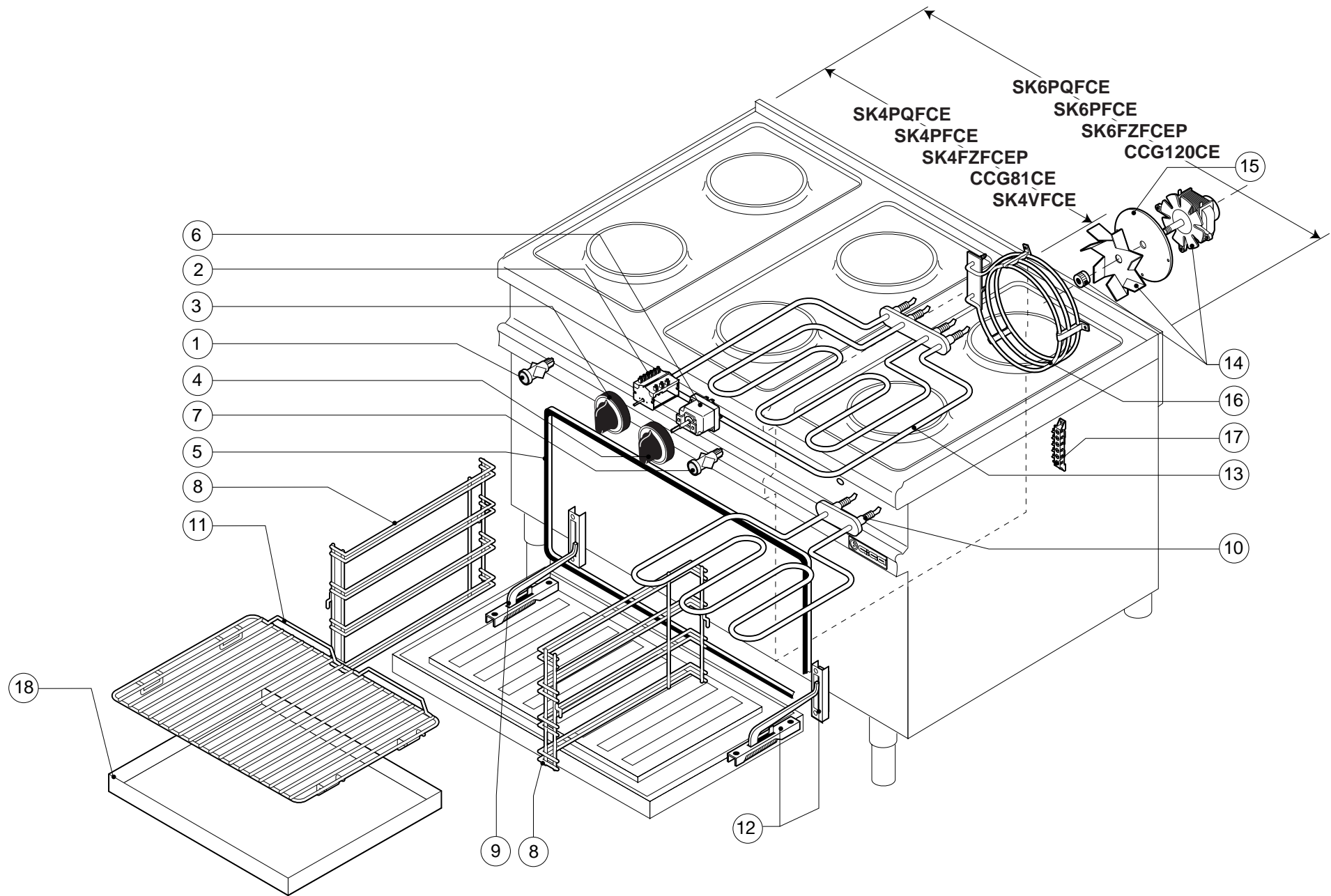
SKC80E
SK4PFCE*



SK6PFCE



Pezzi/Pieces Pieces/Anzahl			Pos.	Validità dalla matricola Validité du numéro matricule Validity from serial number Gültigkeit ab der (Seriennummer)	Validità alla matricola Validity up to serial number Validité au numéro matricule Gültigkeit bis zur (Seriennummer)	Codice Code Artikel Nummer	Descrizione	Description	Description	Beschreibung
SK6PFCE	SKC40E	SK4PFCE* SKC80E								
6	2	4	1			X54100	Commutatore 7 posizioni	7-Pos. selector switch	Commutateur 7 positions	7 Positionenschalter
6	2	4	2			0000Y65005	Manopola	Knob	Cle de commande	Drehknopf
6	2	4	3			X50900	Lampada verde	Green light	Lampe vert	Grüne Kontrolllampe
3	1	2	4A			X45300	Piastra 2600 W	Plate 2600 W	Plaque 2600 W	Platte 2600 W
3	1	2	4B			X45400	Piastra 2000 W	Plate 2000 W	Plaque 2000 W	Platte 2000 W
6	2	4	5			X45600	Staffa fissaggio piastra	Plate fixing bracket	Entrier de fixation plaque	Befestigungsbügel
6	2	4	6			X44900	Protezione piastra	Plate protection	Protection plaque	Plattenschutz
	4	4/0*	7			M06400	Piedino	Foot	Pied	Fuss
1	1	1	8			X59000	Morsettiera	Terminal board	Barrette de raccordement	Klemmleiste
4		0/4*	9			X61000	Piedino	Foot	Pied	Fuss



N.B.: La tavola si completa con la successiva n° - See table No. - Voir tableau n° - Wichtig: S. folgender Plan Nr.

• 3E07-009
SK4VFCE

• 3E07-033
CCG81CE
CCG120CE

• 3E07-005
SK4ZFCEP
SK6ZFCEP

• 3E07-003
SK4PFCE
SK6PFCE

• 3E07-004
SK4PQFCE
SK6PQFCE

3E07-007

CCG81CE - CCG120CE
SK4PFCE - SK6PFCE
SK4ZFCEP - SK6ZFCEP
SK4PQFCE - SK6PQFCE
SK4VFCE



Pezzi/Pieces Pieces/Anzahl	Pos.	Validità dalla matricola Validité du numéro matricule Validity from serial number Gültigkeit ab der (Seriennummer)	Validità alla matricola Validity up to serial number Validité au numéro matricule Gültigkeit bis zur (Seriennummer)	Codice Code Artikel Nummer	Descrizione	Description	Description	Beschreibung
SK4FZFCEP - SK4PFCE - SK6FZFCEP - SK4PQFCE - SK6PFCE - SK6PQFCE - CCG81CE - CCG120CE SK4VFCE								
1	1			X50900	Lampada verde	Green light	Lampe vert	Grüne Kontrolllampe
1	2			X68204	Commutatore	Selector switch	Commutateur	Schalter
1	3			0000X65008	Manopola commutatore	Selector knob	Bouton commutat.	Umschaltknopf
1	4			0000X65004	Manopola termostato	Knob thermostat	Cle de commande thermoc.	Drehknop thermostat
1	5			1000X05600	Guarnizione porta	Door seal	Joint porte	Türdichtung
1	6			X68205	Termostato	Oven thermostat	Thermostat	Thermostat
2	7			X41200	Lampada gialla	Yellow light	Lampe jaune	Gelbe kontrolllampe
1	8			V05900	Reggigriglia sx/dx	R.H. grid support	Appui grille gauche	Oberer heizwiderstand
1	9			X66100	Cerniera sx	L.H. hinge	Charniere gauche	Rostauflegeschiene L.
1	10			X68203	Resistenza inferiore	Bottom resistance	Resistance inferieure	Unterer heizwiderstand
1	11			G11PF	Griglia	Grid	Grille	Rost
1	12			X66000	Cerniera dx	R.H. hinge	Charniere droite	Scharnier rechts
1	13			X68202	Resistenza superiore	Top resistance	Resistance superieure	Oberer heizwiderstand
1	14			V03000	Motoventilatore	Electric fan	Moto-ventilateur	Motorventilator
1	15			V05400	Isolamento	Insulation	Isolation	Isolierung
1	16			X68002	Resistenza	Resistance	Resistance	Resistenz
1	17			X59200	Morsettiera	Terminal board	Barrette de raccordement	Klemmleiste
1	18			V05700	Suola forno	Oven floor	Sole four	Boden fen