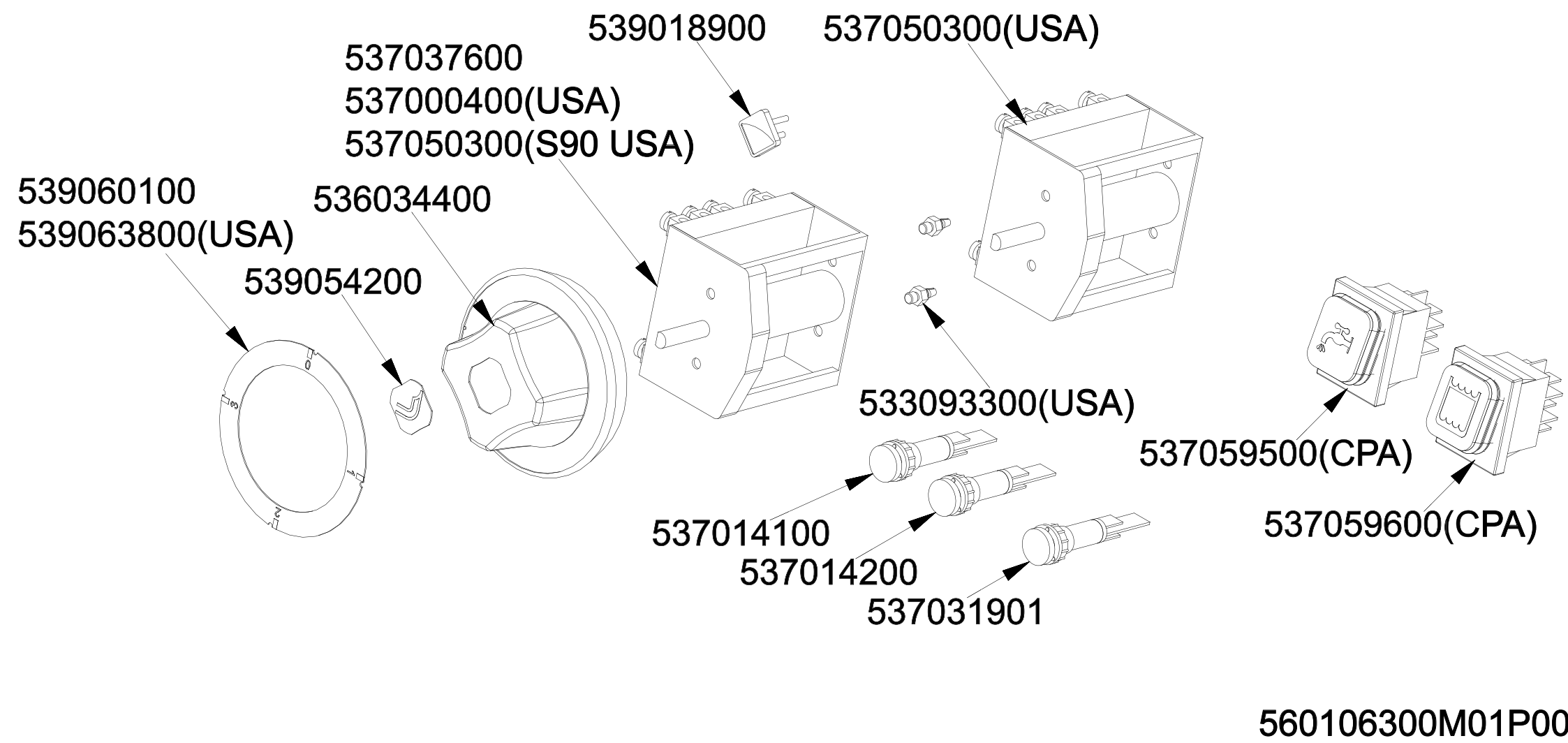


560078201M01P00



| Page | Pos | Code | Description |
|------|-----|-----------|-------------------------------------|
| 001 | | 531037701 | BASKET SUPPORT GRID CP S.90 |
| 001 | | 541199802 | UPPER PLATE S60T CP -66ET |
| 001 | | 541008100 | DRAIN FILTER TANK CP 700LINE |
| 001 | | 531042800 | SEMISPHERE FILTER |
| 001 | | 537049100 | COVERED HEATING ELEMENT CP76 13500W |
| 001 | | 537050400 | SAFETY THERMOSTAT 185°C THREEPHASE |
| 001 | | 533044402 | M8 THREADED CAP FOR SEC.THERMOSTAT |
| 001 | | 537027400 | TERMINAL BLOCK THREEPHASE 40A |
| 001 | | 544508700 | FIANCO APP.S60M SX |
| 001 | | 537036500 | TERMINAL BLOCK 4POLES 40A SCREW-SCR |
| 001 | | 541140801 | CONTROL PANEL S607090 CP-76E |
| 001 | | 533039900 | PIPE HOLDER 1" G M D.24 |
| 001 | | 531018600 | BALL VALVE 1"G M-F CPM-62G |
| 001 | | 533040000 | 1"G F-F-F "T" FITTING |
| 001 | | 533038200 | 1" G M-F ELBOW FITTING |
| 001 | | 544508600 | FIANCO APP.S60M DX |
| 001 | | 531048400 | INOX LEG Ø1"3/4 100-165 M10 |
| 002 | | 544389300 | CONTROP.73 SX APP. LT |
| 002 | | 531007600 | DOOR HINGE |
| 002 | | 544182501 | LEFT DOOR 73 |
| 002 | | 533094200 | S/S HANDLE FOR 70/90 SERIES |
| 002 | | 533035200 | HANDLE SPACER |
| 002 | | 536000200 | D.12 H.4 BUMPER |
| 002 | | 544389200 | CONTROP.73 DX APP. LT |
| 002 | | 544182401 | RIGHT DOOR 73 |
| 002 | | 544182101 | LEFT DOOR 74 |
| 002 | | 544389500 | INNER-DOOR OF LHD 74 |
| 002 | | 544389400 | CONTROP.74 DX APP. LT |
| 002 | | 544182001 | RIGHT DOOR 74 |
| 002 | | 544497000 | PORTA 72 SX |
| 002 | | 544497100 | CONTROP.72 SX APP. LT |
| 002 | | 544185101 | RIGHT DOOR 74 CF |
| 002 | | 533107100 | HANDLE SPACER OF CF-70 |
| 002 | | 544185500 | UPPER DOOR HINGE FOR COMPARTME CF70 |
| 002 | | 531000900 | MAGNET §22 KG.3 WITH DISK |
| 002 | | 544185201 | INNER DOOR * 74DX |
| 002 | | 544185400 | LOWER DOOR HINGE FOR COMPARTME CF70 |
| 002 | | 544663900 | LHD 74 DOOR FOR PCI |
| 002 | | 544663800 | 74 LHD OVEN INNER DOOR FOUR PCI |
| 002 | | 544662700 | DOOR 74 DX PCI |
| 002 | | 544662600 | CONTROP.74 DX APP. LT PCI |
| 003 | | 533155600 | PERNO PER SENSORE ACQUA |
| 003 | | 536039100 | GUIDA PER SENSORE ACQUA |
| 003 | | 536039000 | GUARNIZ.O-RING 12,42X1,78 SILIC. |
| 003 | | 536039200 | DISTANZIALE PER SENSORE ACQUA |
| 003 | | 533159400 | RACC.UN.2 U.ELETTROV.ACQUA CP |
| 003 | | 533039300 | BICONE §10 |
| 003 | | 533009500 | NIPPLE FOR BICONE 10S |
| 003 | | 537062900 | ELETTROV.A.3/4GM-2Ø10JG 230V RPV |
| 003 | | 533065700 | FITTING FOR WATER INPUT 1/2G |
| 003 | | 533048800 | GASKET §30*§21*2 FIBRE |

| Page | Pos | Code | Description |
|------|-----|-----------|-------------------------------------|
| 003 | | 533048700 | NUT 1/2G ZN |
| 003 | | 533024400 | HEXAGONAL NUT 1/2G TUBE D.10 |
| 003 | | 537063000 | ELETTROV.G.1/2GF-1/2GF 230V |
| 003 | | 539018800 | BLANK INDEX FOR KNOB |
| 003 | | 539010900 | ADHESIVE LABEL FOR DRAIN COCK |
| 003 | | 536034700 | KNOB §77 4P. §08*6,5 F§30 |
| 003 | | 539063600 | ADHESIVE DISK 72 FOR DRAIN COCK |
| 003 | | 539054200 | STAMP Ø20,5 CR."L" LOTUS R. |
| 003 | | 533136001 | SCREW TAP WATER LOAD FOR CP S70/90 |
| 003 | | 531037601 | TAP FOR WATER 90°DX CP |
| 003 | | 533010800 | TUBE NUT D.10 M16*1,5 |
| 003 | | 533144900 | MALE FITTING WATER INLET M16X1,5 |
| 004 | | 537050300 | COMMUTAT.4POS.3PHASE 43 32A CP UL |
| 004 | | 539018900 | INDEX FOR KNOB W/RED SIGN |
| 004 | | 537037600 | COMMUTATOR 4 POS.3PHASE S.43 32A |
| 004 | | 537000400 | COMMUTATOR 1POS.SINGLEPHASE S49 16A |
| 004 | | 539060100 | RED ADESIVE DISK FOR CPT-ET |
| 004 | | 536034400 | KNOB §77 4P. §06*4,6 C/M |
| 004 | | 539063800 | ADHESIVE DISK 72 4 P.DRAIN COCK USA |
| 004 | | 539054200 | STAMP Ø20,5 CR."L" LOTUS R. |
| 004 | | 533093300 | LOCKING PIN SWITCH S.43 THERMOST |
| 004 | | 537014100 | WHITE WARNING LIGHT 250V |
| 004 | | 537014200 | GREEN WARNING LIGHT 250V |
| 004 | | 537031901 | RED WARNING LIGHT PCI 12V E FASTON |