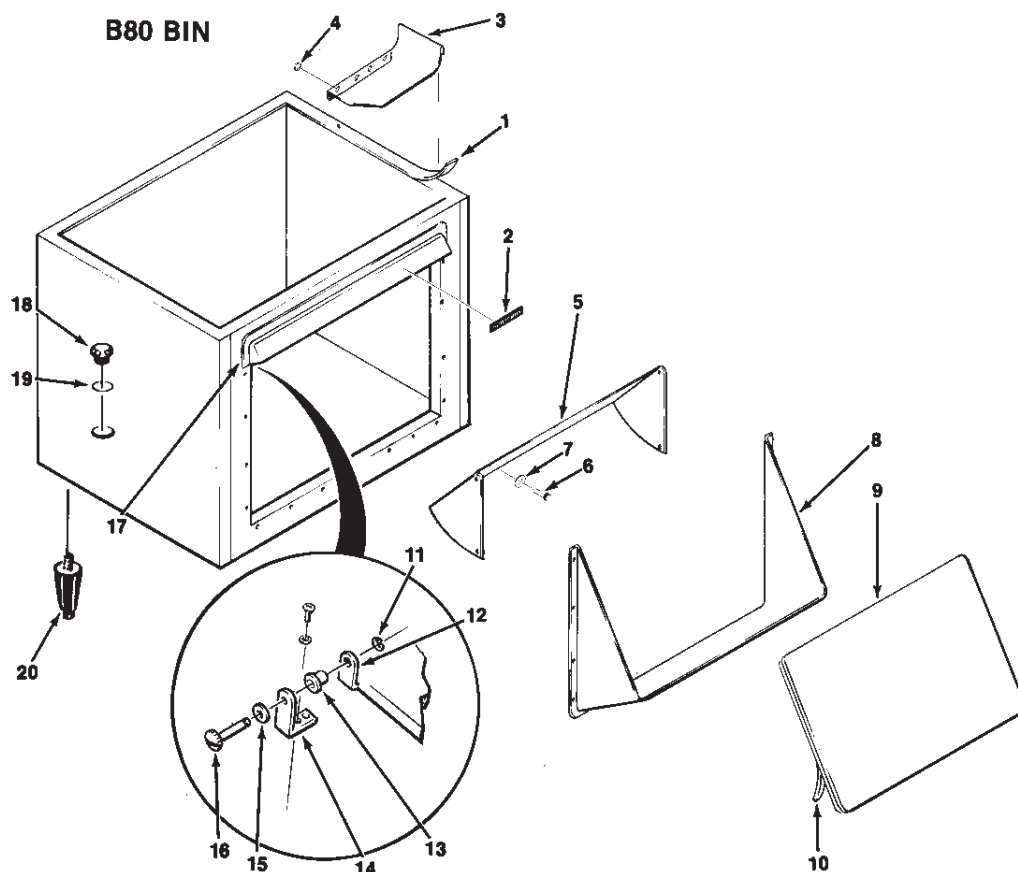


Bins, Condensers, and Accessories Service Parts

B80



Item Number	Part Number	Description
1	19-0503-04	Bin gasket
2	15-0711-01	Emblem
3	A26449-001	Deflector
4	13-0115-00	Grommet
5	not available	Baffle
6	03-0727-00	Thumbscrew
7	03-1407-04	Washer
8	no number	Door frame
9	02-2356-03	Door (brown) w/out gasket
	02-2356-02	Door (grey) w/out gasket
10	13-0595-00	Door gasket (per foot)
11	03-1539-09	E-ring
12	A25258-001	Hinge (door)
13	02-2380-01	Spacer
14	A25259-001	Hinge (frame)
15	02-2380-02	Spacer
16	02-2806-01	Shoulder screw
17	no number	Canopy
18	02-2809-01	Drain top
19	13-0617-11	O-ring
20	KLP2E	Legs, black
	KLP2S	Legs, nickel plated