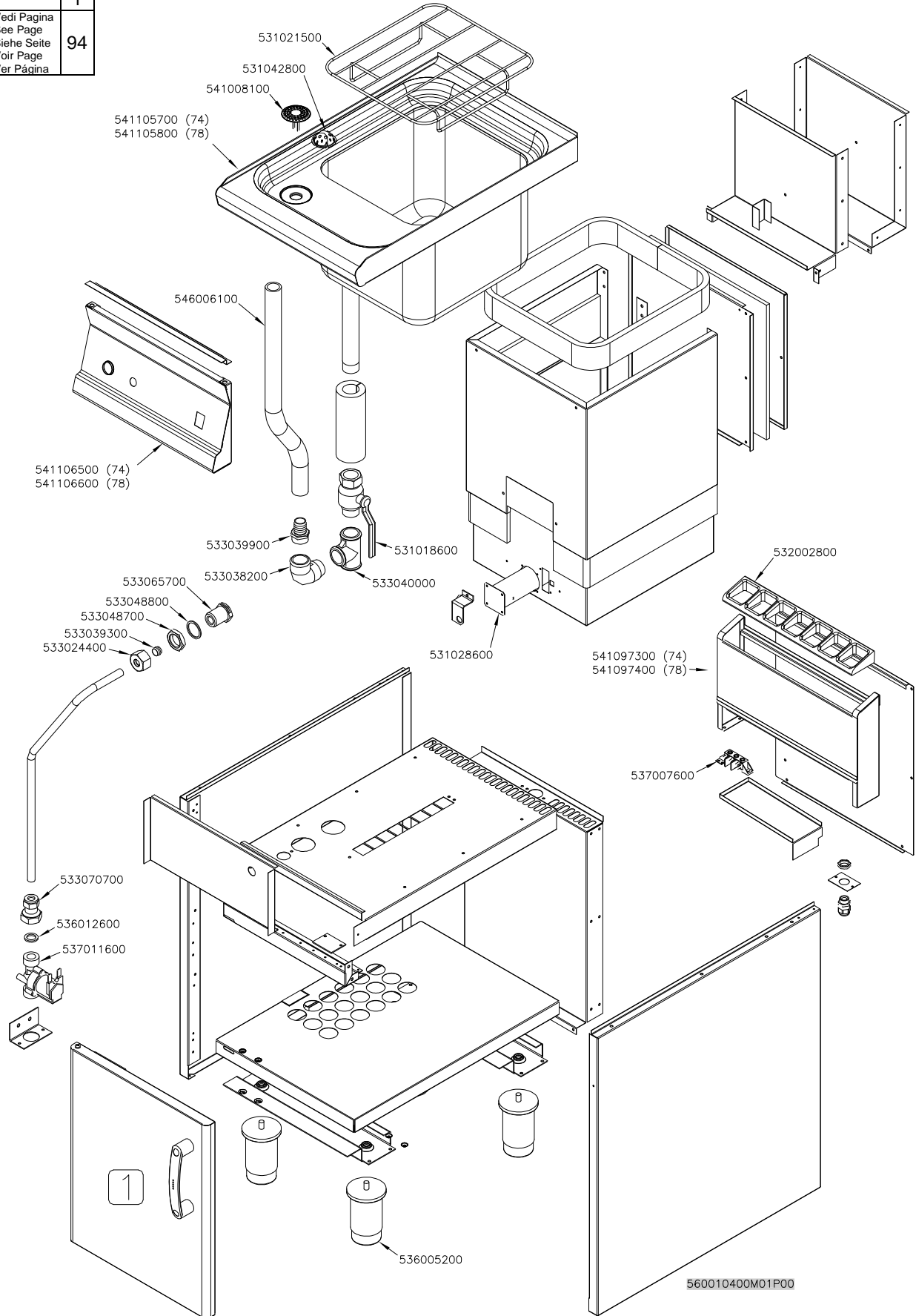


SUPERLOTUS 70≤0601

GAS / GAS / GAS / GAZ

CP-74G CP-78G N°≤0304

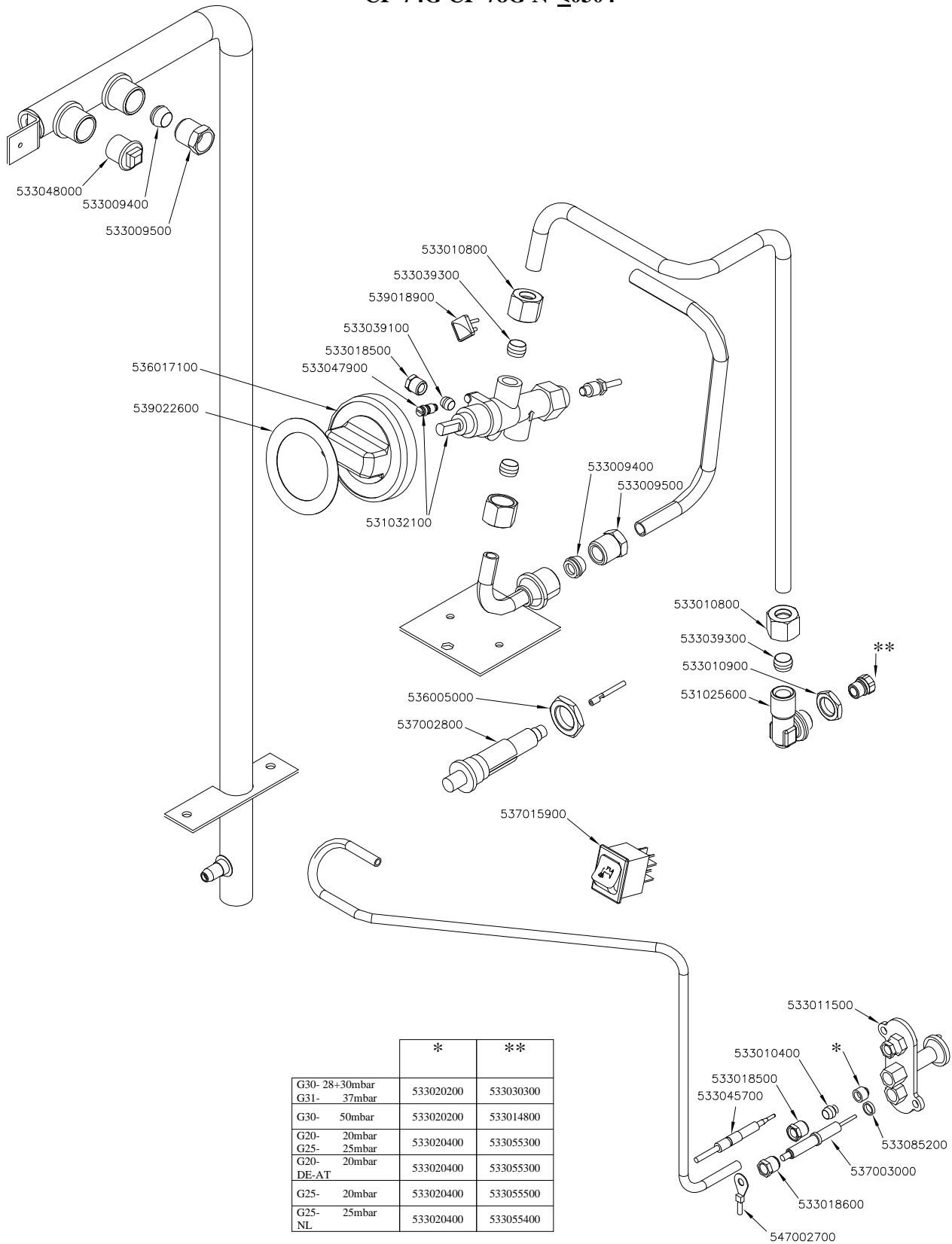
	1
Vedi Pagina See Page Siehe Seite Voir Page Ver Página	94



SUPERLOTUS 70≤0601

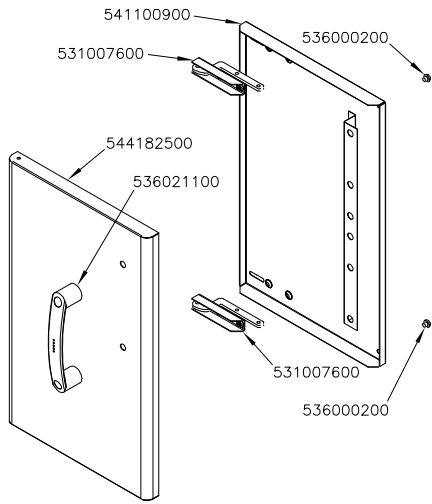
GAS / GAS / GAS / GAZ

CP-74G CP-78G N°≤0304

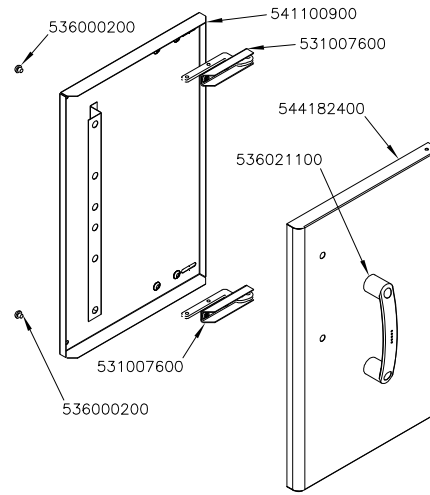


560034000M01P00

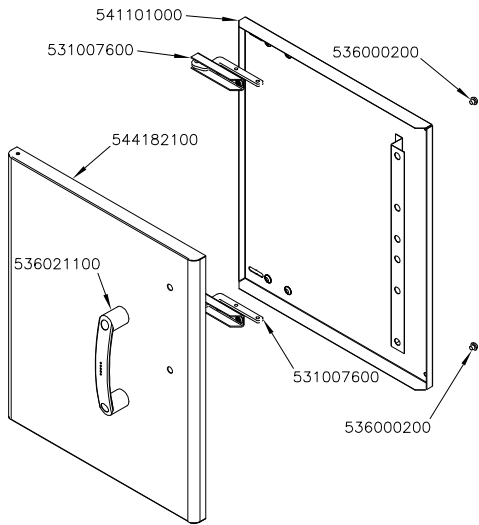
PORTE / DOORS / FLÜGELÜREN / PORTES



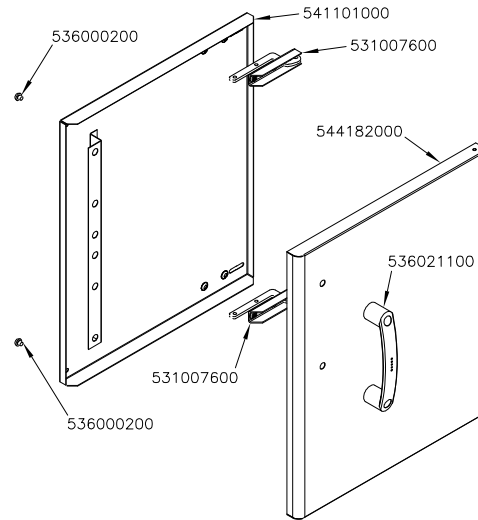
P-73/93 SX



P-73/93 DX

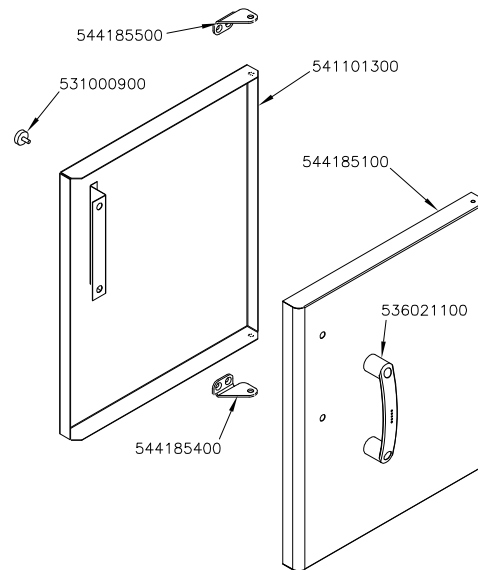


P-74/94 SX



P-74/94 DX

560012800M00P00



P-74/94 DX CF

Page	Pos	Code	Description
001		531021500	BASKET SUPPORT GRID CP S.70
001		531042800	SEMISPHERE FILTER
001		541008100	DRAIN FILTER TANK CP 700LINE
001		541105800	UPPER PLATE CP-78G
001		546006100	RUBBER TUBE §25INT.*§33EXT.*L=560
001		541106600	CONTROL PANEL CP-78G
001		532002800	GRID FOR PIPE L=370 S.70
001		541097400	SPACER 78G - 2 DRAINS
001		531028600	BURNER CP 70 LINE
001		533040000	1"G F-F-F "T" FITTING
001		531018600	BALL VALVE 1"G M-F CPM-62G
001		533039900	PIPE HOLDER 1" G M D.24
001		533038200	1" G M-F ELBOW FITTING
001		533065700	FITTING FOR WATER INPUT 1/2G
001		533048800	GASKET §30*§21*2 FIBRE
001		533048700	NUT 1/2G ZN
001		533039300	BICONE §10
001		533024400	HEXAGONAL NUT 1/2G TUBE D.10
001		537007600	TERMINAL BLOCK SINGLEPHASE 40A
001		533070700	FITTING 1/2G TUBE D10 + O-RING
001		536012600	GASKET §12,5*§18,5*2 1/2G
001		537011600	1IN+1OUT VALVE 180°C 230V 1/2G
001		536005200	INOX LEG 2" 120-180 M10
002		533048000	THREADED CAP 3/8"G
002		533009400	BICONE 10S
002		533009500	NIPPLE FOR BICONE 10S
002		533010800	TUBE NUT D.10 M16*1,5
002		533039300	BICONE §10
002		539018900	INDEX FOR KNOB
002		533039100	BICONE §6
002		533018500	FITTING FOR BICONE D.6 M10*1
002		533047900	BY PASS COCK §100 21S
002		536017100	BLACK KNOB §70 PIN §8*6,5
002		539022600	GRADUATED STICKER FOR KNOB
002		531032100	GAS COCK 21S P.V.BY-PASS Ø100
002		533010900	NUT M14*1 H.4
002		531025600	ELBOW 90° NOZZLE-HOLDER §10 PIPE
002		536005000	NUT M18 FOR PIEZOELECTRIC IGNITION
002		537002800	PIEZOELECTRIC IGNITION M18
002		537015900	BIPOLAR SWITCH
002		533011500	PILOT BURNER 2 FLAMES 220
002		533010400	BICONE D.6
002		533045700	THERMOCOUPLE M9*1 500
002		533085200	
002		537003000	PLUG M4 - LONG ELECTRODE
002		533018600	PLUG FITTING
002		547002700	HIGH-VOLTAGE CABLE L=500
002		533020200	PILOT JETS 0160 FOR LPG §30
002		533030300	NOZZLE §160 CH12*14 M-FPG
002		533014800	NOZZLE §135 CH12*14,0
002		533020400	NOZZLE 0160 (NATURAL GAS) 51

Page	Pos	Code	Description
002		533055300	NOZZLE §235 CH12*14
002		533055500	NOZZLE §255 CH12*14 L-CP70
002		533055400	NOZZLE §245 CH12*14
003		541100900	INNER DOOR 73
003		536000200	D.12 H.4 BUMPER
003		531007600	DOOR HINGE
003		544182500	RIGHT DOOR 73
003		536021100	BLACK HANDLE 70LINE + 2RED POINTS
003		544182400	RIGHT DOOR 73
003		541101000	INNER DOOR 74
003		544182100	LEFT DOOR 74
003		544182000	RIGHT DOOR 74
003		544185500	UPPER DOOR HINGE FOR COMPARTME CF70
003		541101300	RIGHT INNER DOOR 74 CF
003		531000900	MAGNET §22 KG.3 WITH DISK
003		544185100	RIGHT DOOR 74
003		544185400	LOWER DOOR HINGE FOR COMPARTME CF70