

WAREWASHER

ELECTROMECHANICAL SWITCHES
SIMPLE BODY VERSION

TYPE: 35R

Accessories

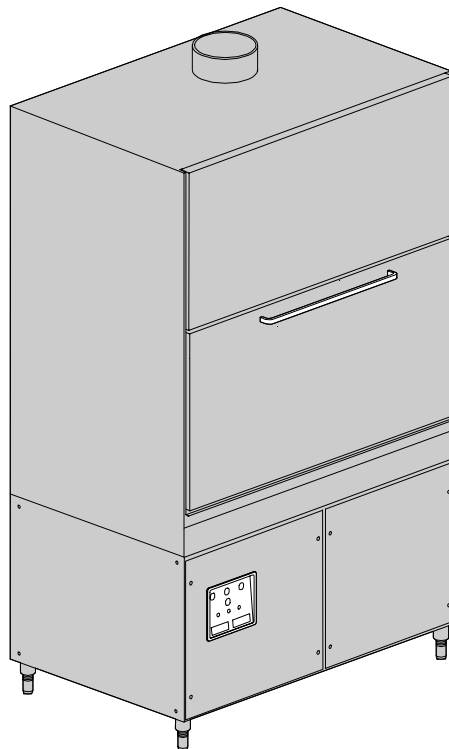
BOOSTER PUMP

DVGW

DETERGENT DISPENSER

DRAIN PUMP

Spare parts



S/N:

Valid from:..01/2003

Rev.: 0.0

1. Spare parts

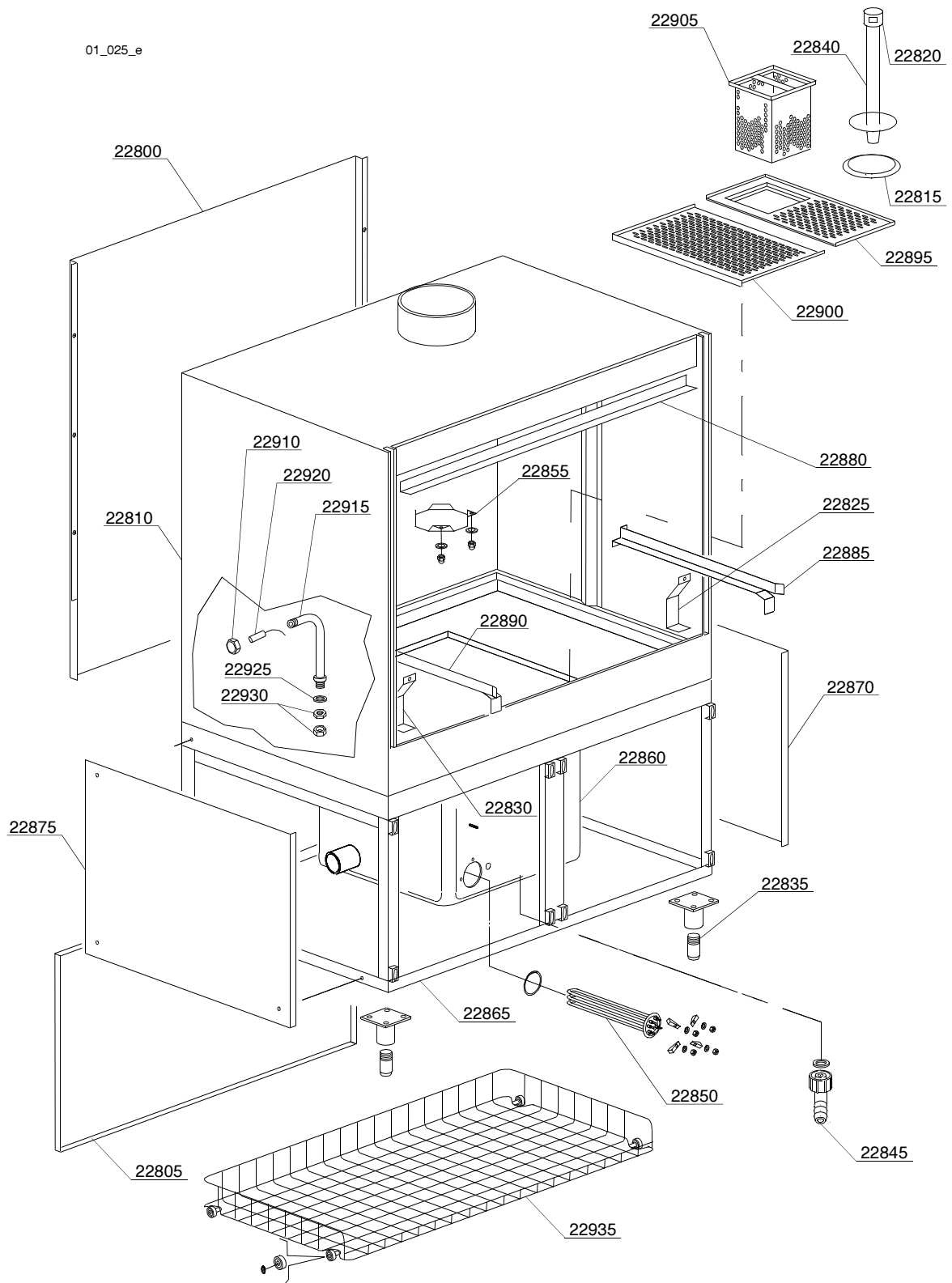
General body parts.....	7
Lockup system	9
Control panel	11
Control electric components.....	13
Solenoid valve group	15
Booster pump.....	17
DVGW	19
Shining product dosing device group .	21
Boiler group	23
3 ways derivation.....	25
Wash pump	27
Dosing device group	29
Pressure switch group with air trap ...	31
Turret group with rotating arms	33

1.1 Voltage codes

Voltage code	Voltage
A	3/N/PE~400/230V 50Hz
B	~250V 16A 50Hz
C	3/N/PE~380/220V 50Hz
D	3/PE~200V 50-60Hz
F	2/PE 220-240V 50Hz
G	3/N/PE~415/240V 50Hz
H	3/PE~230V 50Hz
I	3/PE~220V 60Hz
J	3/PE~380 50Hz
K	3/PE~400V 50Hz
L	3/PE~415V 50Hz
M	3/PE~440V 60Hz
N	3/PE~460V 60Hz
O	3/PE~480V 60Hz
P	1/N/PE~220-240V 50Hz
R	2/PE~220-230V 60Hz
S	3/N/PE~400/230V 50Hz
T	3/PE~230V 60Hz

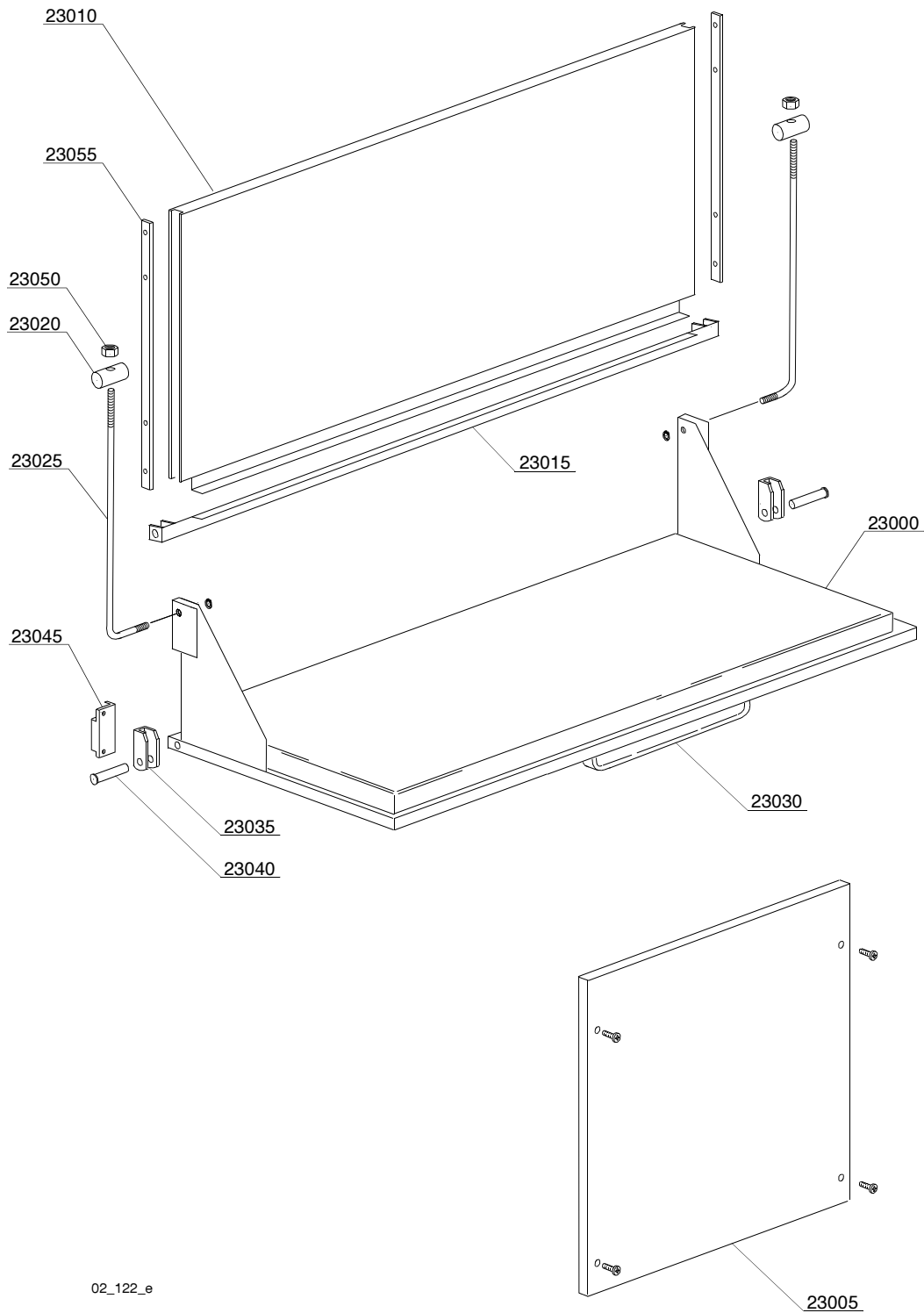
1.2 Product codes

Product code	Full name
Model codes	
em	ELECTROMECHANICAL SWITCHES
mc	SIMPLE BODY VERSION
Type codes	
35R	35R
Accessory codes	
pap	BOOSTER PUMP
dvgw	DVGW
dde	DETERGENT DISPENSER
ps	DRAIN PUMP



Spare parts

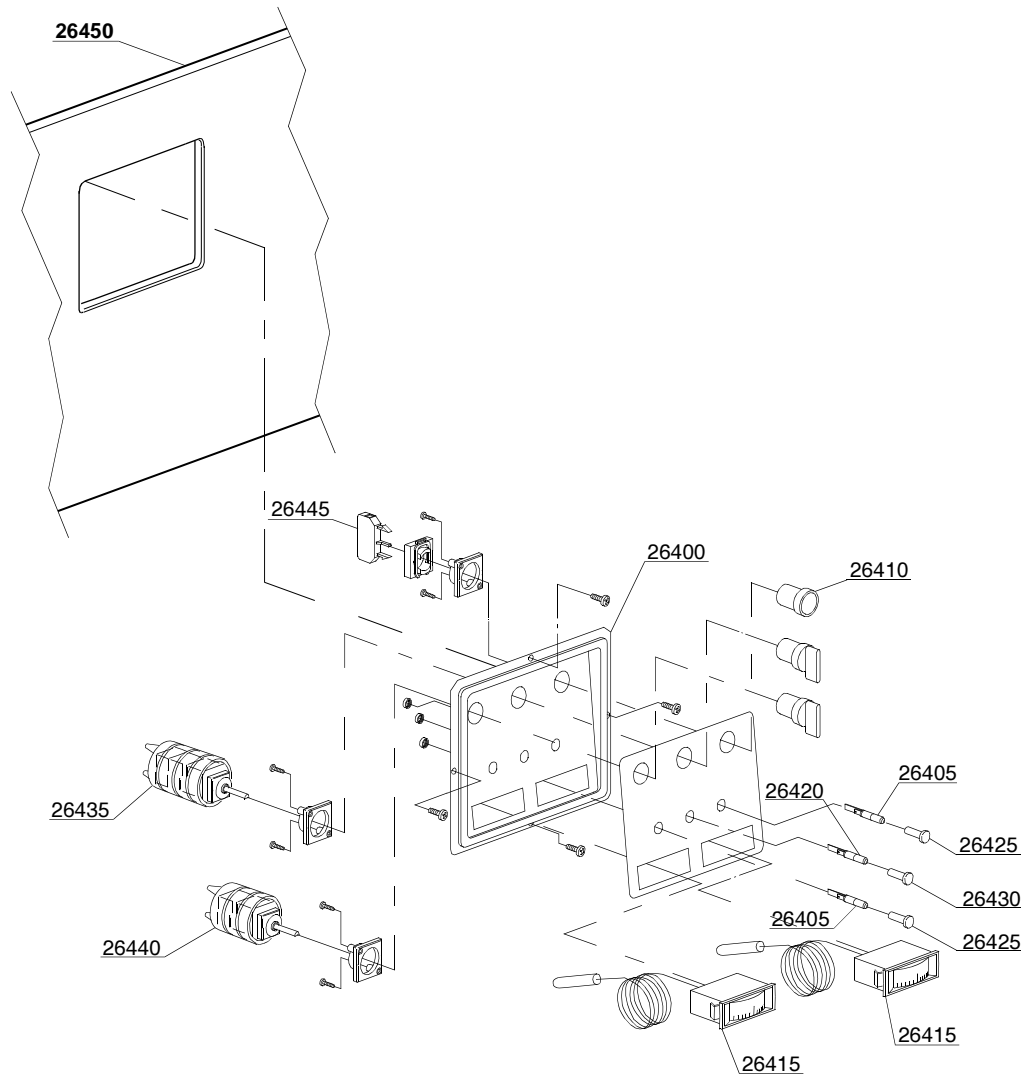
ID	P-code	Model	Type	Accessory	Voltage	Description
MODULE:General body parts						
22800	89909		35R			Back panel
22805	89910		35R			Lower back panel
22810	89902		35R			Body
22815	11600002		35R			Flange gasket
22820	11600019		35R			Terminal overflow pipe
22825	80936		35R			Right splash guard
22830	80937		35R			Left splash guard
22835	80116		35R			Foot
22840	89933		35R			Overflow pipe
22845	15613		35R			Drain elbow
22850	30001011		35R			9KW heating element
22855	80931		35R			Chimney splash guard
22860	89903		35R			Tank
22865	89904		35R			Base
22870	89905		35R			Right lower panel
22875	89906		35R			Left lower panel
22880	89926		35R			Upper chimney
22885	89911		35R			Right internal slide
22890	89912		35R			Left internal slide
22895	89916		35R			Front surface filter
22900	89915		35R			Back surface filter
22905	88302		35R			Trap filter
22910	88114		35R			Nut
22915	89006		35R			Reed-holder
22920	2000309		35R			Economizer reed
22925	10200171		35R			25x17x2 gasket
22930	22214		35R			Nut
22935	C118		35R			Stainless steel basket with wheels



02_122_e

Spare parts

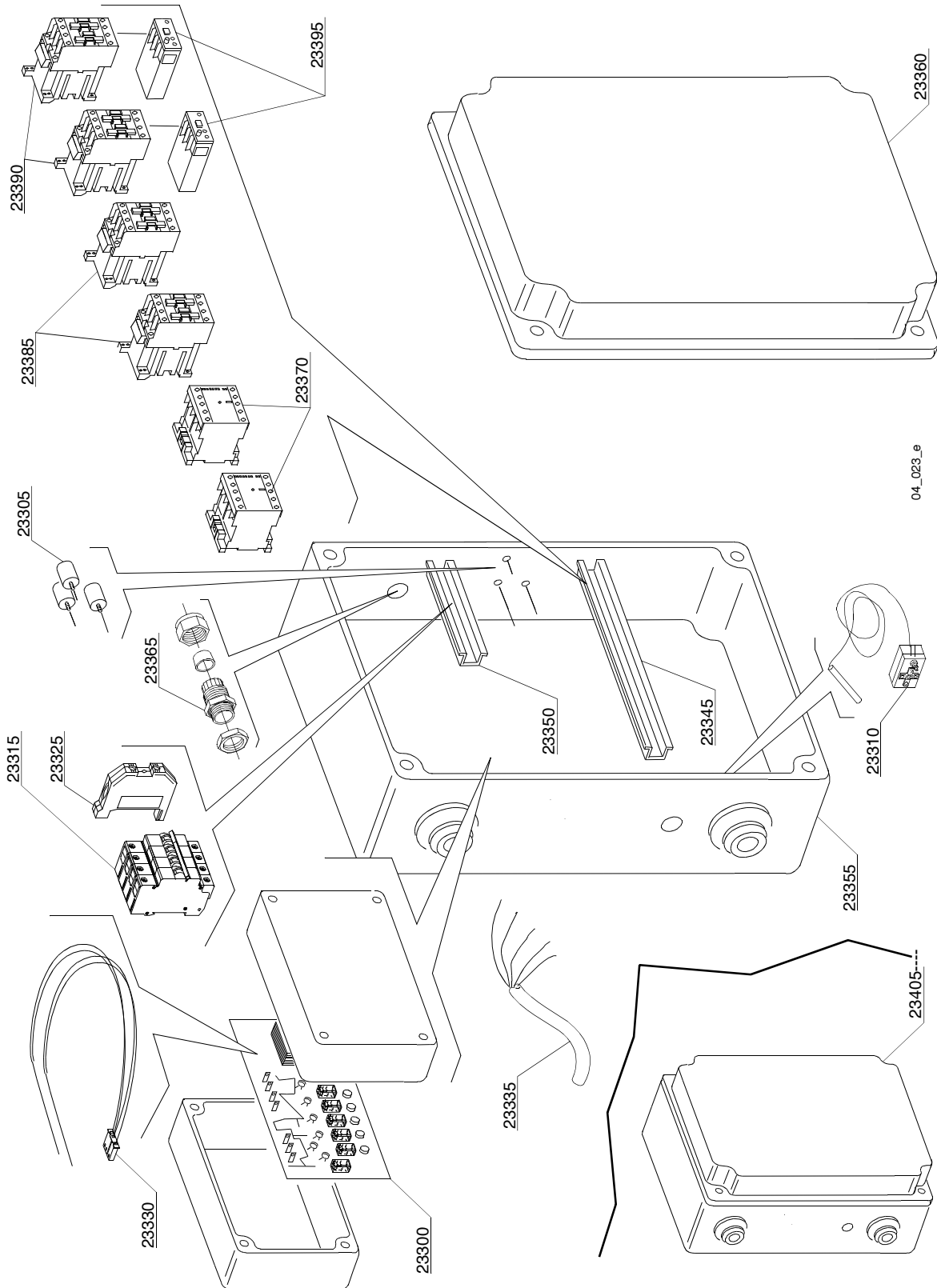
ID	P-code	Model	Type	Accessory	Voltage	Description
MODULE:Lockup system						
23000	89901		35R			Door with steel handle
23005	89907		35R			Lower door
23010	89900		35R			Upper door
23015	89922		35R			Levers support
23020	22219		35R			Small cylinders
23025	22220		35R			Door rod
23030	80750		35R			Stainless steel handle
23035	22206/B		35R			Door support
23040	22220/A		35R			Hinge door
23045	80232		35R			Reed magnet
23050	11721		35R			Nut
23055	80700		35R			Slide for door



03_030_e

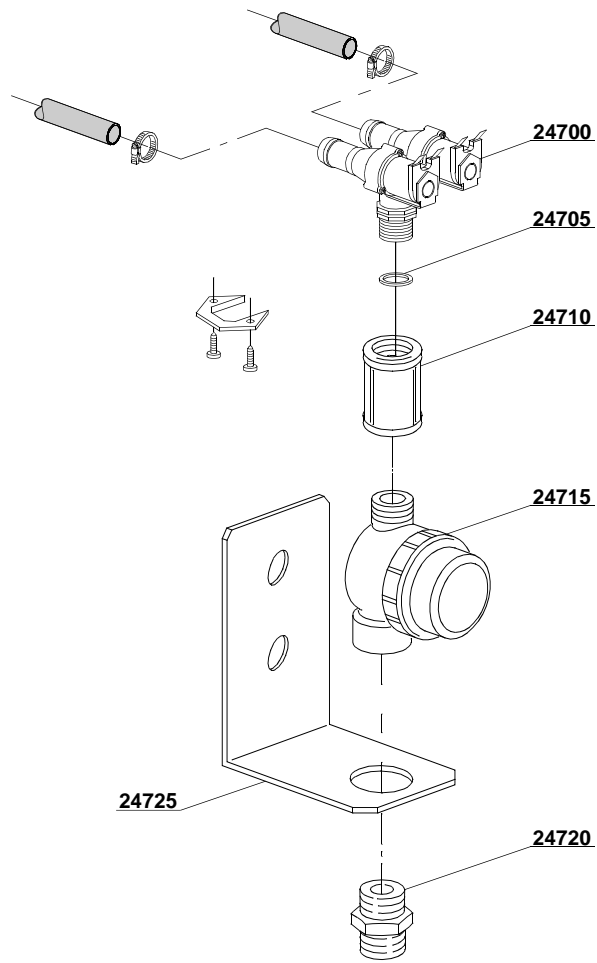
Spare parts

ID	P-code	Model	Type	Accessory	Voltage	Description
MODULE:Control panel						
26400	88935		35R			Stainless steel control panel
26405	15826		35R			Pilot lamp
26410	3002053		35R			Green push button
26415	10500005		35R			Thermometer
26420	15826/A		35R			Transparent lamp
26425	15826/B		35R			Green gem
26430	15826/C		35R			Red gem
26435	80410		35R			5 position selector with knob
26440	30009001		35R			0-1 selector with knob
26445	3002054		35R			Green contact piece (NO)
26450	89908		35R			Right lower door
26450	88908		35R			Lower door



Spare parts

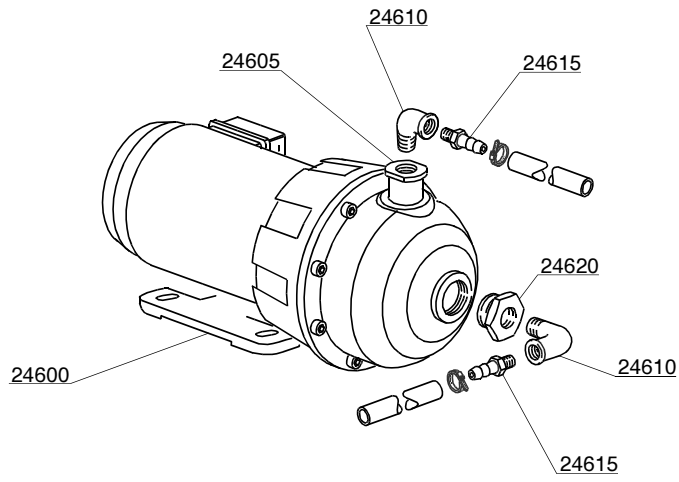
ID	P-code	Model	Type	Accessory	Voltage	Description
MODULE:Control electric components						
23300	50556		35R		A	3/6/9 min. electronic timer
23305	15149		35R			Low noise filter
23310	2000430		35R			Safety thermostat
23315	2000411		35R			Automatic fuse C32
23325	10300401		35R			6/8mm ² yellow/green terminal
23330	50563		35R			Thermostat probe
23335	80200		35R			5x4x3400 cable
23345	80408		35R			L=345mm slide
23350	80409		35R			L=140mm slide
23355	80417		35R			Fairlead
23360	80407		35R			Proof box
23365	80414		35R			Cable-press
23370	15086		35R			Remote control switch 230V 50/60Hz 4C
23385	10300050		35R			25A/12A remote control switch
23390	10300054		35R			25A/16A remote control switch
23395	2907080		35R			6-10A temperature relay
23405	89100		35R			400Vac 3N complet electric box



05_006_e

Spare parts

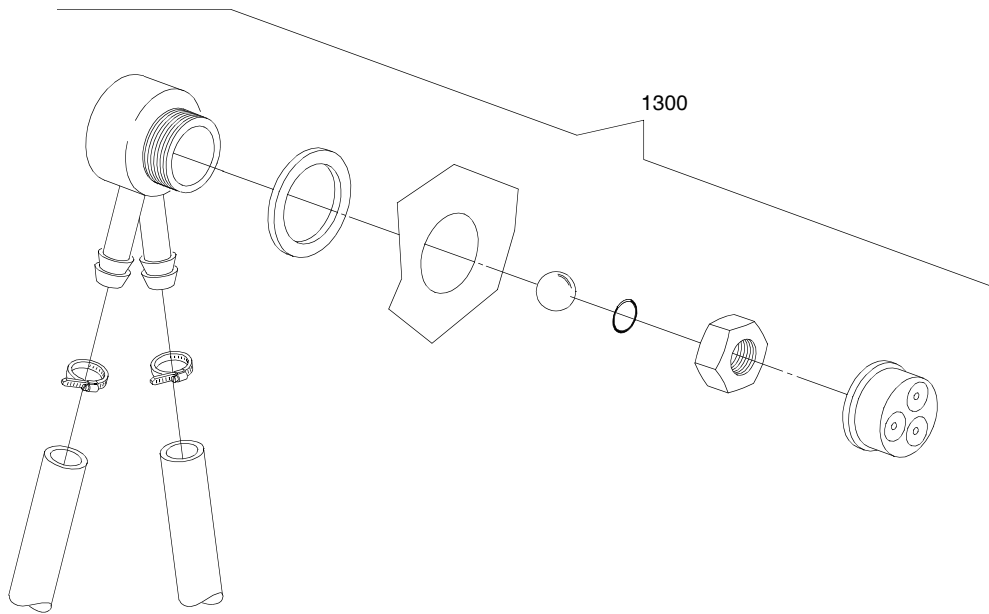
ID	P-code	Model	Type	Accessory	Voltage	Description
MODULE:Solenoid valve group						
24700	30001001		35R			Single solenoid valve
24705	N.C.		35R			Pression reducing valve
24710	80275		35R			Pipe coupling
24715	2000121		35R			Filter
24720	12025		35R			Nipple
24725	22236		35R			Support



07_004_e

Spare parts

ID	P-code	Model	Type	Accessory	Voltage	Description
MODULE:Booster pump						
24600	15100/L		35R	bp		Booster pump
24605	80273		35R	bp		1 - 3/8 pipe fitting
24610	12017		35R	bp		Elbow
24615	10221311		35R	bp		Rubber-holder
24620	80272		35R	bp		1 1/4 - 3/8 pipe fitting

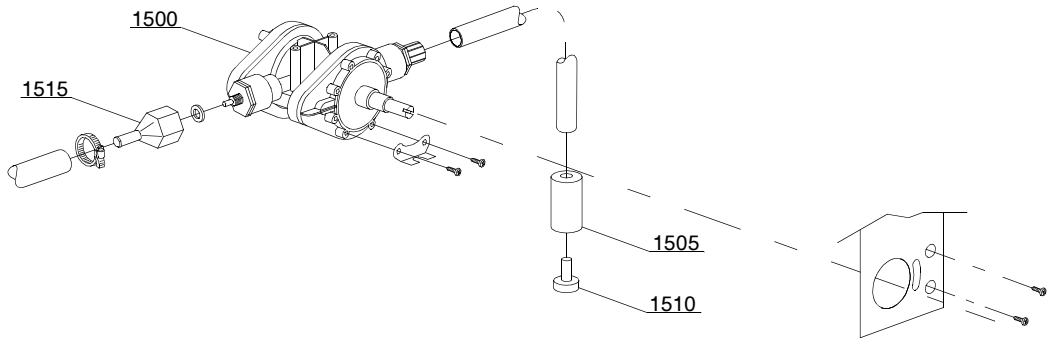


08_005_e

Spare parts

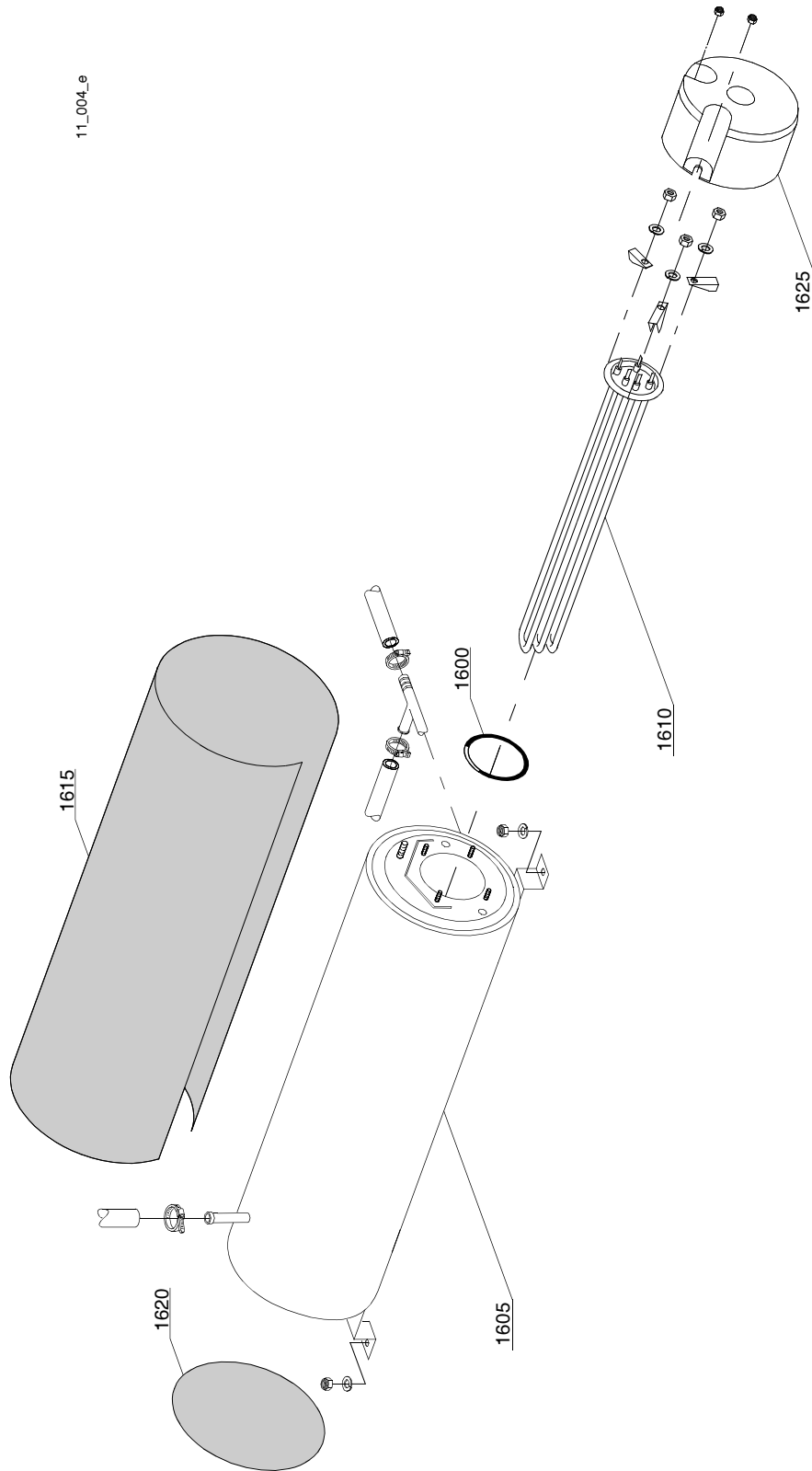
ID	P-code	Model	Type	Accessory	Voltage	Description
MODULE:DVGW						
1300	999900006		35R	dvgw		DVGW assembly

10_002_e



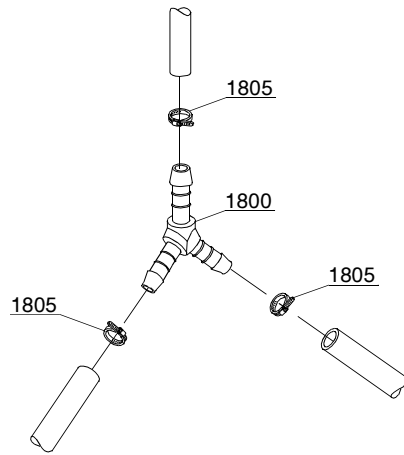
Spare parts

ID	P-code	Model	Type	Accessory	Voltage	Description
MODULE:Shining product dosing device group						
1500	10798		35R			Shining product dosing device
1505	12525		35R			Counter-weight
1510	15058		35R			Small filter
1515	10798/B		35R			Brass pipe fitting



Spare parts

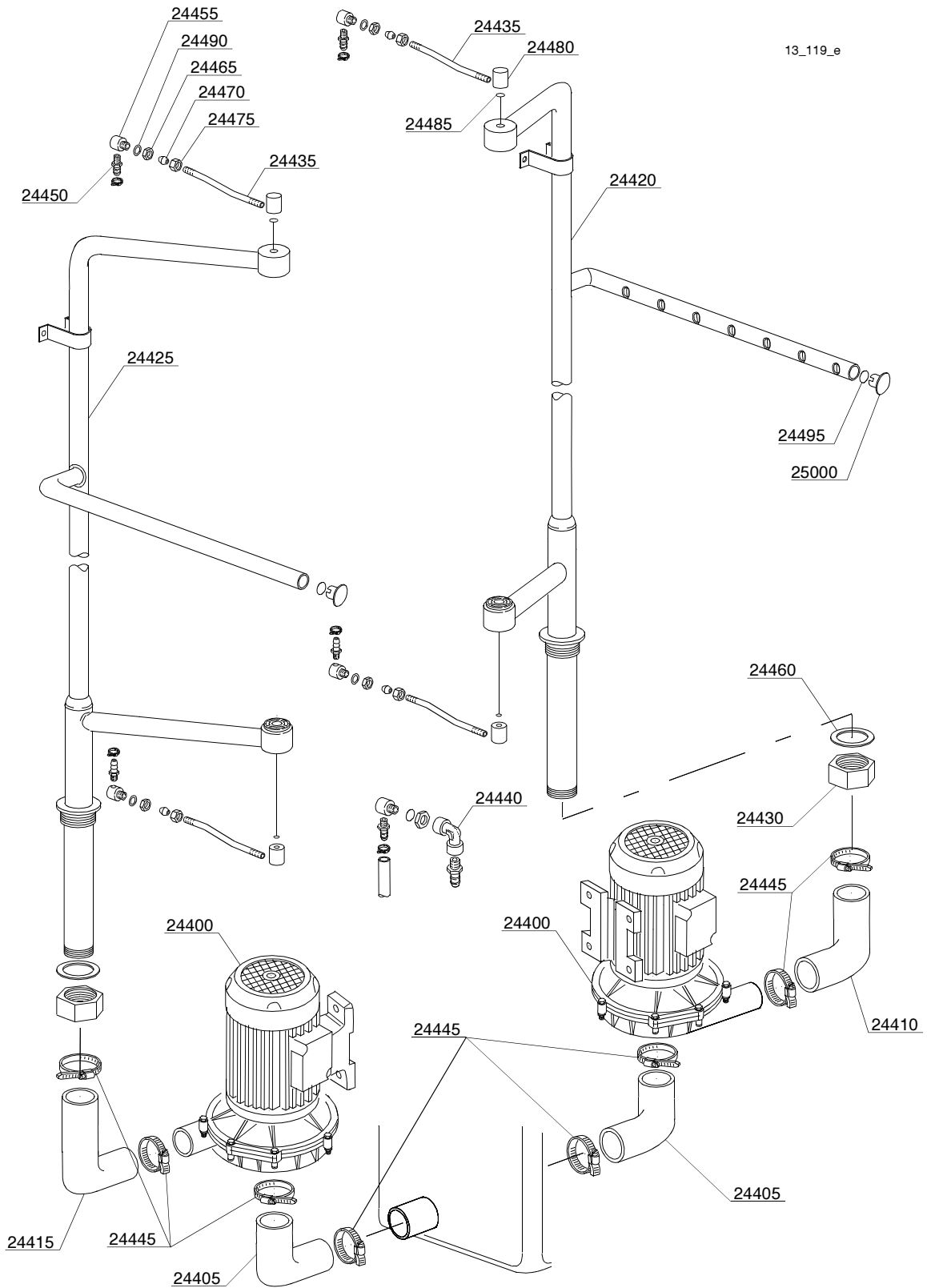
ID	P-code	Model	Type	Accessory	Voltage	Description
MODULE:Boiler group						
1600	13015		35R			6225 OR 160 NBR gasket
1605	89005		35R			Boiler
1610	30001011		35R			9KW heating element
1615	30002030		35R			Insulating boiler
1620	75205		35R			O160 bottom
1625	75311		35R			Heating element guard



12_003_e

Spare parts

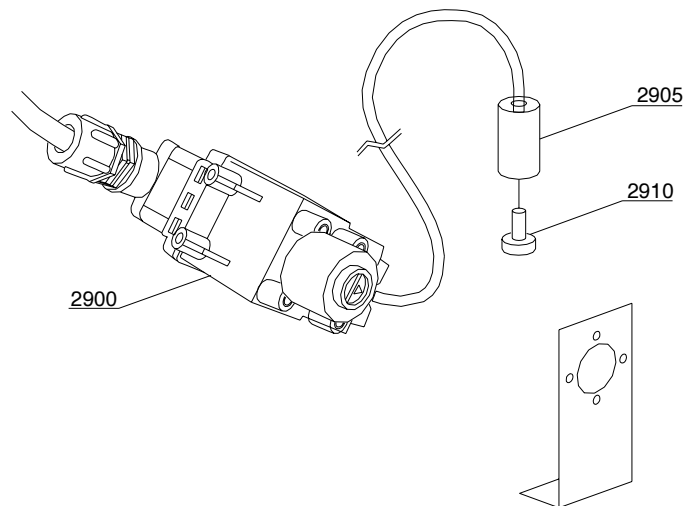
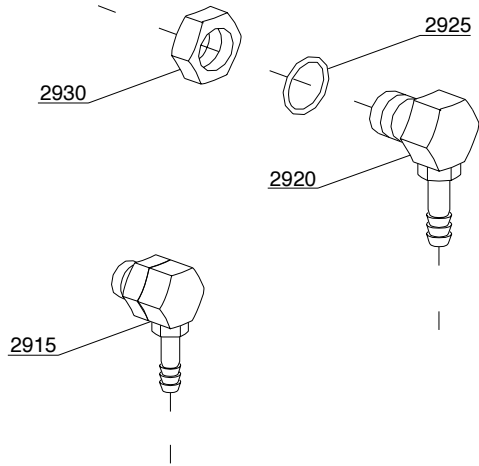
ID	P-code	Model	Type	Accessory	Voltage	Description
MODULE:3 ways derivation						
1800	540091		35R			O12 mm plastic 3 ways derivation
1805	11807		35R			12/22 clamp



Spare parts

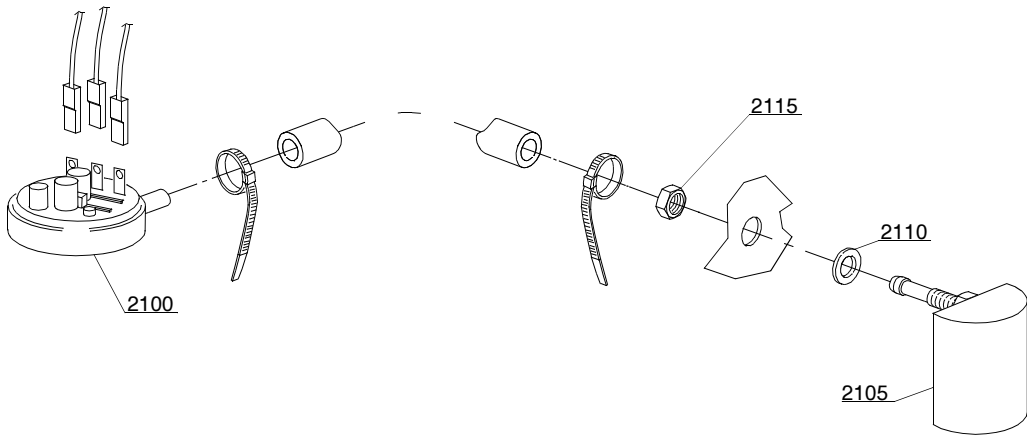
ID	P-code	Model	Type	Accessory	Voltage	Description
MODULE:Wash pump						
24400	80912		35R			3,6Hp wash pump
24405	3002020		35R			Suction pipe coupling
24410	10200124/A		35R			Right top delivery pipe
24415	550221		35R			Left top delivery pipe
24420	89001		35R			Right wash ramp
24425	89002		35R			Left wash ramp
24430	88127		35R			Ramp fixing nut
24435	89004		35R			Rinse pipe
24440	12018		35R			Elbow
24445	2902491		35R			60/80 clamp
24450	12005		35R			Rubber-holder
24455	80231		35R			Rinse pipe fitting
24460	10200173/A		35R			75x58x3 gasket
24465	10200101		35R			Nut
24470	10200182		35R			Bicone washer
24475	10600016		35R			Nut
24480	10600202		35R			Rinse elbow
24485	13009		35R			OR 2050 NBR gasket
24490	10200171		35R			25x17x2 gasket

14_002_e



Spare parts

ID	P-code	Model	Type	Accessory	Voltage	Description
MODULE:Dosing device group						
2900	15108/L		35R	dd		Lang dosing device
2905	12525		35R	dd		Counter-weight
2910	15058		35R	dd		Small filter
2915	15123		35R	dd		Compleat plastic injector
2920	15148		35R	dd		Steel injector
2925	15159		35R	dd		OR gasket
2930	10200205		35R	dd		M12x1 stainless steel nut

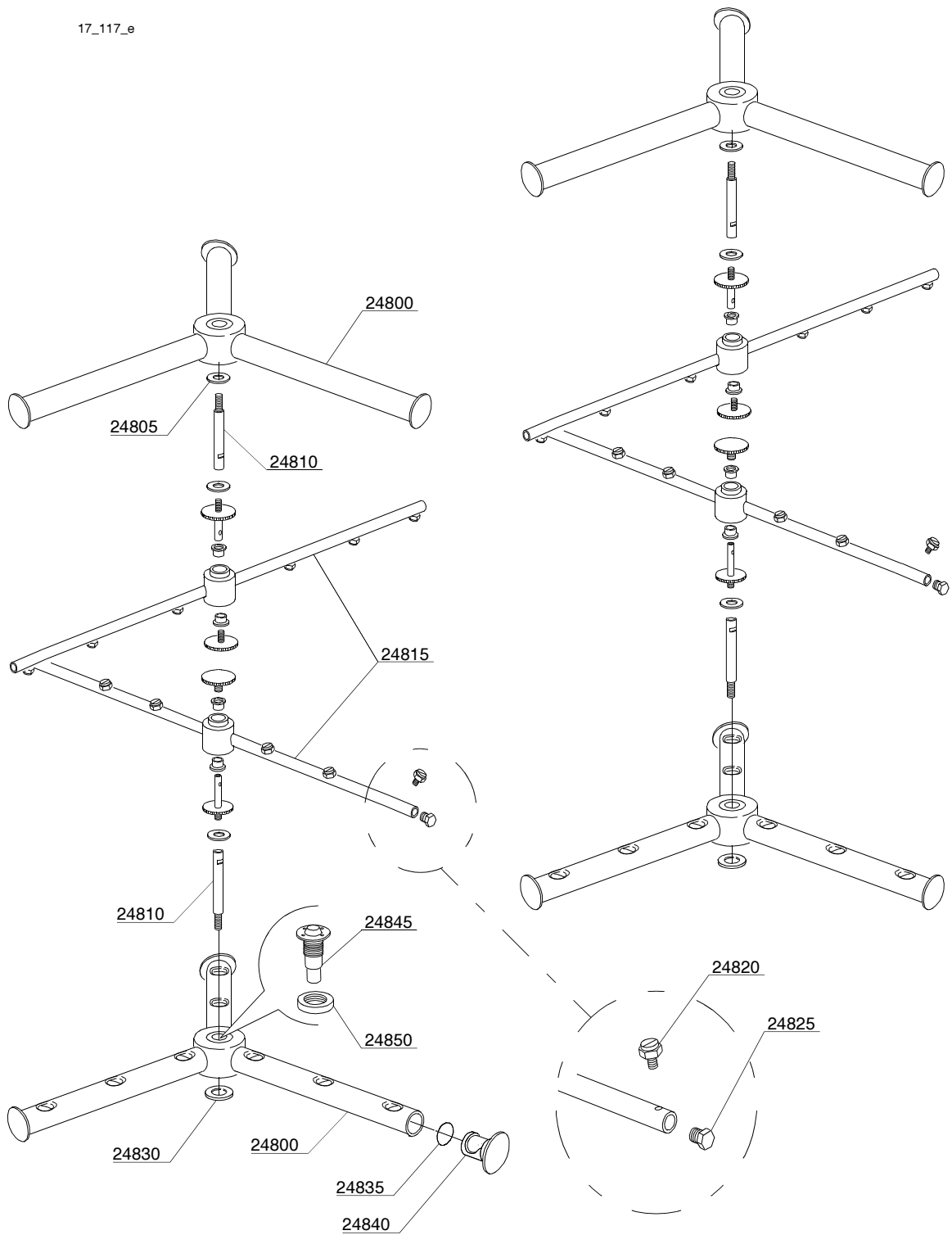


16_001_e

Spare parts

ID	P-code	Model	Type	Accessory	Voltage	Description
MODULE:Pressure switch group with air trap						
2100	88110		35R			260-30 pressure switch
2105	80106		35R			Air trap assembly
2110	13301		35R			Gasket
2115	11702		35R			M8 stainless steel nut

17_117_e



Spare parts

ID	P-code	Model	Type	Accessory	Voltage	Description
MODULE:Turret group with rotating arms						
24800	90004		35R			Upper/lower complet wash rotor
24805	13009		35R			OR 2050 NBR gasket
24810	80321		35R			Top axle
24815	90003		35R			Rinse group
24820	560018		35R			Stainless steel rinse nozzle
24825	560017		35R			Rinse arm plug
24830	11600033		35R			Flux reducer
24835	13023		35R			OR 131 (4093) NBR gasket
24840	3003029		35R			Plastic plug
24845	88975		35R			Hub for rotor
24850	75317		35R			Nut for hub