

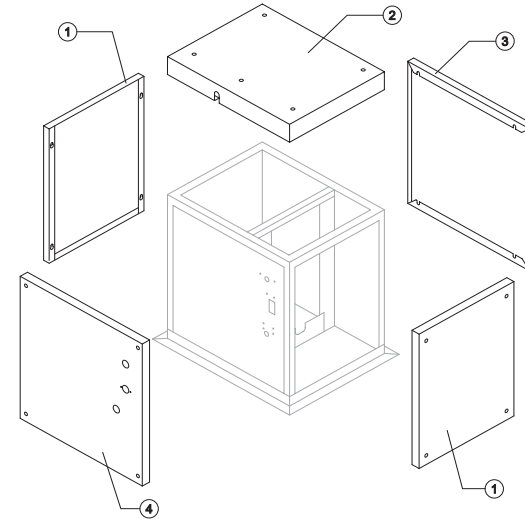


MUSTER 350 SPLIT

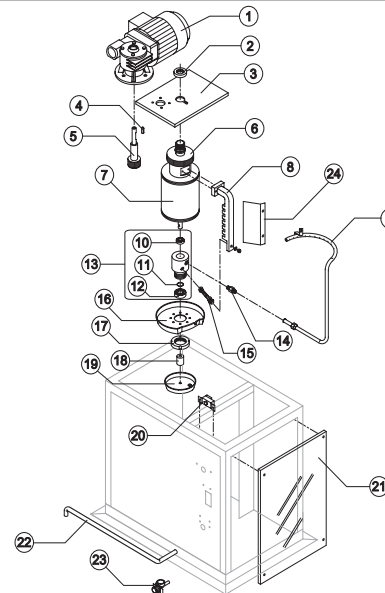
LIST OF THE EXPLODED VIEWS



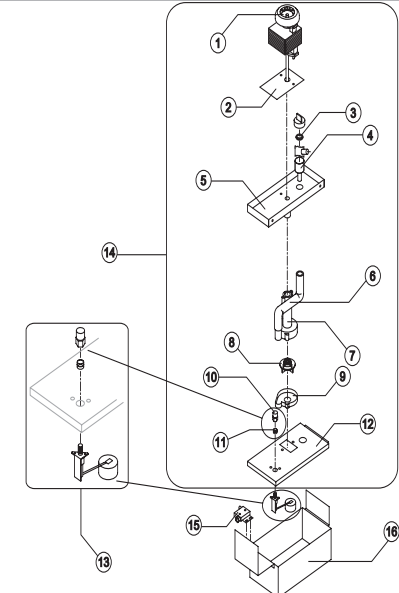
SHELL ASSY



EVAPORATOR



PUMP

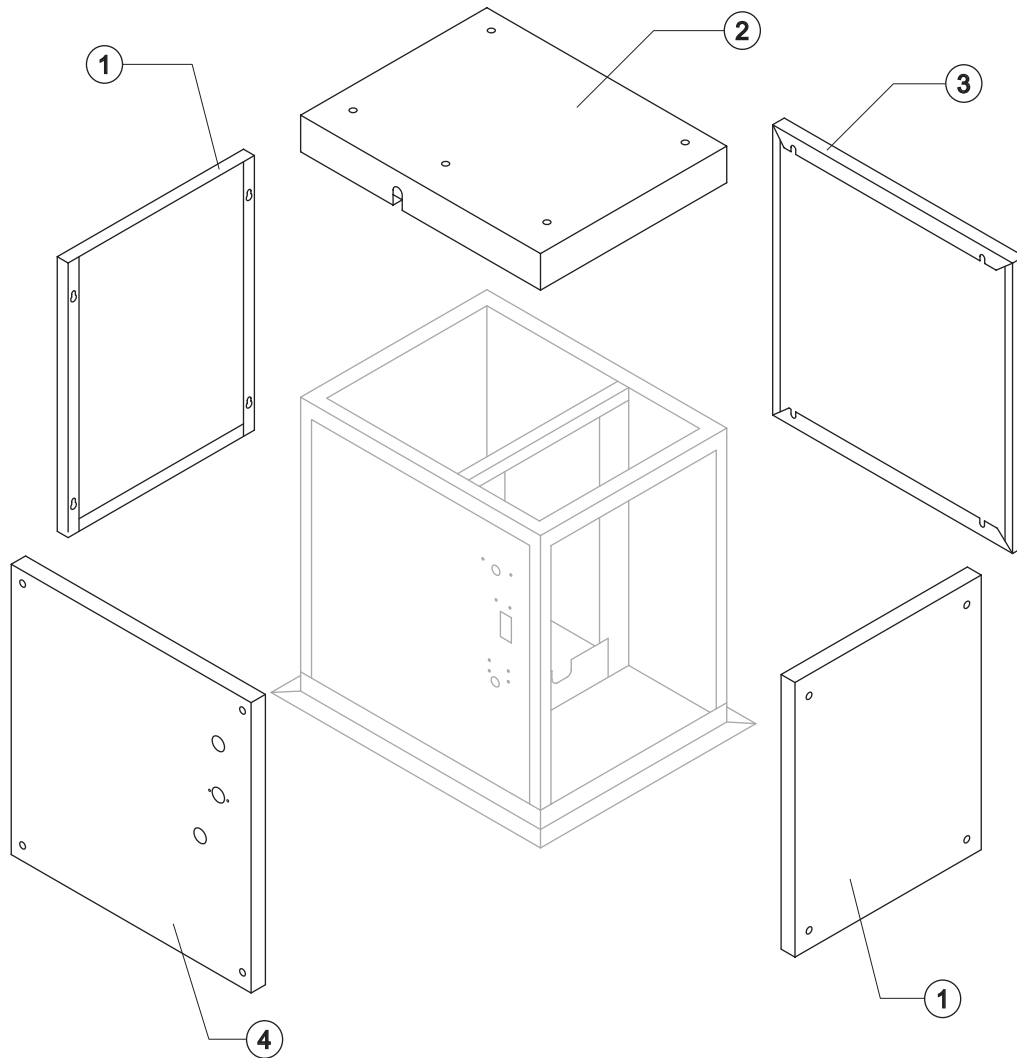


Rev. 3 - 2/7/2003



MUSTER 350 SPLIT

SHELL ASSY



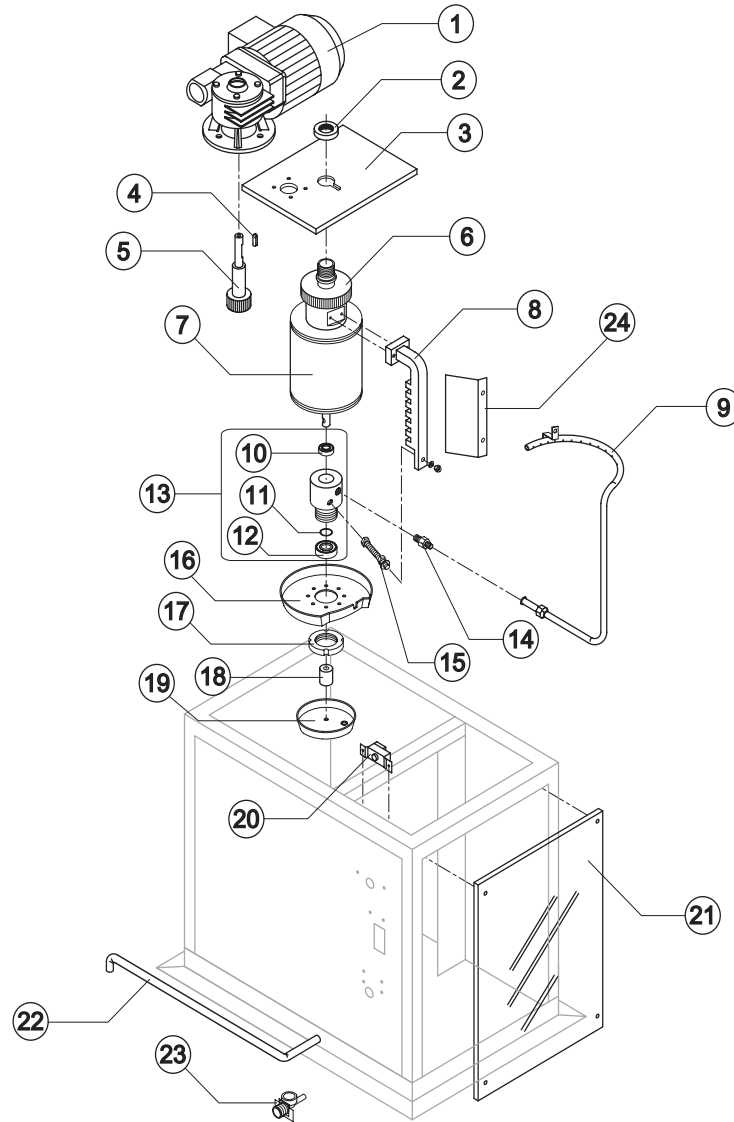
Ref.	Spare Description	Code
1	Front & Rear Panel	22469
2	Top Assembly	C22468
3	Right Side	22425
4	Left Side	22470

Rev. 3 - 2/7/2003



MUSTER 350 SPLIT

EVAPORATOR



Common Parts

Ref.	Spare Description	Code
1	Gearmotor Assy 220/240V 50 Hz - 220/230V 60 Hz	C23363
2	Ring Nut for Cylinder Locking	20324
3	Evaporator Support Plate	20356
4	Key 6x6x40	20350
5	Pinion with Shaft for Gearmotor	20344
6	Crown Gear	20354
7	Evaporator	See Note C11059
8	Knife	E20330
9	Sprayer Ring	C20319
10	Inox Bearing	20531
11	Silicone OR 4081 in Ring	20338
12	Inox Bearing	20045
13	Complete Rotary Ring	C10180
14	Joint	20335
15	M8 Tie Rod (to Block Knife)	20329
16	Rotary Basin	10184
17	Ring Nut for Rotary Ring	10182
18	Spacer	20321
19	Fixed Basin	C10185
20	Bin Thermostat	23421
21	Screen Evaporator Chamber	10187
22	Overflow Pipe	13088
23	1 Way Inlet Water Nipple	10239
24	Baffle Plate	10421

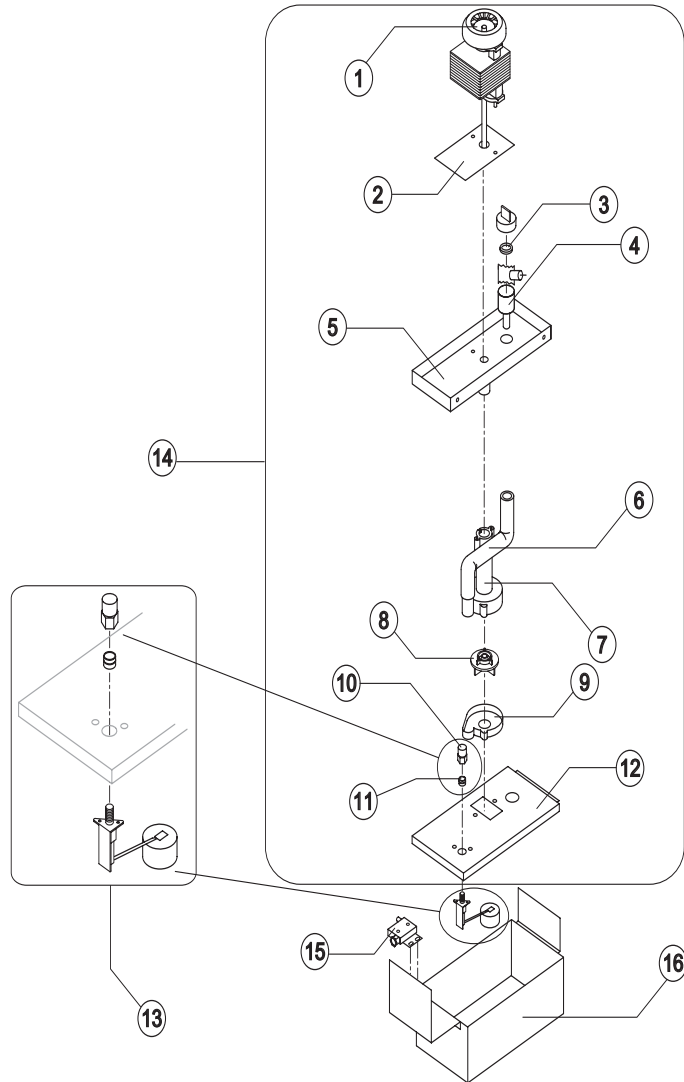


Ref. 7 - Evaporator (Cod. C11059) includes also the ref. 2 - 8 - 10 - 11 - 12 - 15 - 17 - 18



MUSTER 350 SPLIT

PUMP



Common Parts

Ref.	Spare Description	Code
1	Pump Motor	See Table
2	Heat Dissipator	22430
3	Pump Filter Gasket	13080
4	Filtering Element	20254
5	Pump Motor Holder	10161
6	Pump-Filter Fitting Pipe	13084
7	Pump Body	10065
8	Pump Impeller	10138
9	Diffuser	10067
10	Nut	20404
11	Bush	20405
12	Water Pump Basin Cover	22420
13	Floating Valve	C10188
14	Pump and Filter Assy	See Table
15	Microswitch for Overflow Ice	23373
16	Water Pump Basin	C22419

Ref. 1 - Pump Motor

Tension	Code
220-240V 50 Hz	23073
220-230V 60 Hz	23187

Ref. 14 - Pump and Filter Assy

Tension	Code
220-240V 50 Hz	C26557
220-230V 60 Hz	C26712

Rev. 3 - 2/7/2003