



Kochgeräte Grillplatten Serie 700

Artikel-Nr. 133001, 133002, 133003, 133009, 133010, 133011, 133012,
133013, 133014, 133015
(418031-131220, -136220, -131421, -531220, -536220, -532220, -531421, -
536421, -534421, -532421)

Explosionszeichnung

SPARE PARTS CATALOGUE

Introduction:

This catalog enables to recognize our appliances' main spare parts reading the single exploded views.

How to look up in our catalogue :

Hereunder we describe the correct method to look up in our catalogue, in order to locate the desired spare part in a quicker and more precise way.

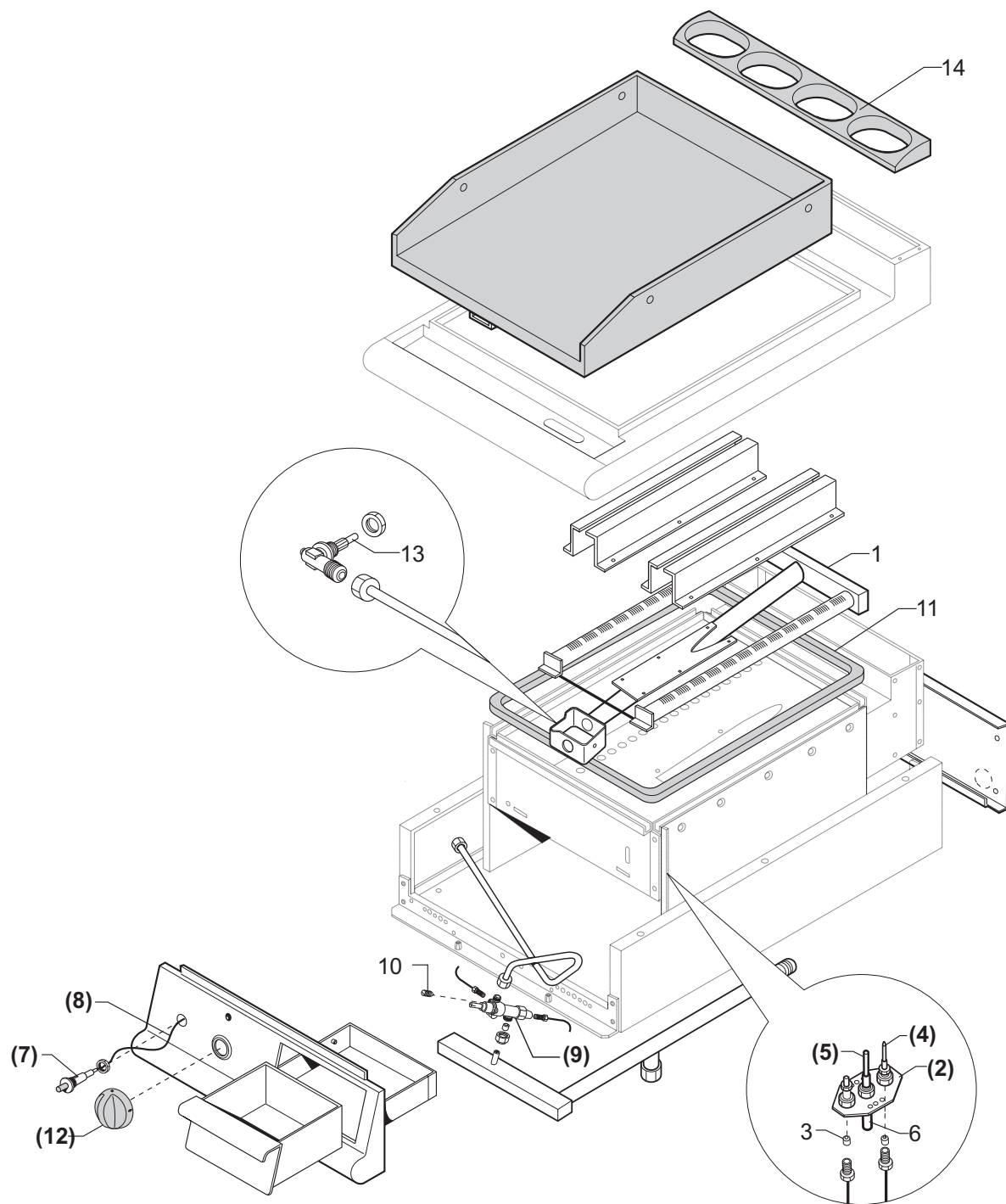
For Example: You need the component's code-number of a gasrange with burners 1/1M.

- 1) Find the appliance's model and serial number on the rating plate.
(The rating plates are positioned in the internal side of the control panel).
- 2) Search for the belonging family in the index (BCPxxx-(0B)) . (f.ex. Gasrange with burners - top 1/1M).
- 3) After you have found the corresponding table you verify if the appliance's serial number is subsequent to that one indicated in the table.
- 4) You locate the desired spare part in the drawing on the left, and find the corresponding position in the table on the right.
- 5) Hence you obtain the codenumber and the description of the spare part you need.

LEGEND:

Position on the EXPLODED VIEW			X => Recommended spare part			
Article's codenr.		Technical description	Quantity x each model		Series	
					1/2M => L=40 cm.	
					1/1M => L=80 cm.	
					1+1/2M => L=120 cm.	
Pos	Codice	Descrizione	700	1/1M		
1	822410081	Medium burner head (Dm.102)		1		
2	822410051	Medium venturi duct (Dm.102)		1		
14	826920140	Pilot burner	x	2		

cine



(.....) RICAMBIO CONSIGLIATO
 (.....) SUGGESTED SPARE-PARTS

FRY-TOP A GAS (Serie 700 - 1/2M)
 GAS FRY-TOP (Serie 700 - 1/2M)

Tav. Rif. BCP0070-(16)

RIF. Da matricola n°
 REF. From serial n°

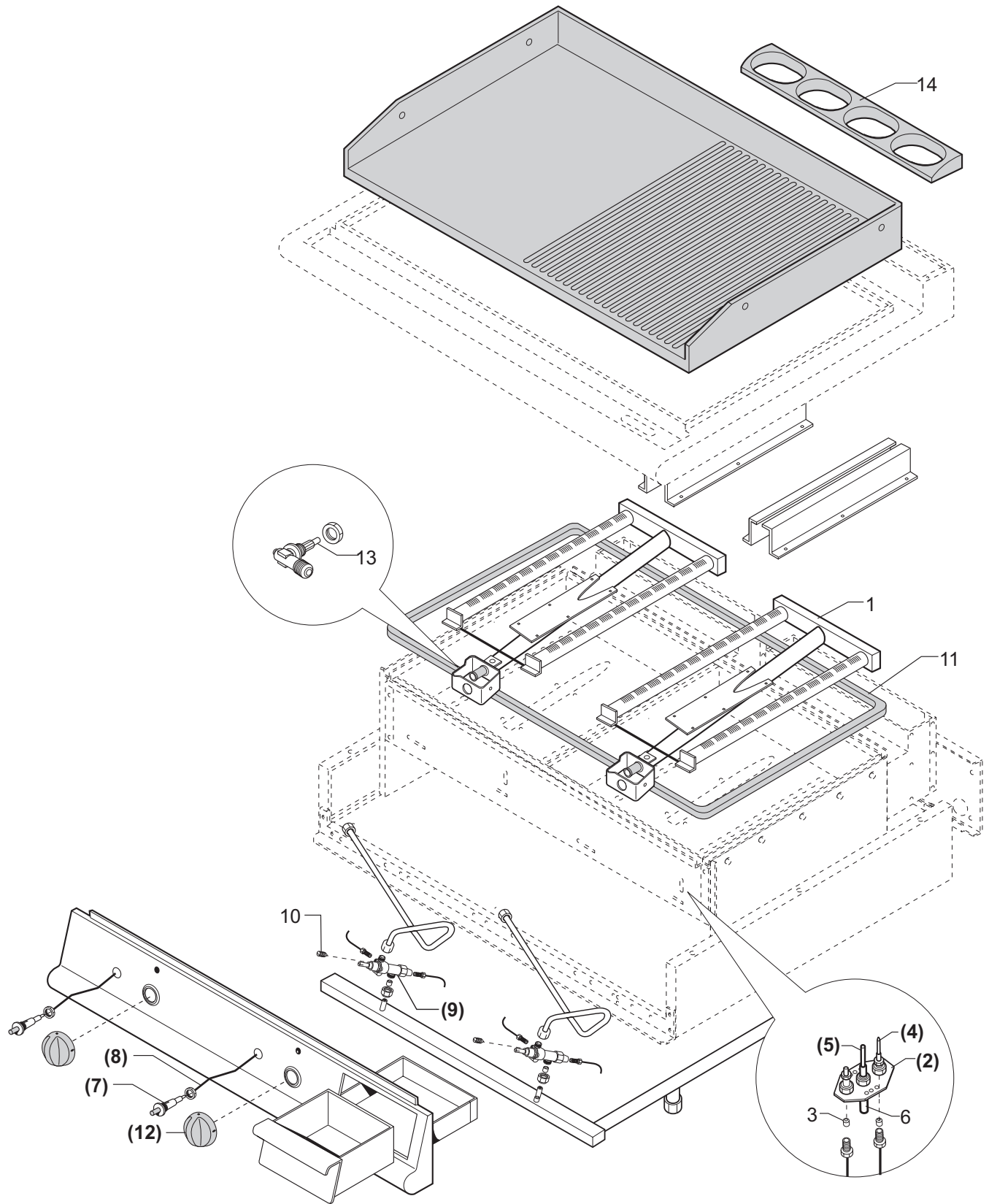
Versione Normale
 Normal version

Rev.01 del 28/10/1999

Baron Cucine Professionali S.r.l.

RIPRODUZIONE, ANCHE PARZIALE, VIETATA

BCP0070-(15)



(.....) RICAMBIO CONSIGLIATO
 (.....) SUGGESTED SPARE-PARTS

FRY-TOP A GAS (Serie 700 - 1/1M)
 GAS FRY-TOP (Serie 700 - 1/1M)

Tav. Rif. BCP0070-(18)

RIF. Da matricola n°
 REF. From serial n°

Versione Normale
 Normal version

Rev.00 del 16/06/1997

Baron Cucine Professionali S.r.l.

RIPRODUZIONE, ANCHE PARZIALE, VIETATA

BCP0070-(17)

cine p

GAS FRY-TOP

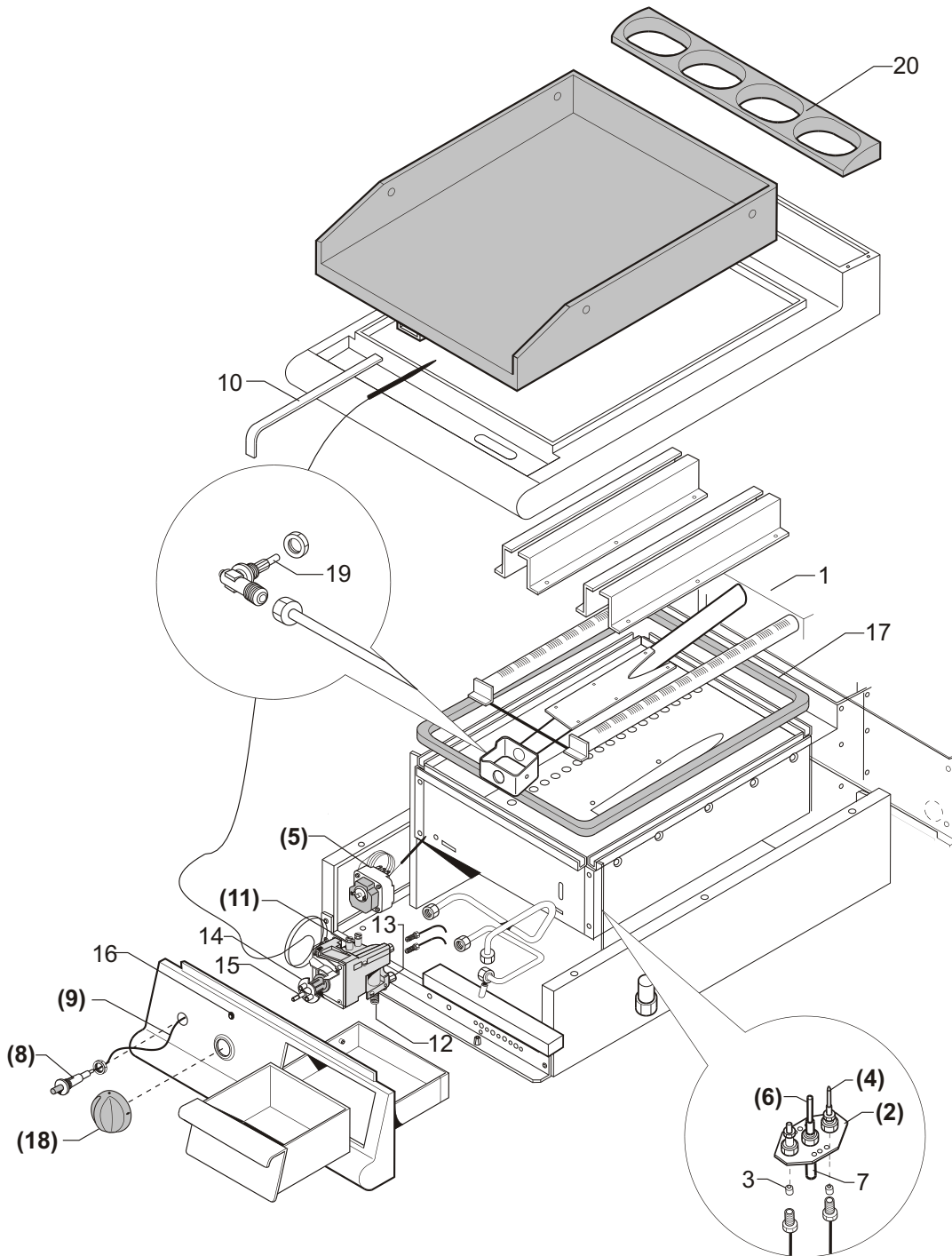
Normal version (1/1M)

Pos	Code	Denomination	700	1/1M				
1	826390023	Burner Fry-Top 700		2				
2	826920030	Pilot burner	x	2				
3	822140120	Pilot nozzle N.27		2				
3	822140380	Pilot nozzle N.19 (GPL)		2				
4	826920080	Quick themocouple M9x1 L=850	x	2				
5	826650010	Spark plug	x	2				
6	822450070	Plug holder		2				
7	826630020	Piezo lighter	x	2				
8	826690011	Lighter cable L=650 mm	x	2				
9	826920040	Gas tap PEL 21S	x	2				
10	822450230	Minimum adjusting screw 0,75 (PEL 21S)		2				
10	822450250	Minimum adjusting screw 0,85 (PEL 21S)		2				
10	822450290	Minimum adjusting screw 1,30 (PEL 21S)		2				
10	822450360	Minimum adjusting screw 1,45 (PEL 21S)		2				
11	825110080	Gasket (per meter)		2,5				
12	824710070	Knob Fry-Top with thermostat	x	2				
13	822140010	Nozzle Ø=1.10		2				
13	822140020	Nozzle Ø=1.25		2				
13	822140050	Nozzle Ø=1.90		2				
13	822140060	Nozzle Ø=2.10		2				
14	822410120	Exhaust grid		2				

X: Suggested PARTS

FRY-TOP GAS TOP (Serie 700 - 1/1M) GAS FRY-TOP		RIF.	Da matricola n°
Versione Normale Normal version		REF.	From serial n°
Baron Cucine Professionali S.r.l.		GB RIPRODUZIONE ANCHE PARZIALE, VIETATA	
			BCP0070-(18)

cin



(.....) RICAMBIO CONSIGLIATO
 (.....) SUGGESTED SPARE-PARTS

FRY-TOP A GAS (Serie 700 - 1/2M)
 GAS FRY-TOP (Serie 700 - 1/2M)

Tav. Rif. BCP0070-(20)

RIF. Da matricola n°
 REF. From serial n°

Versione con PIASTRA acciaio e/o CROMO
 Version steel and/or chromed plate

Rev.01 del 28/10/1999

Baron Cucine Professionali S.r.l.

RIPRODUZIONE, ANCHE PARZIALE, VIETATA

BCP0070-(19)

GAS FRY-TOP

cine p

Version steel and/or chromed plate (1/2M)

Pos	Code	Denomination	700 1/2M				
1	826390023	Burner Fry-Top 700		1			
2	826920030	Pilot burner	x	1			
3	822140120	Pilot nozzle N.27		1			
4	822140380	Pilot nozzle N.19 (GPL)		1			
4	826920080	Quick themocouple M9x1 L=850	x	1			
5	826920050	Interrupted thermocouple M9x1 L=600	x	1			
6	826630010	Safety thermostat	x	1			
7	826650010	Spark plug	x	1			
8	822450070	Plug holder		1			
9	826630020	Piezo lighter	x	1			
10	826690011	Lighter cable L=650 mm	x	1			
11	821110010	Bulb retainer		1			
12	826920010	EUROSIT valve gas	x	1			
13	822450020	Valve cap		2			
14	822450170	3/8" Nipple for valve		2			
15	824710060	Connection		1			
16	822160011	Extension for Knob		1			
17	825110080	Gasket (per meter)		2			
18	824710070	Knob Fry-Top with thermostat	x	1			
19	822140010	Nozzle Ø=1.10		1			
19	822140020	Nozzle Ø=1.25		1			
19	822140050	Nozzle Ø=1.90		1			
19	822140060	Nozzle Ø=2.10		1			
20	822410120	Exhaust grid		1			

X : Suggested PARTS

FRY-TOP GAS TOP (Serie 700 - 1/2M)
GAS FRY-TOP

RIF. Da matricola n°
 REF. From serial n°

Versione con Piastra acciaio e/o Cromo
 Version steel and/or chromed plate

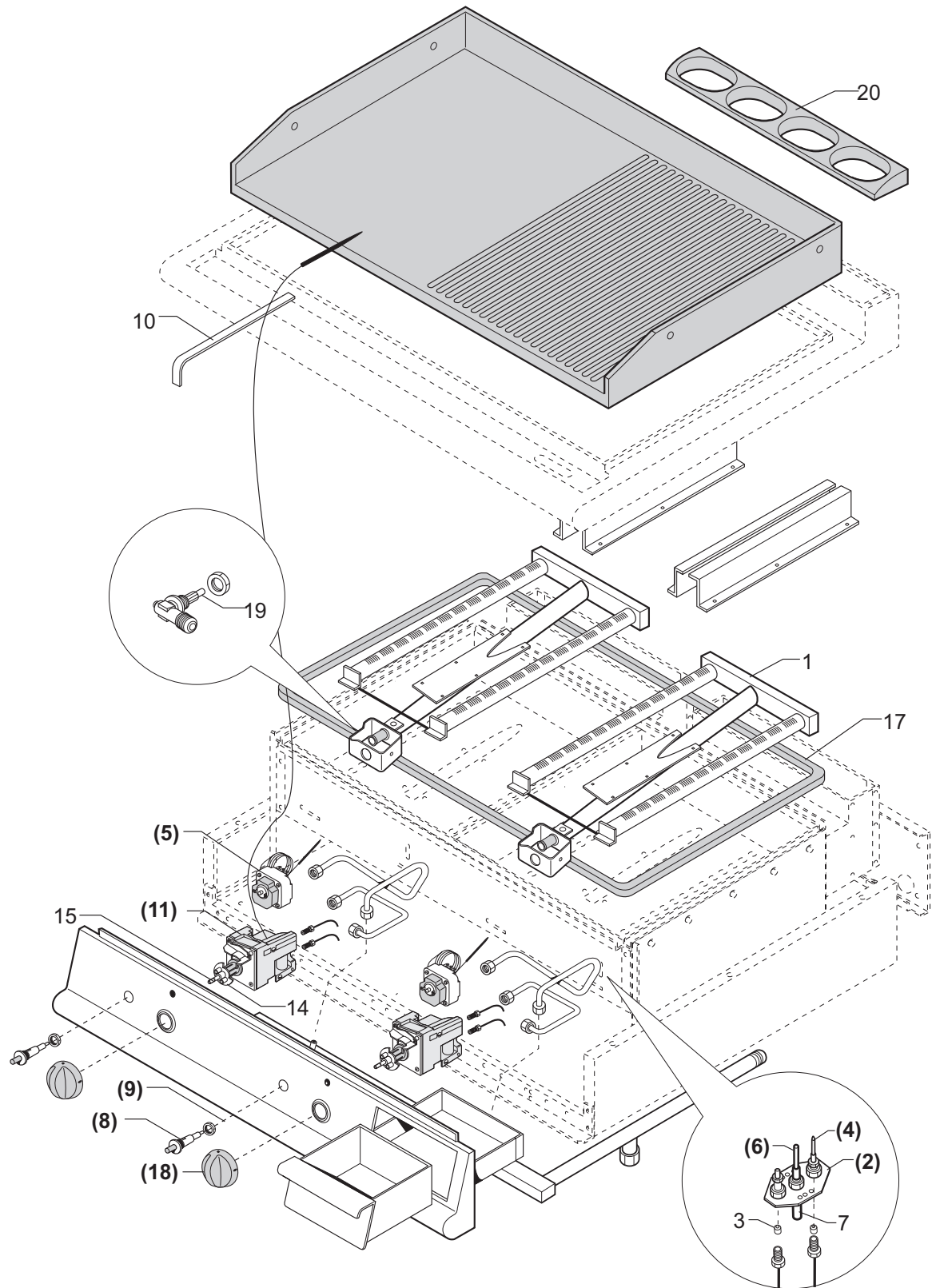
Baron Cucine Professionali S.r.l.

GB

RIPRODUZIONE ANCHE PARZIALE, VIETATA

BCP0070-(20)

cine



(.....) RICAMBIO CONSIGLIATO
(.....) SUGGESTED SPARE-PARTS

FRY-TOP A GAS (Serie 700 - 1/1M)
GAS FRY-TOP (Serie 700 - 1/1M)

Tav. Rif. BCP0070-(22)

RIF. Da matricola n°
REF. From serial n°

Versione con PIASTRA acciaio e/o CROMO
Version steel and/or chromed plate

Rev.00 del 16/06/1997

Baron Cucine Professionali S.r.l.

RIPRODUZIONE, ANCHE PARZIALE, VIETATA

BCP0070-(21)

GAS FRY-TOP

cine p

Version steel and/or chromed plate (1/1M)

Pos	Code	Denomination	700 1/1M					
1	826390023	Burner Fry-Top 700		2				
2	826920030	Pilot burner	x	2				
3	822140120	Pilot nozzle N.27		2				
4	822140380	Pilot nozzle N.19 (GPL)		2				
4	826920080	Quick themocouple M9x1 L=850	x	2				
5	826920050	Interrupted thermocouple M9x1 L=600	x	2				
6	826630010	Safety thermostat	x	2				
7	826650010	Spark plug	x	2				
8	822450070	Plug holder		2				
9	826630020	Piezo lighter	x	2				
10	826690011	Lighter cable L=650 mm	x	2				
11	821110010	Bulb retainer		2				
12	826920010	EUROSIT valve gas	x	2				
13	822450020	Valve cap		4				
14	822450170	3/8" Nipple for valve		4				
15	824710060	Connection		2				
16	822160011	Extension for Knob		2				
17	825110080	Gasket (per meter)		2,5				
18	824710070	Knob Fry-Top with thermostat	x	2				
19	822140010	Nozzle Ø=1.10		2				
19	822140020	Nozzle Ø=1.25		2				
19	822140050	Nozzle Ø=1.90		2				
19	822140060	Nozzle Ø=2.10		2				
20	822410120	Exhaust grid		2				

X : Suggested PARTS

FRY-TOP GAS TOP (Serie 700 - 1/1M) GAS FRY-TOP	RIF. REF.	Da matricola n° From serial n°
Versione con Piastra acciaio e/o Cromo Version steel and/or chromed plate		

Baron Cucine Professionali S.r.l.

GB

RIPRODUZIONE ANCHE PARZIALE, VIETATA

BCP0070-(22)