



**Kochgeräte Serie 700
Elektro-Grillplatten**

Artikel-Nr. 133106, 133119

Explosionszeichnung / Ersatzteile

Bitte bei Ersatzteilbestellung immer Seriennummer mit angeben!

ELEKTRO-GRILLPLATTEN 700 Reihe

TYP: 7FT/E400, 7FT/E405, 7FT/E410, 7FT/E415, 7FT/E800, 7FT/E805, 7FT/E810, 7FT/E815, 7FT/E820, 7FT/E825, 7FTV/E400, 7FTV/E405, 7FTV/E410, 7FTV/E415, 7FTV/E800, 7FTV/E805, 7FTV/E810, 7FTV/E815, 7FTV/E820, 7TV/E825

Ersatzteile



8. Ersatzteile

Aussenteile.....27

Innere Bestandteile.....29

8.1 Spannungscodes

| Spannung | Spannungscodes |
|----------|----------------------|
| A | 3/N/PE~400/230V 50Hz |
| B | ~250V 16A 50Hz |
| C | 3/N/PE~380/220V 50Hz |
| D | 3/PE~200V 50-60Hz |
| F | 2/PE 220-240V 50Hz |
| G | 3/N/PE~415/240V 50Hz |
| H | 3/PE~230V 50Hz |
| I | 3/PE~220V 60Hz |
| J | 3/PE~380 50Hz |
| K | 3/PE~400V 50Hz |
| L | 3/PE~415V 50Hz |
| M | 3/PE~440V 60Hz |
| N | 3/PE~460V 60Hz |
| O | 3/PE~480V 60Hz |
| P | 1/N/PE~220-240V 50Hz |
| R | 2/PE~220-230V 60Hz |
| S | 3/N/PE~400/230V 50Hz |
| T | 3/PE~230V 60Hz |
| U | 1/N/PE~100V 50-60Hz |

8.2 Produktcodes

| Produktcode | Ernennung |
|-------------|-----------|
| Typecodes | |
| 400 | 7FT/E400 |
| 405 | 7FT/E405 |
| 410 | 7FT/E410 |
| 415 | 7FT/E415 |
| 800 | 7FT/E800 |
| 805 | 7FT/E805 |
| 810 | 7FT/E810 |
| 815 | 7FT/E815 |
| 820 | 7FT/E820 |
| 825 | 7FT/E825 |
| 400V | 7FTV/E400 |
| 405V | 7FTV/E405 |
| 410V | 7FTV/E410 |
| 415V | 7FTV/E415 |
| 800V | 7FTV/E800 |
| 805V | 7FTV/E805 |
| 810V | 7FTV/E810 |
| 815V | 7FTV/E815 |
| 820V | 7FTV/E820 |
| 825V | 7FTV/E400 |

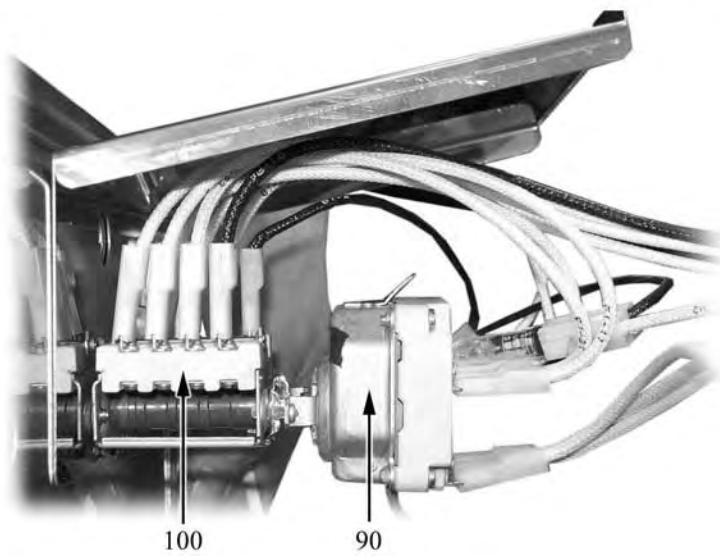
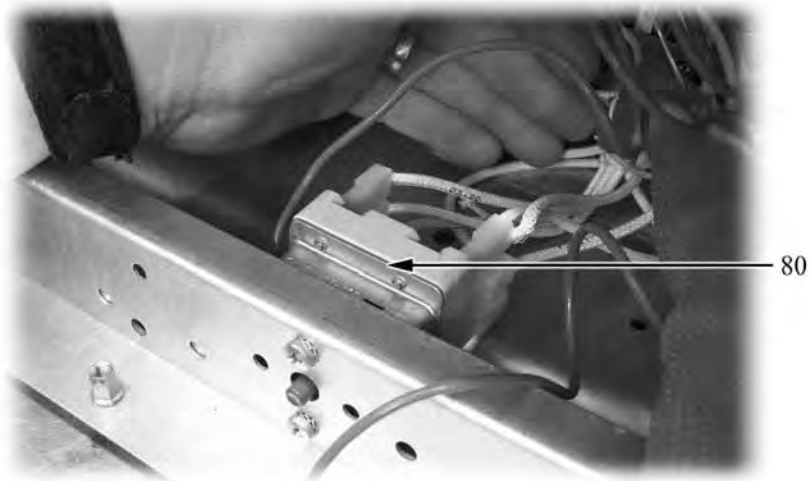
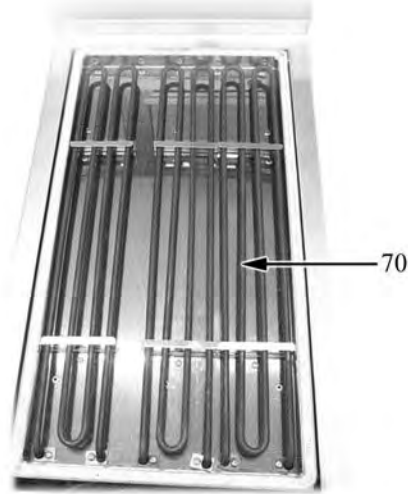


Ersatzteile

| ID | Typ | Description | P-code |
|----------------------------|------------|-------------------|-------------|
| Module: Aussenteile | | | |
| 10 | | Fuss | 826490142 |
| 20 | | Cassetto | 41826161370 |
| 35 | 400E,400VE | Platte | 41826470590 |
| | 410E,410VE | Platte | 41826470650 |
| | 405E,405VE | Platte | 41826470690 |
| | 415E,415VE | Platte | 41826470750 |
| | 800E,800VE | Platte | 41826470700 |
| | 820E,820VE | Platte | 41826470630 |
| | 810E,810VE | Platte | 41826470660 |
| | 805E,805VE | Platte | 41826470700 |
| | 825E,825VE | Platte | 41826470730 |
| | 815E,815VE | Platte | 41826470760 |
| 40 | | Knebel | 824710250 |
| 41 | | Drehknopfdichtung | 825110510 |
| 50 | | Lampe grun | 826650050 |
| 55 | | Lampe | 6A038506 |
| 60 | | Weisses glas | 6A039207 |

400E=7FT/E400, 405E=7FT/E405, 410E=7FT/E410, 415E=7FT/E415, 800E=7FT/E800, 805E=7FT/E805, 810E=7FT/E810, 815E=7FT/E815, 820E=7FT/E820, 825E=7FT/E825, 400VE=7FTV/E400, 405VE=7FTV/E405, 410VE=7FTV/E410, 415VE=7FTV/E415, 800VE=7FTV/E800, 805VE=7FTV/E05, 810VE=7FTV/E810, 815VE=7FTV/E815, 820VE=7FTV/E820, 825VE=7TV/E825

A=3/N/PE~400/230V 50Hz, H=3/PE~230V 50Hz, P=1/N/PE~220-240V 50Hz



Ersatzteile

| ID | Typ | Description | P-code |
|-----------------------------------|-----|----------------------|-------------|
| Module:Innere Bestandteile | | | |
| 70 | | Wideshtand 1266 W | 41826620070 |
| 80 | | Sicherheitshermostat | 826630130 |
| 90 | | Thermostat | 826630123 |
| 100 | | Hauptschalter | 6A046001 |

400E=7FT/E400, 405E=7FT/E405, 410E=7FT/E410, 415E=7FT/E415, 800E=7FT/E800, 805E=7FT/E805, 810E=7FT/E810, 815E=7FT/E815, 820E=7FT/E820, 825E=7FT/E825, 400VE=7FTV/E400, 405VE=7FTV/E405, 410VE=7FTV/E410, 415VE=7FTV/E415, 800VE=7FTV/E800, 805VE=7FTV/E05, 810VE=7FTV/E810, 815VE=7FTV/E815, 820VE=7FTV/E820, 825VE=7TV/E825

A=3/N/PE~400/230V 50Hz, H=3/PE~230V 50Hz, P=1/N/PE~220-240V 50Hz