

ITEM	DESCRIPTION	SPARES CODE
1	L.H. OUTER SIDE PANEL	734260000
2	R.H. OUTER SIDE PANEL	734260001
3	AIR FILTER	734260002
4	L.H. DOOR ASSEMBLY	734260003
5	R.H. DOOR ASSEMBLY	734260004
6	DOOR SEAL ASSEMBLY	734260005
7	OVEN SHELF	734260006
8	OVEN SHELF HANGER	734260007
9	L.H. TOP DOOR HINGE	535200006
10	L.H. BOTTOM DOOR HINGE	734260008
11	R.H. TOP DOOR HINGE	535200008
12	R.H. BOTTOM DOOR HINGE	734260009
13	HOB PANEL ASSEMBLY	734260010
14	DOOR CATCH	535480054
15	FOOT	734260011
16	CONTROL PANEL	734260012

Production

ISSUE	MOD No	ALTERATION	DRAWN BY	DATE
A	1260/1	ISSUED FOR PRODUCTION	L.HAMILTON	15-03-11

IF IN DOUBT ASK
DO NOT SCALE
FIRST ANGLE PROJECTION

UNLESS OTHERWISE SPECIFIED:
DIMENSIONS ARE IN MILLIMETERS
TOLERANCES:
LINEAR: ±0.5mm
ANGULAR: ±0.5 DEG

DEBUR AND
BREAK SHARP EDGES

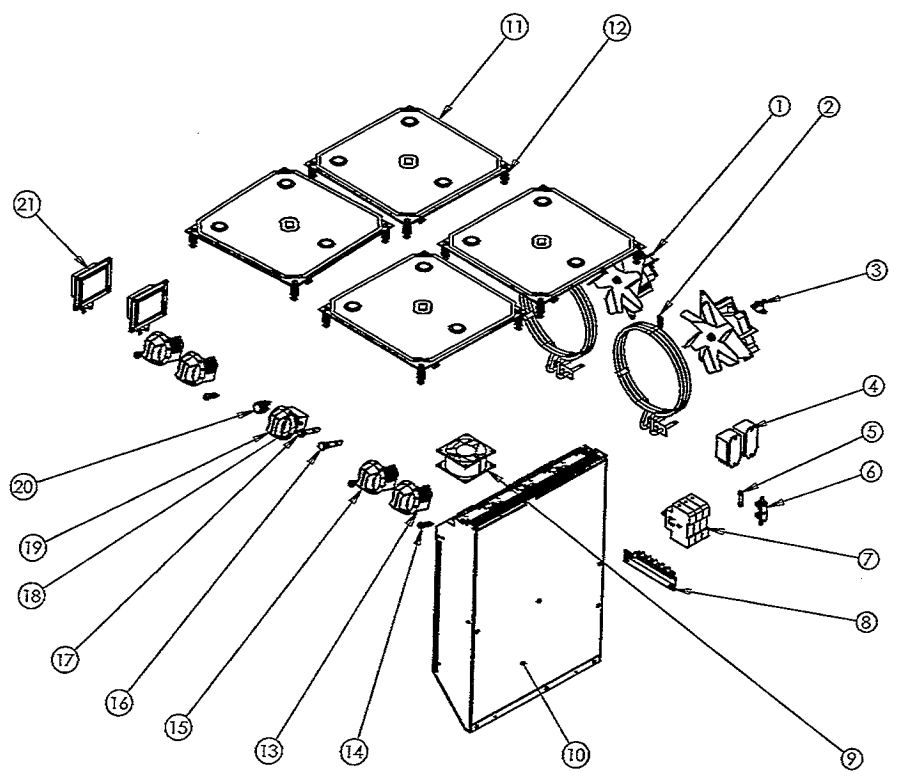
WEIGHT: 135915.99g



DRAWN: L.HAMILTON
DATE: 10-03-11
SCALE: 1:10
MATERIAL:
THICKNESS:
BIN No:

PRODUCT E2914i INDUCTION RANGE		DRAWING NUMBER	ISSUE
TITLE SPARES DIAGRAM - FITMENTS		AA48293	A
FINISH:		PART No:	

NO REPRODUCTION OR PUBLICATION OF THIS DRAWING MAY BE MADE AND NO ARTICLE MAY BE MANUFACTURED OR ASSEMBLED IN ACCORDANCE WITH THIS DRAWING WITHOUT PRIOR WRITTEN CONSENT. THIS PROHIBITION IS A TERM OF ANY CONTRACT RELATING TO THIS DRAWING. RIGHTS RESERVED UNDER THE COPYRIGHT ACT 1956 AS AMENDED BY THE DESIGN COPYRIGHT ACT 1968



ITEM	DESCRIPTION	SPARES CODE
1	OVEN FAN	731050007
2	OVEN ELEMENT	535420009
3	OVEN SAFETY THERMOSTAT	731050009
4	RELAY	734243005
5	FUSE 2A	734243006
6	FUSE HOLDER	535500052
7	40A MCB	734250009
8	TERMINAL BLOCK	731000006
9	COOLING FAN	734260012
10	INDUCTION GENERATOR	734250001
11	INDUCTION COIL C/W FIXINGS	734250002
12	COIL FIXING KIT	734250003
13	SWITCH C/W POT. & LOOM	734250005
14	GREEN INDICATOR	734250006
15	INDUCTION CONTROL KNOB	734250008
16	RED INDICATOR	731000008
17	AMBER INDICATOR	731000007
18	FAN SWITCH C/W THERMOSTAT	731050004
19	OVEN CONTROL KNOB	535420002
20	LIGHT SWITCH	734243004
21	OVEN LAMP ASSY	734243007

Production

ISSUE	MOD No	ALTERATION	DRAWN BY	DATE
A	1260/1	ISSUED FOR PRODUCTION	LHAMILTON	15-03-11

IF IN DOUBT ASK
DO NOT SCALE
FIRST ANGLE PROJECTION

UNLESS OTHERWISE SPECIFIED:
DIMENSIONS ARE IN MILLIMETERS
TOLERANCES:
LINEAR: ±0.5mm
ANGULAR: ±0.5 DEG

DEBUR AND
BREAK SHARP EDGES

WEIGHT: 48006.98g



DRAWN: LHAMILTON	PRODUCT	E2914i INDUCTION RANGE	
DATE: 11-03-11	TITLE	SPARES DIAGRAM - CONTROLS	
SCALE: 1:10	DRAWING NUMBER	AA48292	ISSUE A
MATL:	PART No:		
THICKNESS:	FINISH:		
BIN No:			

NO REPRODUCTION OR PUBLICATION OF THIS DRAWING MAY BE MADE AND NO ARTICLE MAY BE MANUFACTURED OR ASSEMBLED IN ACCORDANCE WITH THIS DRAWING WITHOUT PRIOR WRITTEN CONSENT. THIS PROHIBITION IS A TERM OF ANY CONTRACT RELATING TO THIS DRAWING. RIGHTS RESERVED UNDER THE COPYRIGHT ACT 1966 AS AMENDED BY THE DESIGN COPYRIGHT ACT 1968