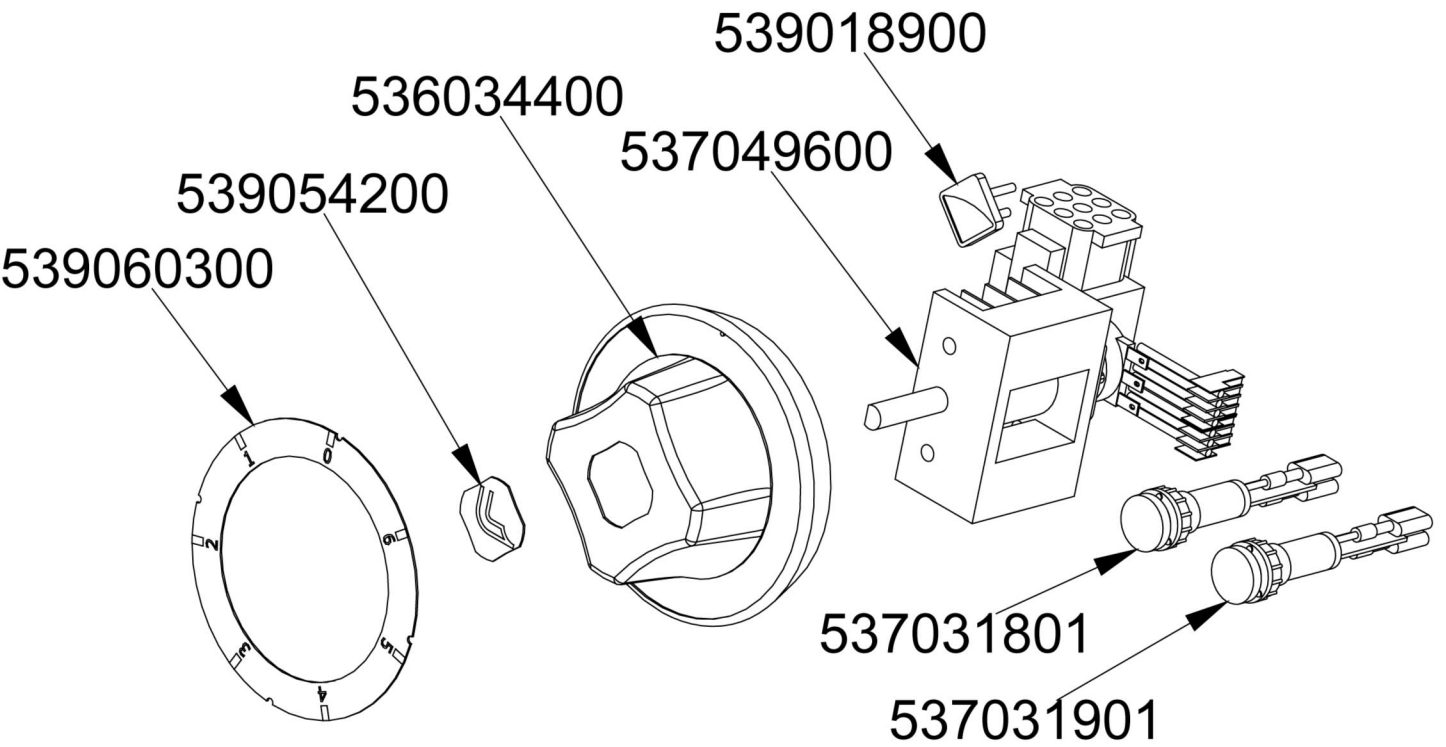
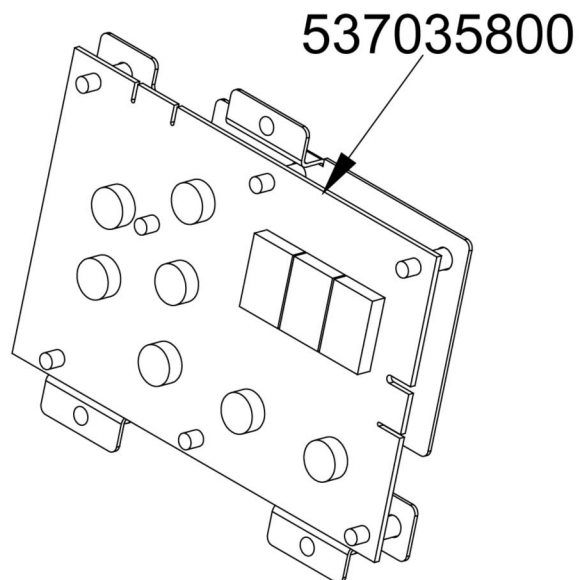


# (ET)



# (ETD)



Page	Pos	Code	Description
001		541209801	UPPER PLATE S60T PCIT-64ET V
001		537048500	PLATE WITH INDUCTORS S60T
001		537045500	GENERATOR PCI-64 5KW 400V3 (C
001		544508100	LHD SIDE OF 60T APPLIANCES
001		537027400	TERMINAL BLOCK THREEPHASE 40A
001		541107500	CONTROL PANEL F13/18-74E
001		533010500	LEG M10*25 D.40
001		544508000	RHD SIDE OF 60T APPLIANCES
001		531034800	NET FILTER FOR KSK
002		539018900	INDEX FOR KNOB W/RED SIGN
002		536034400	KNOB §77 4P. §06*4,6 C/M
002		537049600	COMPLETE CONTROL FOR INDUCTORS
002		539054200	STAMP Ø20,5 CR."L" LOTUS R.
002		539060300	RED ADESIVE DISK FOR PCC/PCI-E
002		537031801	GREEN WARNING LIGHT 12V E FASTON
002		537031901	RED WARNING LIGHT PCI 12V E FASTON
002		537035800	TOUCH ELECTRONIC BOARD FOR PCI