

# **CM1000 Parts List**

## **Table of Contents**

**Cabinet**

**Air Cooled Refrigeration**

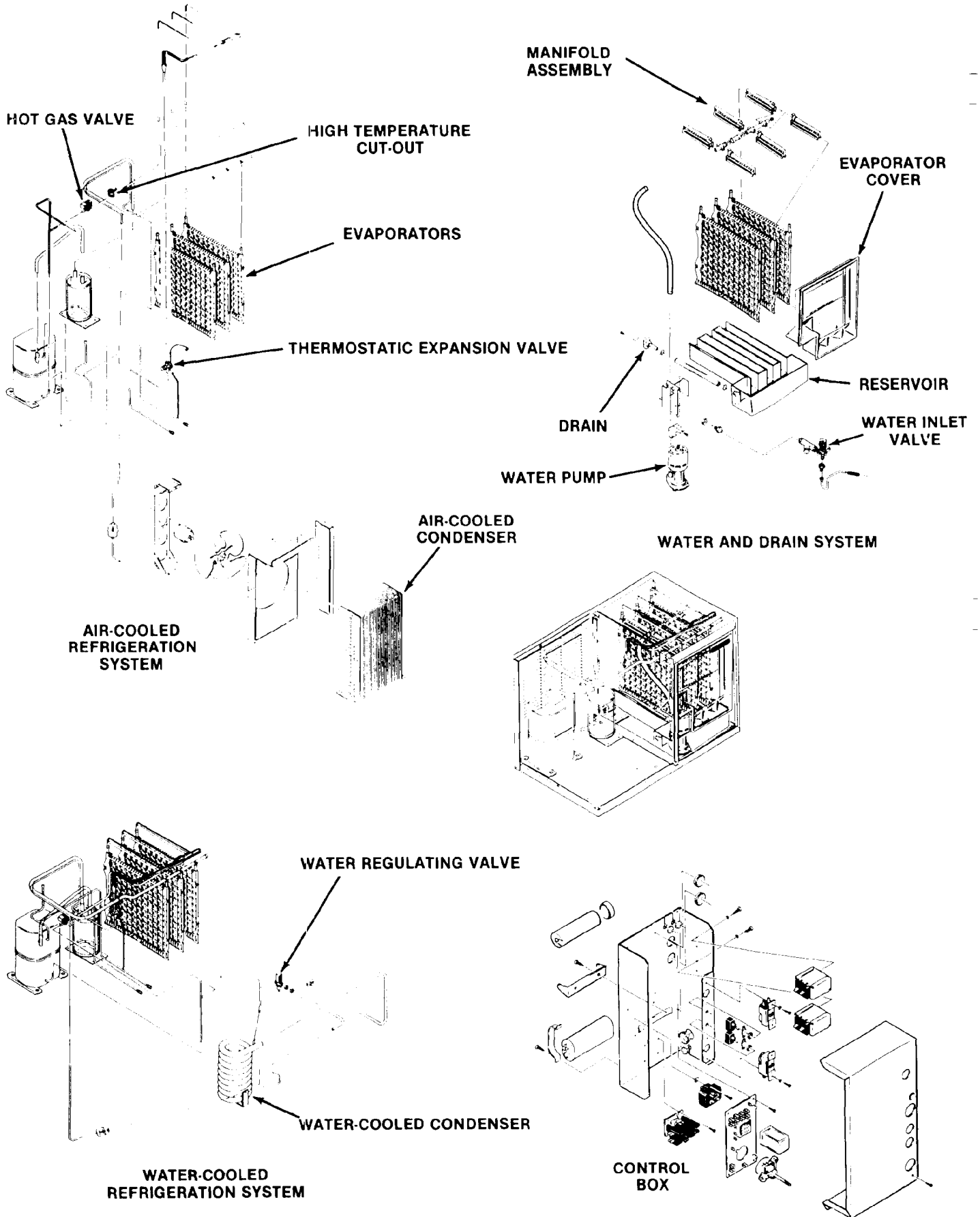
**Water Cooled Refrigeration**

**Water System**

**Control Box**

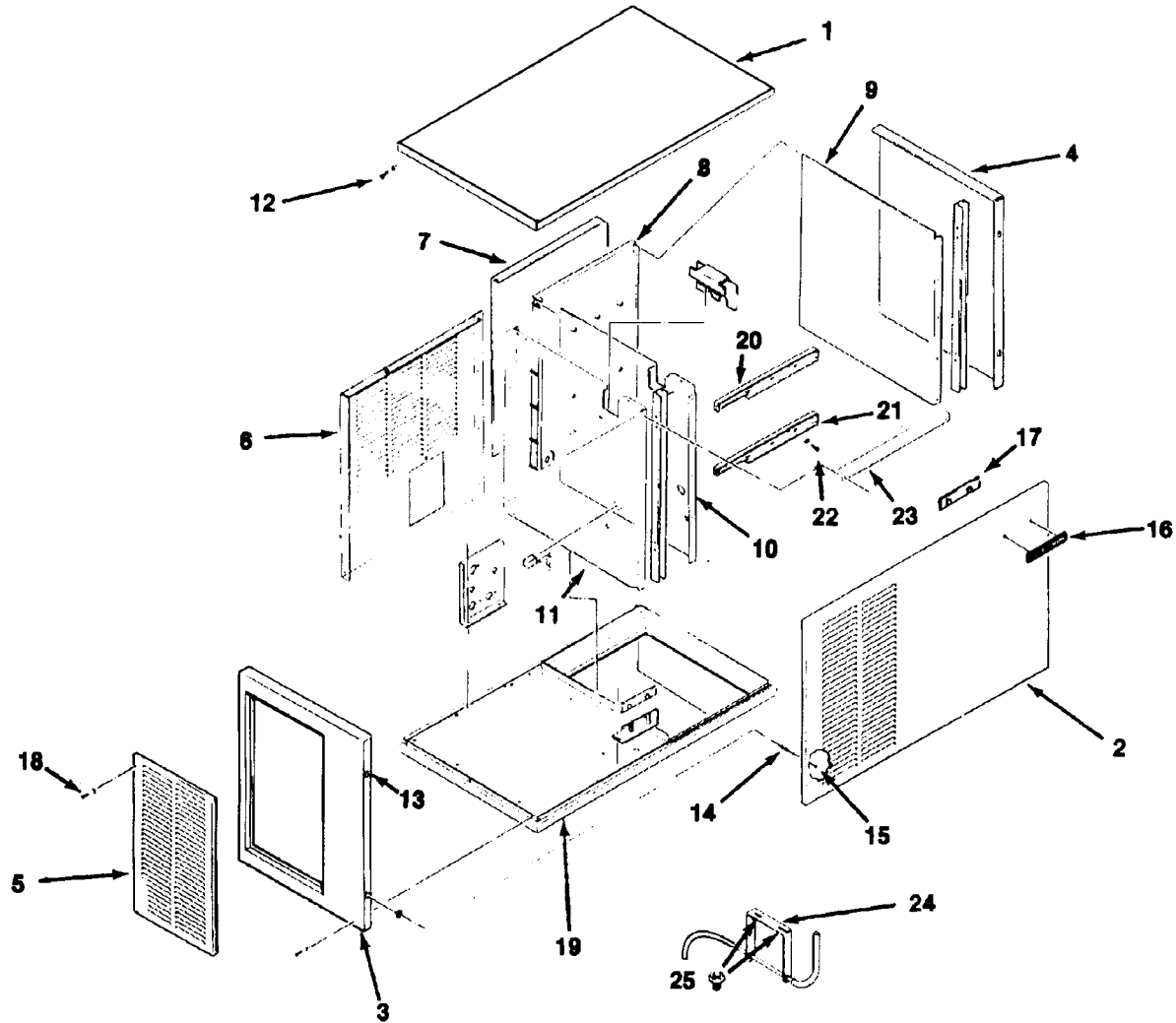
**Wiring Diagrams**

# CM1000 THE PARTS ILLUSTRATIONS AND PARTS LISTS



# CM1000 SERVICE PARTS

## Cabinet

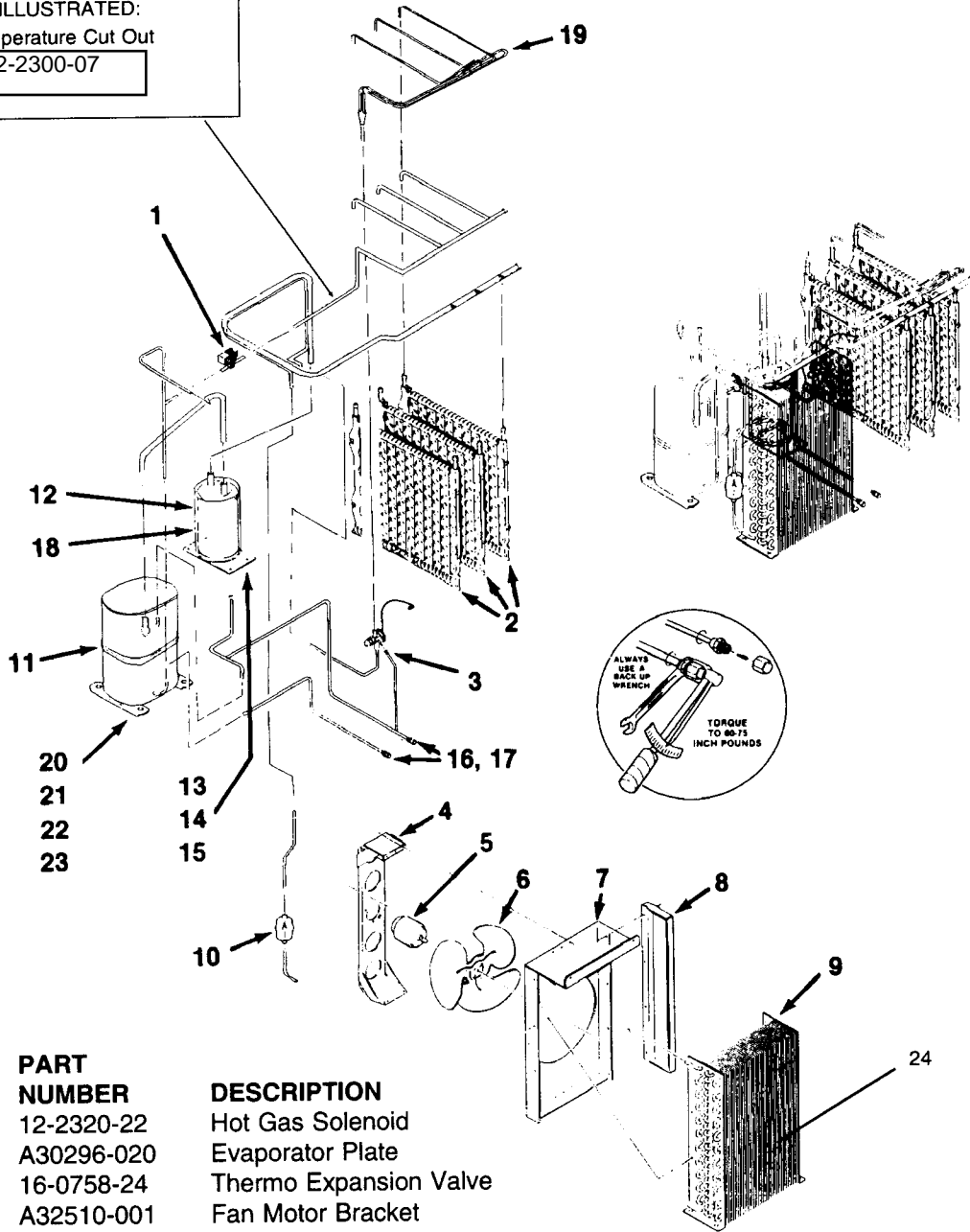


ITEM NUMBER	PART NUMBER	DESCRIPTION	ITEM NUMBER	PART NUMBER	DESCRIPTION
1	A32461-001	Top panel, enamel	11	A32454-001	Retainer
	A32461-002	Top panel, S.S.	12	03-1531-01	Screw, top panel
2.	A32457-001	Front panel, enamel	13	02-0836-00	Cabinet catch
	A32457-002	Front panel, S.S.	14	15-0411-00	Strike
3	A32435-001	End panel left. enamel	15	03-1406-01	Nut
	A32435-002	End panel left, S.S.	16	15-0711-01	Emblem for enamel
4	A35453-001	End panel right, enamel		15-0711-02	Emblem for S.S.
	A35453-002	End panel right, S.S.	17	03-0721-00	Speed clip
5	A32161-001	Service panel, enamel	18	03-1404-12	Screw
	A33946-002	Service panel for S.S.	19	A32434-001	Base
6	A32448-001	Back panel, Left painted	20	A32587-001	Upper brace, evap
	A32448-002	Back panel, left, SS	21	A32467-001	Lower brace, evap
7	A32452-001	Back panel, Right painted	22	A32464-001	Screw, lower brace
	A32452-002	Back panel, right SS	23	A32469-001	Upper brace, cabinet
8	02-2888-01	Back liner	24	A35245-001	Bin thermostat bracket
9	02-2887-01	Right liner	25	03-0727-05	Bin thermostat thumb nut
10	02-2885-01	Left liner			

# CM1000 SERVICE PARTS

## Air Cooled Refrigeration

NOT ILLUSTRATED:  
Hi Temperature Cut Out  
12-2300-07

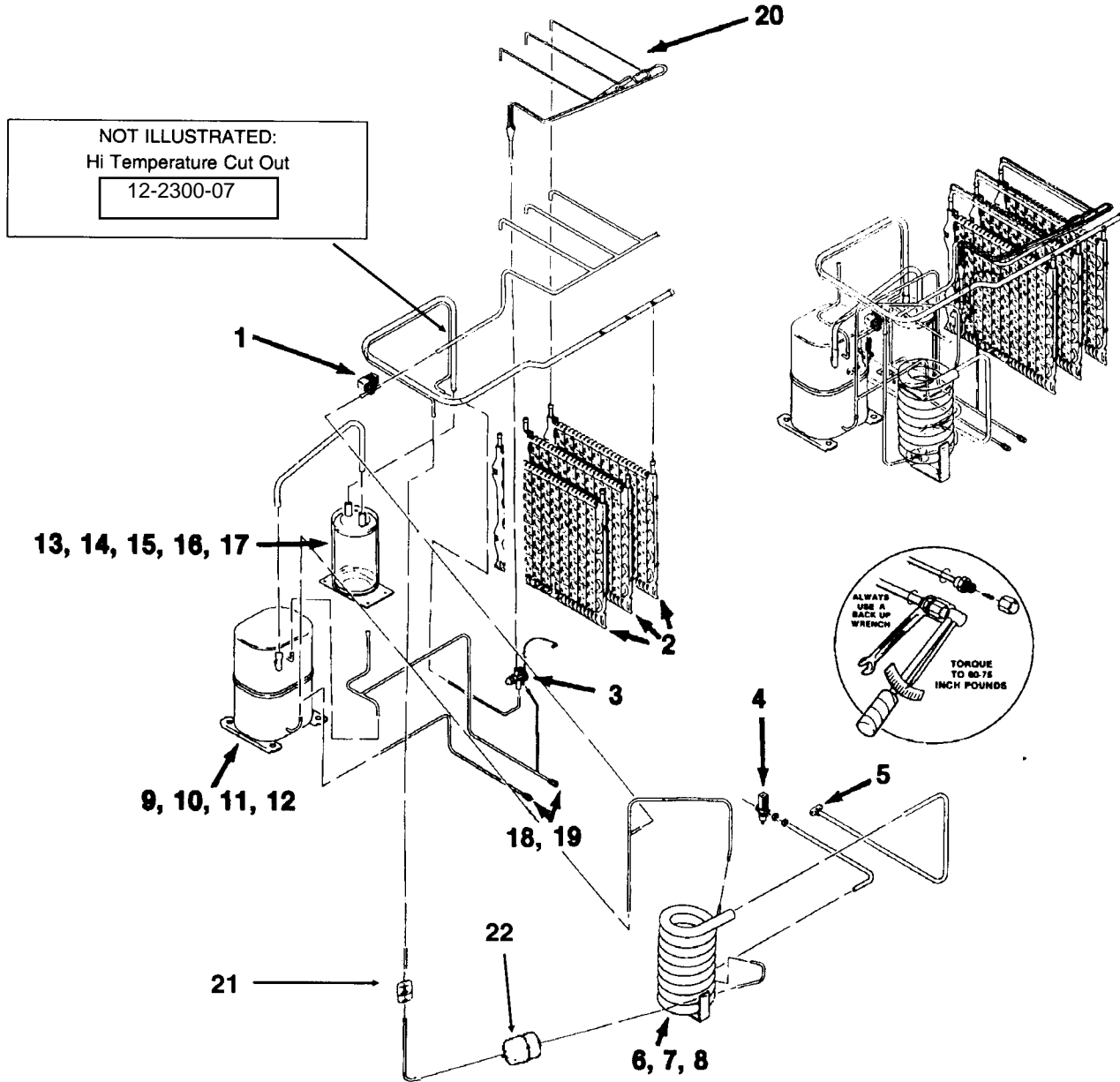


ITEM NUMBER	PART NUMBER	DESCRIPTION
1	12-2320-22	Hot Gas Solenoid
2	A30296-020	Evaporator Plate
3	16-0758-24	Thermo Expansion Valve
4	A32510-001	Fan Motor Bracket
5	18-5105-02	Fan Motor (60 Hz)
	18-5105-04	Fan Motor (50 Hz)
6	18-3732-01	Fan Blade
7	A32460-001	Shroud
8	A32471-001	Bracket
9	18-6500-01	Condenser
10	02-2426-02	Drier
11	18-6400-02	-32 Compressor
		(208-230/60/1)
	18-8600-04	-6 Compressor
		(230/50/1)
	18-6400-04	-3 Compressor
		(208-230/60/3))
12	16-0793-21	Accumulator
13	03-1406-12	Nut

ITEM NUMBER	PART NUMBER	DESCRIPTION
14	03-1407-09	Washer
15	03-1410-05	Lockwasher
16	16-0560-00	Valve core
17	16-0563-00	Valve core cap
18	02-2893-01	Accumulator Insulation Half
19	A32472-001	Evaporator Inlet Assy
20	18-2200-27	Compressor Sleeve
21	18-2300-27	Grommet
22	03-1405-20	Screw
23	03-1407-07	Washer
24	A32975-002	Foam filter

# CM1000 SERVICE PARTS

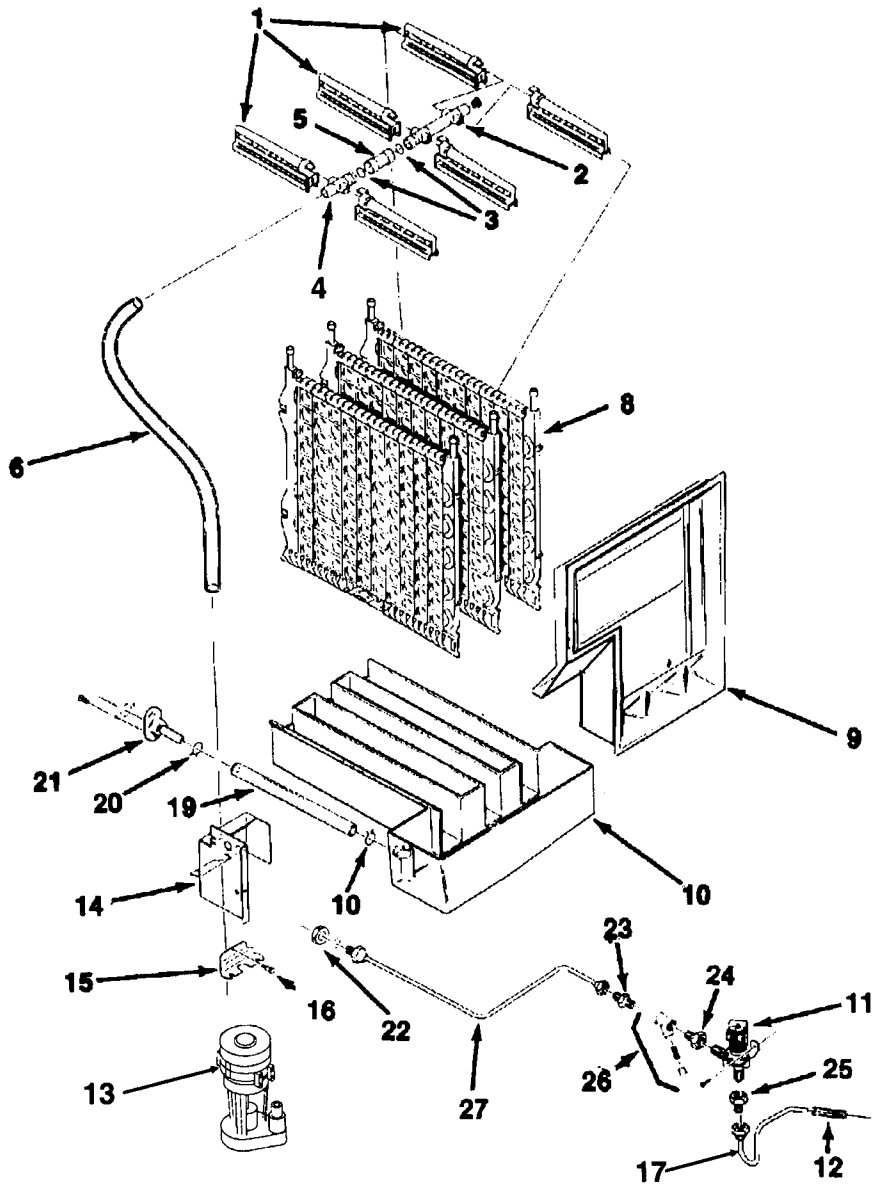
## Water Cooled Refrigeration



ITEM NUMBER	PART NUMBER	DESCRIPTION	ITEM NUMBER	PART NUMBER	DESCRIPTION
1	12-2320-22	Hot Gas Solenoid	10	18-2200-27	Compressor Sleeve
2	A30296-020	Evaporator Plate	11	18-2300-27	Grommet
3	16-0758-24	Thermo Expansion Valve	12	03-1405-20	Screw
4	11-0424-21	Water Regulator Valve	13	16-0793-21	Accumulator
5	A31828-003	Drain Adaptor	14	03-1406-12	Nut
6	18-6900-01	Condenser, WC	15	03-1407-09	Washer
7	03-1645-01	Condenser Screw	16	03-1410-05	Lockwasher
8	03-1407-05	Condenser Washer	17	02-2893-01	Accumulator Insulation Half
9	18-6400-02	-32 Compressor (208-230/60/1)	18	16-0560-00	Valve Core
	18-6400-04	-3 Compressor (208-230/60/3))	19	16-0563-00	Valve Cap
			20	A32472-001	Evaporator Inlet Assy
			21	02-2426-02	Dryer
			22	02-2628-02	Receiver, on all units after date code 06W

# CM1000 SERVICE PARTS

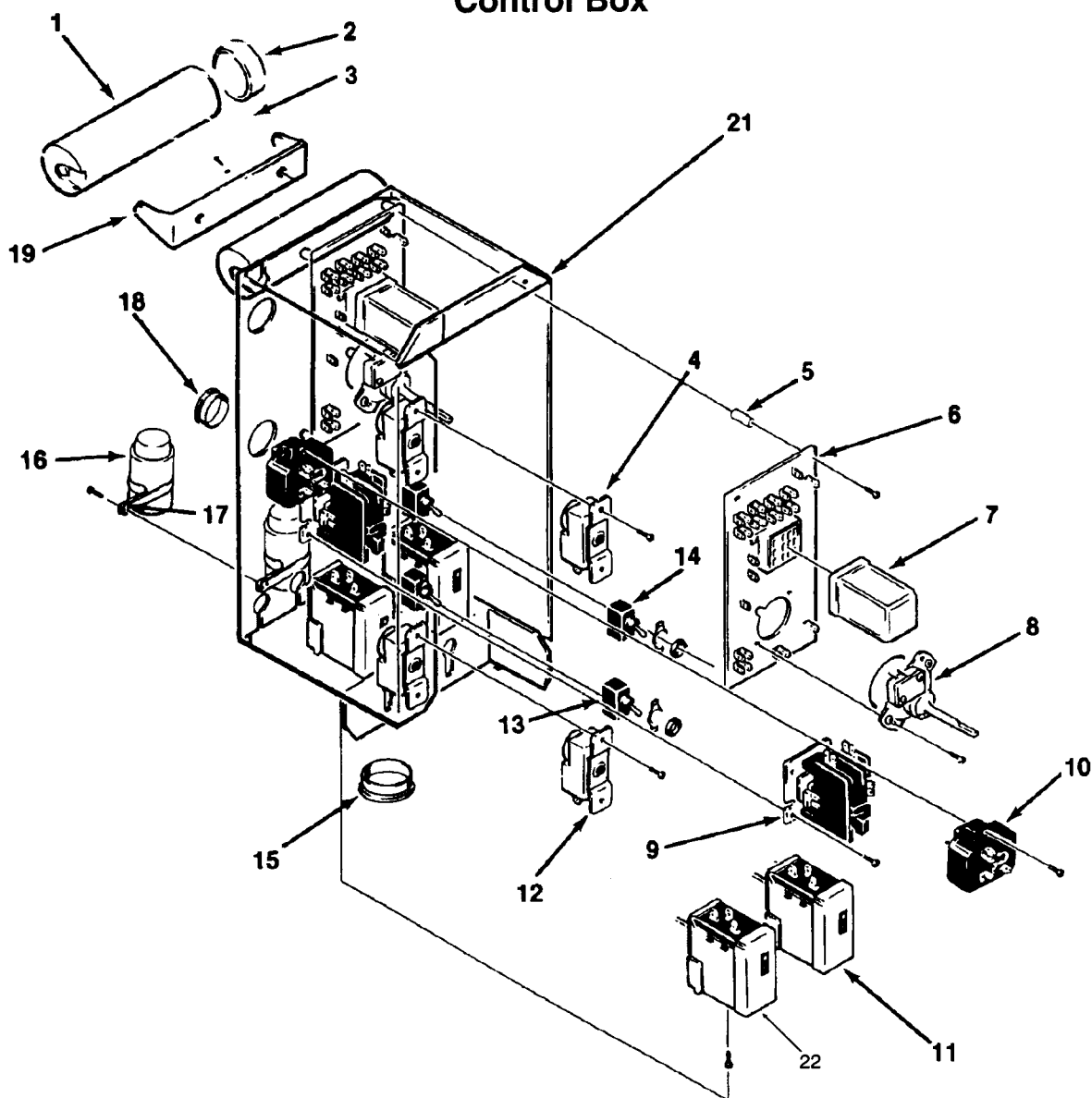
## Water System



ITEM NUMBER	PART NUMBER	DESCRIPTION	ITEM NUMBER	PART NUMBER	DESCRIPTION
1	02-2527-01	Water distributor tube	15	no number	Pump bracket (included with replacement pump)
2	02-2521-01	Manifold, water	16	03-0727-00	Thumb screw
3	13-0617-48	O-ring	17	A32474-001	Inlet tube
4	A29703-001	Water manifold	18	no number	Not used
5	02-2895-01	Water restrictor	19	13-0674-07	Drain hose, 16.5"
6	13-0617-07	Hose, 30"	20	02-1358-01	Hose clamp
7	02-1358-01	Hose clamp	21	A31757-002	Drain
8	A30296-020	Evaporator	22	03-1394-01	Pal nut
9	02-2890-02	Evaporator cover	23	16-0791-01	Coupling
10	02-2889-01	Sump	24	16-0794-01	Adpator
11	12-1646-04	Water valve	25	16-0631-02	Connector, female
12	13-0674-01	Hose, 3"	26	16-0162-00	Strainer
13	12-2419-62	Water pump	27	no number	Water line
14	A32462-001	Pump housing			

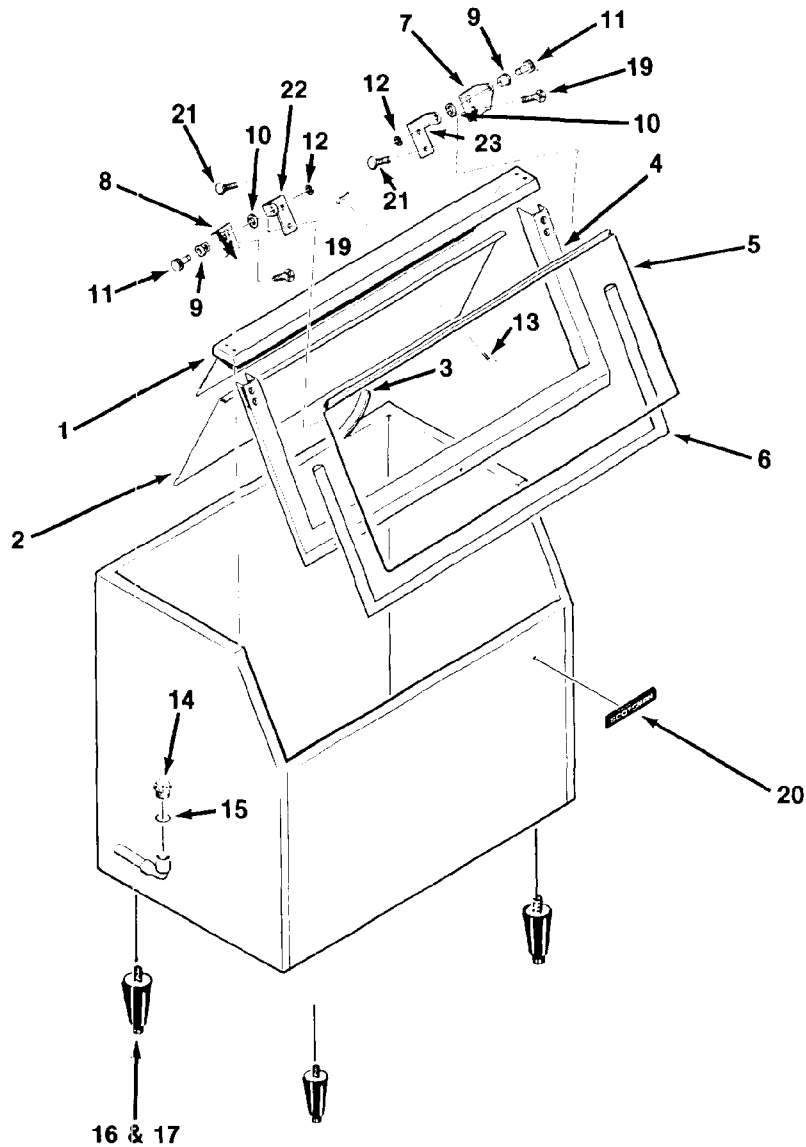
# CM1000 SERVICE PARTS

## Control Box



ITEM NUMBER	PART NUMBER	DESCRIPTION	ITEM NUMBER	PART NUMBER	DESCRIPTION
1	18-1901-48	Start Capacitor	14	12-0426-01	Switch
2	18-4300-50	Start Capacitor Cap	15	12-2311-01	Snap bushing
3	03-1419-05	Screw	16	18-1902-55	Run Capacitor
4	11-0436-21	Cube Size Control	17	A09388-002	Run Cap Brace
5	02-2242-02	Stand off	18	02-2790-01	Snap Bushing
6	12-1912-01	Circuit board	19	no number	Bracket
7	12-1979-03	Relay	20	A31799-001	Control Box Cover
8	12-1980-22	Timer	21	no number	Control Box
9	12-2048-01	Contactor, single phase	22	11-0426-21	Fan Control (AC)
	12-0739-02	Contactor, three phase			
10	18-1903-46	Potential relay			
11	11-0425-21	Hi pressure control, AC			
	11-0410-22	Hi pressure control, WC			
12	11-0427-22	Bin Thermostat			

# CM1000 THE PARTS ILLUSTRATIONS AND PARTS LISTS



## BH800

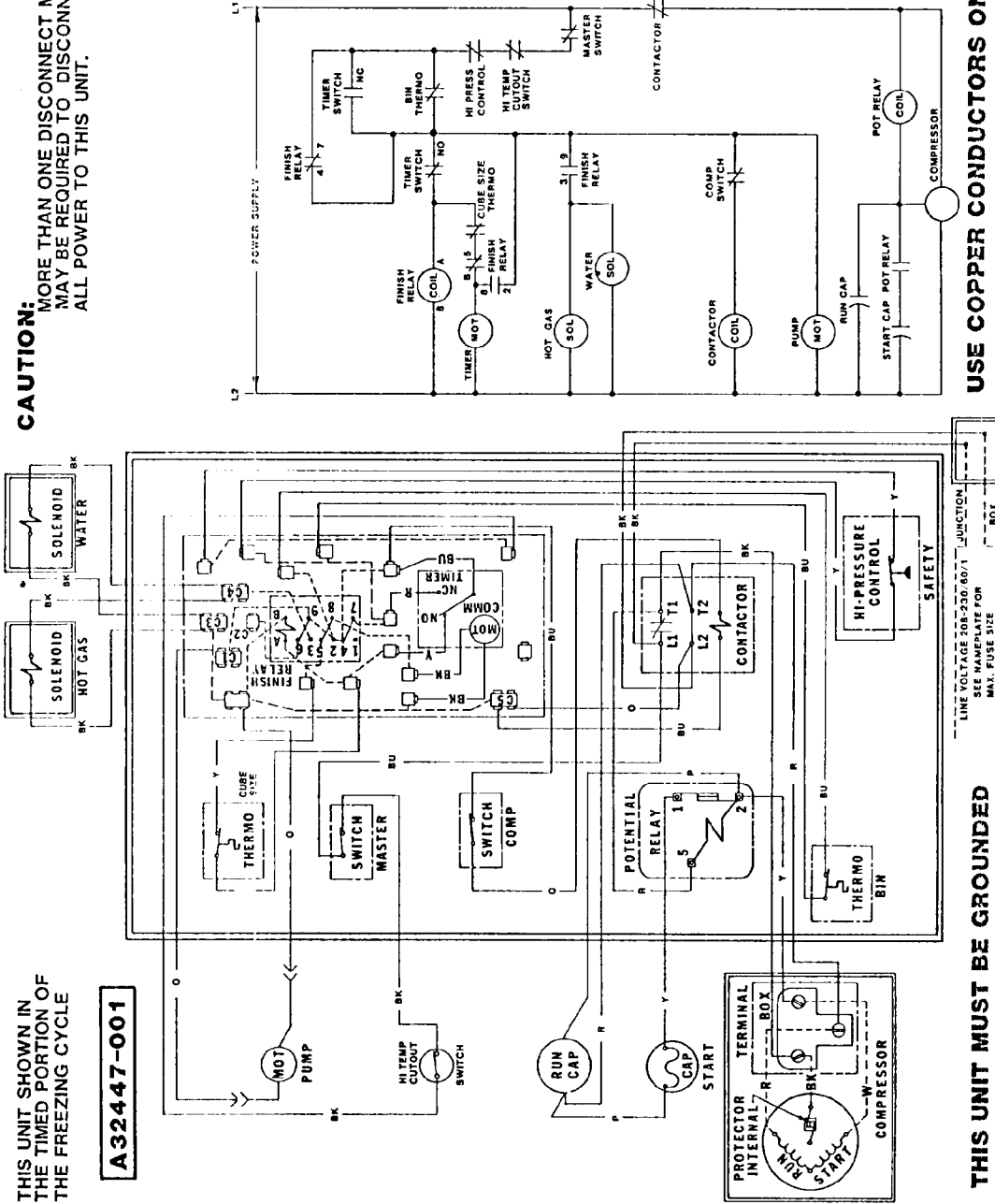
ITEM NUMBER	PART NUMBER	DESCRIPTION	ITEM NUMBER	PART NUMBER	DESCRIPTION
1	A32408-001	Canopy	12	03-1539-09	E-Clip
2	A32410-001	Baffle	13	03-0727-06	Thumb Screw Baffle
3	19-0503-04	Gasket - order per ft.	14	02-2809-01	Drain Top
4	A32418-020	Door Frame	15	13-0617-11	O-Ring
5	A32419-020	Door	16	KLP2E	Legs - Enamel
6	13-0595-00	Door Gasket - order per ft. (10')	17	KLP2S	Legs - S.S.
7	A32396-002	Hinge Rt.	18	03-1404-06	Screw (Not Shown)
8	A32396-001	Hinge Lt.	19	03-1360-02	Screw
9	02-2380-01	Hinge Bushing	20	15-0711-01	Emblem
10	02-2380-02	Hinge Spacer	21	03-1418-41	Screw
11	02-2806-01	Shoulder Screw	22	A32456-001	Door Hinge Lt.
			23	A32456-002	Door Hinge Rt.





# CM1000 WIRING DIAGRAMS

**CAUTION:** MORE THAN ONE DISCONNECT MEANS MAY BE REQUIRED TO DISCONNECT ALL POWER TO THIS UNIT.

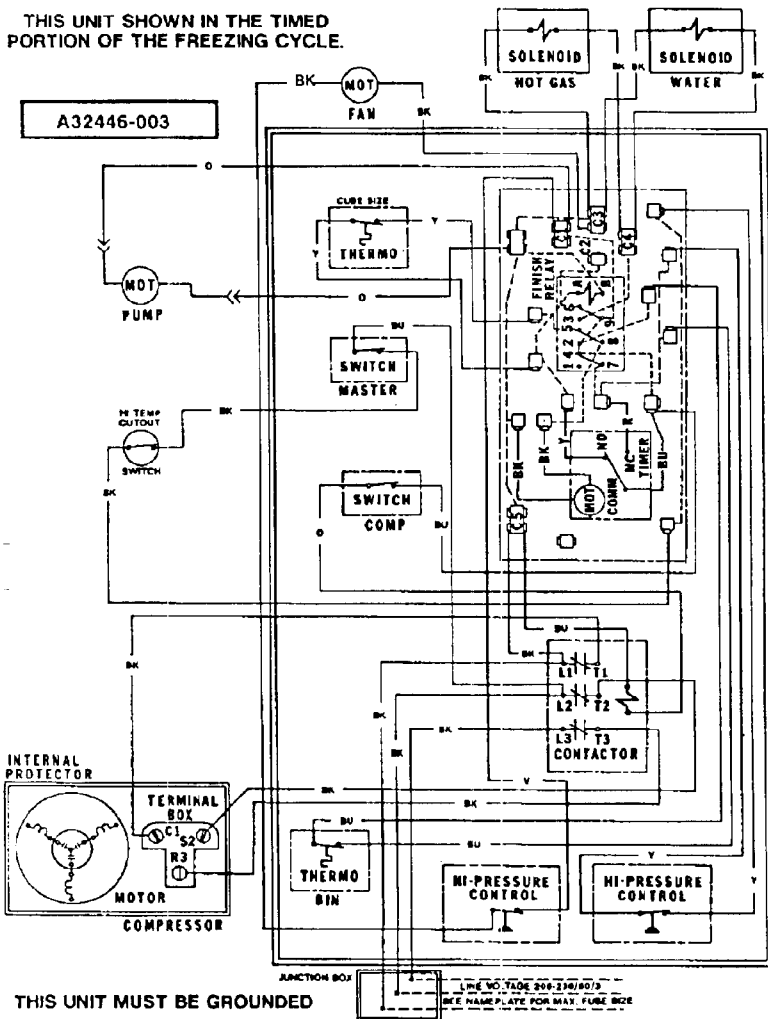


Wiring Diagram CM1000WE-32A (208-230/60/1) Water-Cooled

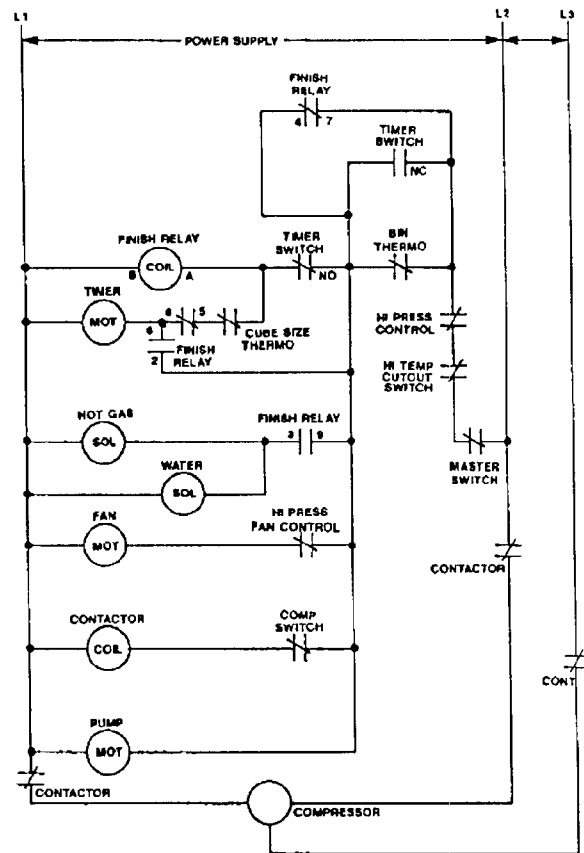
# CM1000 WIRING DIAGRAMS

CM1000 AE-3A (208-230/60/3) Air Cooled

THIS UNIT SHOWN IN THE TIMED PORTION OF THE FREEZING CYCLE.



**CAUTION: MORE THAN ONE DISCONNECT MEANS MAY BE REQUIRED TO DISCONNECT ALL POWER TO THIS UNIT.**



USE COPPER CONDUCTORS ONLY

