



# MÁQUINA CAFÉ ESPRESSO

**ESPRESSO COFFEE MACHINE**



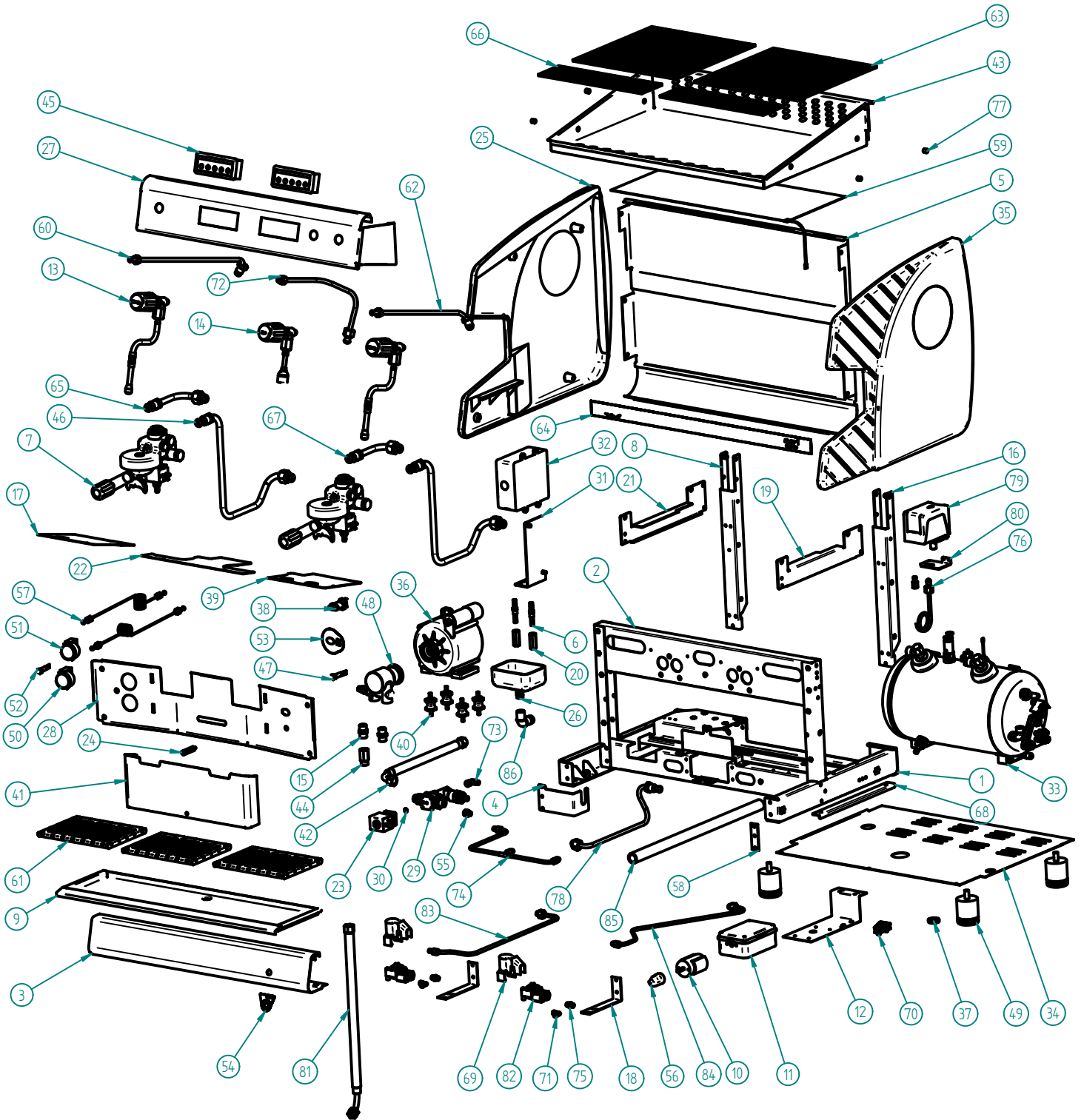
## MÁQ. CAFÉ PRESTIGE II CV ECC - 2.0.025.1018

**ESPRESSO COFFEE MACHINE PRESTIGE II CV ECC**

<b>POTÊNCIA</b> .....	<b>3800 W</b>
<i>POWER</i>	
<b>TENSÃO DE ALIMENTAÇÃO</b> .....	<b>220-230V / 400-2N - 50/60Hz</b>
<i>POWER SUPPLY</i>	
<b>GRUPOS</b> .....	<b>2</b>
<i>GROUPS</i>	
<b>CAPACIDADE DA CALDEIRA</b> .....	<b>12 L</b>
<i>BOLLER CAPACITY</i>	
<b>TORNEIRAS DE AGUA / VAPOR</b> .....	<b>1 / 2</b>
<i>WATER TAP / STEAM TAP</i>	
<b>PESO LIQUIDO</b> .....	<b>62 kg</b>
<i>NET WEIGHT</i>	
<b>PESO BRUTO</b> .....	<b>72 kg</b>
<i>GROSS WEIGHT</i>	
<b>DIMENSÕES (LxPxH)</b> .....	<b>720 x 660 x 565 mm</b>
<i>DIMENSIONS</i>	
<b>DIMENSÕES DA EMBALAGEM (LxPxH)</b> .....	<b>825 x 690 x 580 mm</b>
<i>PACKAGE DIMENSIONS</i>	

# MÁQ. CAFÉ PRESTIGE II CV ECC

COFFEE MACHINE PRESTIGE II CV ECC



# MÁQ. CAFÉ PRESTIGE II CV ECC

COFFEE MACHINE PRESTIGE II CV ECC

## LISTA DE COMPONENTES E ACESSÓRIOS

### Spare parts list

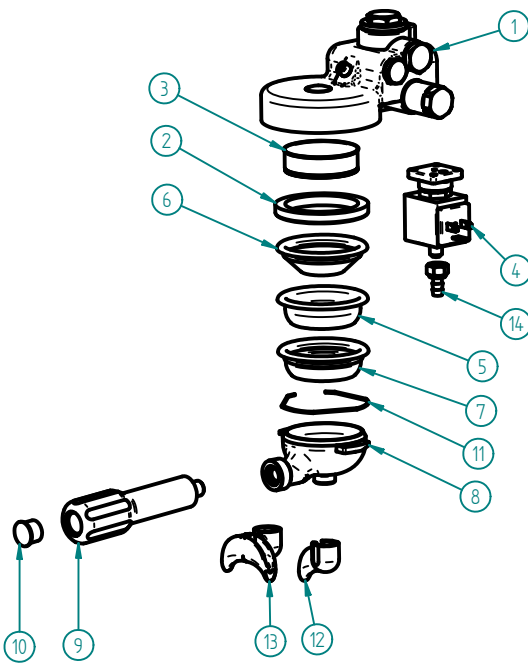
ITEM Nº	CÓDIGO	DESIGNAÇÃO	DESIGNATION	QUANT.	ITEM Nº	CÓDIGO	DESIGNAÇÃO	DESIGNATION	QUANT.
1	7.0.025.1511	CHASSI HORIZONTAL PRESTIGE 2 REBIT.	HORIZONTAL CHASSIS PRESTIGE 2 REBIT.	1	44	4.0.000.0040	PORTA FILTRO ENT. AGUA C/ FILTRO NIPLESS	FILTER HOLDER OF WATER INLET	1
2	7.0.025.1512	CHASSI VERTICAL PRESTIGE 2 REBIT ECC	VERTICAL CHASSIS PRESTIGE 2 REBIT.	1	45	4.0.000.0955	TECLADO 5T LED VERM. GICAR	KEYBOARD	2
3	7.0.025.0730	PAINEL COMANDO INF. CONJ. PRESTIGE 2 REVOL. - IE	LOWER CONTROL PANEL PRESTIGE 2 REVOL.	1	46	5.0.000.0947	TUBO INFEROR CARTUCHO GRUPO 12mm	LOWER TUBE CARTRIDGE/GROUP 12MM	2
4	7.0.017.2050	SUPORTE BLOCO DISTRIB. 2GR/3GR	DISTRIBUTION GROUP SUPPORT	1	47	4.0.025.0135	SINALIZADOR LARANJA Ø10MM TERM. MACHO	ORANGE LED Ø10MM	1
5	7.0.025.0780	PAINEL POST. ESTAMP. FIAMMA PRESTIGE 2 - IE	REAR PANEL PRESTIGE 2	1	48	5.0.000.0040	BOMBA AGUA	WATER PUMP	1
6	4.0.000.0195	RACORDO CAMPANULA DESCARGA GRUPO	INNER RACORD OF THE DRAINAGE ASSEMBLY	2	49	4.0.000.0803	PE MAQ. DE CAFE. 50x50	FEET FOR COFFE MACHINE 50X50	4
7		GRUPO ECC-07 C/ ACESSORIOS	ECC-07 GROUP W/ ACCESS.	2	50	5.0.000.0392	MANOMETRO 0-2,5BAR	PRESSURE GAUGE 0-2,5BAR	1
8	7.0.025.0080	CANTO POSTERIOR ESQ. C/ PORCAS PRESTIGE	LEFT REAR SUPPORT PRESTIGE	1	51	5.0.000.0391	MANOMETRO 0-16BAR	PRESSURE GAUGE 0-16BAR	1
9	7.0.025.0710	TABULEIRO INFERIOR PRESTIGE 2 - IE	LOWER TRAY PRESTIGE 2	1	52	4.0.025.0130	SINALIZADOR VERDE Ø10MM TERM. MACHO	GREEN LED Ø10MM	1
10	5.0.000.0061	COMUTADOR (3 POS) MAQ. CAFE	MAIN COMMUTATOR (3 POS)	1	53	4.0.025.0066	AUTOCOLANTE GRUPO PRESTIGE REVOL.	GROUP STICKER PRESTIGE REVOL.	1
11	4.0.000.0910	CAIXA COMUTADOR MAQ. 2GR	COMMUTATOR BOX	1	54	4.0.025.0060	AUTOCOLANTE COMUTADOR PRESTIGE REVOL	SWITCH STICKER PRESTIGE REVOL.	1
12	7.0.025.0545	SUPORTE COMUTADOR PRESTIGE REVOL.	COMMUTATOR SUPPORT	1	55	5.0.000.0715	RACORDO G1/8-G1/8F NIQ.	RACORDO G1/8-G1/8F NIQ.	1
13*		TORNEIRA VAPOR ATLANTIC C/ ACESSORIOS	STEAM TAP ASS. ECC-07 W/ ACCESS.	2	56	4.0.025.0015	MANIPULO COMUTADOR	SWITCH FOR MAIN COMMUTATOR	1
14*		TORNEIRA AGUA ATLANTIC C/ ACESSORIOS	WATER TAP ASS. ECC-07 W/ ACCESS.	1	57	7.0.000.0022	TUBO CAPILAR 1,27X2,5X1000	CAPILLARY TUBE	2
15	4.0.000.0115	RACORDO G3/8-G3/8 (BOMBA)	PUMP'S METAL SLEEVE	2	58	7.0.027.0167	SUPORTE PAINEL COM. INF. PRESTIGE COMPACT	LOWER CONTROL PANEL SUPPORT PRESTIGE	1
16	7.0.025.0100	CANTO POSTERIOR DIR. C/ PORCAS PRESTIGE	RIGHT REAR SUPPORT PRESTIGE	1	59	5.0.000.0808	RESIST. ESCALDA CHAV. 530X230MM 65W 230V	HEATING ELEMENT FOR CUP HEATING	1
17	7.0.025.1444	BLINDAGEM ESQUERDA PRESTIGE ECC	LEFT SHIELD PRESTIGE ECC	1	60	7.0.000.0064	TUBO CALDEIRA TORN. VAPOR ESQ.	TUBE BOILER/LEFT STEAM TAP	1
18	7.0.025.0325	SUPORTE CONTADOR VOL. PRESTIGE CV/EUROPA CV	VOLUMETRIC DOSER SUPPORT	2	61	7.0.025.0717	GRELHA TABULEIRO INF. PRESTIGE - IE	LOWER TRAY GRID PRESTIGE	3
19	7.0.025.1110	REFORÇO LATERAL SUP. DIR. PRESTIGE REBIT	RIGHT SIDE PANEL SUPPORT PRESTIGE REBIT.	1	62	7.0.000.0042	TUBO CALDEIRA TORN. VAPOR ESQ. ATLANTIC	TUBE BOILER/LEFT STEAM TAP ATLANTIC	1
20	4.0.000.0190	CAMPANULA DESCARGA GRUPO	OUTER RACORD OF THE DRAINAGE ASSEMBLY	2	63	4.0.025.0110	GRELHA PLASTICO 20X20	UPPER TRAY PLASTIC GRID 20X20	2
21	7.0.025.1120	REFORÇO LATERAL SUP. ESQ. PRESTIGE REBIT	LEFT SIDE PANEL SUPPORT PRESTIGE REBIT.	1	64	4.0.025.0065	AUTOCOLANTE PAINEL POST. PRESTIGE 2	REAR SKITCKER PRESTIGE 2	1
22	7.0.025.1440	BLINDAGEM GRUPOS PRESTIGE 2 ECC	GROUP SHIELD PRESTIGE 2 ECC	1	65	5.0.025.6484	TUBO SUP. CART. 2*GR (ESQ/CENT) EVOL/3*GR (IESQ) REVOL.	TUBE CARTRIDGE/GROUP	1
23	5.0.000.0124	ELECTROVAL. 2 VIAS 230V/50HZ-ENT. AGUA PARAL.	ELECTROVALVE	1	66	7.0.025.0240	GRELHA PLASTICO 20X5 PRESTIGE/EUROPA	UPPER TRAY PLASTIC GRID 20X5	2
24	4.0.028.0070	SEPARADOR BLINDAGEM ELECTROV. GRUPOS	SHIELD GROUP SEPARATOR	1	67	5.0.025.6483	TUBO SUP. CART. 1*GR (DIR) EVOL/2*GR (IESQ/CENT) REVOL.	TUBE CARTRIDGE/GROUP	1
25	7.0.025.0195	PAINEL LATERAL ESQ. PINT. PRESTIGE	LEFT SIDE PANEL PRESTIGE	1	68	7.0.025.0230	PROTECCAO PAINEL LAT. PRESTIGE	SIDE PANEL PROTECTION PRESTIGE	2
26	4.0.000.0840	DEPOSITO ESGOTO PLASTICO	DRAIN TRAY	1	69	5.0.000.1013	BLINDAGEM CONTADOR VOLUMETRICO	SHIELD VOLUMETRIC DOSER	2
27	7.0.025.0760	PAINEL COMANDO SUP. CONJ. PRESTIGE 2 CV REVOL. - IE	UPPER CONTROL PANEL PRESTIGE 2 CV REVOL.	1	70	4.0.000.0495	CERRA CABOS PA 238	CABLE FASTENER PA238	1
28	7.0.025.1735	PAINEL FRONTAL PRESTIGE 2 ECC	FRONT PANEL PRESTIGE 2 ECC	1	71	5.0.000.0730	RACORDO L G1/8-G1/8	RACORDO L G1/8-G1/8	2
29	4.0.016.0010	BLOCO ENTRADA AGUA ECC-07 (AUT)	WATER INLET ASS.	1	72	7.0.000.0061	TUBO CALDEIRA TORN. ÁGUA	TUBE BOILER/WATER TAP	1
30	5.0.000.0181	FILTRO BASE ELECTROVAL. Ø9MM	ELECTROVAL FILTER Ø9MM	1	73	5.0.000.0728	RACORDO L G1/8-G1/8F	RACORDO L G1/8-G1/8F	1
31	7.0.016.0362	SUPORTE UNIDADE ELECT. GICAR 2GR / 3GR	GICAR ELECTRONIC UNIT SUPPORT	1	74	7.0.000.0102	TUBO BLOCO CONT. VOL. 2GR	TUBE DISTRIB. GROUP/VOL. DOSER 2GR	1
32	4.0.000.0953	UNIDADE ELECTRONICA GICAR	ELECTRONIC UNIT	1	75	5.0.000.0725	RACORDO G1/8-G1/8 NIQ.	RACORDO G1/8-G1/8 NIQ.	2
33		CALDEIRA 12LT C/ ACESSORIOS	12LT BOILER W/ ACCESS.	1	76	7.0.000.0051	TUBO CALDEIRA PRESSOSTATO REVOL/ATLANTIC	TUBE BOILER/PRESSURE SWITCH	1
34	7.0.025.1547	BLINDAGEM FUNDO PRESTIGE 2 REBIT	BOTTOM SHIELD PRESTIGE 2 REBIT	1	77	7.0.025.0198	CASQUILHO GUIA TAB. SUP. ZINC. PRESTIGE	METAL SLEEVE	4
35	7.0.025.0190	PAINEL LATERAL DIR. PINT. PRESTIGE	RIGHT SIDE PANEL PRESTIGE	1	78	7.0.000.0065	TUBO BLOCO CALDEIRA	TUBE DISTRIB. GROUP/BOILER	1
36	5.0.000.0460	MOTOR 230V/50HZ	MOTOR 230V 50HZ	1	79	5.0.000.0680	PRESSOSTATO 30A/400V 0,5-14BAR	PRESSURE SWITCH 30A/400V 0,5-14BAR	1
37	4.0.005.0077	PASSA FIOS J0027	WIRE PROTECTION J0011	1	80	7.0.016.1060	SUPORTE PRESSOSTATO MAQ. CAFE	PRESSURE SWITCH SUPPORT	1
38		INTERRUPTOR UNIPOLAR CONJ.	UNIPOLAR SWITCH ASS.	1	81	4.0.000.0818	TUBO ALIMENTAÇÃO C/ CURVA 1500MM	WATER INLET PIPE 1500MM	1
39	7.0.025.1446	BLINDAGEM DIREITA PRESTIGE ECC	RIGHT SHIELD PRESTIGE ECC	1	82	5.0.000.1012	CONTADOR VOLUMETRICO D1,15-G1/8 C/ LED	VOLUMETRIC DOSER D1,15-G1/8 W/ LED	2
40	4.0.000.0032	APOIO MOTOR	MOTOR SUPPORT	4	83	7.0.000.0111	TUBO CONT. VOL. INJECTOR ESQ. (2GR/3GR)	TUBE VOL. DOSER/INJECTOR	1
41	7.0.025.1063	BLIND. ELECTROV. PRESTIGE 2 ECC	ELECTROV. SHIELD PRESTIGE 2 ECC	1	84	7.0.000.0112	TUBO CONT. VOL. INJECTOR DIR/ CENT. (2GR/3GR)	TUBE VOL. DOSER/INJECTOR	1
42	5.0.000.0912	TUBO LIGAÇÃO BOMBA C/ CURVA 330MM	PUMP CONNECTION W/ ELBOW 330MM	1	85	4.0.000.0222	TUBO ESGOTO	DRAIN TUBE	1
43	7.0.025.0700	TABULEIRO SUPERIOR PRESTIGE 2 - IE	UPPER TRAY PRESTIGE 2	1	86	4.0.000.0845	RACORDO L DEPOSITO ESGOTO PLASTICO	ANGLE RACORD	1

# MÁQ. CAFÉ PRESTIGE II CV ECC

COFFEE MACHINE PRESTIGE II CV ECC

## 7 - GRUPO ECC-07 C/ ACESSORIOS

7 - ECC-07 GROUP W/ ACCESS.

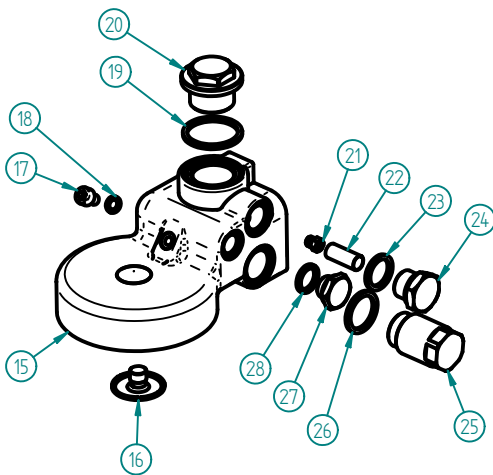


ITEM Nº	CODIGO	DESIGNAÇÃO	DESIGNATION	QUANT.
1	4.0.016.0000	GRUPO ECC-07	GROUP ECC-07	1
2	5.0.025.0012	JUNTA PORTA FILTRO 58X74X8,5MM IGR B-61/ECC-07)	FILTER HOLDER GASKET	1
3	5.0.025.0010	CRIVO GRUPO B-61/ECC-07	GROUP B-61 SIEVE	1
4	5.0.000.0123	ELECTROVALVULA 3 VIAS 230V - GRUPO	ELECTROVALVE	1
5	5.0.000.0167	FILTRO CEGO	BLIND FILTER	1
6	5.0.000.0170	FILTRO 1 BICA 6GR	1 COFFEE FILTER 6 GR	1
7	5.0.000.0173	FILTRO 2 BICAS 12 GR	2 COFFEES FILTER 12 GR	1
8	5.0.000.0657	PORTA FILTRO INCLIN. - FIX. 6 MM	FILTER HOLDER	1
9	5.0.000.0655	PUNHO PORTA FILTRO INCLIN.	HANDGRIP FOR FILTER HOLDER	1
10	5.0.000.0654	TAMPA PUNHO PORTA FILTRO INCLIN.	PLUG FOR HANDGRIP	1
11	5.0.000.0411	MOLA PORTA FILTRO 1,2MM	FILTER HOLDER SPRING	1
12	5.0.000.0104	DISTRIBUIDOR 1 BICA CURVO	1 COFFEE SPECIAL OUTLET	1
13	5.0.000.0106	DISTRIBUIDOR 2 BICAS	2 COFFEES OUTLET	1
14	4.0.000.0198	RACORD DESCARGA ELECTROVALVULA	ELECTROVALVE DRAINAGE RACCORD	1

CÓDIGO	DESIGNAÇÃO	DESIGNATION
5.0.000.0651	PORTA FILTRO M12 INCLIN. CONJ. - 1 BICA	1 COFFEE FILTER HOLDER ASS.
5.0.000.0652	PORTA FILTRO M12 INCLIN. CONJ. - 2 BICAS	2 COFFEE FILTER HOLDER ASS.
5.0.000.0668	PORTA FILTRO M12 INCLIN. CONJ. - CAPSULAS	CAPSULES FILTER HOLDER ASS.

1 - 4.0.016.0000 - GRUPO ECC-07

1 - GROUP ECC-07



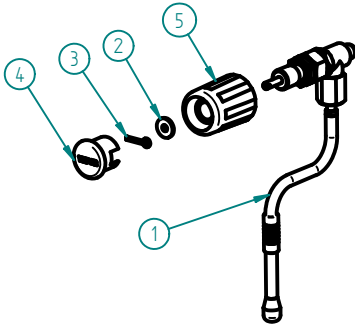
ITEM Nº	CODIGO	DESIGNAÇÃO	DESIGNATION	QUANT.
15	5.0.016.0100	CORPO GRUPO ECC-07	BODY OF THE GROUP ECC-07	1
16	5.0.025.0009	DISTRIBUIDOR GRUPO B-61/ECC-07	OUTLET GROUP B-61/ECC-07	1
17	5.0.025.0003	PARAFUSO UMBRACO M6X10 INOX IGR B-61/ECC-07)	FRONT INOX SCREW M6X10 OF THE GROUP B-61	1
18	5.0.025.0015	JUNTA TEFLON 10X6X1	TEFLON GASKET	1
19	5.0.025.0002	JUNTA TEFLON 35X30X2	TEFLON GASKET	1
20	5.0.016.0102	TAMPAO SUPERIOR M26X1,5 CROM. GR ECC-07	UPPER CHROM. COVER M26X1,5 (IGR ECC-07)	1
21	5.0.016.0110	INJECTOR 0,7 M6X0,75 IGR ECC-07)	INJECTOR 0,7 M6X0,75 (IGR ECC-07)	1
22	5.0.025.0023	FITRO INOX INJECTOR	GROUP GIGLEUR FILTER	1
23	5.0.025.0022	JUNTA TEFLON 22X17X2	TEFLON GASKET	1
24	5.0.025.0021	TAMPAO G3/8 CROM. IGR B-61/GR ECC-07)	CHROM. COVER G3/8 (IGR B-61/GR ECC-07)	1
25	5.0.016.0105	INFUSOR GRUPO ECC-07	INFUSER OF GROUP ECC-07	1
26	5.0.016.0106	JUNTA TEFLON 26X 21X2	TEFLON GASKET	1
27	5.0.016.0104	TAMPAO LATERAL G1/4 CROM. GR ECC-07	CHROM. SIDE COVER G1/4 (IGR ECC-07)	1
28	5.0.000.0315	JUNTA TEFLON 18X13,5X2MM	TEFLON GASKET	1

# MÁQ. CAFÉ PRESTIGE II CV ECC

COFFEE MACHINE PRESTIGE II CV ECC

## 13 - TORNEIRA VAPOR ATLANTIC C/ ACESSORIOS

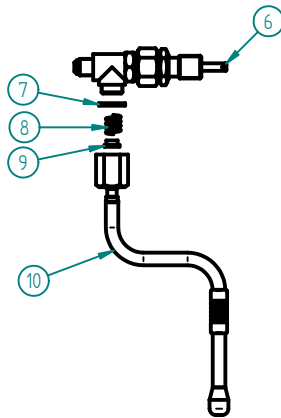
13 - STEAM TAP ASS. ECC-07 W/ ACCESS.



ITEM Nº	CODIGO	DESIGNAÇÃO	DESIGNATION	QUANT.
1	4.0.016.0020	TORNEIRA ECC-07 G1/4-G1/8F (CONJ. VAPOR)	STEAM TAP ASS. ECC-07	1
2	4.0.016.0024	ANILHA LATAO MAN. TORN. ECC-07	MS WASHER 2MM	1
3	4.0.016.0025	GOLPILHA INOX MAN. TORN. ECC-07	TAP ECC-07 LOCKER	1
4	4.0.016.0027	TAMPAO MAN. TORN. ECC-07 (VAPOR)	ECC-07 TAP HANDLE COVER (STEAM)	1
5	4.0.016.0023	MANIPULO TORNEIRA ECC-07	TAP HANDLE	1

1 - 4.0.016.0020 - TORNEIRA ECC-07 G1/4-G1/8F (CONJ. VAPOR)

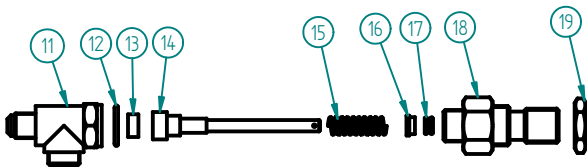
1 - STEAM TAP ASS. ECC-07



ITEM Nº	CODIGO	DESIGNAÇÃO	DESIGNATION	QUANT.
6	5.0.016.0350	TORNEIRA ECC-07 G1/4-G1/8F	TAP ECC-07	1
7	5.0.025.1386	JUNTA TEFLON 21X16,8X2	TEFLON GASKET	1
8	5.0.025.7060	MOLA TUBO AGUA/VAPOR TORN. EVOL	SPRING TAP	1
9	5.0.025.6508	GUIA MOLA TUBO AGUA/VAPOR TORN. EVOL	GUIDE BUSH	1
10	5.0.016.0320	TUBO TORNEIRA VAPOR ATLANTIC (CONJ.)	STEAM TAP TUBE ASS.	1

6 - 5.0.016.0350 - TORNEIRA ECC-07 G1/4-G1/8F

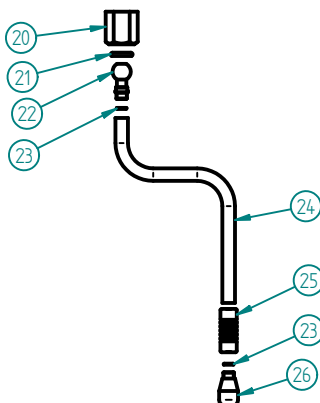
6 - TAP ECC-07



ITEM Nº	CODIGO	DESIGNAÇÃO	DESIGNATION	QUANT.
11	5.0.016.0300	CORPO TORNEIRA ECC-07	BODY OF THE TAP ECC-07	1
12	5.0.016.0303	JUNTA COBRE 22X17X2MM TORN. ECC-07	TAP GASKET	1
13	5.0.016.0301	VEDANTE BORRACHA TORN. ECC-07	TAP ECC-07 GASKET	1
14	5.0.016.0308	VEIO TORNEIRA ECC-07	TAP ECC-07 SHAFT	1
15	5.0.016.0302	MOLA VEIO TORN. ECC-07	TAP SHAFT SPRING	1
16	5.0.016.0305	CASQUILHO VEIO TORN. ECC-07	METAL SLEEVE	1
17	5.0.016.0306	ORING VEIO TORN. ECC-07	TAP SHAFT ORING	2
18	5.0.016.0304	RACORD FRONTAL TORN. ECC-07	FRONT ECC-07 TAP RACORD	1
19	4.0.155.0015	PORCA G1/2 LATAO	BRASS NUT G1/2	1

10 - 5.0.016.0320 - TUBO TORNEIRA VAPOR ATLANTIC (CONJ.)

10 - STEAM TAP TUBE ASS.



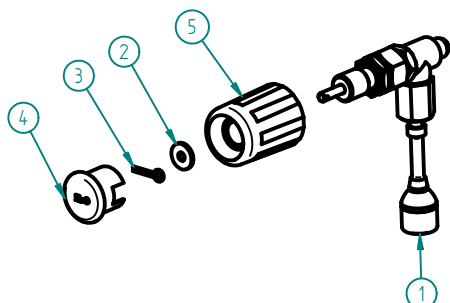
ITEM Nº	CODIGO	DESIGNAÇÃO	DESIGNATION	QUANT.
20	5.0.016.0321	PORCA TUBO TORN. ATLANTIC	TAP TUBE NUT	1
21	5.0.025.0205	ORING 12,1x2,7 PORCA TUBO TORN.	ORING 12,1x2,7	1
22	5.0.016.0326	ROTULA TUBO TORN. ATLANTIC M8,5X0,75	RACORD W/ SPHERE M8,5X0,75	1
23	5.0.016.0323	ORING 6X1 TUBO VAPOR ATLANTIC	ORING 6X1	2
24	5.0.016.0327	TUBO TORNEIRA VAPOR ATLANTIC M8,5X0,75	STEAM TAP TUBE M8,5X0,75	1
25	4.0.000.0814	PINÇA ISOLANTE TUBO VAPOR 10MM	INSULATING HANDGRIP 10MM	1
26	5.0.016.0328	ESPALHADOR VAPOR TORN. ATLANTIC M8,5X0,75	SPRAYER OF THE STEAM TAP	1

# MÁQ. CAFÉ PRESTIGE II CV ECC

COFFEE MACHINE PRESTIGE II CV ECC

## 14 – TORNEIRA AGUA ATLANTIC C/ ACESSORIOS

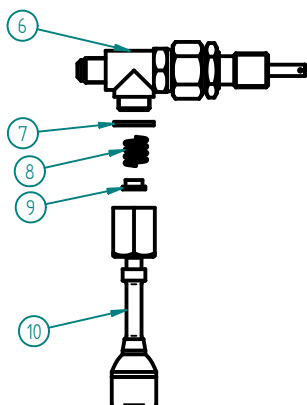
14 – WATER TAP ASS. ECC-07 W/ ACESS.



ITEM N°	CODIGO	DESIGNAÇÃO	DESIGNATION	QUANT.
1	4.0.016.0021	TORNEIRA ECC-07 G1/4-G1/8F (CONJ. AGUA)	WATER TAP ASS. ECC-07	1
2	4.0.016.0024	ANILHA LATAO MAN. TORN. ECC-07	MS WASHER 2MM	1
3	4.0.016.0025	GOLPILHA INOX MAN. TORN. ECC-07	TAP ECC-07 LOCKER	1
4	4.0.016.0028	TAMPAO MAN. TORN. ECC-07 (AGUA)	ECC-07 TAP HANDLE COVER (WATER)	1
5	4.0.016.0023	MANIPULO TORNEIRA ECC-07	TAP HANDLE	1

1 – 4.0.016.0021 – TORNEIRA ECC-07 G1/4-G1/8F (CONJ. AGUA)

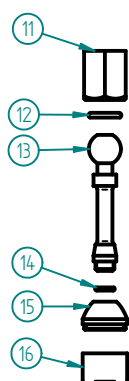
1 – WATER TAP ASS. ECC-07



ITEM N°	CODIGO	DESIGNAÇÃO	DESIGNATION	QUANT.
6	5.0.016.0350	TORNEIRA ECC-07 G1/4-G1/8F	TAP ECC-07	1
7	5.0.025.1386	JUNTA TEFLON 21X16,8X2	TEFLON GASKET	1
8	5.0.025.7060	MOLA TUBO AGUA/VAPOR TORN. EVOL.	SPRING TAP	1
9	5.0.025.6508	GUIA MOLA TUBO AGUA/VAPOR TORN. EVOL.	GUIDE BUSH	1
10	5.0.016.0330	TUBO TORNEIRA AGUA ATLANTIC (CONJ.)	WATER TAP TUBE ASS.	1

10 – 5.0.016.0330 – TUBO TORNEIRA AGUA ATLANTIC (CONJ.)

10 – WATER TAP TUBE ASS.



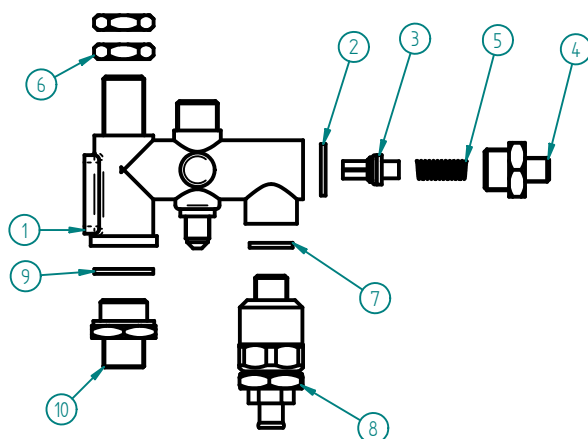
ITEM N°	CODIGO	DESIGNAÇÃO	DESIGNATION	QUANT.
11	5.0.016.0321	PORCA TUBO TORN. ATLANTIC	TAP TUBE NUT	1
12	5.0.025.0205	ORING 12,1x2,7 PORCA TUBO TORN.	ORING 12,1x2,7	1
13	5.0.016.0331	TUBO TORNEIRA AGUA CROM. ATLANTIC	WATER TAP TUBE	1
14	5.0.000.0565	ORING 7,2X1,9 VEIO TORN. BR-03	TAP SHAFT ORING	1
15	5.0.000.0640	PONTEIRA TUBO ÁGUA	POINT OF THE WATER TUBE	1
16	5.0.000.0148	ESPALHADOR PONTEIRA ÁGUA	SPRAYER OF THE WATER POINT	1

# MÁQ. CAFÉ PRESTIGE II CV ECC

COFFEE MACHINE PRESTIGE II CV ECC

## 29 - 4.0.016.0010 - BLOCO ENTRADA AGUA ECC-07 (AUT.)

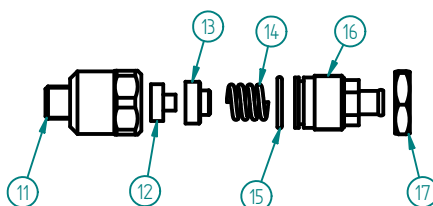
29 - WATER INLET ASS.



ITEM Nº	CODIGO	DESIGNAÇÃO	DESIGNATION	QUANT.
1	5.0.016.0200	CORPO BLOCO AUT. ECC-07	DISTRIBUTION GROUP BODY (AUT. ECC-07)	1
2	5.0.025.1386	JUNTA TEFLON 21X16,8X2	TEFLON GASKET	1
3	5.0.016.0231	VALVULA ANTI-RETORNO BLOCO ECC-07	ANTI-BACKFLOW VALVE	1
4	5.0.016.0235	RACORD G3-8 x G1-8 BLOCO ECC-07	RACORD G3/8XG1/8 (DISTRIB. GROUP ECC-07)	1
5	5.0.016.0234	MOLA VALVULA ANTI-RETORNO BLOCO ECC-07	ANTI-BACKFLOW VALVE SPRING	1
6	4.0.000.0045	PORCA G3/8 LATAO (SEXT. 21MM)	BRASS NUT G3/8 (21MM)	2
7	5.0.000.0315	JUNTA TEFLON 18X13,5X2MM	TEFLON GASKET	1
8	5.0.016.0220	VALVULA EXPANSAO BLOCO ECC-07	EXPANSION VALVE (DISTRIB. GROUP ECC-07)	1
9	5.0.016.0211	JUNTA TEFLON 24X19X2	TEFLON GASKET	1
10	5.0.016.0215	RACORD M20x1,5-G3/8 BLOCO ECC-07	RACORD M20X1,5-G3/8	1

## 8 - 5.0.016.0220 - VALVULA EXPANSÃO BLOCO ECC-07

8 - EXPANSION VALVE (DISTRIB. GROUP ECC-07)



ITEM Nº	CODIGO	DESIGNAÇÃO	DESIGNATION	QUANT.
11	5.0.016.0222	CORPO VALVULA EXPAN. BLOCO ECC-07	EXPANSION VALVE BODY	1
12	5.0.016.0223	JUNTA VALVULA EXPAN. BLOCO ECC-07	EXPANSION VALVE GASKET	1
13	5.0.016.0224	SUPOORTE JUNTA BLOCO ECC-07	GASKET HOLDER (DISTRIB. GROUP ECC-07)	1
14	5.0.016.0214	MOLA 8-16KG BLOCO ECC-07	SPRING	1
15	5.0.016.0225	ORING 21X17X2	ORING 21X17X2	1
16	5.0.016.0226	RACORD M22X1 VALVULA EXPAN. BLOCO ECC-07	RACORD M22X1- EXPANSION VALV.	1
17	5.0.016.0227	PORCA M22X1 LATAO	BRASS NUT M22X1	1

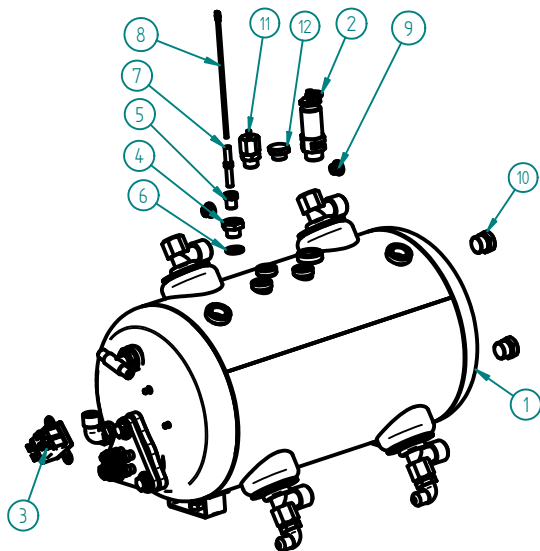


# MÁQ. CAFÉ PRESTIGE II CV ECC

COFFEE MACHINE PRESTIGE II CV ECC

## 33 - CALDEIRA 12LT C/ ACESSORIOS

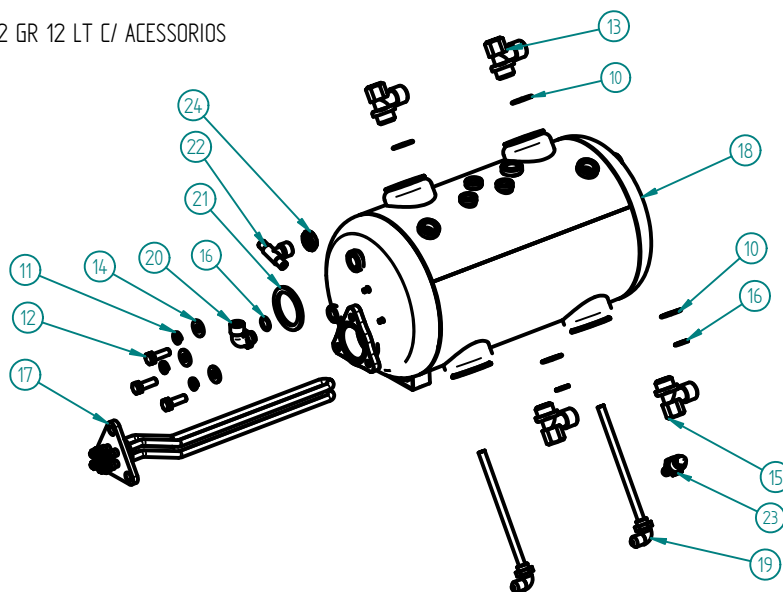
33 - 12LT BOILER W/ ACCESS.



ITEM Nº	CÓDIGO	DESIGNAÇÃO	DESIGNATION	QUANT.
1	7.0.000.0513	CALDEIRA 2 GR 12 LT C/ ACESSORIOS	2 GROUP 12LT BOILER W/ ACCESS.	1
2	4.0.000.0051	VALVULA SEGURANÇA CALDEIRA	BOILER SECURITY VALVE	1
3	4.0.000.0250	TERMOSTATO SEGURANÇA 130°	SAFETY THERMOSTAT 130°	1
4	4.0.160.0060	RACORD Sonda G1/4 NIQ.	PROBE RACORD G1/4	1
5	4.0.160.0061	RACORD Sonda G1/8 NIQ.	PROBE RACORD G1/8	1
6	5.0.000.0315	JUNTA TEFLON 18X13,5X2MM	TEFLON GASKET	1
7	5.0.000.0317	ISOLANTE TEFLON Sonda MAQ. CAFE	PROBE ISOLATING TEFLON	1
8	7.0.000.0760	SONDA Ø2,5X135MM PRESTIGE	PROBE Ø2,5X135MM	1
9	4.0.016.0003	REDUTOR CAUDAL 4,25MM	FLOW REDUCER 4,25MM	2
10	4.0.012.0020	TAMPAO G3/8 LATAO	BRASS COVER G3/8	2
11	5.0.000.1002	VALVULA ANTI-VACUO	ANTI VACUUM VALVE	1
12	4.0.000.0151	TAMPAO G1/4 LATAO	BRASS COVER G1/4	1

1 - 7.0.000.0513 -CALDEIRA 2 GR 12 LT C/ ACESSORIOS

1 - 2 GROUP 12LT BOILER W/ ACCESS.



ITEM Nº	CÓDIGO	DESIGNAÇÃO	DESIGNATION	QUANT.
10	4.0.000.0011	ANILHA 20X26MM (G1/2) COBRE	GASKET G1/2 CU	4
11	4.2.000.9147	ANILHA MOLA M8 ZINC. DIN127B	M8 SPRING WASHER	3
12	4.2.000.9086	PARAFUSO CAB. SEXT. M8X25 ZINC. DIN933	SCREW M8X25	3
13	5.0.000.0720	RACORD L G1/2-G1/2 (SUP. CALD. 12 MM)	BOILER UPPER RACORD 12MM	2
14	7.2.000.0015	ANILHA PLANA 2X20X8,5 ZINC.	FLAT RING 2X20X8,5	3
15	5.0.000.0723	RACORD T G1/2-G1/2-G1/4F (INF. CALD. 12 MM)	BOILER LOWER RACORD 12MM	2
16	4.0.000.0013	ANILHA 13x17MM (G1/4) COBRE	GASKET G1/4 CU	3
17	5.0.000.0802	RESISTENCIA TRIANGULAR 3500W 2 GR	TRIANGULAR HEATING ELEMENT (3500 W)	1
18	7.0.000.0512	CALDEIRA 2 GR 12 LT	2 GROUP 12LT BOILER	1
19	7.0.000.0120	RACORD INJECTOR C/ TUBO	INJECTION RACORD W/ TUBE	2
20	4.0.000.0090	RACORD L G1/4-G3/8	KNEE G1/4-G3/8	1
21	5.0.000.0307	JUNTA RESISTENCIA REDONDA	HEATING ELEMENT GASKET	1
22	4.0.000.0071	RACORD DUPL0 G3/8-2XG1/8	DOUBLE RACCORD	1
23	4.0.000.0188	RACORD DESCARGA CALDEIRA	BOILER DRAINAGE RACCORD	1
24	4.0.000.0045	PORCA G3/8 LATAO (SEXT. 21MM)	BRASS NUT G3/8 (21MM)	1

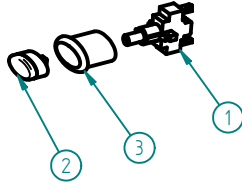


# MÁQ. CAFÉ PRESTIGE II CV ECC

COFFEE MACHINE PRESTIGE II CV ECC

## 38 – INTERRUPTOR UNIPOLAR CONJ.

38- UNIPOLAR SWITCH ASS.



ITEM Nº	CODIGO	DESIGNAÇÃO	DESIGNATION	QUANT.
1	4.0.000.0510	INTERRUPTOR UNIPOLAR	UNIPOLE SWITCH	1
2	4.0.000.0507	TASTO ELIPSE D16	SWITCH KEY D16	1
3	4.0.000.0503	CAIXA ELIPSE D16	BOX D16 ELIPSE	1

## ESQUEMA ELECTRICO Electric Scheme

### LEGENDA:

A - Interruptor geral (commutator)

P - Pressostato (pressostat)

T - Termostato segurança (safety thermostat)

R - Resistencia (heating element)

M - Motor (motor)

S - Sonda nivel (level)

EV GR1 / GR2 / GR3 - Electrov. grupo1 / 2 / 3 (electrov group 1/2/3)

EV FILL - Electrov. entrada agua (electrov water inlet)

