

Code	No.	Description
C01	530160010	Adjustable Foot
E02	530163063	Complete Door Assembly
A04	531413260	Door Spring Hook
B11	530162170	Door Spring
D02	530162180	Oven Bottom Tray - LH
D02	530162181	Oven Bottom Tray - RH
C10	530162190	Door Quadrant - LH
C10	530162200	Door Quadrant - RH
F08	530162210	Oven Grid Shelf
D01	530162220	Baking Tray
F07	530163062	Door Handle Assembly
J05	530163070	Stand - Single or Double Tier
H10	530163073	Stand - Treble Tier
D11	730160010	Fascia Panel - LH
F03	730162200	Oven Lining - LH
F03	730162210	Oven Lining - RH
G07	730163012	Outer Side Panel - LH
G07	730163022	Outer Side Panel - RH
I,05	730163032	Outer Top Panel
D11	730163042	Control Panel
E12	730163052	Outer Front Bottom Panel

Sheet Reference Number

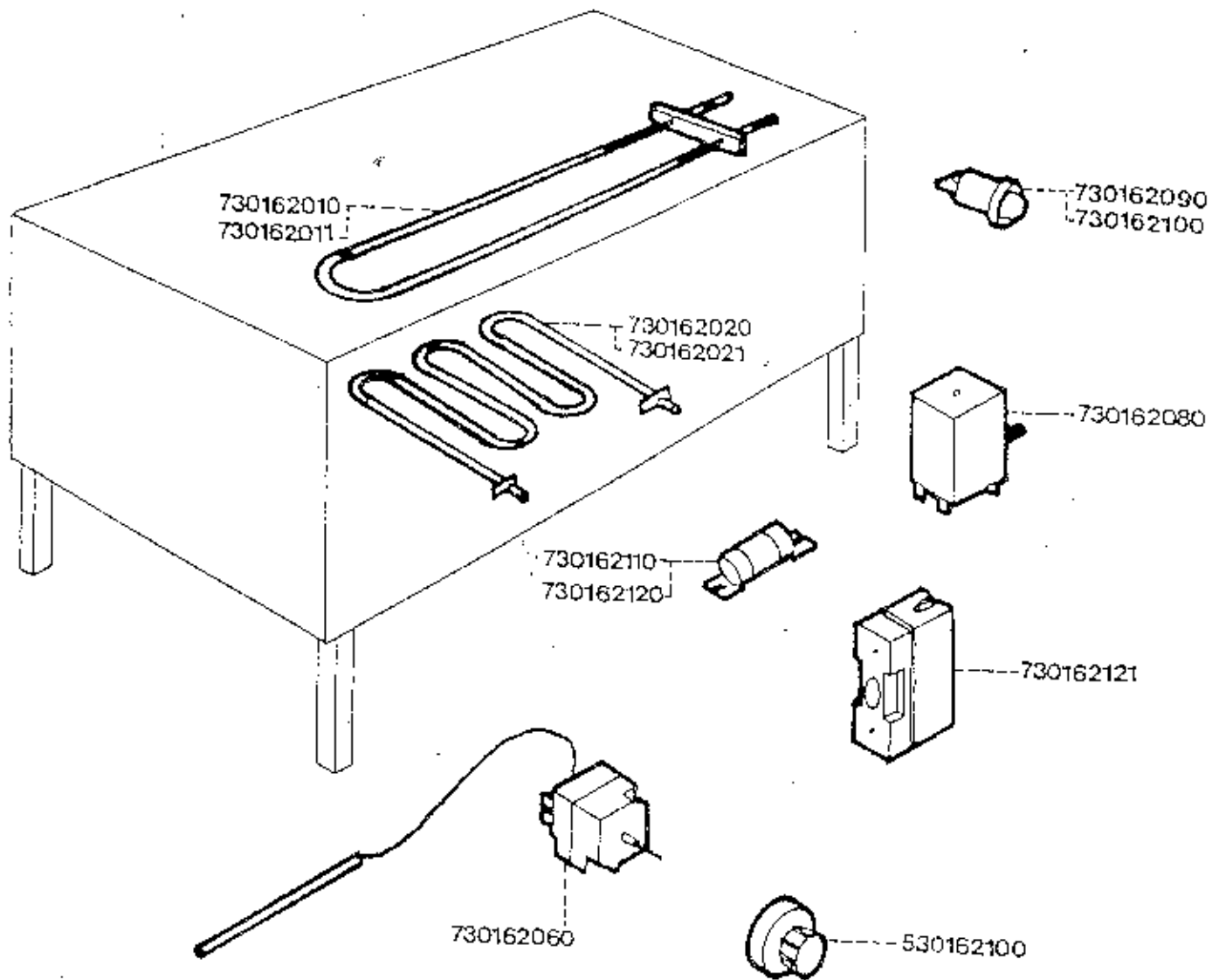
E2007/0288/001

Falcon Catering Equipment

Commercial and Institutional
catering equipment



Falcon Catering Equipment is a
business name of
Olywood Cooksline & Building Products Ltd
a member of the
Olywood International plc
group of companies



Code	No.	Description
B11	530162100	Thermostat Knob
F03	730162010	Top Oven Element - 240V
F03	730162011	Top Oven Element - 220V
F01	730162020	Bottom Oven Element - 240V
F01	730162021	Bottom Oven Element - 220V
F10	730162060	Thermostat
F12	730162080	Relay
B07	730162090	Red Neon Indicator
B07	730162100	Amber Neon Indicator
B07	730162110	10 amp. Fuse Link
B07	730162120	15 amp. Fuse Link
C09	730162121	Dennis Fuse

Sheet Reference Number

E2007/0288/002

**Falcon Catering
Equipment**

Commercial and institutional
catering equipment



Falcon Catering Equipment is a
division name of
Glynwed Corporation & Building Products Ltd,
a member of the
Glynwed International plc
group of companies