



**Kochgeräte  
Elektro Bain-Maries Serie 700**

Artikel-Nr. 135001, 135002, 135003, 135004  
(418031-151270, -151450, -551270, -551450)

---

**Explosionszeichnung**

---

## SPARE PARTS CATALOGUE

### Introduction:

This catalog enables to recognize our appliances' main spare parts reading the single exploded views.

### How to look up in our catalogue :

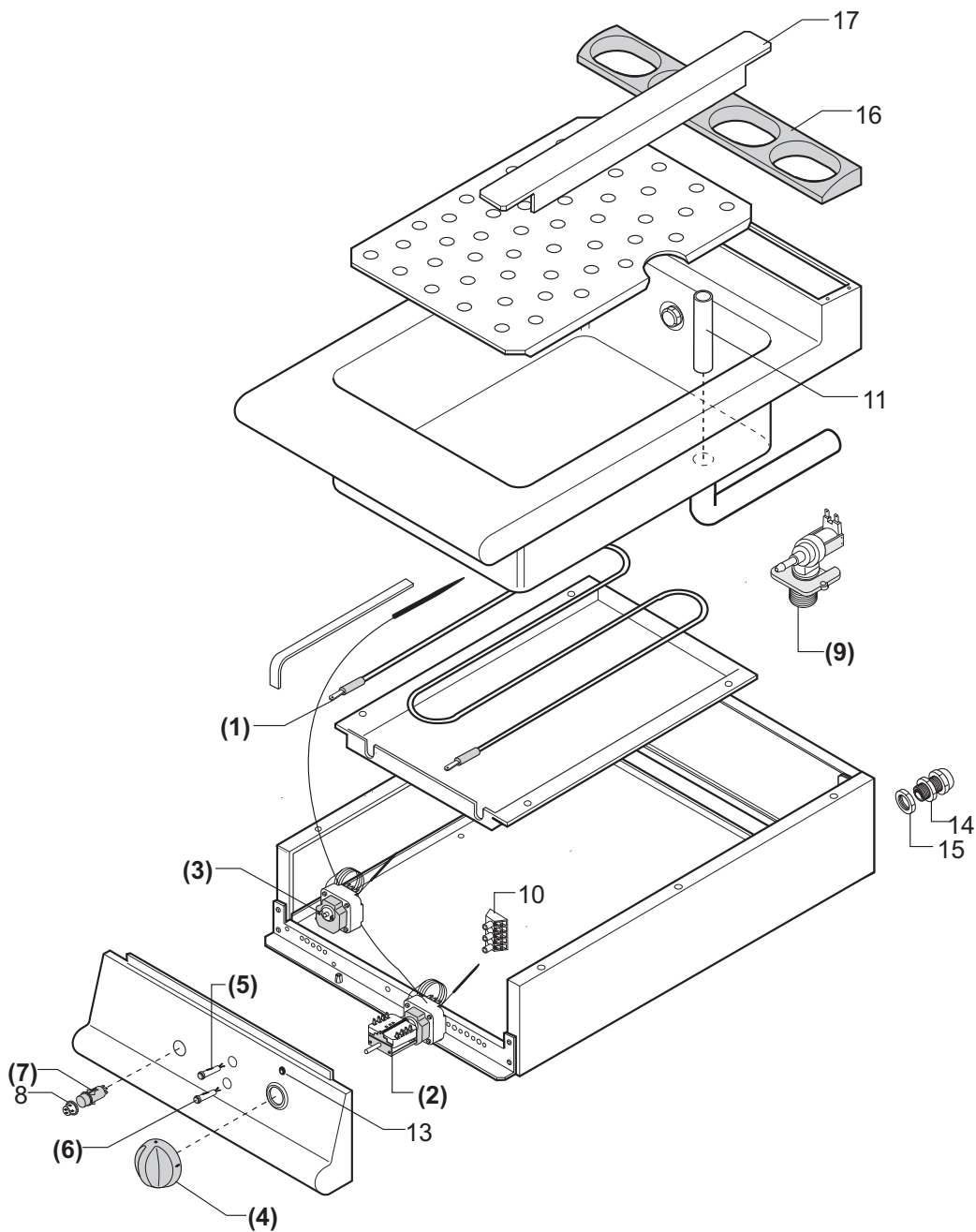
Hereunder we describe the correct method to look up in our catalogue, in order to locate the desired spare part in a quicker and more precise way.

**For Example:** You need the component's code-number of a gasrange with burners 1/1M.

- 1) Find the appliance's model and serial number on the rating plate.  
(The rating plates are positioned in the internal side of the control panel).
- 2) Search for the belonging family in the index (BCPxxx-(0B)) . (f.ex. Gasrange with burners - top 1/1M).
- 3) After you have found the corresponding table you verify if the appliance's serial number is subsequent to that one indicated in the table.
- 4) You locate the desired spare part in the drawing on the left, and find the corresponding position in the table on the right.
- 5) Hence you obtain the codenumber and the description of the spare part you need.

### LEGEND:

Position on the EXPLODED VIEW			X => Recommended spare part			
Article's codenr.		Technical description	Quantity x each model		Series	
					1/2M => L=40 cm.	
					1/1M => L=80 cm.	
					1+1/2M => L=120 cm.	
Pos	Codice	Descrizione	700	1/1M		
1	822410081	Medium burner head (Dm.102)		1		
2	822410051	Medium venturi duct (Dm.102)		1		
14	826920140	Pilot burner	x	2		



(.....) RICAMBIO CONSIGLIATO  
 (.....) SUGGESTED SPARE-PARTS

**BAGNOMARIA ELETTRICO (Serie 700 - 1/2M)**  
 ELECTRIC BAIN-MARIE (Serie 700 - 1/2M)

**Tav. Rif. BCP0070-(68)**

RIF. Da matricola n°  
 REF. From serial n°

*Rev.00 del 16/06/1997*

**Baron Cucine Professionali S.r.l.**

RIPRODUZIONE, ANCHE PARZIALE, VIETATA

**BCP0070-(67)**

# ELECTRIC BAIN-MARIE

(1/2M)

cine p

Pos	Code	Denomination	700						
			1/2M						
1	826620101	Heating element 2200W	X	1					
2	826630230	Switch-thermostat 30-90°C	X	1					
3	826630240	Safety thermostat 150°C	X	1					
4	824710240	Thermostat knob 40-100°C	X	1					
5	826650020	Signal lamp 230V (green)	X	1					
6	826650030	Signal lamp 230V (orange)	X	1					
7	826630200	Lighting switch	X	1					
8	826630060	Switch protection cap		1					
9	826630220	Solenoid valve ES 90/88	X	1					
10	826630110	Terminal board FV 77/3		1					
11	822160210	Overflow		1					
13	824710080	Red index		1					
14	824710390	Cable retainer PG16		1					
15	824710400	Lock nut PG16		1					
16	822410120	Exhaust grid		1					

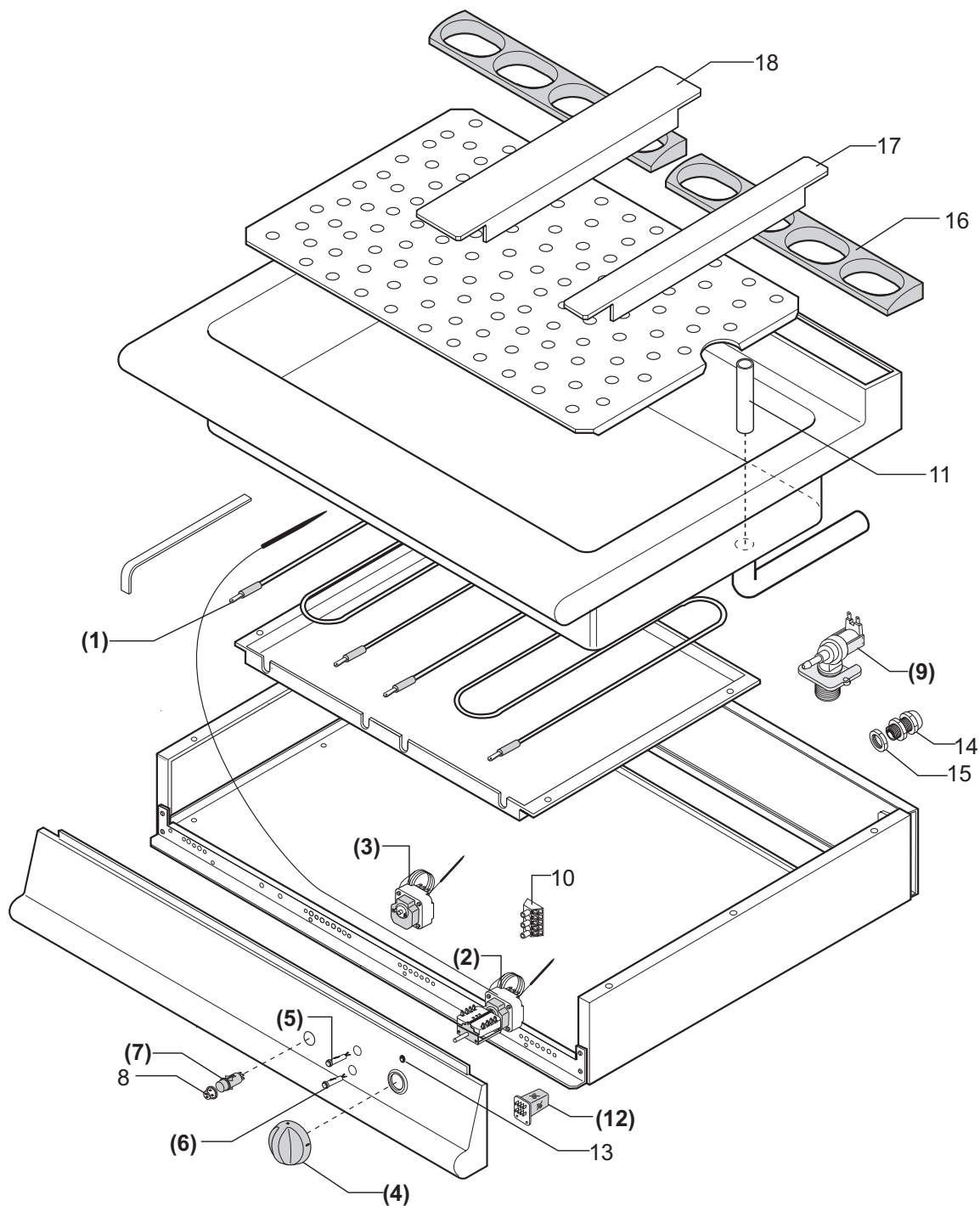
*X: Suggested PARTS*

BAGNOMARIA ELETRICO (Serie 700 - 1/2M) ELECTRIC BAIN-MARIE		RIF. REF.	Da matricola n° From serial n°

Baron Cucine Professionali S.r.l.

GB  
RIPRODUZIONE ANCHE PARZIALE, VIETATA

**BCP0070-(68)**



(.....) RICAMBIO CONSIGLIATO  
 (.....) SUGGESTED SPARE-PARTS

**BAGNOMARIA ELETTRICO (Serie 700 - 1/1M)**  
 ELECTRIC BAIN-MARIE (Serie 700 - 1/1M)

**Tav. Rif. BCP0070-(70)**

RIF. Da matricola n°  
 REF. From serial n°

*Rev.00 del 16/06/1997*

# ELECTRIC BAIN-MARIE

## (1/1M)

Pos	Code	Denomination	700						
			1/1M						
1	826620101	Heating element 2200W	x	2					
2	826630230	Switch-thermostat 30-90°C	x	1					
3	826630240	Safety thermostat 150°C	x	1					
4	824710240	Thermostat knob 40-100°C	x	1					
5	826650020	Signal lamp 230V (green)	x	1					
6	826650030	Signal lamp 230V (orange)	x	1					
7	826630200	Lighting switch	x	1					
8	826630060	Switch protection cap		1					
9	826630220	Solenoid valve ES 90/88	x	1					
10	826630080	Terminal board FV 77/4		1					
11	822160210	Overflow		1					
12	826630250	Relay	x	1					
13	824710080	Red index		1					
14	824710390	Cable retainer PG16		1					
15	824710400	Lock nut PG16		1					
16	822410120	Exhaust grid		2					
18	821490530	Central spacer		1					

X: Suggested PARTS

BAGNOMARIA ELETTRICO (Serie 700 - 1/1M) ELECTRIC BAIN-MARIE		RIF. REF.	Da matricola n° From serial n°
Baron Cucine Professionali S.r.l.		GB	BCP0070-(70)