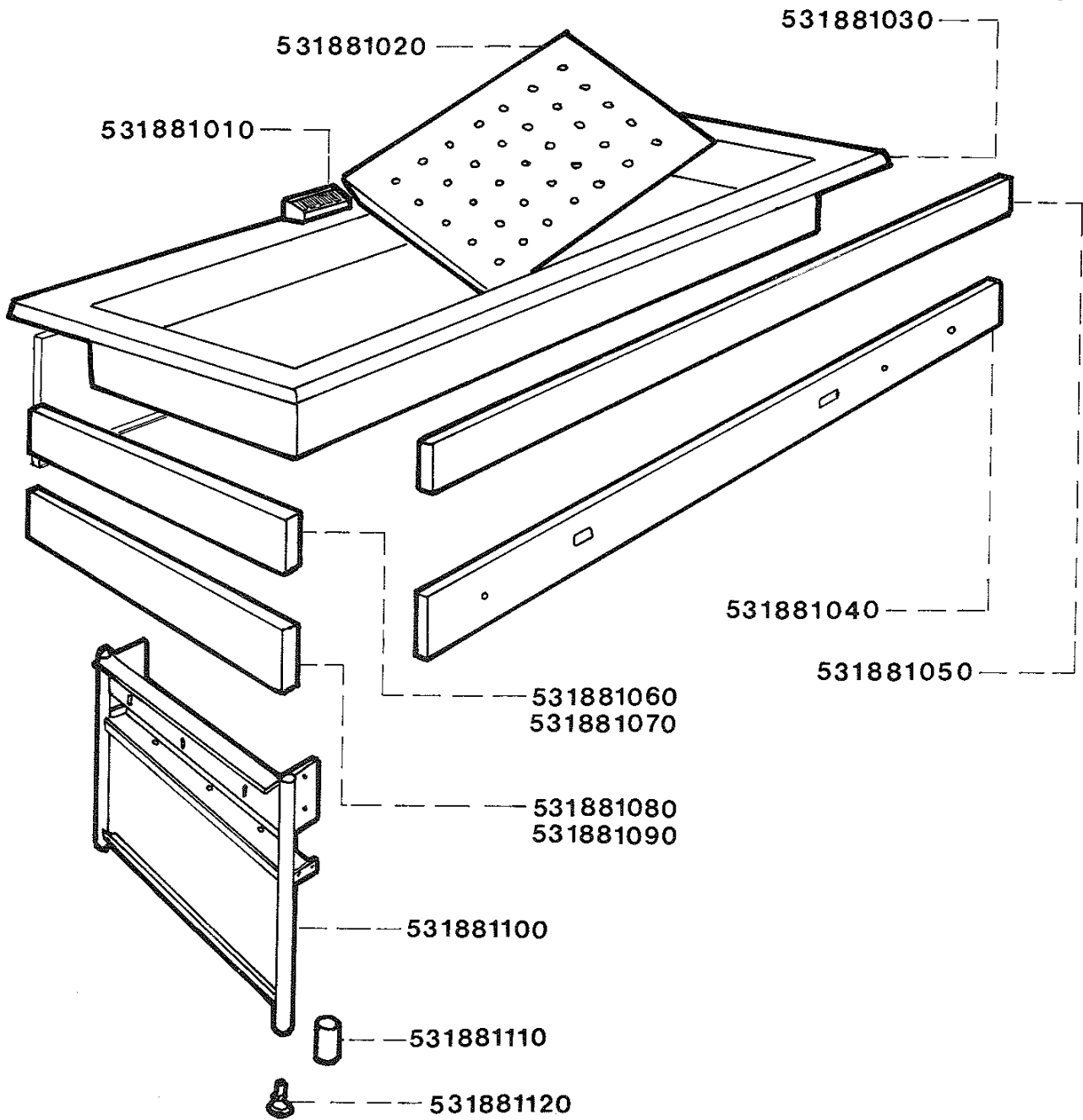


# G1036S CHIEFTAIN SERIES

# Fitments



Code	No.	Description
1G	531881010	Flue Outlet
3G	531881020	Pan Insert
4P	531881030	Water Pan
1H	531881040	Control Panel
7G	531881050	Top Front Panel
10E	531881060	Top Side Panel — L.H.
10E	531881070	Top Side Panel — R.H.
1F	531881080	Bottom Side Panel — L.H.
1F	531881090	Bottom Side Panel — R.H.
7J	531881100	End Leg Assembly
12B	531881110	Leg Cover
9C	531881120	Adjustable Foot

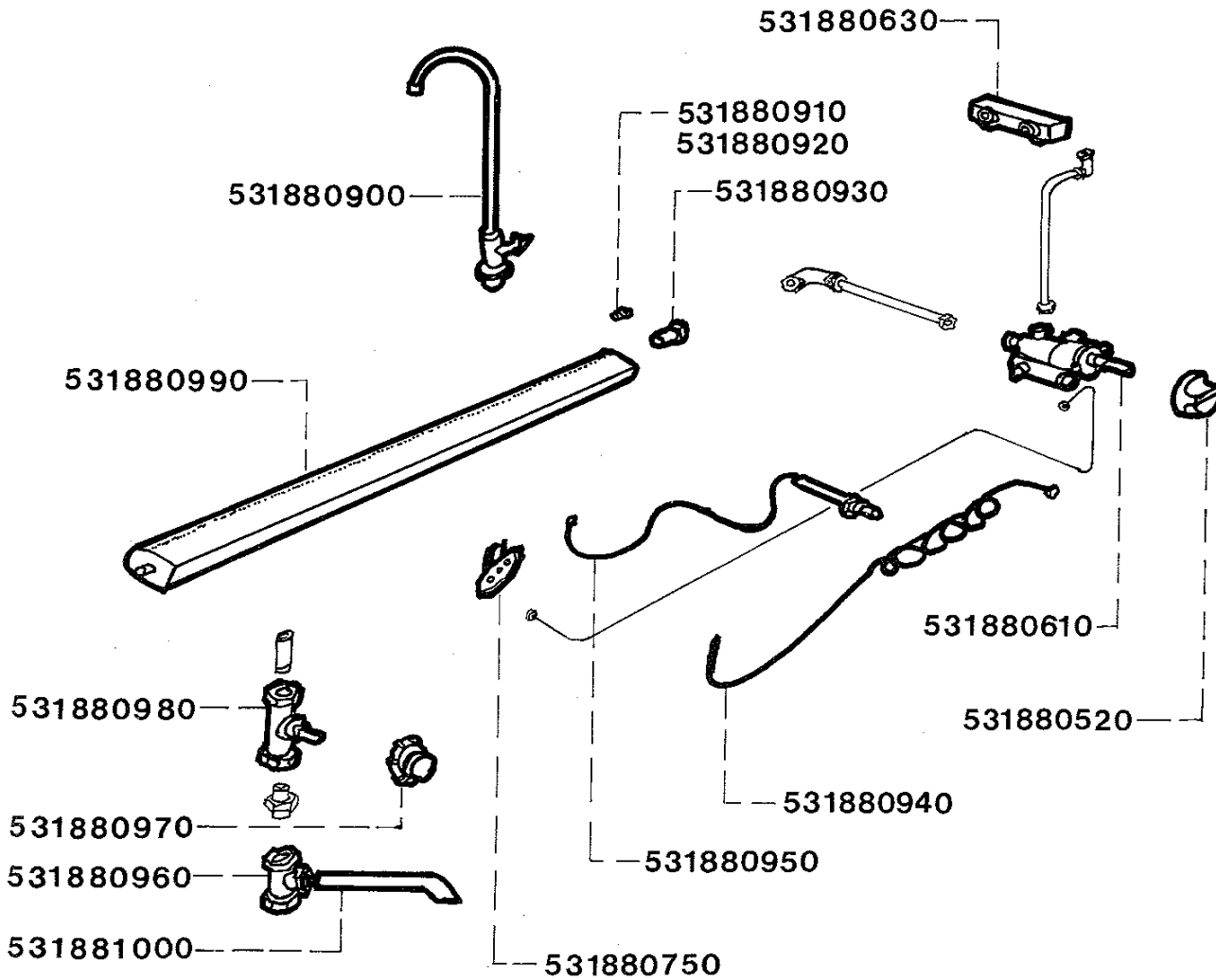
Sheet Reference Number

G1036S/1185/001

**Falcon Catering  
Equipment**  
Commercial and institutional  
catering equipment



Falcon Catering Equipment is a  
business name of  
Glynwed Consumer & Building Products Ltd  
a member of the  
Glynwed International plc  
group of companies



Code	No.	Description
6B	531880520	Gas Control Knob
5E	531880610	Gas Control
7D	531880750	Target Pilot Burner
5K	531880900	Swivel Tap
1B	531881130	Injector — Nat. Gas
1B	531881140	Injector — L.P. Gas
1B	531880930	Injector Holder
5D	531880940	Thermocouple
1D	531880950	Igniter
1H	531880960	Banjo
6B	531880970	Drain Cock Knob
9E	531880980	Drain Cock
9C	531881000	Drain Pipe
4H	531881150	Burner

Sheet Reference Number

G1036S/1185/002

**Falcon Catering  
Equipment**  
Commercial and institutional  
catering equipment



Falcon Catering Equipment is a  
business name of  
Clywed Consumer & Building Products Ltd  
a member of the  
Clywed International plc  
group of companies