



## **Kühlung Tiefkühl-Huckepackaggregat**

Artikel-Nr.  
666020 (ATK2170)

---

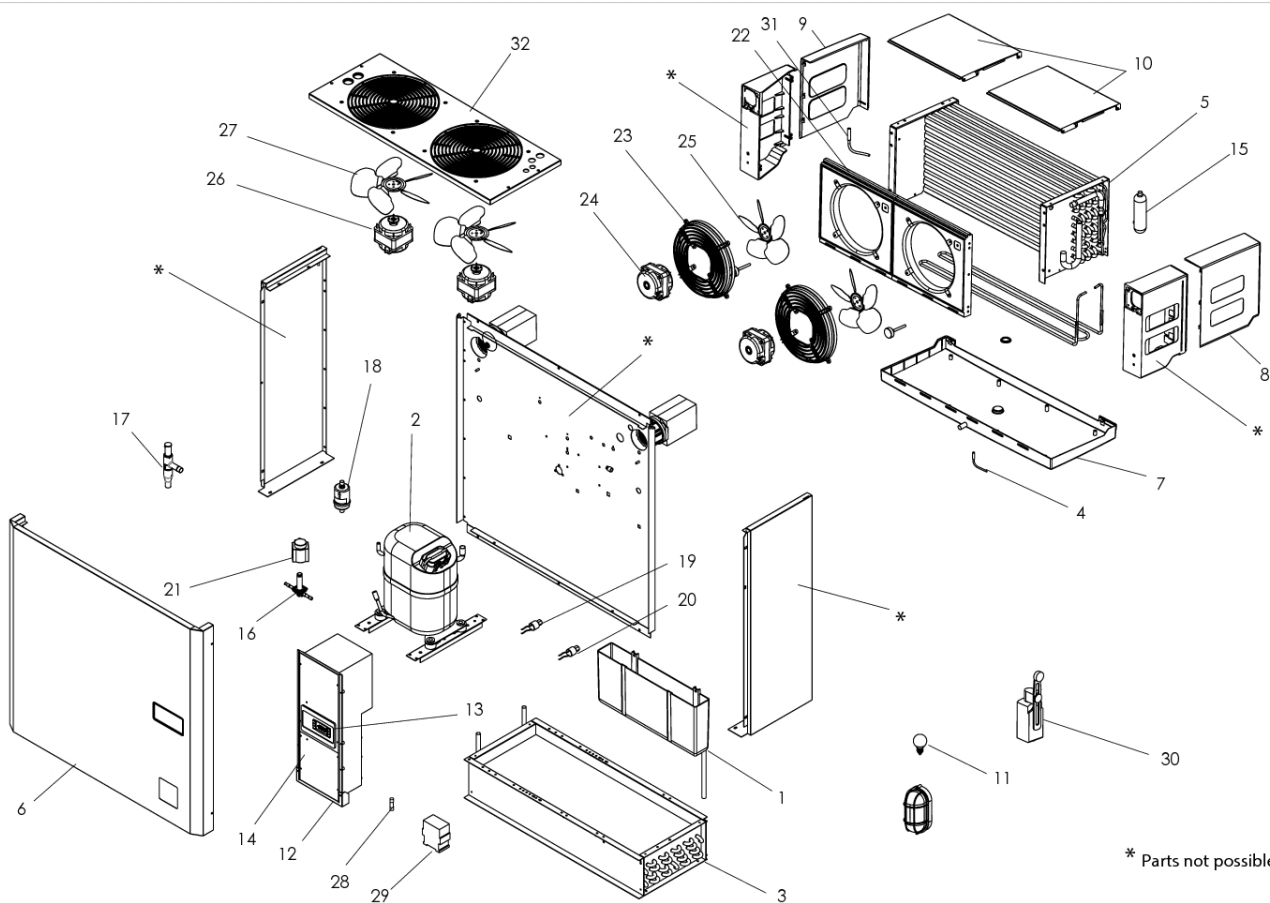
### **Explosionszeichnung / Ersatzteile**

---

Bitte bei Ersatzteilbestellung immer Artikelnummer und  
Seriennummer mit angeben!



AT2



## ATK2170A2202\_A

| Pos . | Code        | Description               | Qta | UM | Note |
|-------|-------------|---------------------------|-----|----|------|
| 1     | (3CMVP011   | CONDENSATE TRAY           | 1   |    |      |
| 2     | 3CMP359     | COMPRESSOR                | 1   |    |      |
| 3     | 3CND429     | CONDENSER                 | 1   |    |      |
| 4     | 3RST196     | DRAIN HEATER              | 1   |    |      |
| 5     | 3EVP401     | EVAPORATOR                | 1   |    |      |
| 6     | (2VT02852P  | FRONTAL PANEL             | 1   |    |      |
| 7     | (3CMVP02508 | EVAPORATOR DRAIN TRAY     | 1   |    |      |
| 8     | (3CMVP12503 | EVAPORATOR LEFT SIDE      | 1   |    |      |
| 9     | (3CMVP12504 | EVAPORATOR RIGHT SIDE     | 1   |    |      |
| 10    | (3CMVP12508 | EVAPORATOR REAR COVER     | 2   |    |      |
| 11    | 3LMP047     | LAMP                      | 1   |    |      |
| 12    | 3QAT0AAA12  | ELECTRIC PANEL            | 1   |    |      |
| 13    | 3CTL199     | CONTROL PANEL             | 1   |    |      |
| 14    | 3PNP077     | CONTROL PANEL FOIL        | 1   |    |      |
| 15    | (4ACLC002   | LIQUID SEPARATOR          | 1   |    |      |
| 16    | 3VLS002     | SOLENOID VALVE            | 1   |    |      |
| 17    | 3VRP056     | PRESSURE REGULATING VALVE | 1   |    |      |
| 18    | 3FLT200     | FILTER                    | 1   |    |      |
| 19    | 3PRS027     | HIGH PRESSURE SWITCH      | 1   |    |      |
| 20    | 3PRS044     | LOW PRESSURE SWITCH       | 1   |    |      |
| 21    | 3CVS001     | SOLENOID COIL             | 1   |    |      |
| 22    | (3CMVP12507 | FAN MOTOR SUPPORT PANEL   | 1   |    |      |
| 23    | (3CMVP12523 | FAN GRILLE                | 2   |    |      |
| 24    | 3MVN028     | FAN MOTOR                 | 2   |    |      |
| 25    | 3VNT054     | EVAPORATOR FAN BLADE      | 2   |    |      |
| 26    | 3MVN027     | FAN MOTOR                 | 2   |    |      |
| 27    | 3VNT053     | EVAPORATOR FAN BLADE      | 2   |    |      |

**ATK2170A2202\_A**

| Pos . | Code        | Description             | Qta | UM | Note |
|-------|-------------|-------------------------|-----|----|------|
| 28    | 3FSB017     | FUSE                    | 1   |    |      |
| 29    | 3CTT052     | CONTACTOR               | 1   |    |      |
| 30    | 3MCT014     | DOOR MICROSWITCH        | 1   |    |      |
| 31    | 3SNS085     | TEMPERATURE PROBE       | 2   |    |      |
| 32    | (3CMVP02001 | FAN MOTOR SUPPORT PANEL | 1   |    |      |