

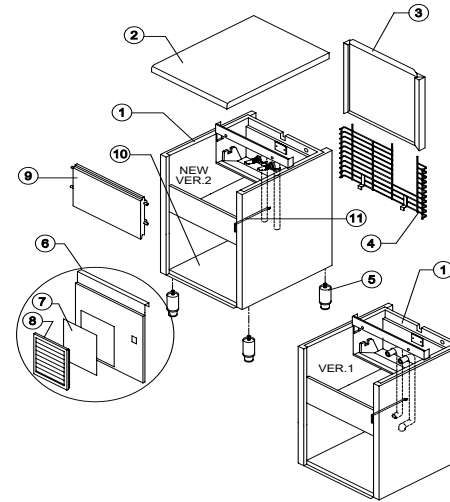


CB 416

LIST OF THE EXPLODED VIEWS



SHELL ASSY

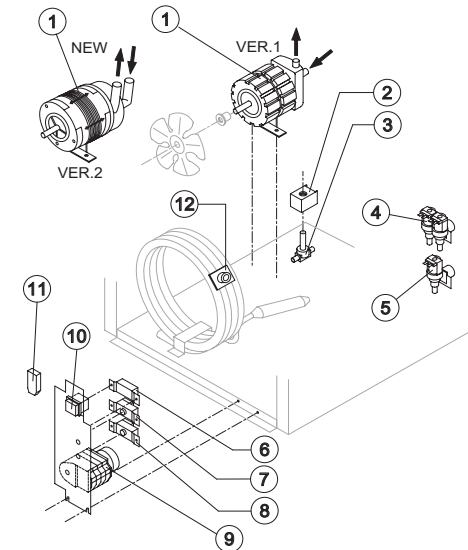
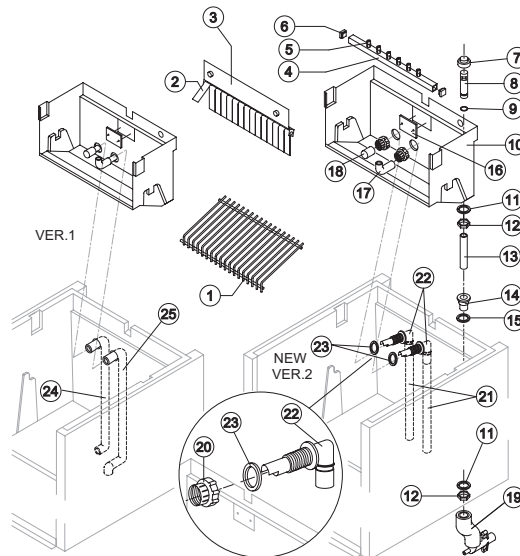
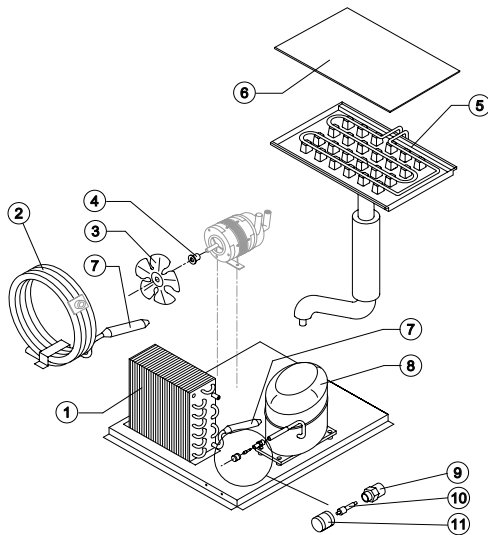


COOLING SYSTEM

HYDRAULIC CIRCUIT

ELECTRIC PARTS

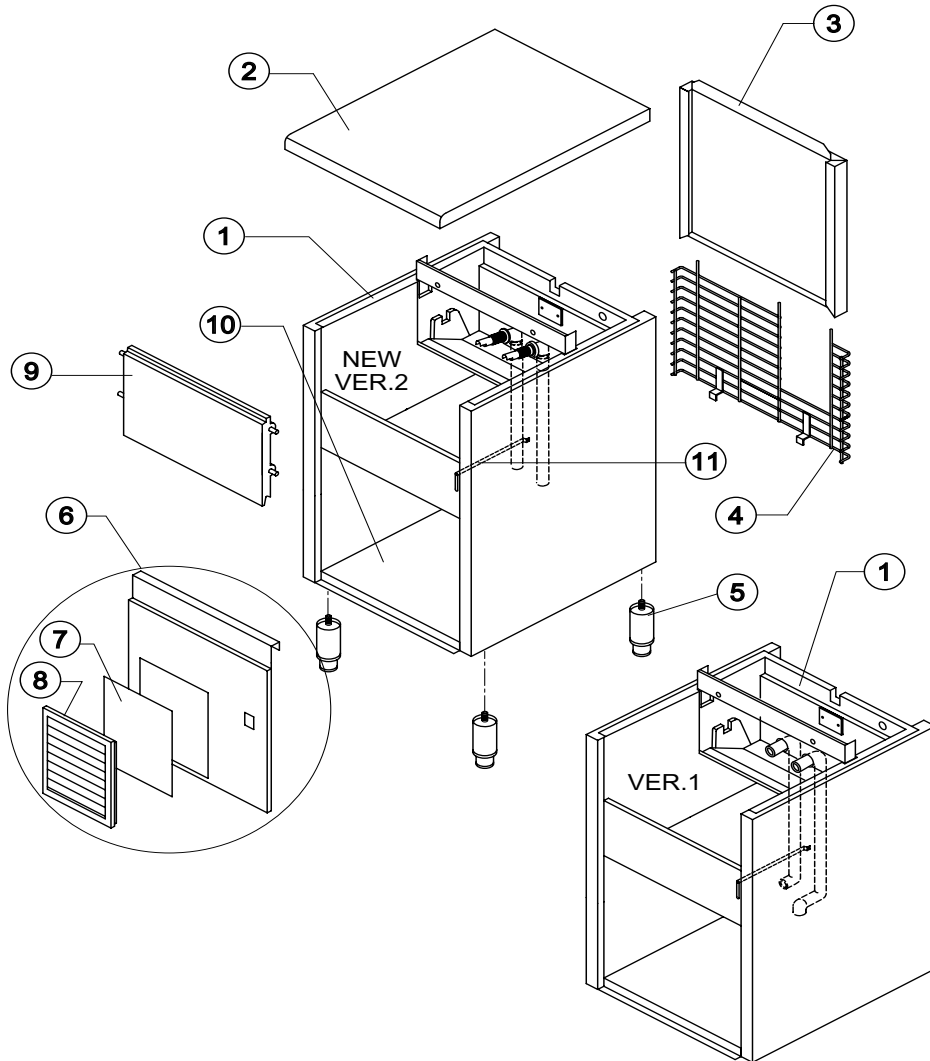
Rev. 3 - 2/7/2003





CB 416

SHELL ASSY



Rev. 3 - 2/7/2003

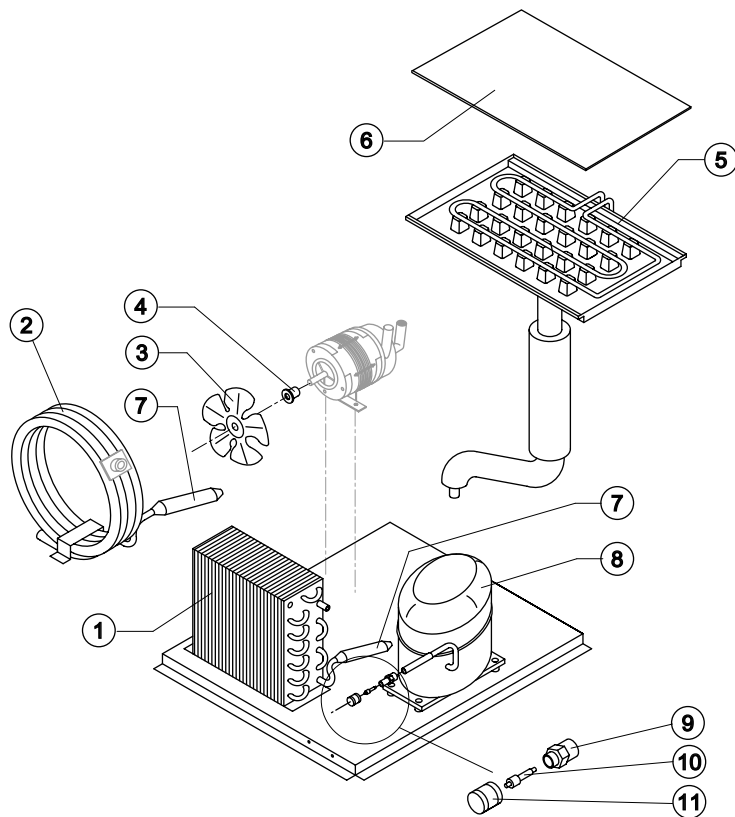
| Ref. | Spare Description | Code |
|------|---------------------------------|------------------|
| 1 | Foamed Cabinet Assy | See Table |
| 2 | Top Assembly | C22692 |
| 3 | Back Panel Assembly | C22129 |
| 4 | Rear Grid | D12006 |
| 5 | Stainless Steel Foot Adjustable | Current Version |
| 5 | ABS Foot | Till s/n. 141256 |
| 6 | Front Grid Panel | Current Version |
| 6 | Front Panel | Till s/n. 29835 |
| 7 | Filtering Panel | 18106 |
| 8 | Frame with Grid & Filter | C10205 |
| 9 | Door Assy | C10297 |
| 10 | Base Plate | Current Version |
| 10 | Base Plate | Till s/n. 141256 |
| 11 | Bulb Thermostat Tube | 20522 |

Ref. 1 - Foamed Cabinet Assy Version 1

| Kind of Cube | Code |
|------------------|-----------|
| 18 g. (Standard) | C11004/E |
| 33 g. (Big) | C11004/E |
| 13 g. (Small) | C11004/ED |

Ref. 1 - Foamed Cabinet Assy Version 2

| Condensation | Code |
|--------------|---------|
| Air | C11004A |
| Water | C11004W |



Common Parts

| Ref. | Spare Description | Code |
|------|----------------------------|-----------|
| 3 | Suction Fan | 10213 |
| 4 | Hub for the Fan Fixing | 10014 |
| 5 | Evaporator | See Table |
| 6 | Evaporator Cover | 10023 |
| 7 | Molecular Filter | 14009 |
| 8 | Compressor | See Table |
| 9 | Vacuum-Charge Valve Body | 14007 |
| 10 | Vacuum-Charge Valve Device | 14005 |
| 11 | Vacuum-Charge Valve Plug | 14006 |

Parts for Air-Cooled Version Only

| Rif. | Spare Description | Code |
|------|-------------------|-------|
| 1 | Air Condenser | 20019 |

Parts for Water-Cooled Version Only

| Rif. | Spare Description | Code |
|------|-------------------|-------|
| 2 | Water Condenser | 14014 |

Ref. 5 - Evaporator

| Kind of Cube | Code |
|------------------|--------|
| 18 g. (Standard) | D10046 |
| 33 g. (Big) | D10089 |
| 13 g. (Small) | D10417 |

Ref. 8 - Compressor

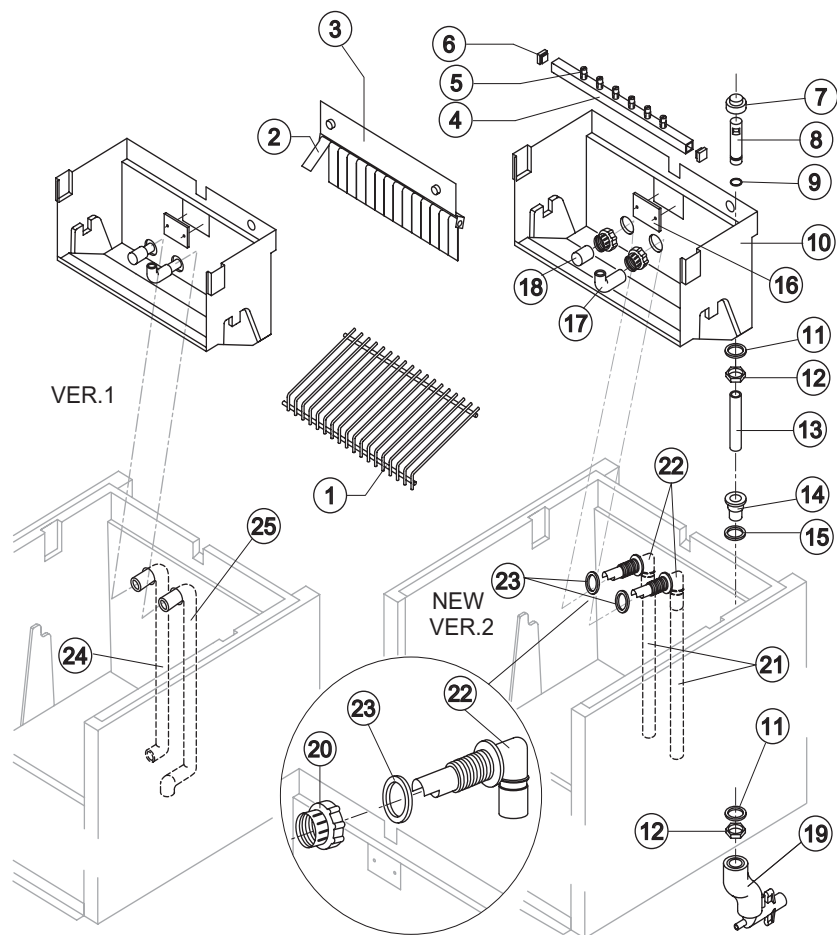
| Tension | Code |
|----------------|-------|
| 220/240V 50 Hz | 23437 |
| 220/230V 60 Hz | 23495 |
| 110/115V 60 Hz | 23464 |

! Ref. 5 - For ice makers made in version 1 (for "small size" ice cube only) ask, beside the Evaporator, also the Evaporator Support.



CB 416

HYDRAULIC CIRCUIT



Common Parts

| Ref. | Spare Description | Code |
|------|--|-----------------|
| 1 | Ices Cube Slide | See Table |
| 2 | Flag | 10005 |
| 3 | Flags Support Assy | C22035 |
| 4 | Sprayers Bar Assembly | See Table |
| 5 | Sprayer | D20002 |
| 6 | Sprayers Bar Plug | 10012 |
| 7 | Overflow Cap | 10305 |
| 8 | Overflow Pipe | 10133 |
| 9 | Or Gasket for Overflow Pipe | 20233 |
| 10 | Inner Basin | 10253 |
| 11 | Semirigid Polyethylene gasket | 13007 |
| 12 | Bin Discharge Nut | 10096 |
| 13 | Overflow Pipe | Current Version |
| 13 | Overflow pipe | Till s/n. 64147 |
| 14 | Plastic Nipple Water Outlet | 10007 |
| 15 | Silicone Gasket | 13006 |
| 16 | Slide Keep Plate | 10009 |
| 17 | Sprayers Feeding Pipe | 13005 |
| 18 | Pump Suction Filter | 20005 |
| 20 | Fittings Locking Ring | Version 2 |
| 20 | Fittings Locking Ring | 10405 |
| 21 | Pump Suction/Delivery Pipe | Version 2 |
| 21 | Pump Suction/Delivery Pipe | 13137 |
| 22 | Fitting of the Pump Suction/Delivery Pipes | Version 2 |
| 22 | Fitting of the Pump Suction/Delivery Pipes | 10404 |
| 23 | Gasket for Suction Line/Pump Delivery | Version 2 |
| 23 | Gasket for Suction Line/Pump Delivery | 13143 |
| 24 | Pump Suction Pipe | Version 1 |
| 24 | Pump Suction Pipe | 13013 |
| 25 | Pump Delivery Pipe | Version 1 |
| 25 | Pump Delivery Pipe | 13014 |

Ref. 1 - Ice Cubes Slide

| Kind of Cube | Code |
|------------------|--------|
| 18 g. (Standard) | D12008 |
| 33 g. (Big) | D12030 |
| 13 g. (Small) | D12038 |

Ref. 4 - Sprayers Bar Assy

| Kind of Cube | Code |
|------------------|--------|
| 18 g. (Standard) | C20029 |
| 33 g. (Big) | C20155 |
| 13 g. (Small) | C20189 |

Parts for Air Cooled Version Only

| Ref. | Spare Description | Code |
|------|---------------------|--------|
| 19 | Discharges Manifold | C10006 |

Parts for Water Cooled Version Only

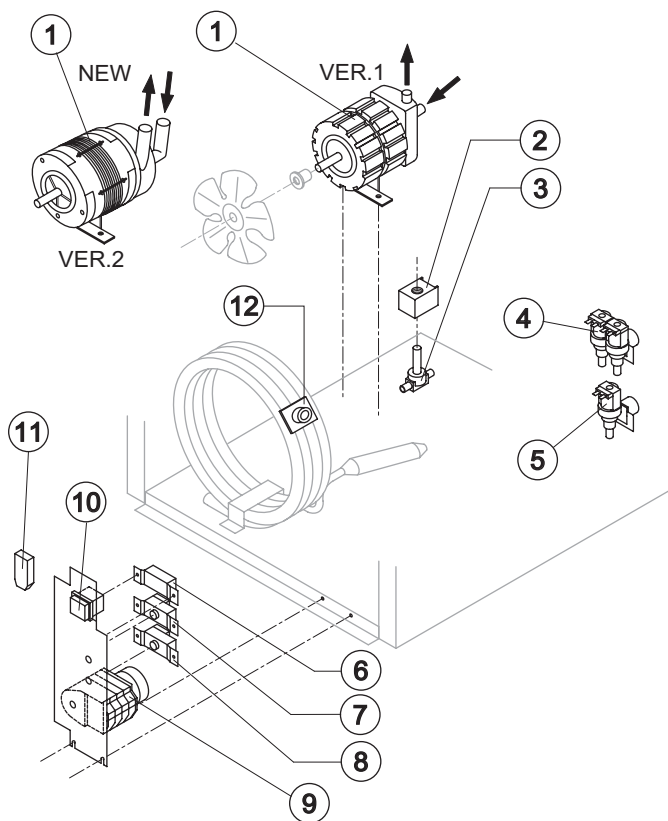
| Ref. | Spare Description | Code |
|------|---------------------|--------|
| 19 | Discharges Manifold | C26452 |

Rev. 3 - 2/7/2003



CB 416

ELECTRIC PARTS



Common Parts

| Ref. | Spare Description | Code |
|------|-----------------------|-------------|
| 1 | Pump | See Table - |
| 2 | Hot Gas Coil | See Table - |
| 3 | Hot Gas Valve Body | 20410 |
| 7 | Bin Thermostat | 23005 |
| 8 | Evaporator Thermostat | 23591 |
| 9 | Timer | See Table - |
| 10 | Green Light Switch | 23327 |

Parts for Air-Cooled Version Only

| Ref. | Spare Description | Code |
|------|------------------------|-------------|
| 5 | Inlet Watervalue 1 Way | See Table - |

Parts for Water-Cooled Version Only

| Ref. | Spare Description | Code |
|------|--------------------------------|-----------------------|
| 4 | Inlet Watervalue 2 Ways | See Table - |
| 6 | Condenser Pressure Switch | 23175 |
| 11 | Anti Radio Interference Filter | Solo 220V 50 Hz 23457 |
| 12 | Safety Thermostat | C23114 |

Ref. 1 - Pump

| Tension | Version 1 | Version 2 |
|----------------|-----------|-----------|
| 220/240V 50 Hz | 23002 | 23377 |
| 220/230V 60 Hz | 23002 | 23377 |
| 110/115V 60 Hz | 23264 | 23663 |

Ref. 2 - Hot Gas Coil

| Tension | Code |
|----------------|-------|
| 220/240V 50 Hz | 23091 |
| 220/230V 60 Hz | 23091 |
| 110/115V 60 Hz | 23256 |

Ref. 4 - Inlet Watervalue 2 Ways

| Tension | Code |
|----------------|-------|
| 220/240V 50 Hz | 23010 |
| 220/230V 60 Hz | 23010 |
| 110/115V 60 Hz | 23261 |

Ref. 5 - Inlet Watervalue 1 Way

| Tension | Code |
|----------------|-------|
| 220/240V 50 Hz | 23001 |
| 220/230V 60 Hz | 23001 |
| 110/115V 60 Hz | 23260 |

Ref. 9 - Timer

| Tension | 18g Cube | 33g Cube | 13g Cube |
|----------------|----------|----------|----------|
| 220/240V 50 Hz | 23222 | 23248 | 23247 |
| 220/230V 60 Hz | 23248 | 23396 | 23247 |
| 110/115V 60 Hz | 23259 | 23397 | 23258 |

Rev. 3 - 2/7/2003