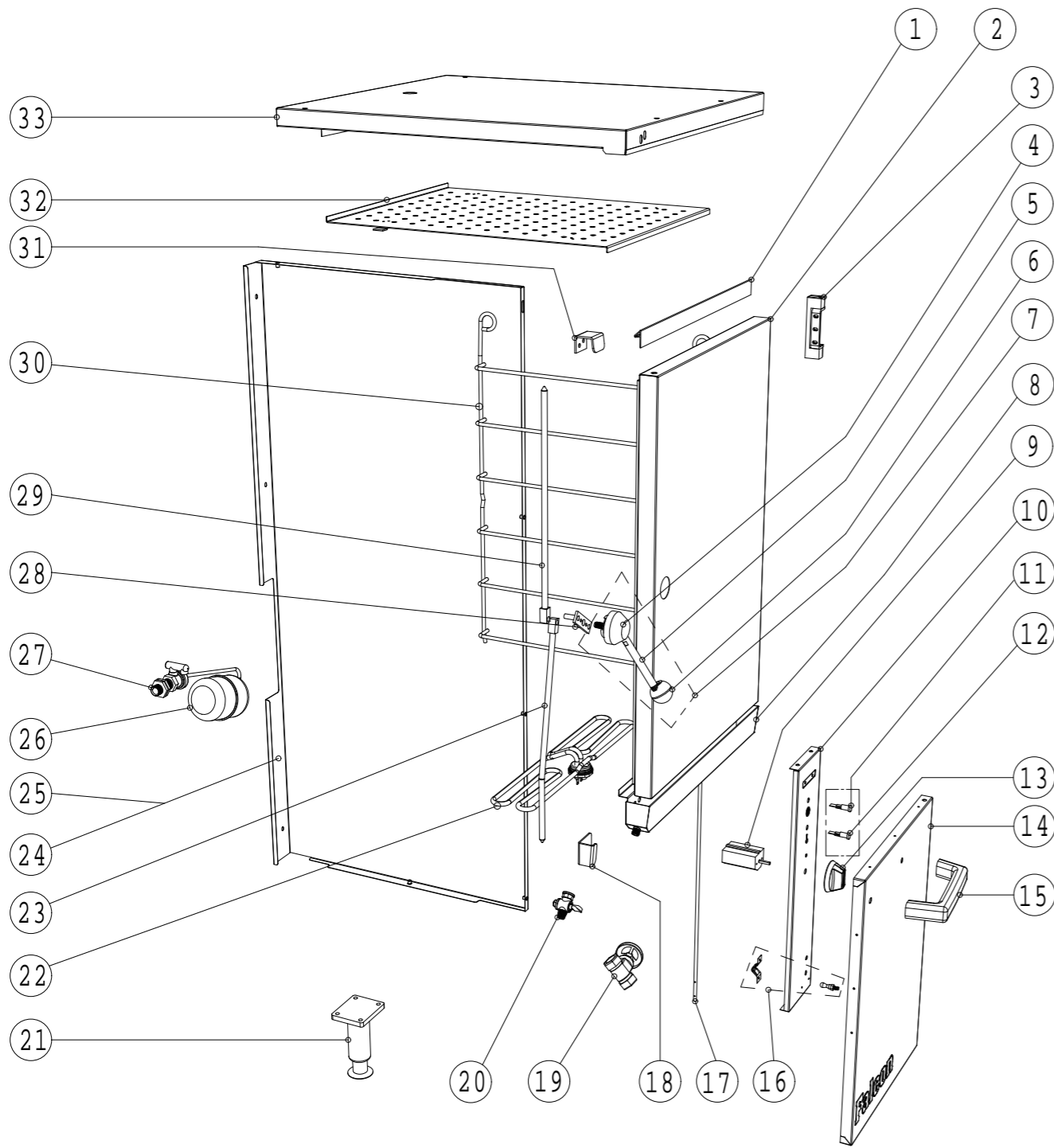
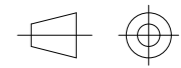


IF IN DOUBT ASK!!

DO NOT SCALE !!  
First Angle Projection



ITEM No.	DESCRIPTION OF PART	SPARES No.
01	OVEN DOOR SEAL	730843080
02	OVEN DOOR COMPLETE	730843170
03	OVEN DOOR HINGE	530843125
04	OVEN DOOR HANDLE BOSS	530843180
05	OVEN DOOR HANDLE ROD	730843040
06	OVEN DOOR HANDLE BALL	730843050
07	OVEN DOOR HANDLE ASSEMBLY	530843210
08	DRIP TROUGH	530843260
09	CONTROL SWITCH	730840040
10	CONTROL PANEL (FACIA)	730860000
11	RED MAINS NEON INDICATOR	730860010
12	AMBER HEAT NEON INDICATOR	730860020
11+12	NON STANDARD VOLTAGE - RESISTOR KIT FOR NEON INDICATORS	730860160
13	CONTROL KNOB	730860030
14	BOTTOM DOOR ASSEMBLY	535850001
15	BOTTOM DOOR HANDLE	730860040
16	BOTTOM DOOR CATCH	530843140
17	BOTTOM DOOR HINGE ROD	530843141
18	OVEN DOOR LATCH BRACKET (BOTTOM)	530840160
19	DRAIN GATE VALVE	530843010
20	DRIP TROUGH COCK VALVE	730843090
21	ADJUSTABLE FOOT	730843020
22	ELEMENT (STANDARD)	730840010
	ELEMENT (220V) FOR 380V ~3N	730860070
	ELEMENT (254V) FOR 440V ~3N	730860080
	ELEMENT (277V) FOR 480V ~3N	730860090
	ELEMENT (380V) FOR 380V ~3	730860100
	ELEMENT (415V) FOR 415V ~3	730860110
	ELEMENT (440V) FOR 440V ~3	730860120
	ELEMENT (480V) FOR 480V ~3	730860130
23	OVEN DOOR LOCKING ROD (BOTTOM)	530843131
24	LH OUTER SIDE PANEL	730860050
25	RH OUTER SIDE PANEL (AS SHOWN)	730860060
26	CISTERN FLOAT	530843040
27	CISTERN BALL VALVE	530843055
28	OVEN DOOR LOCKING BAR	530843091
29	OVEN DOOR LOCKING ROD (TOP)	530843121
30	OVEN SHELF HANGER (LH OR RH)	530843021
31	OVEN DOOR LATCH BRACKET (TOP)	530843290
32	OVEN SHELF	520840015
33	OUTER TOP PANEL	530843250

All Dimensions in millimetres, Tolerance- Linear ±0.5mm Angular ±0.5° (or as stated)

C	NON STANDARD VOLTAGE SPARES ADDED	S. BROWN	06/07/06
B	KRAUS No. ADDED	S. BROWN	27/01/05
A	934 PRODUCTION ISSUE	S. BROWN	16/06/03
G	Issue Mod No. Alteration	Zone	Drawn by Date



This part is common to the following units

Drawn	S. BROWN	Product	E6478 - STEAMING OVEN	
Date	12/06/03	Title	SPARES INFORMATION	
Scale	N.T.S	Matl.	Drawing Number	Issue
Bin No.	RZZ371	Kraus No.	AA41441	C

No reproduction or publication of this drawing may be made and no article may be manufactured or assembled in accordance with this drawing without prior written consent. This prohibition is a term of any contract relating to this drawing. Rights reserved under the Copyright Act 1956 as amended by the Design Copyright Act 1968.

UNCONTROLLED