



VM 900

LIST OF THE EXPLODED VIEWS

From s/n. 297566 up Today



SHELL ASSY

COOLING SYSTEM

HYDRAULIC CIRCUIT

SPRAYER PUMP

ELECTRIC PARTS

From s/n.141196 Till s/n. 297565



SHELL ASSY

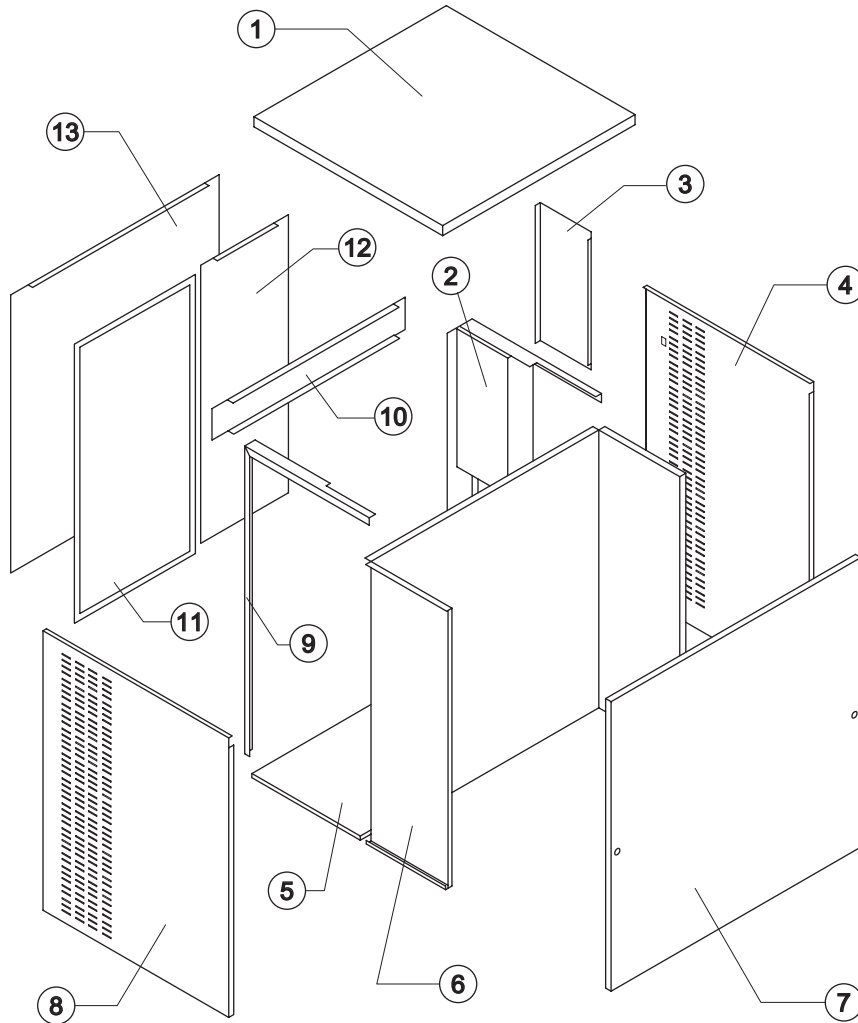
COOLING SYSTEM

HYDRAULIC CIRCUIT

SPRAYER PUMP

ELECTRIC PARTS

Rev. 6 - 25/05/2009



Rev. 6 - 25/05/2009

Common Parts

Ref.	Spare Description	Code
1	Top Assembly	C22813
2	Right Angle Bar	22814
3	Electrical Box Cover	21323
4	Right Side Panel	22408
5	Base Plate	22812
6	Evaporator Chamber	22819
7	Front Panel Assembly	C22816B
8	Left Side Panel	22822
9	Left Angle Bar	22820
10	Rear Cross Bar	22817

Parts for Air-Cooled Version Only

Ref.	Spare Description	Code
11	Filter	18166
12	Rear Panel	21287

Parts for Water-Cooled Version Only

Ref.	Spare Description	Code
13	Rear Panel	21285



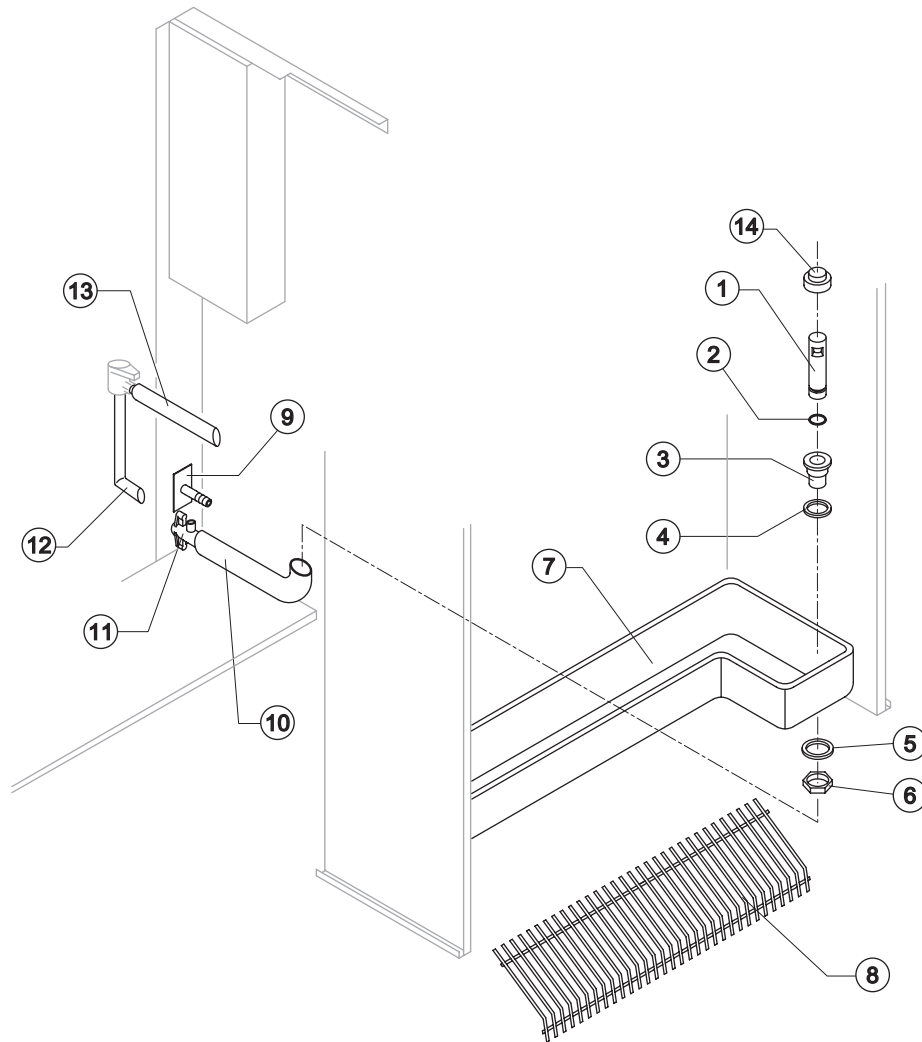
Common Parts

Ref.	Spare Description	Code
1	Overflow Pipe	10399
2	OR Gasket for Overflow Pipe	20233
3	Overflow Pipe Nipple	10471
4	Silicone Gasket	13006
5	Semirigid Polyethylene Gasket	13007
6	Bin Discharge Nut	10096
7	Water Basin	10395
8	Ice Cubes Slide	D12057
10	Overflow Pipe Nipple	13120
11	Drain Nipple	10431
12	Discharge Valve Connection Pipe - Discharge	13040
13	Discharge Valve Connection Pipe ("T"Shaped)	13102
14	Overflow Cap	10305

Parts for Water-Cooled Version Only

Ref.	Spare Description	Code
9	Conenction with Plate	C20462

Rev. 6 - 25/05/2009

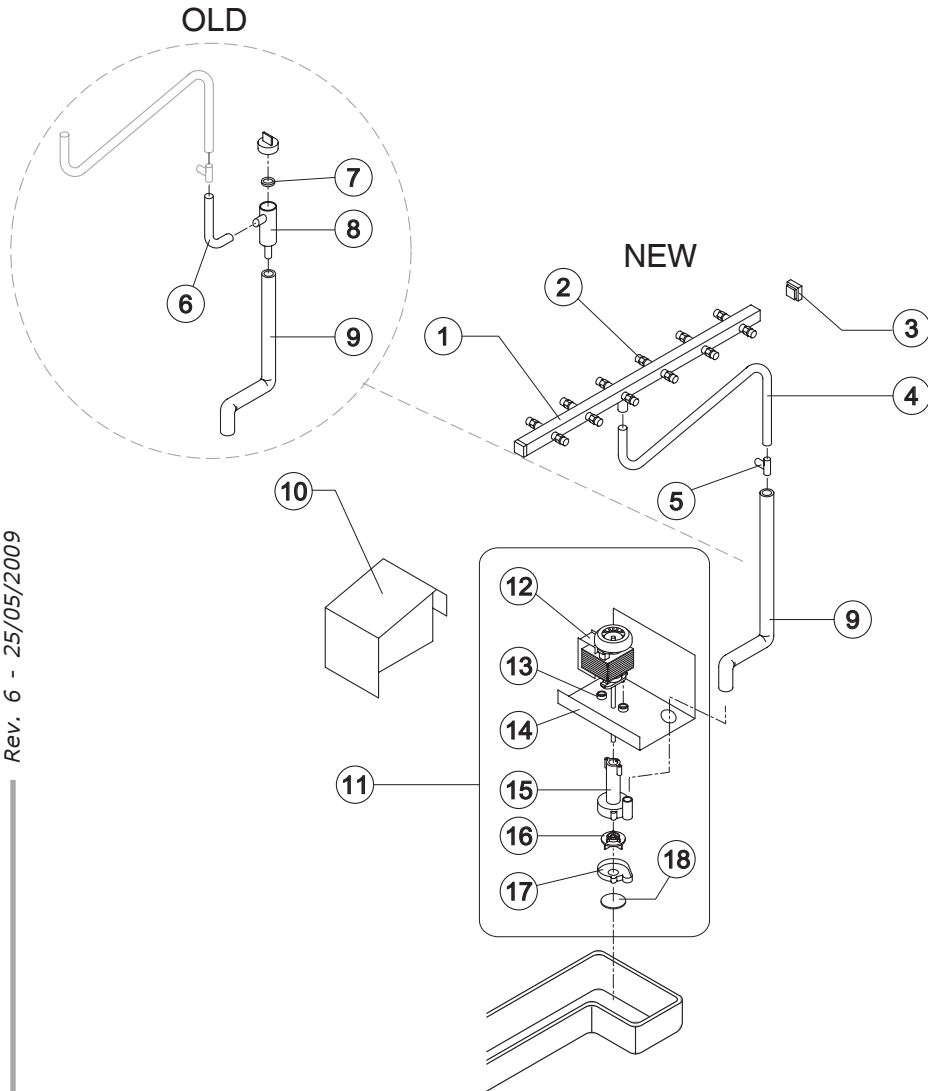




VM 900

From s/n. 297566 up Today

SPRAYER PUMP



Ref.	Spare Description	Code
1	Sprayers Bar Assembly	C20617
2	Sprayer	D20463
3	Sprayers Bar Plug	10012
4	Sprinkler Ba Connection Pipe ("T" Shaped)	13134
5	Plastic "T" ø 20	10082
6	Sprayers Feeding Pipe	13005
7	Pump Filter Gasket	13080
8	Pump Filter	10139
9	"T" - Pump Connection Pipe	See Table
10	Protection Pump Panel	22804
11	Pump Assembly	See Table
12	Pump	See Table
13	Pump Motor Shim	20510
14	Pump Motor Support	22799
15	Pump Body	10065
16	Pump Impeller	See Table
17	Diffusor	10067
18	Pump Filter	20518

Ref. 9 - "T"-Pump Connection Pipe

Version	Code
NEW	13113
OLD	13157

Ref. 11 - Pump Assembly

Tension	Code
T11	C23626
T12	C23627
T18	C23627

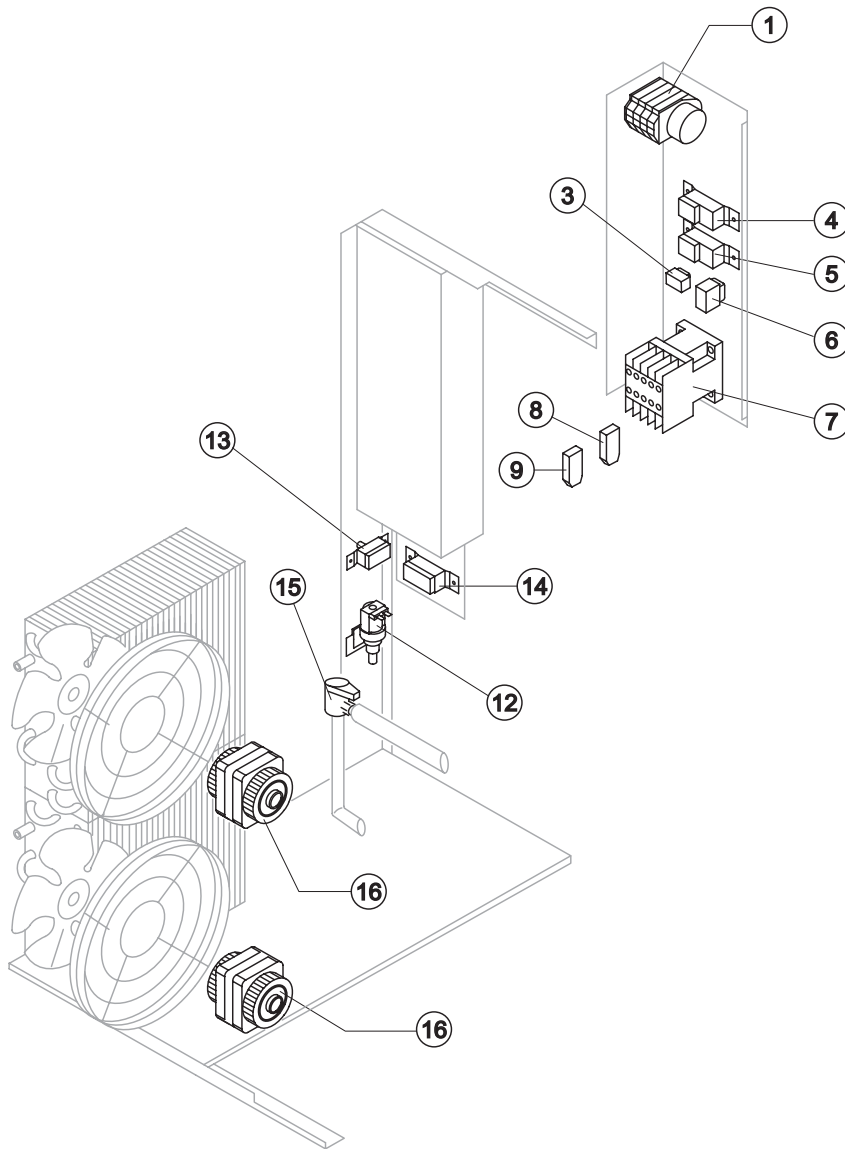
Ref. 12 - Pump

Tension	Code
T11	23600
T12	23601
T18	23601

Ref. 16 - Pump Impeller

Tension	Code
T11	10066
T12	10138
T18	10138

Rev. 6 - 25/05/2009



Common Parts

Ref.	Spare Description	Code
1	Timer	See Table
3	"Cleaning" Switch	23619
4	Bin Thermostat	R23005
5	Evaporator Thermostat	R23597
6	Green Light Switch (On-Off)	23327
7	Contactor	23147
12	1 Way- Water Inlet Valve	23623
13	Safety Pressure Switch	23342
15	Water Outlet Valve	23537

Parts for Air-Cooled Version Only

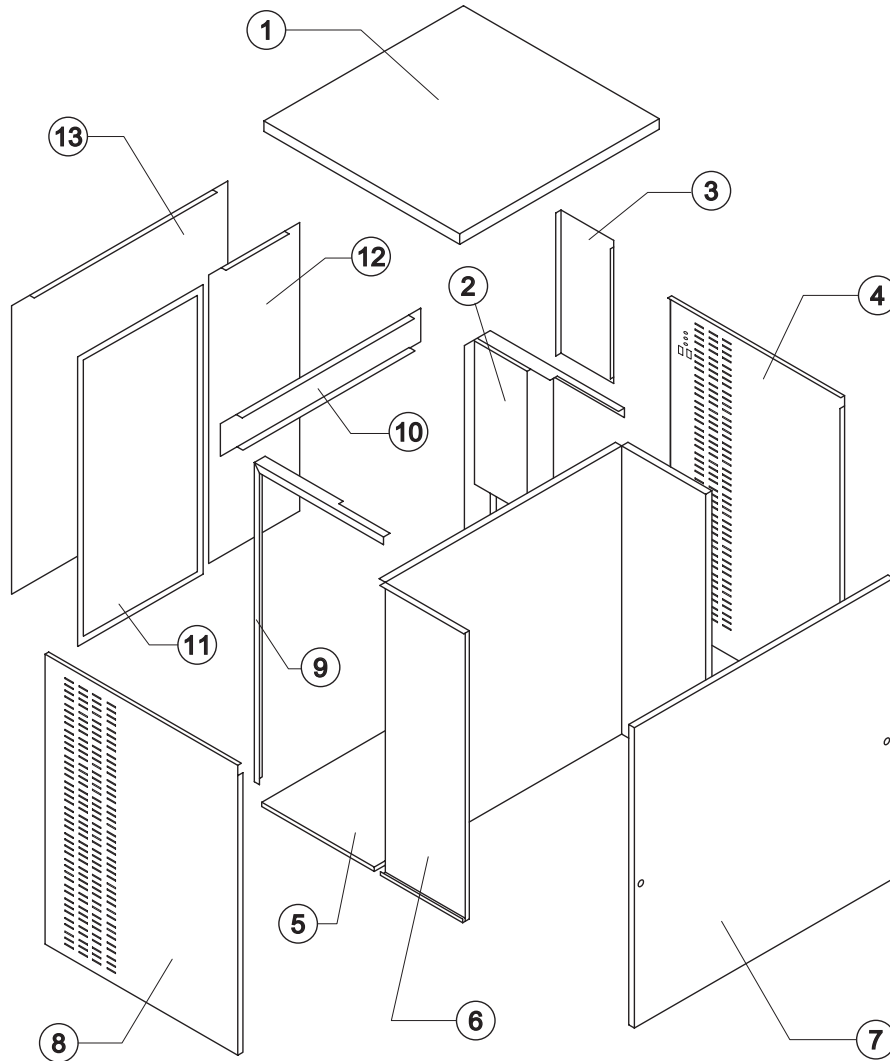
Ref.	Spare Description	Code
8	Anti Radio Interference Filter	Only T11 C23459
9	Anti Radio Interference Filter	Only T11 C23458
14	Condenser Pressure Switch	See Table -
16	Fan Motor	23121

Ref. 1 - Timer

Tension	Code
T11	23635
T12	23632
T18	23632

Ref. 14 - Cond. Pressure Switch

Tension	Code
T11	23175
T12	23175
T18	23680



Rev. 6 - 25/05/2009

Common Parts

Ref.	Spare Description	Code
1	Top Assembly	C22813
2	Right Angle Bar	22814
3	Electrical Box Cover	21274
4	Right Side Panel	22821
5	Base Plate	22812
6	Evaporator Chamber	22819
7	Front Panel Assembly	C22816B
8	Left Side Panel	22822
9	Left Angle Bar	22820
10	Rear Cross Bar	22817

Parts for Air-Cooled Version Only

Ref.	Spare Description	Code
11	Filter	18166
12	Rear Panel	21287

Parts for Water-Cooled Version Only

Ref.	Spare Description	Code
13	Rear Panel	21285



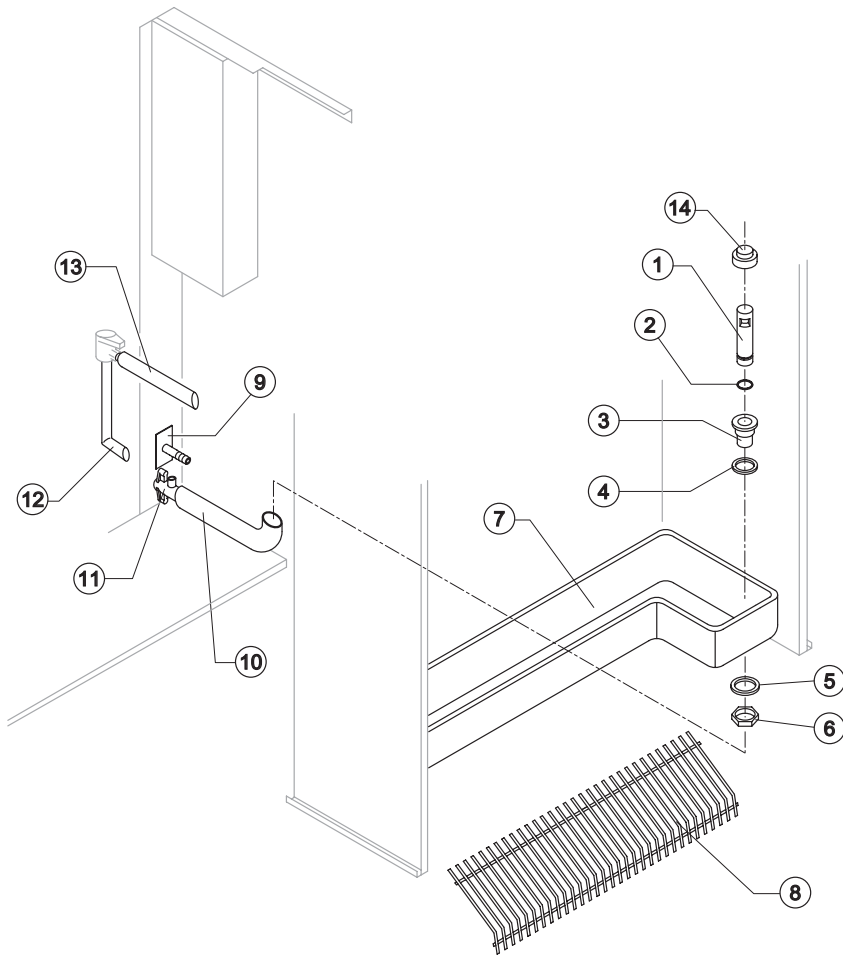
Common Parts

Ref.	Spare Description	Code
1	Overflow Pipe	10399
2	OR Gasket for Overflow Pipe	20233
3	Silicone Gasket	10241
4	Silicone Gasket	13006
5	Semirigid Polyethylene Gasket	13007
6	Bin Discharge Nut	10096
7	Water Basin	10395
8	Ice Cubes Slide	D12057
10	Overflow Pipe Nipple	13120
11	Drain Nipple	10431
12	Discharge Valve Connection Pipe - Discharge	13040
13	Discharge Valve Connection Pipe ("T"Shaped)	13102
14	Overflow Cap	10305

Parts for Water-Cooled Version Only

Ref.	Spare Description	Code
9	Connection with Plate	C20462

Rev. 6 - 25/05/2009

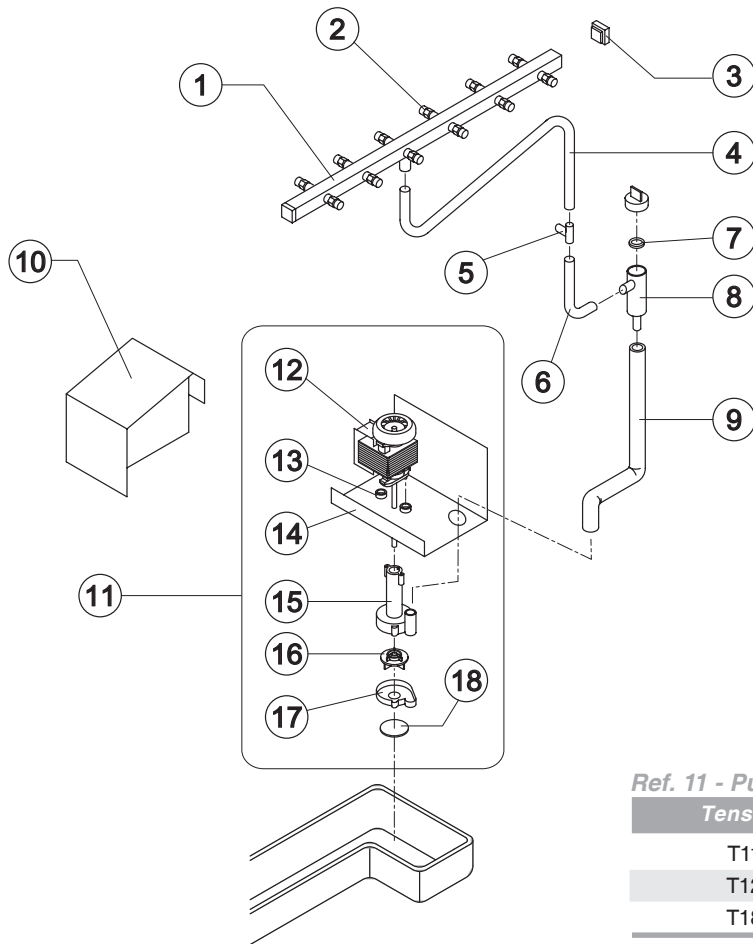




VM 900

From s/n. 141196 Till s/n. 297565

SPRAYER PUMP



Ref.	Spare Description	Code	
1	Sprayers Bar Assembly	C20617	
2	Sprayer	D20463	
3	Sprayers Bar Plug	10012	
4	Sprinkler Ba Connection Pipe ("T" Shaped)	13134	
5	Plastic "T" ø 20	10082	
6	Sprayers Feeding Pipe	13005	
7	Pump Filter Gasket	13080	
8	Pump Filter	10139	
9	"T" - Pump Connection Pipe	13157	
10	Protection Pump Panel	22804	
11	Pump Assembly	See Table	-
12	Pump	See Table	-
13	Pump Motor Shim		20510
14	Pump Motor Support		22799
15	Pump Body		10065
16	Pump Impeller	See Table	-
17	Diffusor		10067
18	Pump Filter		20518

Ref. 11 - Pump Assembly

Tension	Code
T11	C23626
T12	C23627
T18	C23627

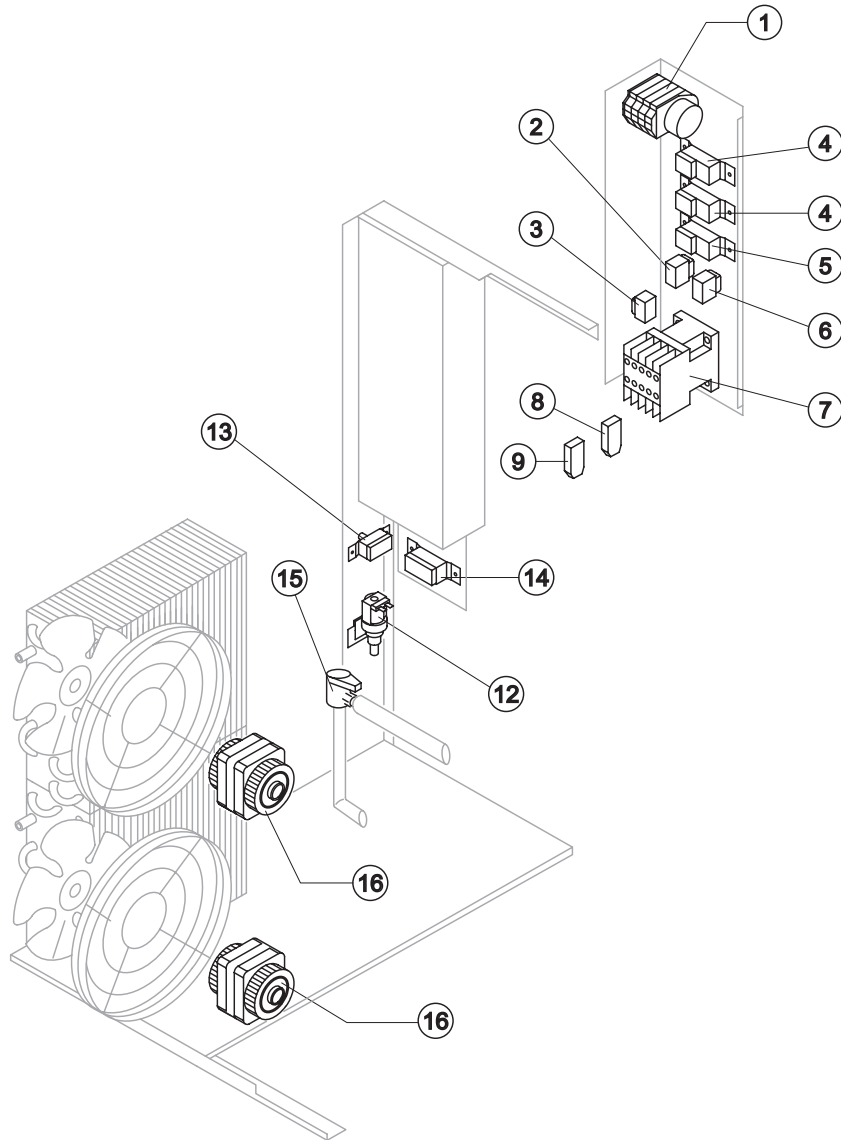
Ref. 12 - Pump

Tension	Code
T11	23600
T12	23601
T18	23601

Ref. 16 - Pump Impeller

Tension	Code
T11	10066
T12	10138
T18	10138

Rev. 6 - 25/05/2009



Common Parts

Ref.	Spare Description	Code
1	Timer	See Table
2	Light Switch "Economy-Full"	23611
3	"Cleaning" Switch	23619
4	Bin Thermostat	R23005
5	Evaporator Thermostat	R23597
6	Green Light Switch (On-Off)	23327
7	Contactors	23147
12	1 Way- Water Inlet Valve	23623
13	Safety Pressure Switch	23342
15	Water Outlet Valve	23537

Parts for Air-Cooled Version Only

Ref.	Spare Description	Code
8	Anti Radio Interference Filter	Only T11 C23459
9	Anti Radio Interference Filter	Only T11 C23458
14	Condenser Pressure Switch	See Table 23175
16	Fan Motor	23121

Ref. 1 - Timer

Tension	Code
T11	23635
T12	23632
T18	23632

Ref. 14 - Cond. Pressure Switch

Tension	Code
T11	23175
T12	23175
T18	23680